



US00D647018S

(12) **United States Design Patent**
Furst

(10) **Patent No.:** **US D647,018 S**

(45) **Date of Patent:** **** Oct. 18, 2011**

(54) **VEHICLE SIDE SILL**

(75) Inventor: **Michael W. Furst**, Venice, CA (US)

(73) Assignee: **Honda Motor Co., Ltd.**, Tokyo (JP)

(**) Term: **14 Years**

(21) Appl. No.: **29/378,129**

(22) Filed: **Oct. 29, 2010**

(51) **LOC (9) Cl.** **12-08**

(52) **U.S. Cl.** **D12/190**

(58) **Field of Classification Search** D12/190,
D12/400, 90, 91, 92, 199, 197, 86, 171, 169,
D12/163, 110, 114; D11/211, 81, 157, 133,
D11/172; D20/11, 23, 24, 25, 30, 31, 32;
293/102, 115; 40/413, 591, 592; 428/31

See application file for complete search history.

(56) **References Cited**

U.S. PATENT DOCUMENTS

D263,463 S *	3/1982	Durben	D12/190
D444,753 S *	7/2001	Smith et al.	D12/196
D455,990 S *	4/2002	Mobius	D12/196
D478,854 S *	8/2003	Platto et al.	D12/196
D493,758 S *	8/2004	Platto et al.	D12/196
D497,130 S *	10/2004	Perfetti et al.	D12/196

D539,200 S *	3/2007	Chan	D12/190
D584,668 S *	1/2009	Raghavendran et al.	D12/184
D606,472 S *	12/2009	Penders	D12/190
D623,104 S *	9/2010	Akasawa et al.	D12/190
2008/0136216 A1 *	6/2008	Teng	296/193.05
2009/0273197 A1 *	11/2009	Muskos	293/132
2011/0121585 A1 *	5/2011	Loveborn	293/102

* cited by examiner

Primary Examiner — Richard E Chilcot

Assistant Examiner — Katrina Kile

(74) *Attorney, Agent, or Firm* — Plumsea Law Group, LLC;
Mark E. Duell

(57) **CLAIM**

The ornamental design for a vehicle side sill, as shown and described.

DESCRIPTION

The contents of concurrently filed application Ser. No. 29/378,104 are also hereby incorporated by reference.

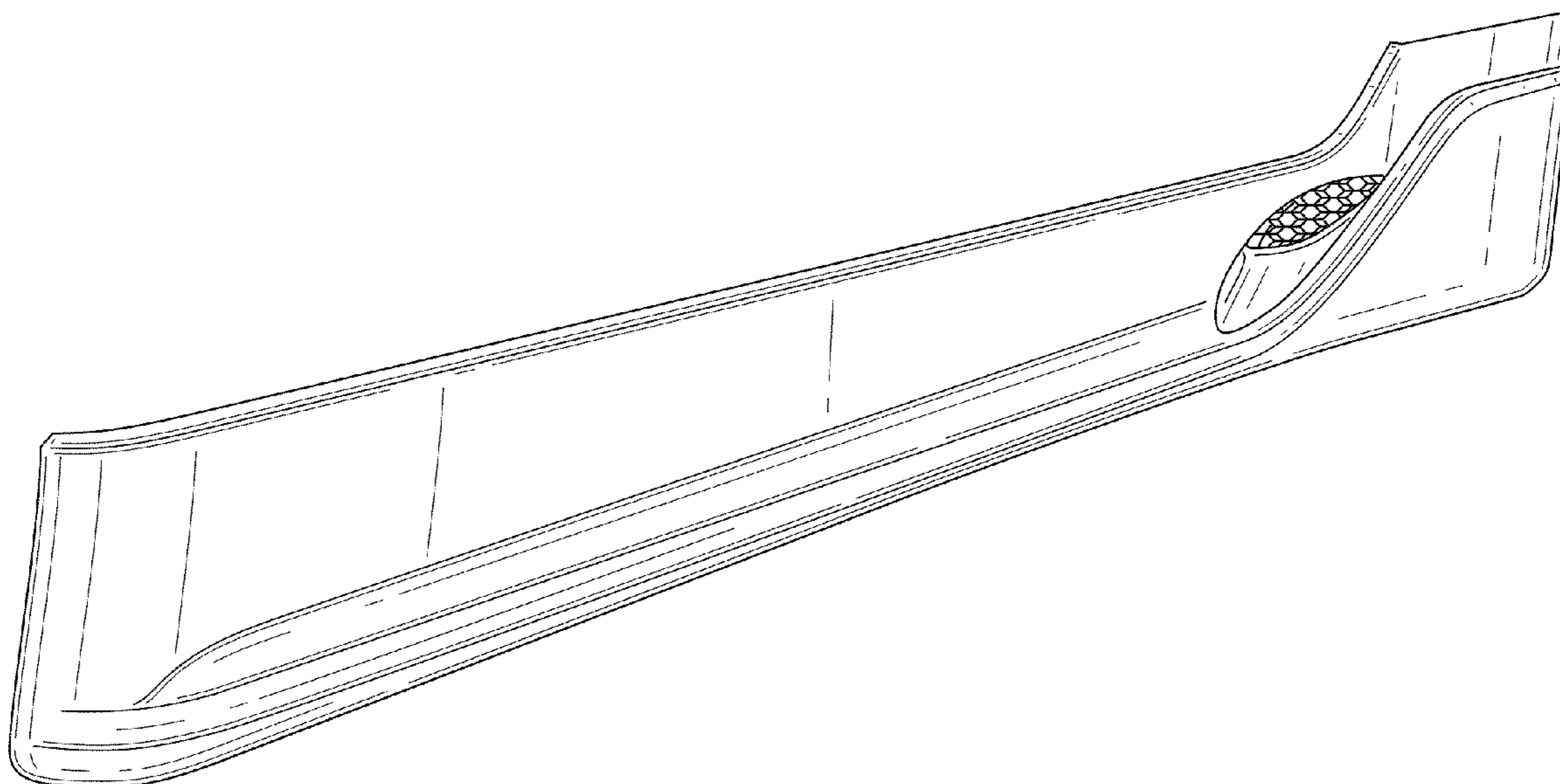
FIG. 1 is a perspective view of a vehicle side sill showing my new design;

FIG. 2 is a side elevational view thereof;

FIG. 3 is a top plan view thereof; and,

FIG. 4 is an end elevational view.

1 Claim, 3 Drawing Sheets



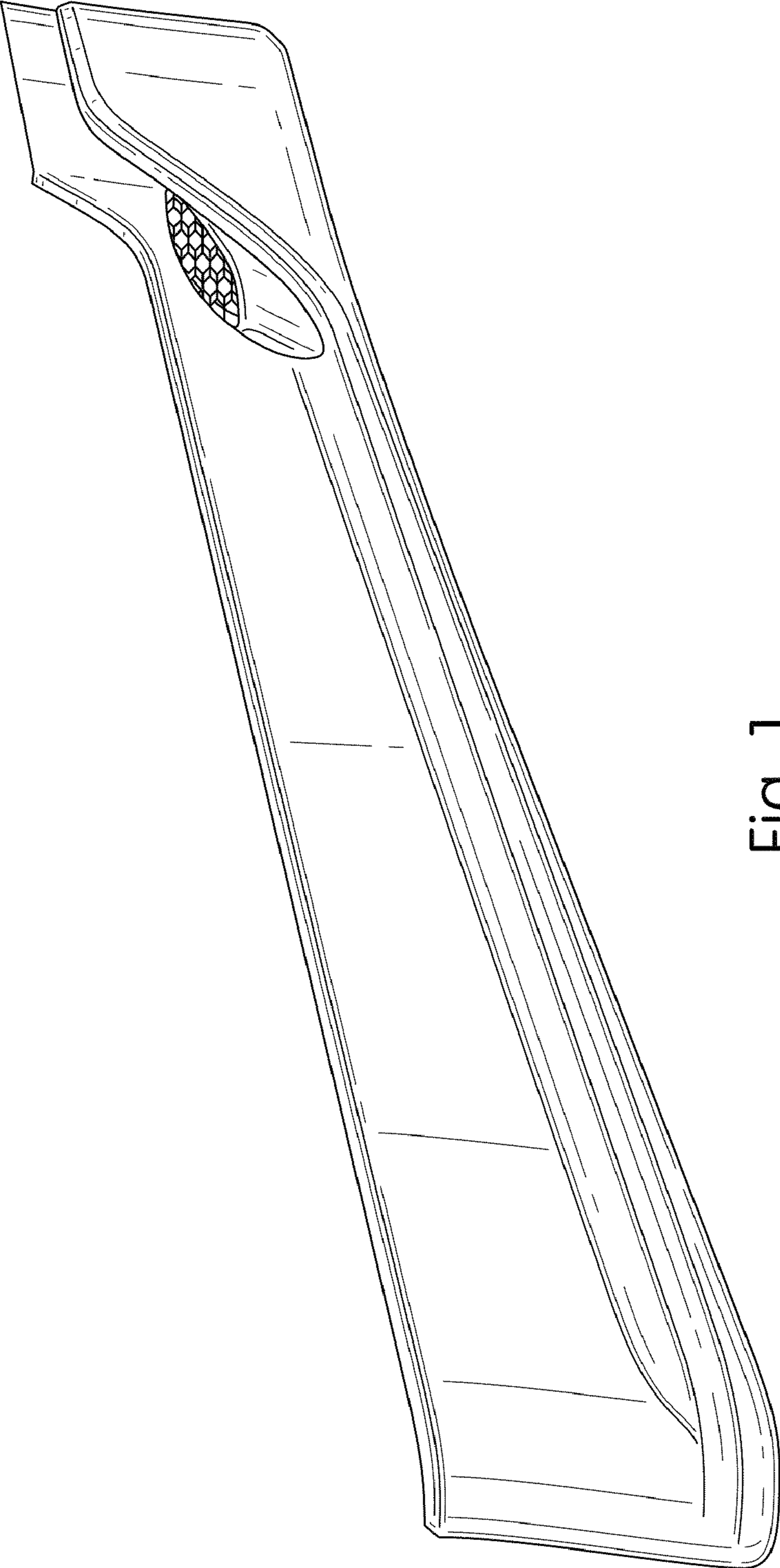


Fig. 1

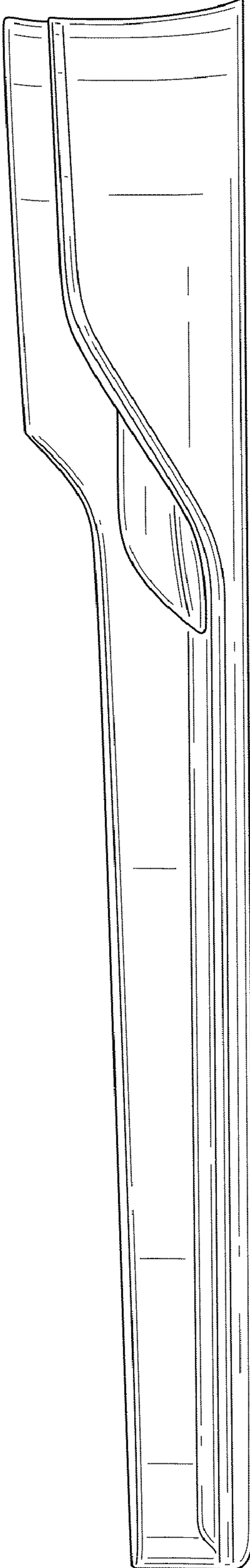


Fig. 2

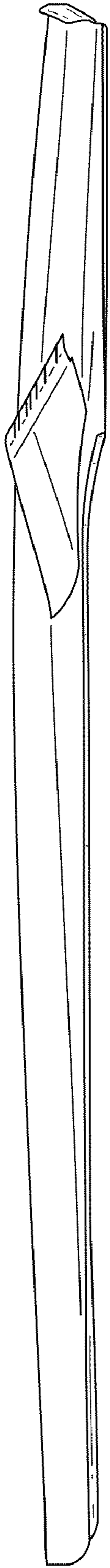


Fig. 3

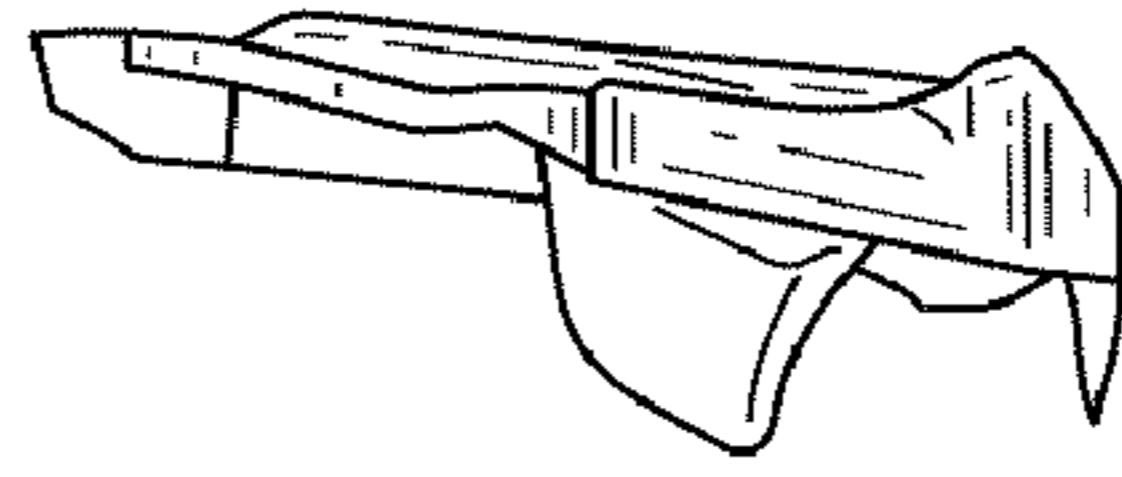


Fig. 4