



US00D647012S

(12) **United States Design Patent**
Beigel et al.

(10) **Patent No.:** **US D647,012 S**
(45) **Date of Patent:** **** Oct. 18, 2011**

(54) **AERODYNAMIC BUMPER OF A TRUCK VEHICLE**

(56) **References Cited**

(75) Inventors: **David J. Beigel**, Payne, OH (US);
Phanidhar Anugonda, Fort Wayne, IN (US);
Scott K. Firman, Howell, MI (US);
Jeffrey S. Gray, Fort Wayne, IN (US);
James L. Hebe, Naperville, IL (US);
Steven A. Oliver, Decatur, IN (US);
Melissa A. Pavlock, Garrett, IN (US);
Jaimi L. Smith, Lake Orion, MI (US);
Tina R. Spielman, Fort Wayne, IN (US)

U.S. PATENT DOCUMENTS

D442,898 S	5/2001	Beigel	
D445,073 S	7/2001	Tirey	
D458,565 S	6/2002	Maher	
D521,912 S	5/2006	Beigel	
D537,389 S	2/2007	Beigel	
D556,649 S	12/2007	Beigel	
D612,778 S	3/2010	Beigel	
D633,419 S *	3/2011	Peltola et al.	D12/169
D634,246 S	3/2011	Aris	

* cited by examiner

Primary Examiner — Melody N Brown

(74) *Attorney, Agent, or Firm* — Jeffrey P. Calfa; Mark C. Bach; Gerald W. Askew

(73) Assignee: **International Truck Intellectual Property Company, LLC**, Warrenville, IL (US)

(57) **CLAIM**

The ornamental design for an aerodynamic bumper of a truck vehicle, as shown and described.

(**) Term: **14 Years**

DESCRIPTION

(21) Appl. No.: **29/386,190**

FIG. 1 is a front and left side perspective view of an aerodynamic bumper of a truck vehicle showing our new design; FIG. 2 is a right side elevation view thereof; FIG. 3 is a left side elevation view thereof; FIG. 4 is a top plan view thereof; FIG. 5 is a front elevation view thereof; and, FIG. 6 is a bottom plan view thereof.

(22) Filed: **Feb. 25, 2011**

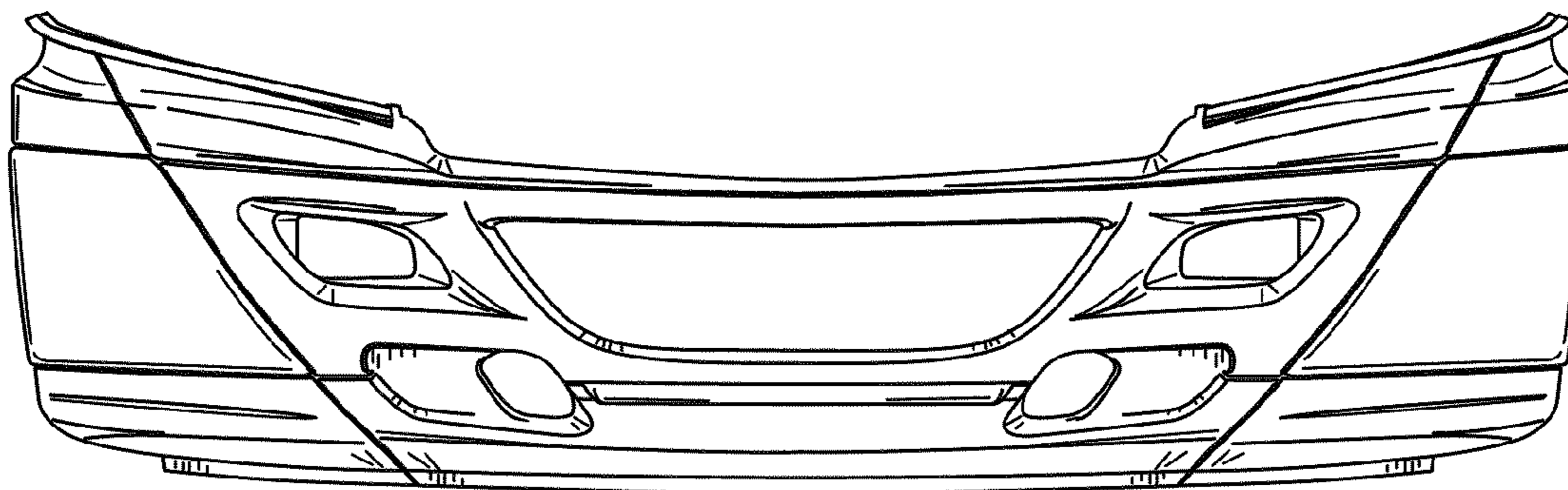
(51) **LOC (9) Cl.** **12-16**

(52) **U.S. Cl.** **D12/169**

(58) **Field of Classification Search** D12/169,
D12/196, 171, 216, 163, 86, 90-92; 293/102,
293/113, 115, 117, 120; 296/180.1, 180.2

See application file for complete search history.

1 Claim, 2 Drawing Sheets



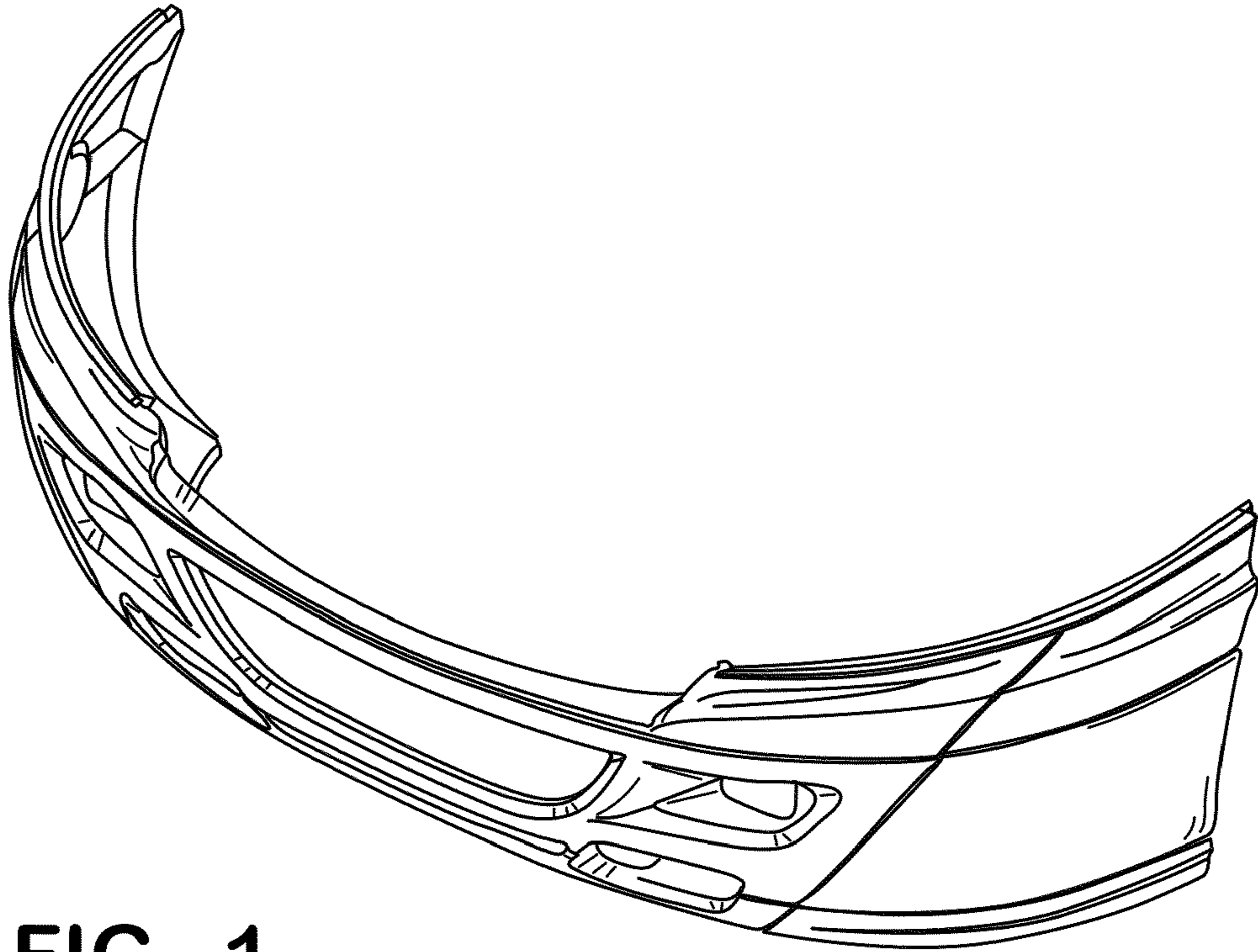


FIG. 1

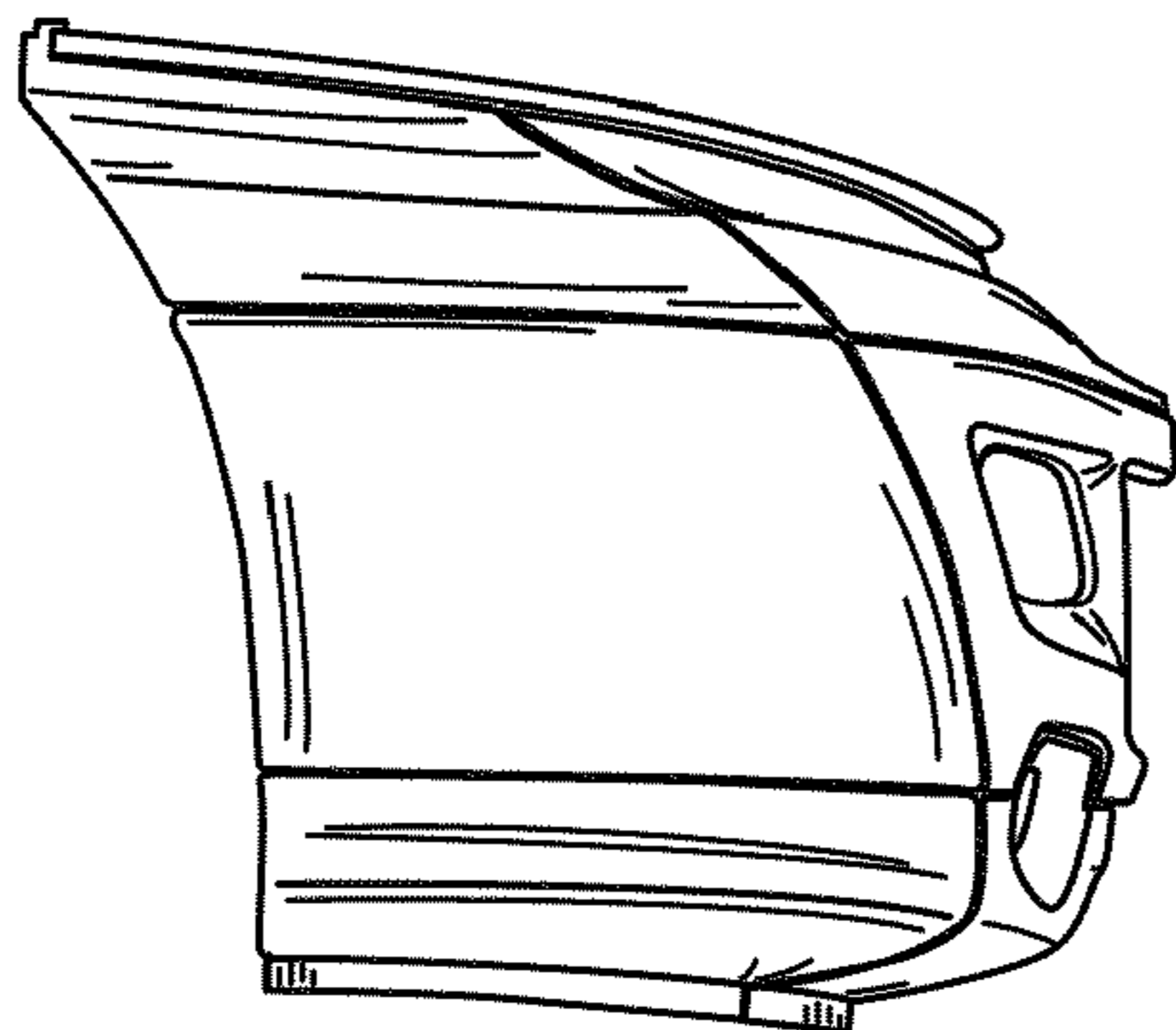


FIG. 2

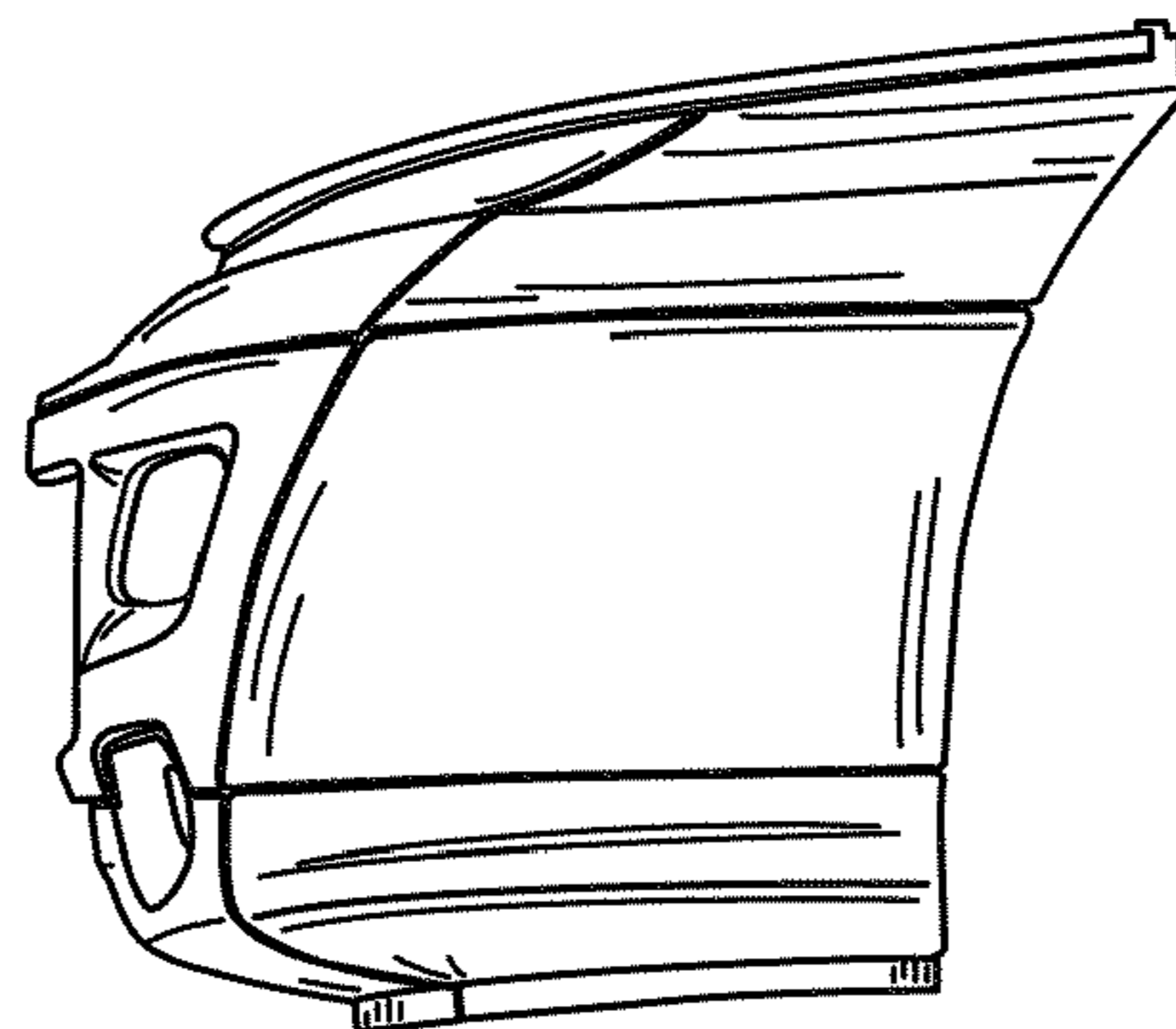


FIG. 3

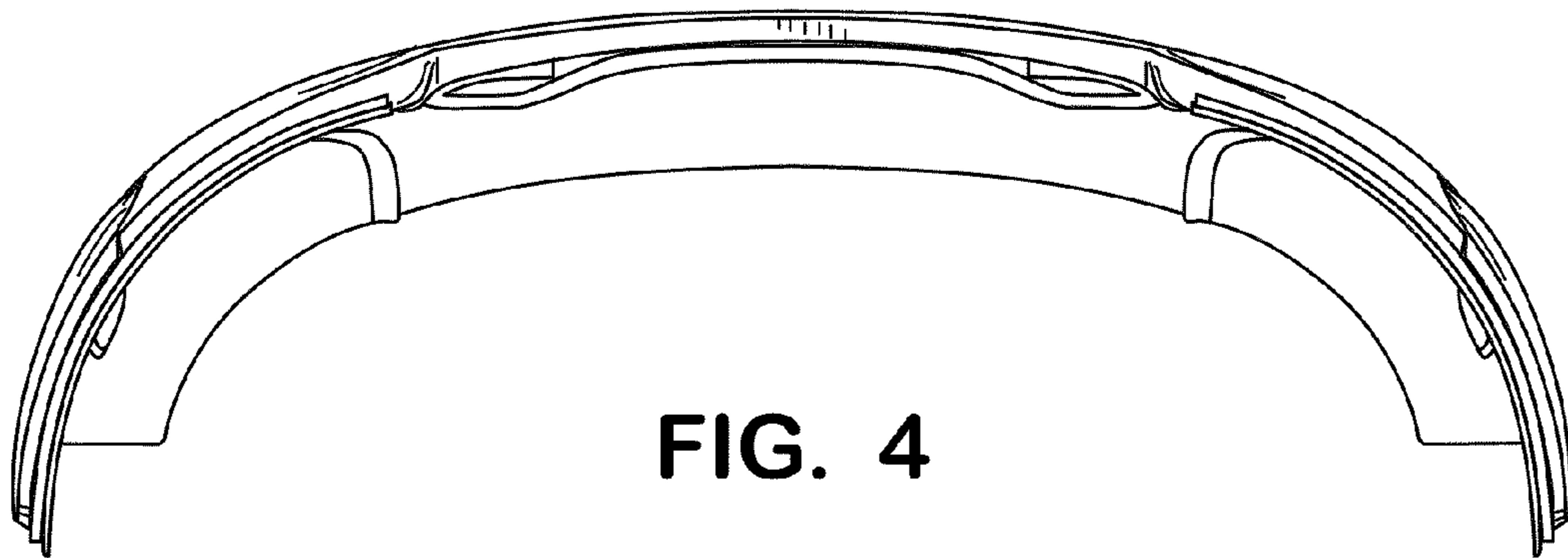


FIG. 4

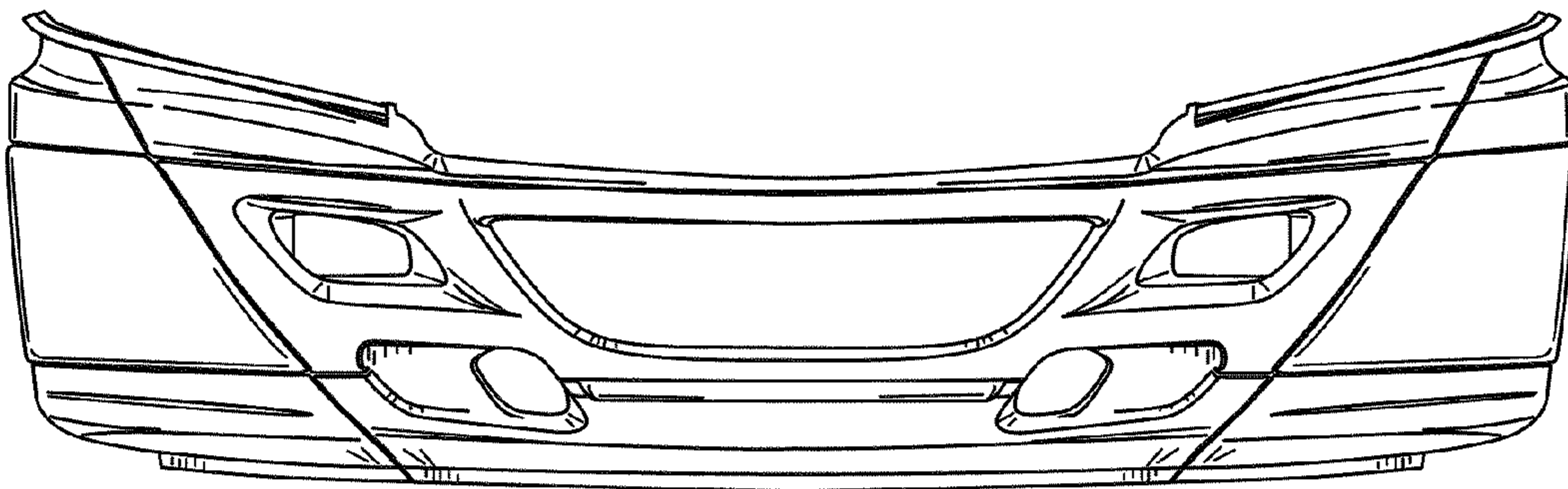


FIG. 5

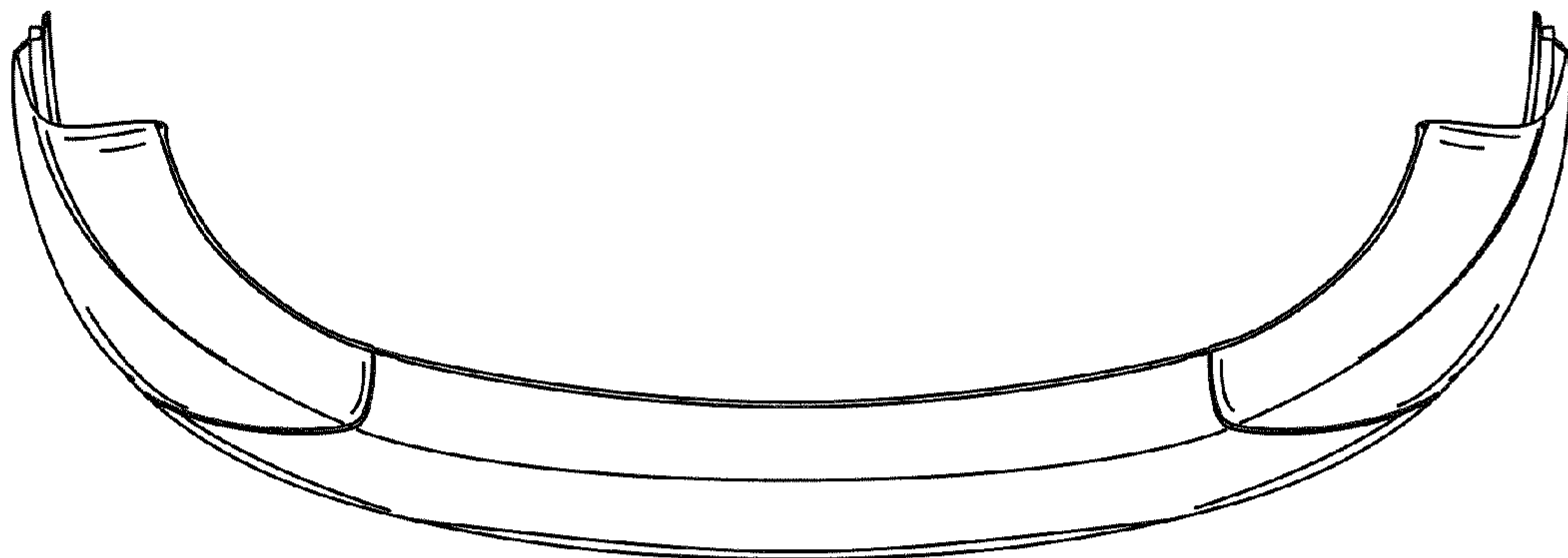


FIG. 6