



US00D647001S

(12) **United States Design Patent**
Rajderkar et al.

(10) **Patent No.:** **US D647,001 S**
(45) **Date of Patent:** **** Oct. 18, 2011**

(54) **PORTION OF AN OFF-HIGHWAY TRUCK**

(75) Inventors: **Aditya V. Rajderkar**, Decatur, IL (US);
Sarath B. Chirumamila, Decatur, IL (US)

(73) Assignee: **Caterpillar Inc.**, Peoria, IL (US)

(**) Term: **14 Years**

(21) Appl. No.: **29/381,471**

(22) Filed: **Dec. 20, 2010**

(51) **LOC (9) Cl.** **08-10**

(52) **U.S. Cl.** **D12/15; D15/10**

(58) **Field of Classification Search** D15/10,
D15/21, 22, 30, 33; D12/1, 5, 14, 15, 22,
D12/93, 96, 196; D21/554; 180/24.08, 22;
280/781, 124, 132, 136; 296/183.2; 298/17 R,
298/22 P; 414/245, 685, 688, 722, 724, 493;
37/403, 413, 442, 443, 412

See application file for complete search history.

(56) **References Cited**

U.S. PATENT DOCUMENTS

D184,217 S *	1/1959	Erlacher et al.	D12/15
D235,528 S *	6/1975	Ahola et al.	D12/15
D240,613 S *	7/1976	Thomas et al.	D12/15
D272,071 S	1/1984	Baconet et al.		
4,531,781 A	7/1985	Hunt et al.		
D289,069 S *	3/1987	Ohno	D21/580
4,684,152 A	8/1987	Goodbary et al.		
5,520,442 A	5/1996	Kisami et al.		
D440,261 S *	4/2001	Wei	D21/554
D465,499 S *	11/2002	Briggs et al.	D15/30

7,100,256 B2	9/2006	D'Amico et al.
D559,869 S	1/2008	Kelley et al.
D578,038 S	10/2008	Kelley et al.
D578,435 S	10/2008	Bryant et al.
D580,300 S	11/2008	Bryant et al.
D587,169 S	2/2009	Kelley et al.
D588,956 S	3/2009	Kelley et al.
D590,745 S	4/2009	Bryant et al.
D594,382 S	6/2009	Bryant et al.
D596,076 S	7/2009	Kelley et al.
D596,077 S	7/2009	Bryant et al.
D597,106 S	7/2009	Kelley et al.

* cited by examiner

Primary Examiner — Mark Goodwin

(74) *Attorney, Agent, or Firm* — Derel Monteith

(57) **CLAIM**

The ornamental design for a portion of an off-highway truck, as shown and described.

DESCRIPTION

FIG. 1 is a right front perspective view of a portion of an off-highway truck showing our new design in use condition; FIG. 2 is a left front perspective view thereof; FIG. 3 is a left side view thereof; FIG. 4 is a right side view thereof; and, FIG. 5 is a front view thereof.

The top view, the bottom view, and the rear view do not form part of the claimed design and therefore are not disclosed. The elements depicted in dashed lines form no part of the ornamental design.

1 Claim, 5 Drawing Sheets

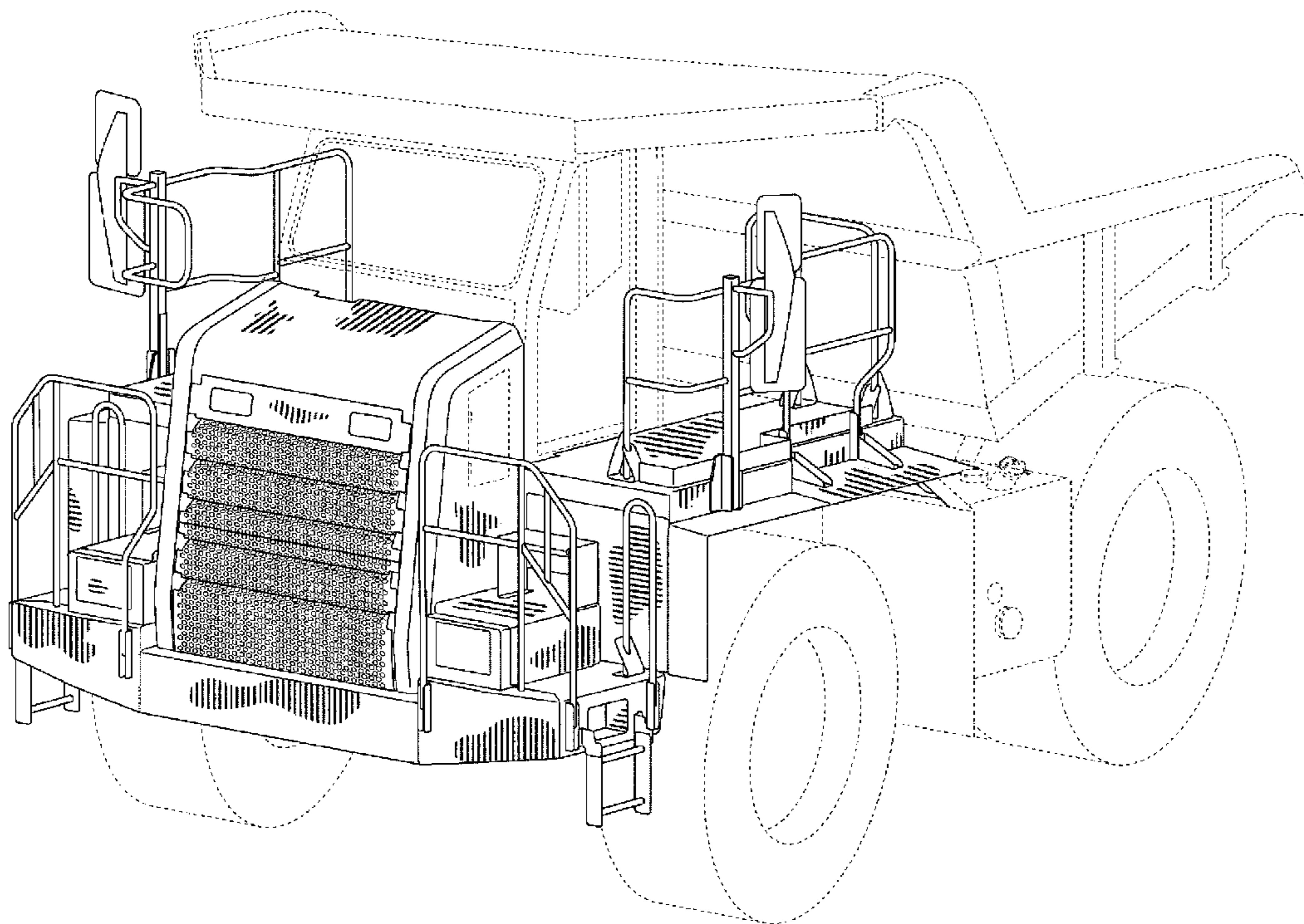


FIG. 1

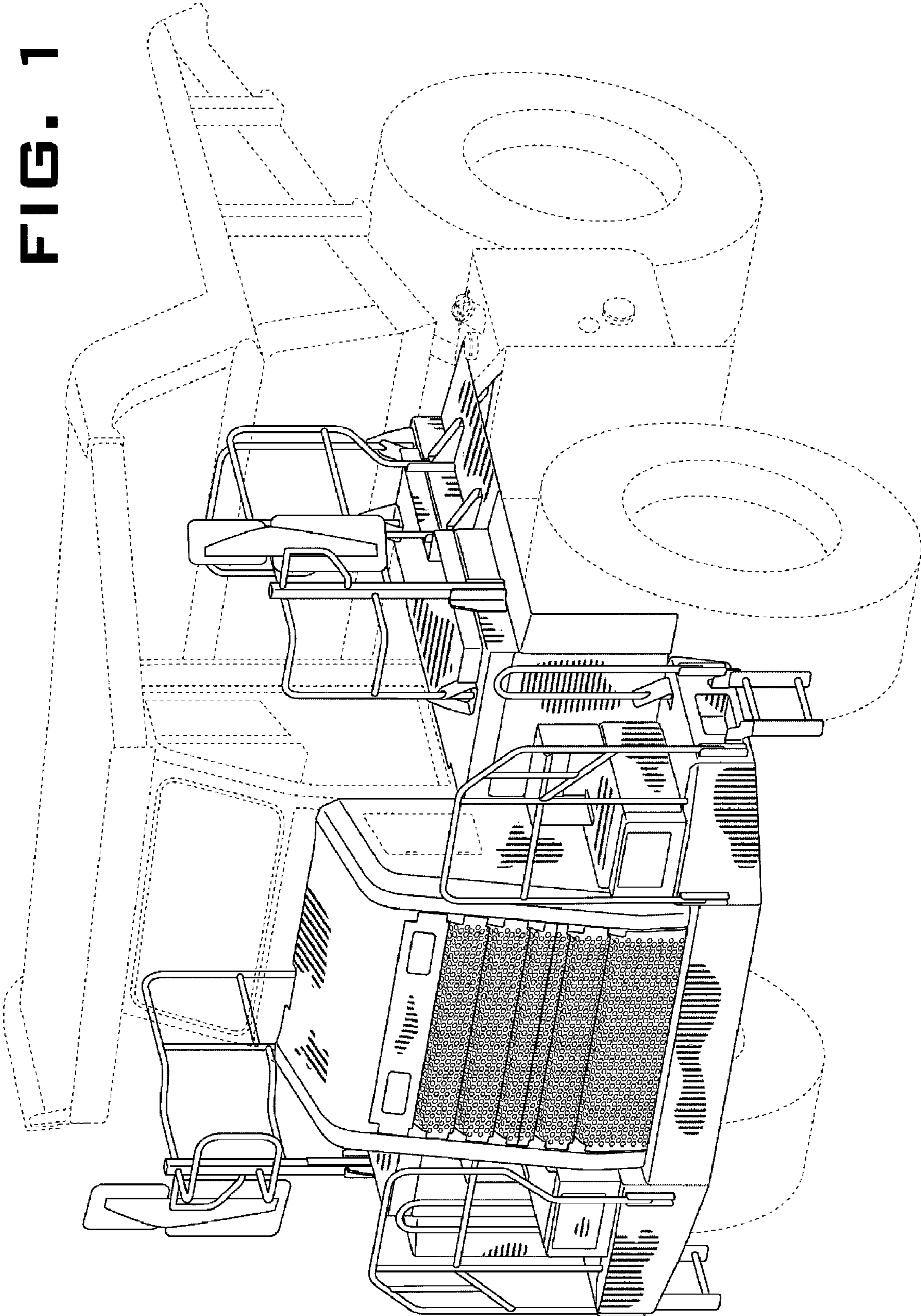


FIG. 2

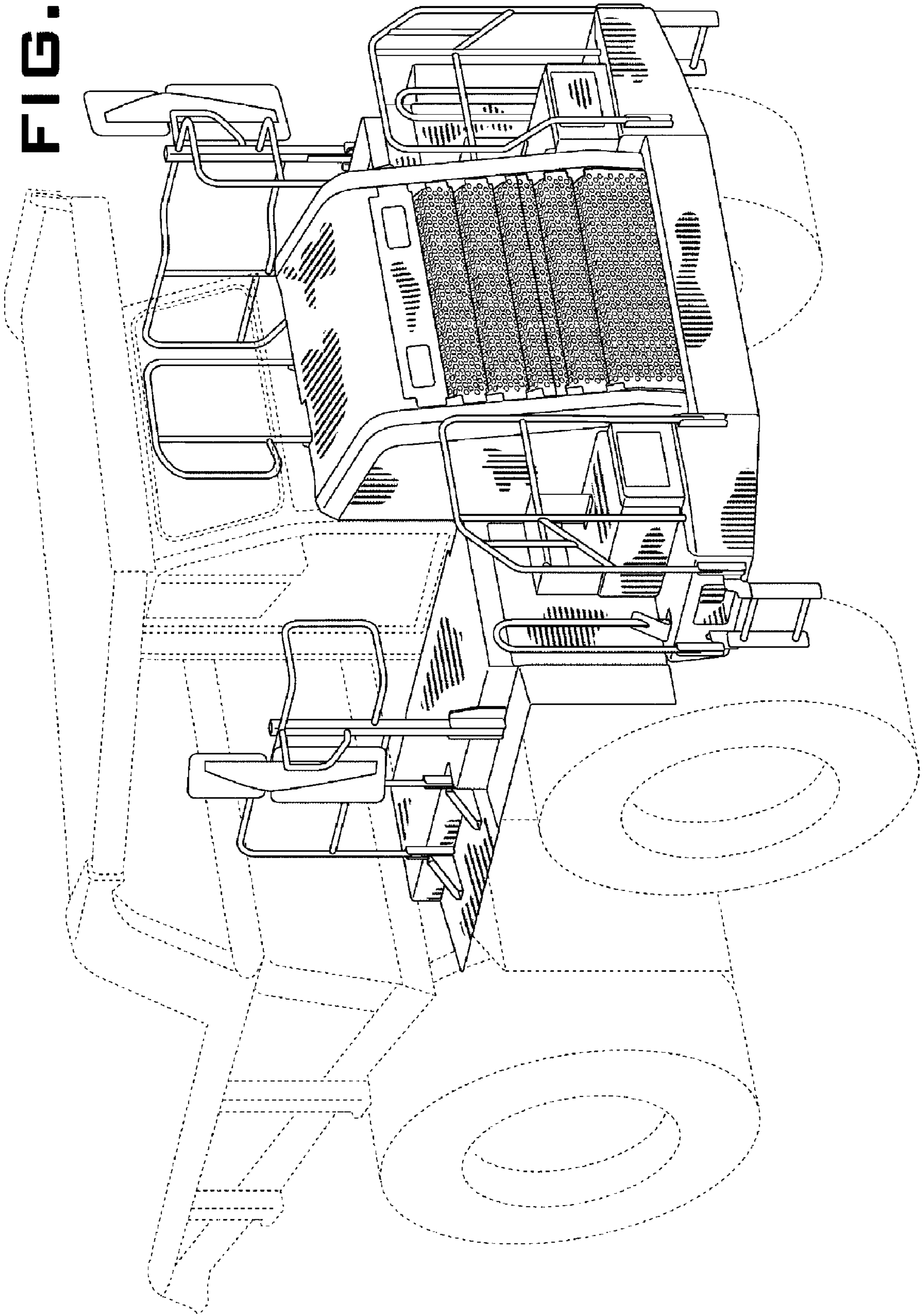


FIG. 3

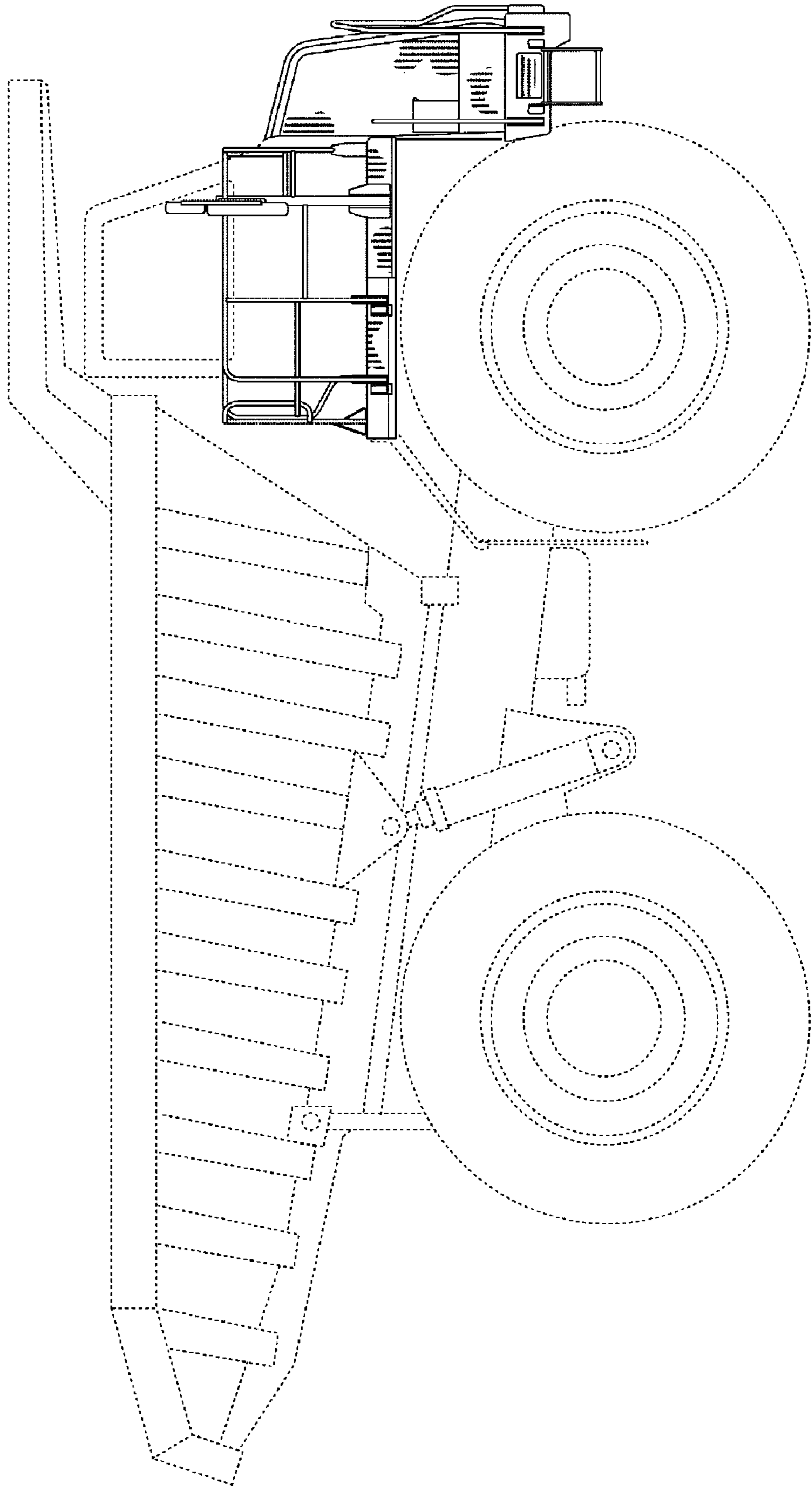


FIG. 4

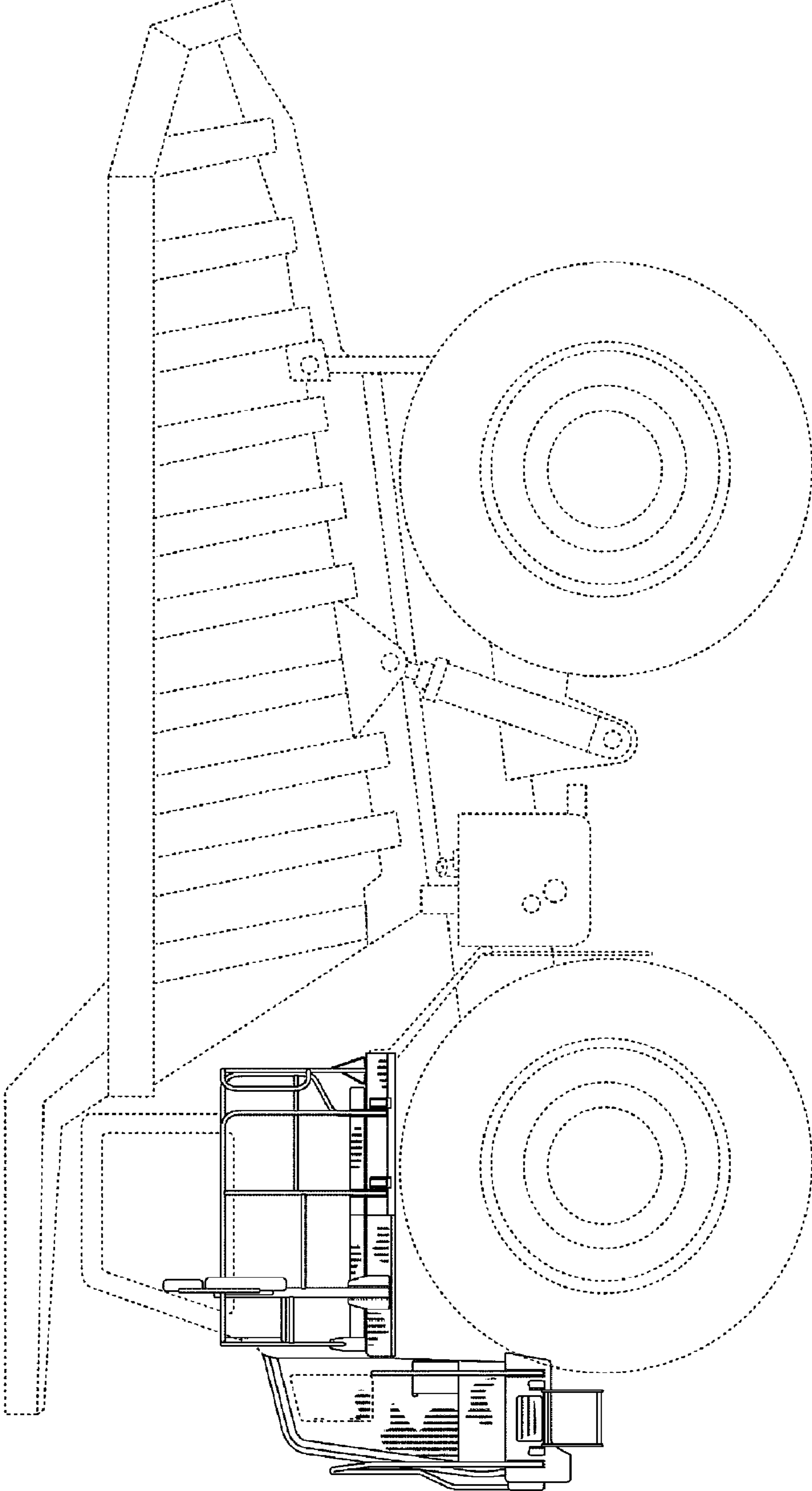


FIG. 5

