



US00D647000S

(12) **United States Design Patent**
Kerker

(10) **Patent No.:** **US D647,000 S**
(45) **Date of Patent:** **** Oct. 18, 2011**

(54) **CLASP FOR BANDS**

(75) Inventor: **Markus Kerker**, Pörschach (AT)

(73) Assignee: **Hirsch Armbänder GmbH**, Klagenfurt (AT)

(**) Term: **14 Years**

(21) Appl. No.: **29/383,767**

(22) Filed: **Jan. 21, 2011**

(30) **Foreign Application Priority Data**

Jul. 26, 2010 (EM) 001226617-0001

(51) **LOC (9) Cl.** **02-07**

(52) **U.S. Cl.** **D11/234**

(58) **Field of Classification Search** D11/2,
D11/3, 86-87, 200-237; D2/625-629, 632-635,
D2/946, 976; 24/614, 625, 650, 199-200,
24/170, 30.5 R, 318; 224/163

See application file for complete search history.

(56) **References Cited**

U.S. PATENT DOCUMENTS

D289,623 S *	5/1987	Inoue et al.	D11/230
D290,589 S *	6/1987	Watanabe	D11/234
D416,828 S *	11/1999	Hwang	D11/237
D479,489 S *	9/2003	Calvani	D11/234
D479,812 S *	9/2003	Calvani	D11/234
D480,989 S *	10/2003	Modolo	D11/234
D523,377 S *	6/2006	Mouquet	D11/234
D525,907 S *	8/2006	Mouquet	D11/234
D536,281 S *	2/2007	Mouquet	D11/234

D543,488 S *	5/2007	Tobergte	D11/234
D571,550 S *	6/2008	Valle	D2/976
D578,933 S *	10/2008	Brown	D11/231
D579,819 S *	11/2008	Brown	D11/231
D579,820 S *	11/2008	Brown	D11/231
D580,814 S *	11/2008	Beizer	D11/87
D593,449 S *	6/2009	Bulgari	D11/200
D611,383 S	3/2010	Wolfgang		
D611,873 S	3/2010	Wolfgang		
D619,928 S *	7/2010	Bodino et al.	D11/87
D628,511 S	12/2010	Wolfgang		
D637,519 S *	5/2011	Coffman	D11/234

* cited by examiner

Primary Examiner — T. Chase Nelson

Assistant Examiner — Mark Cavanna

(74) *Attorney, Agent, or Firm* — Dickstein Shapiro LLP

(57) **CLAIM**

The ornamental design for a clasp for bands, as shown and described.

DESCRIPTION

FIG. 1 is a top perspective view of a clasp for bands showing the clasp of the present invention;

FIG. 2 is a bottom perspective view thereof;

FIG. 3 is a top view thereof;

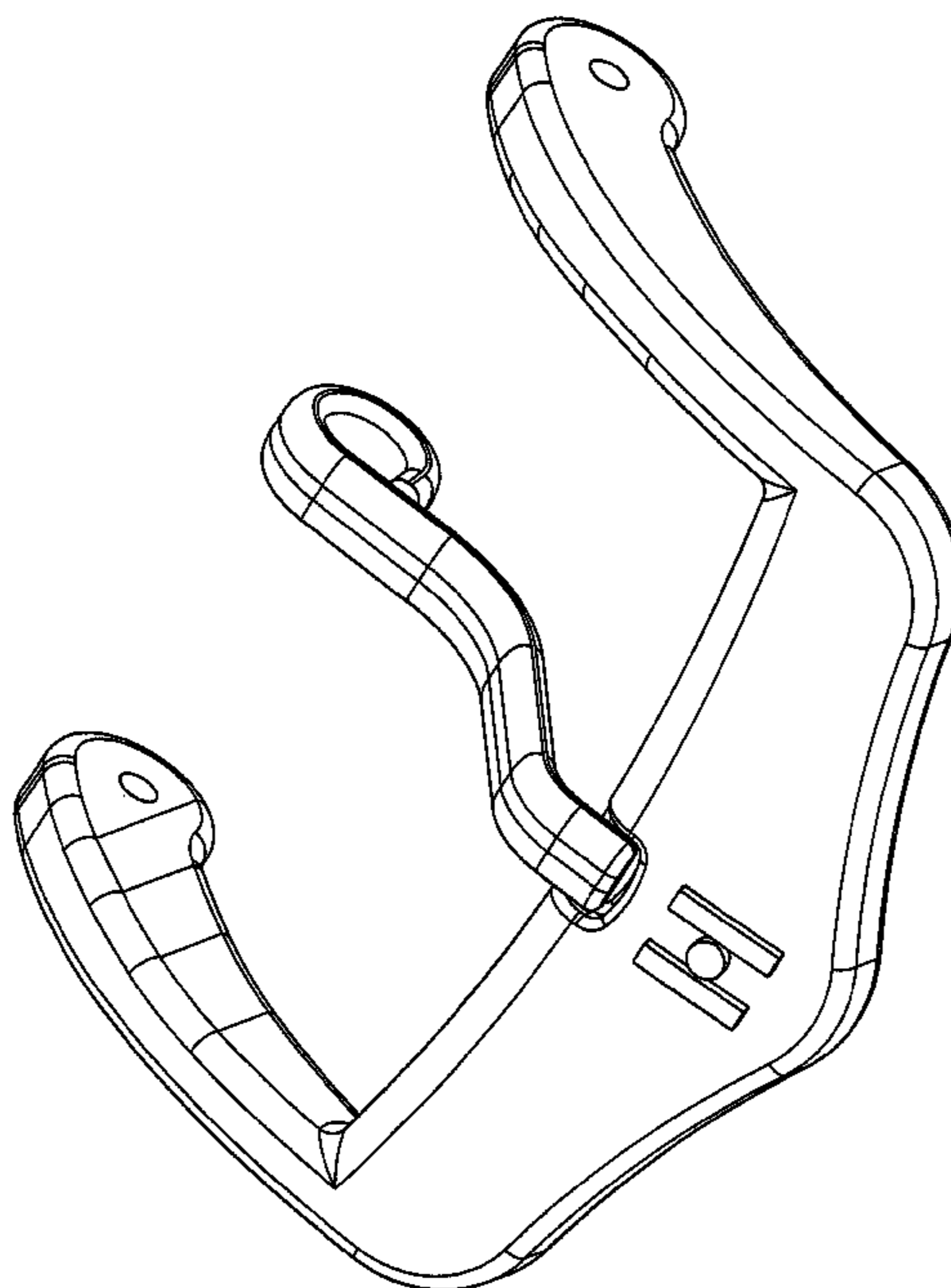
FIG. 4 is a bottom view thereof;

FIG. 5 is a front view thereof;

FIG. 6 is a side view thereof; the opposite side being a mirror image; and,

FIG. 7 is a rear view thereof.

1 Claim, 7 Drawing Sheets



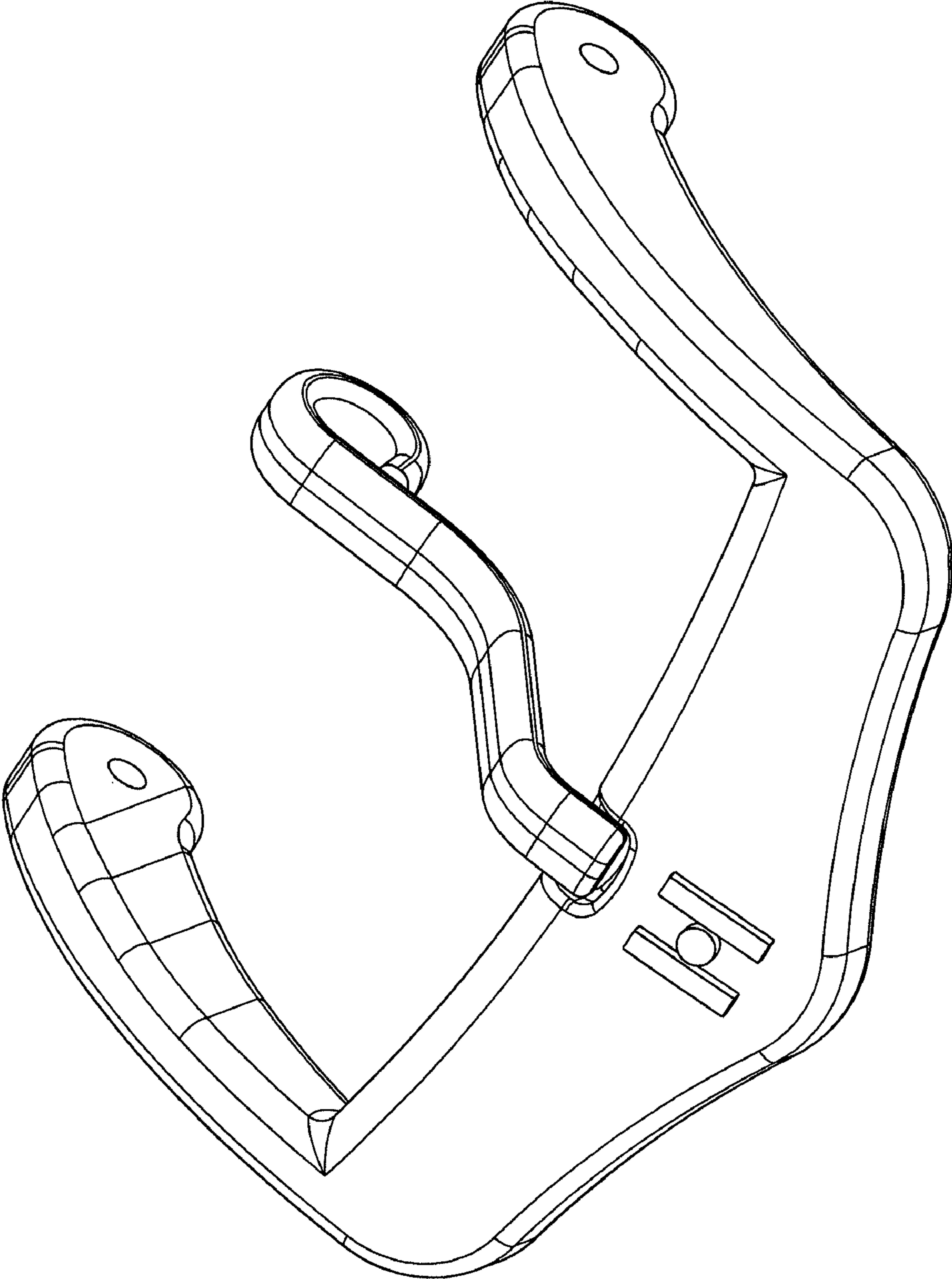


FIG. 1

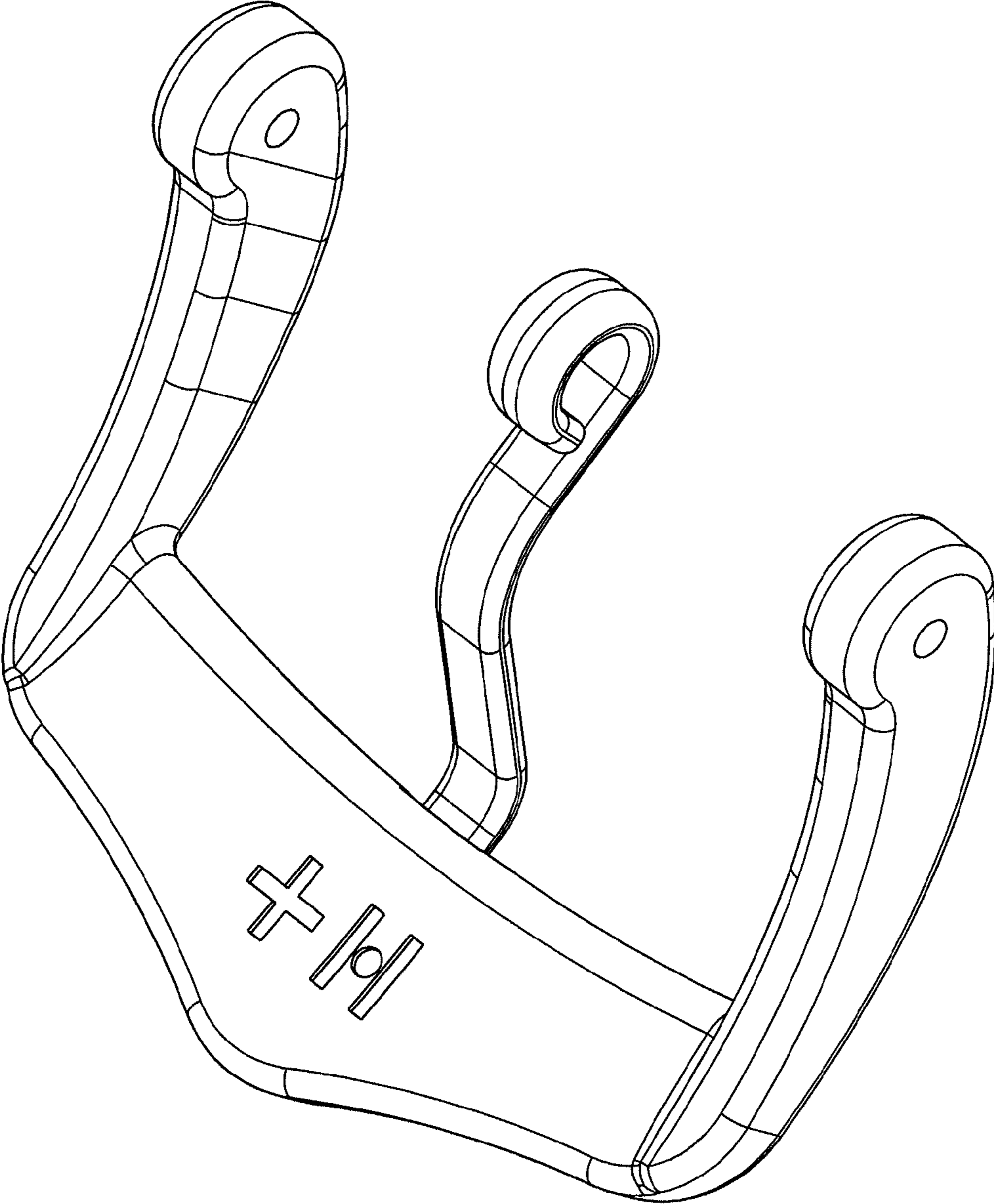


FIG. 2

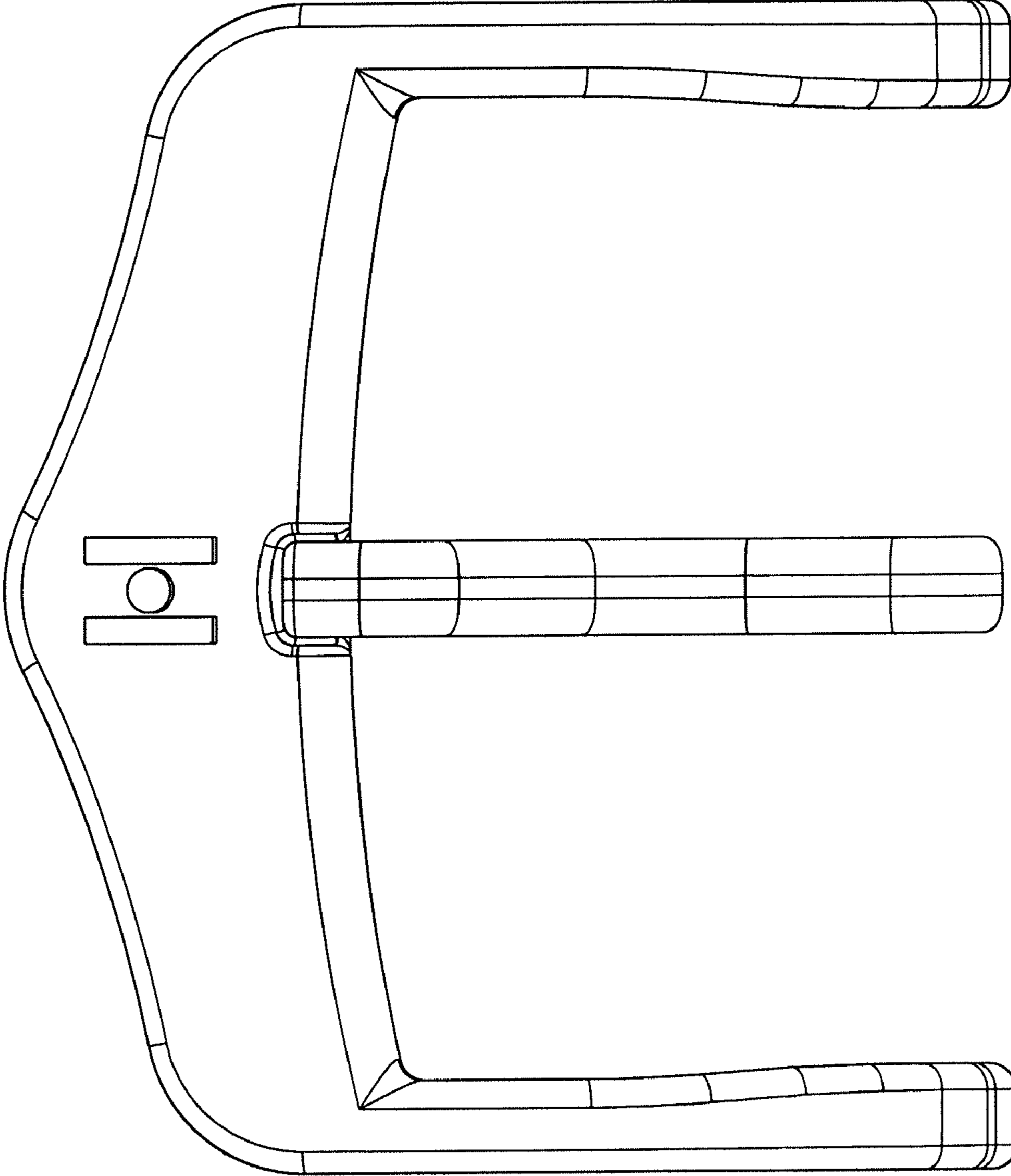


FIG. 3

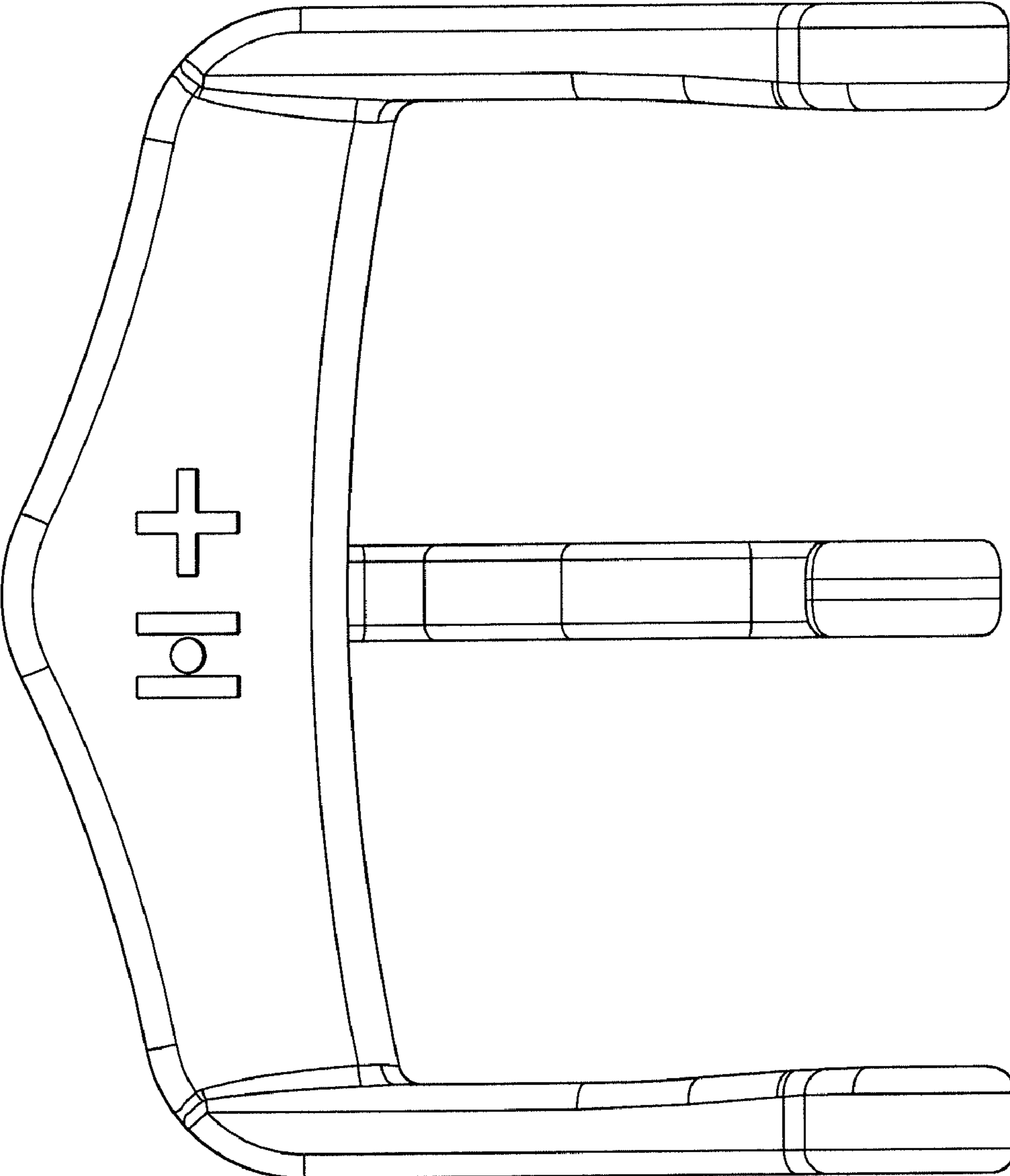


FIG. 4

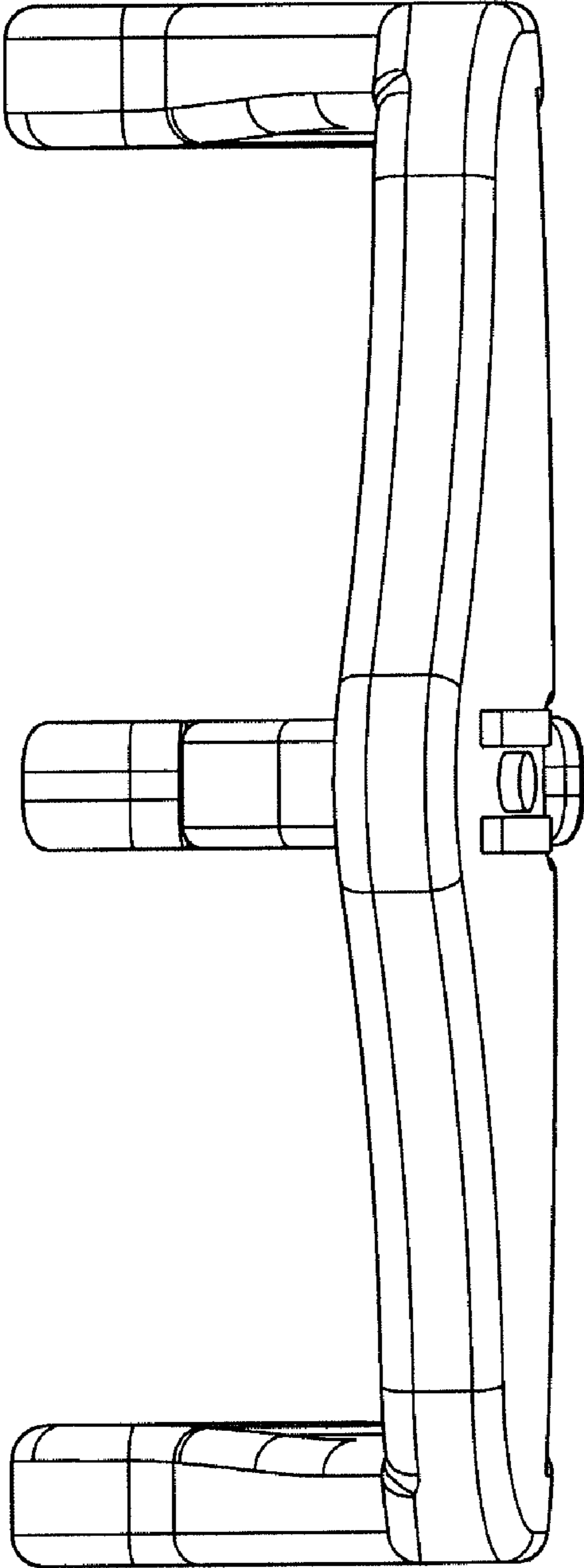


FIG. 5

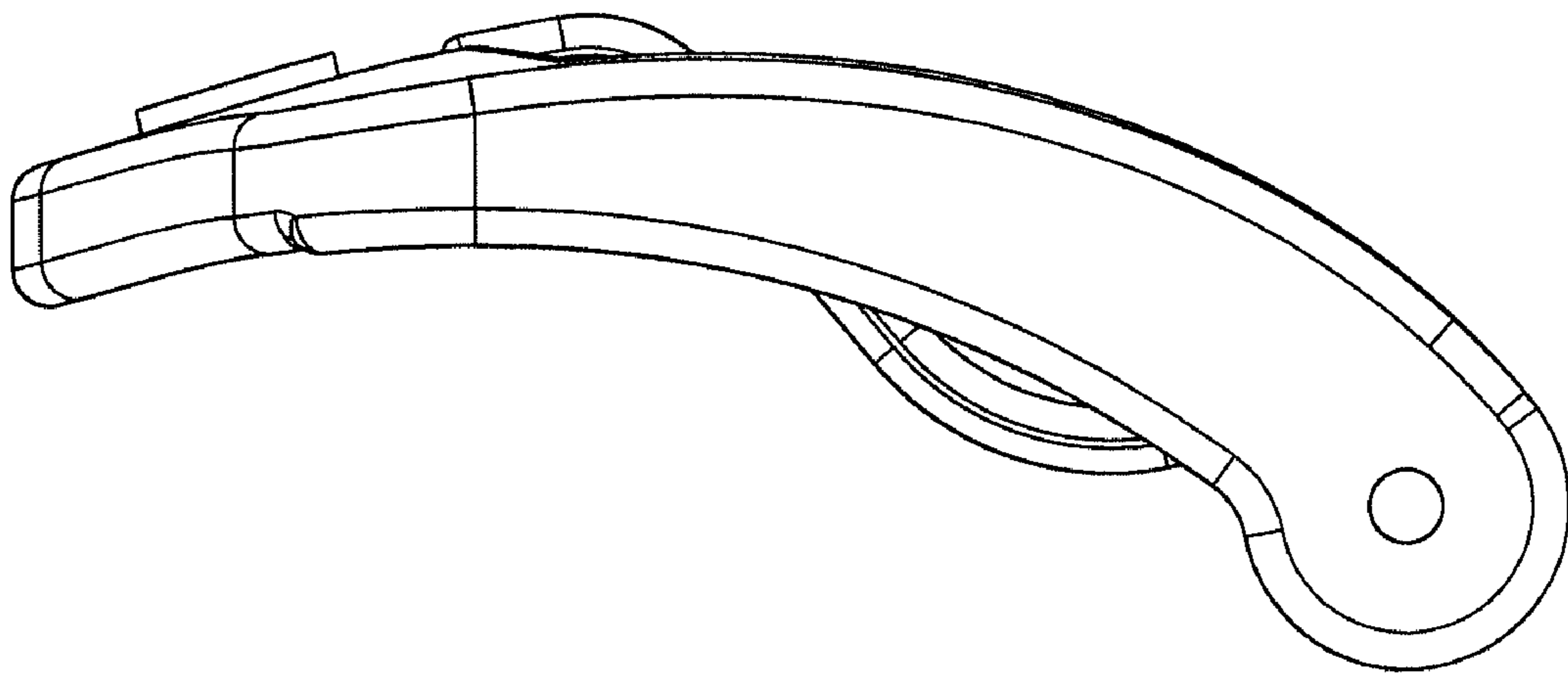


FIG. 6

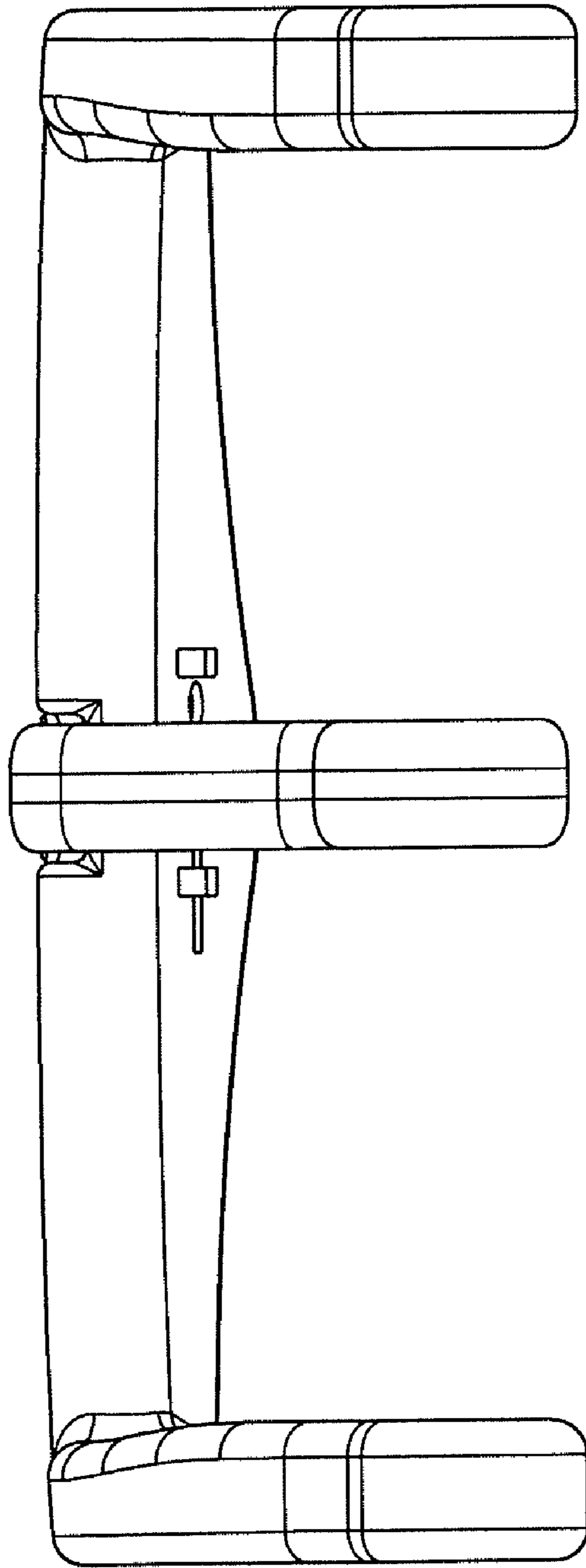


FIG. 7