



US00D646992S

(12) **United States Design Patent**
Tuli

(10) **Patent No.:** **US D646,992 S**

(45) **Date of Patent:** **** Oct. 18, 2011**

(54) **LASER LEVEL**

D597,872 S * 8/2009 Gofer D10/69
D625,630 S * 10/2010 Levinson D10/69

* cited by examiner

(75) Inventor: **Sanjeev Tuli**, Moonachie, NJ (US)

(73) Assignee: **Style Asia Inc.**, Moonachie, NJ (US)

Primary Examiner — Antoine D Davis

(74) *Attorney, Agent, or Firm* — Galgano & Associates, PLLC; Thomas M. Galgano; Myron Amer

(**) Term: **14 Years**

(57) **CLAIM**

The ornamental design for a laser level, as shown and described.

(21) Appl. No.: **29/370,688**

DESCRIPTION

(22) Filed: **Aug. 23, 2010**

(51) **LOC (9) Cl.** **10-04**

(52) **U.S. Cl.** **D10/69**

(58) **Field of Classification Search** D10/69;
33/365, 366.11–366.27, 367–391

See application file for complete search history.

FIG. 1 is a perspective view of a laser level;

FIG. 2 is a left elevational view thereof;

FIG. 3 is a right elevational view thereof;

FIG. 4 is a top perspective view thereof;

FIG. 5 is a bottom view thereof; and

FIG. 6 is a front view thereof; and,

FIG. 7 is a rear view thereof.

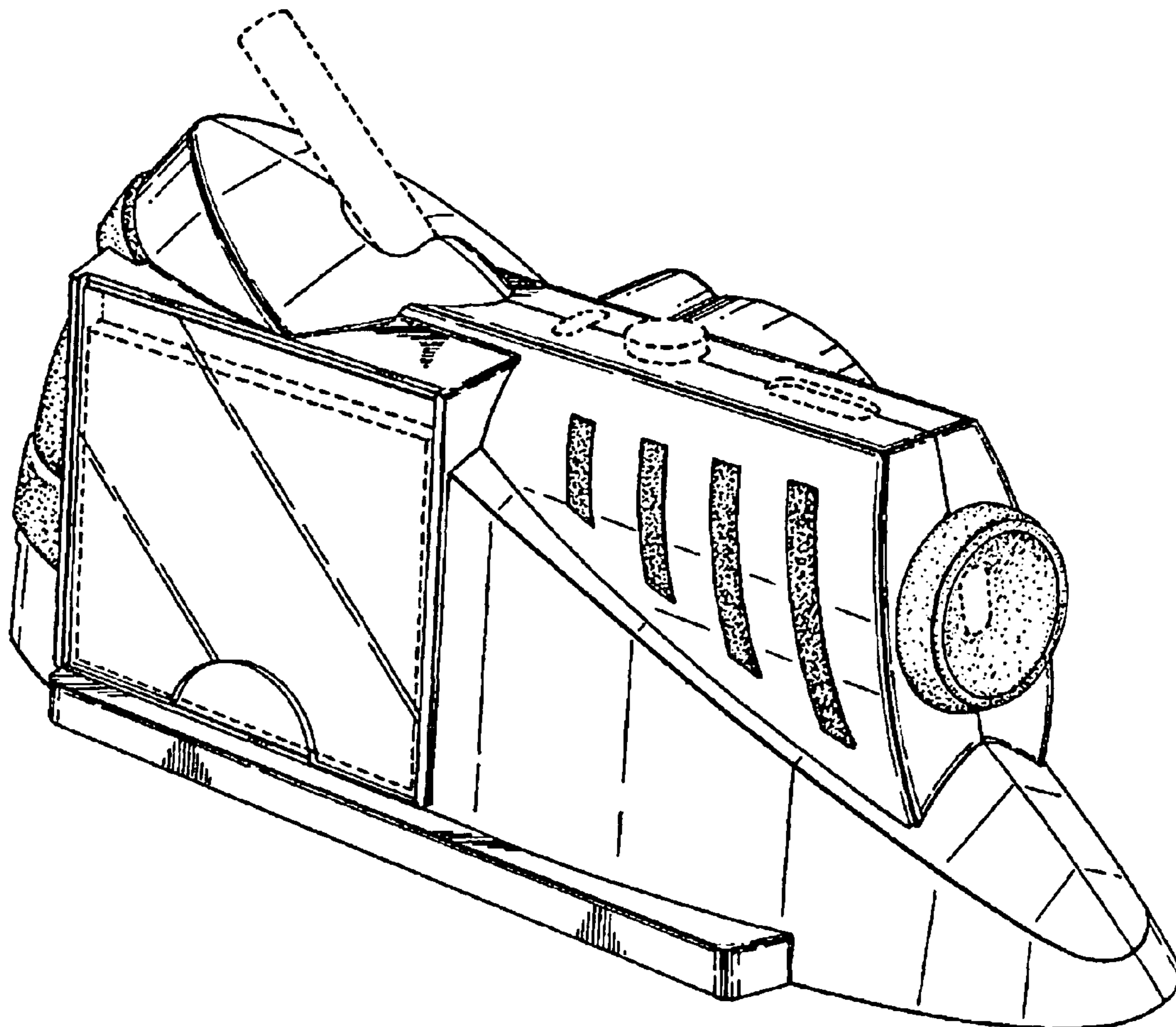
The broken line showing of structural features is included for the purpose of illustrating non-claimed subject matter and forms no part of the claimed design.

(56) **References Cited**

U.S. PATENT DOCUMENTS

D503,635 S * 4/2005 Kallabis D10/69
7,472,487 B2 * 1/2009 Tran et al. 33/379

1 Claim, 4 Drawing Sheets



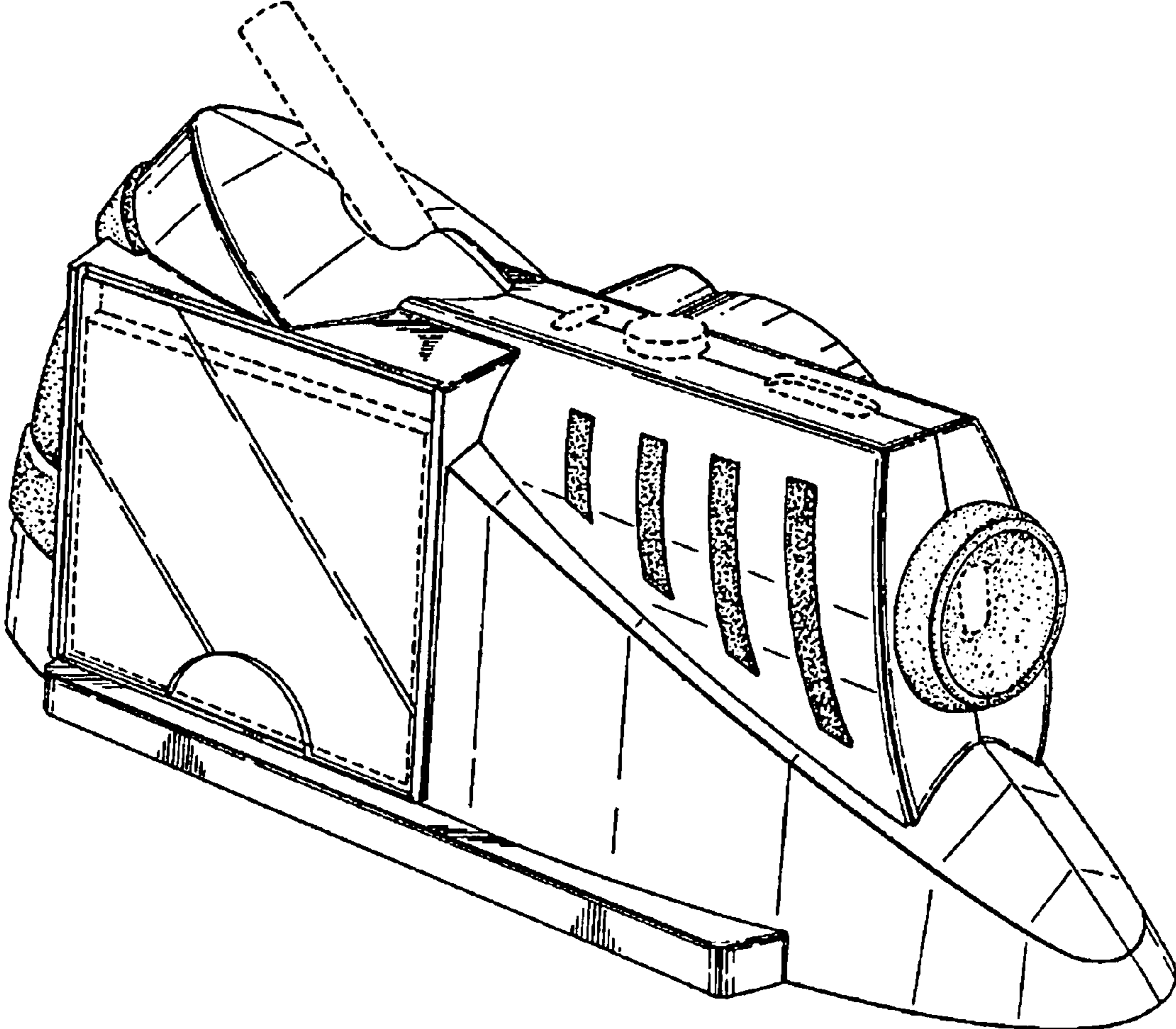


Fig. 1

Fig. 2

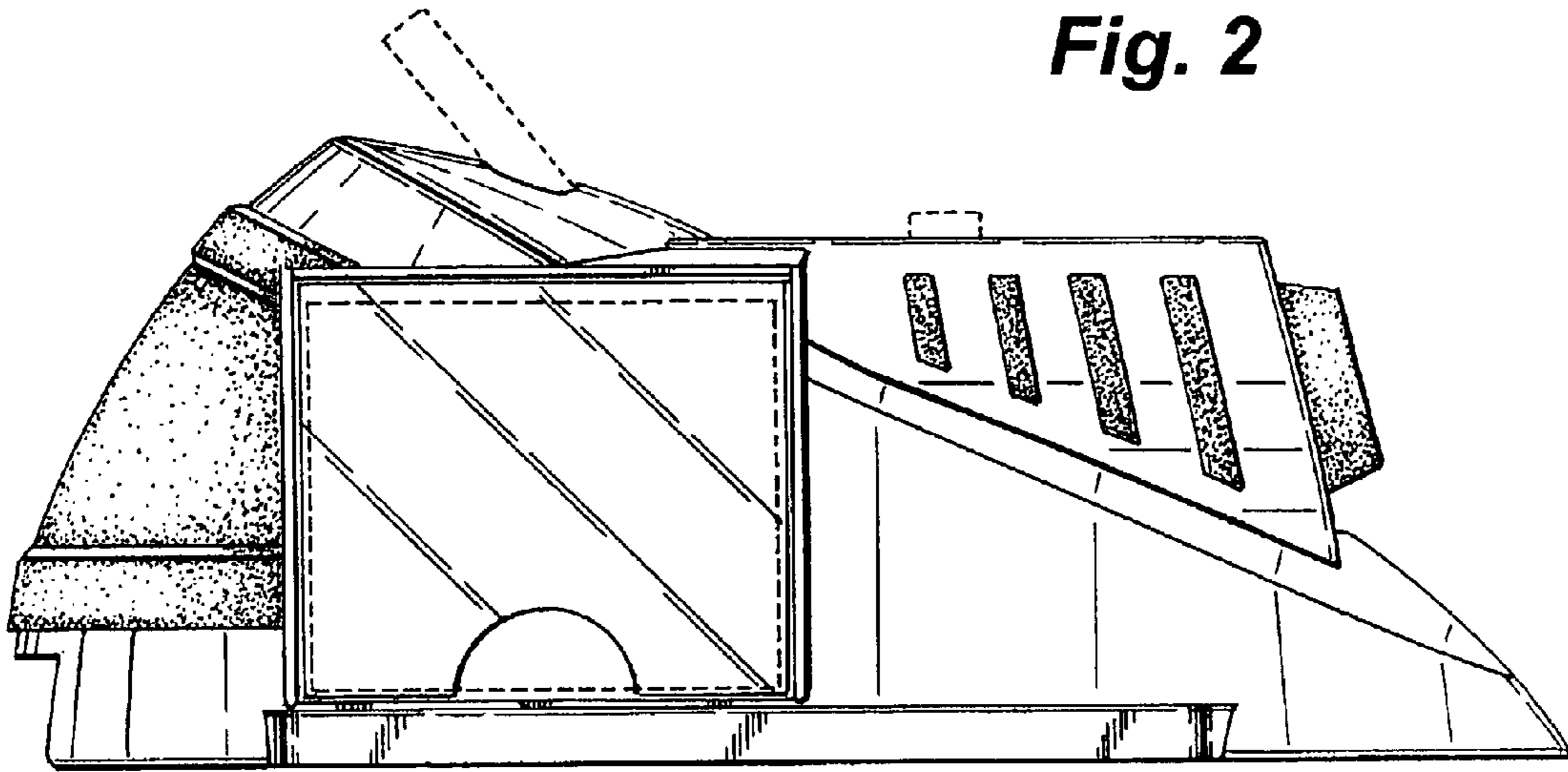
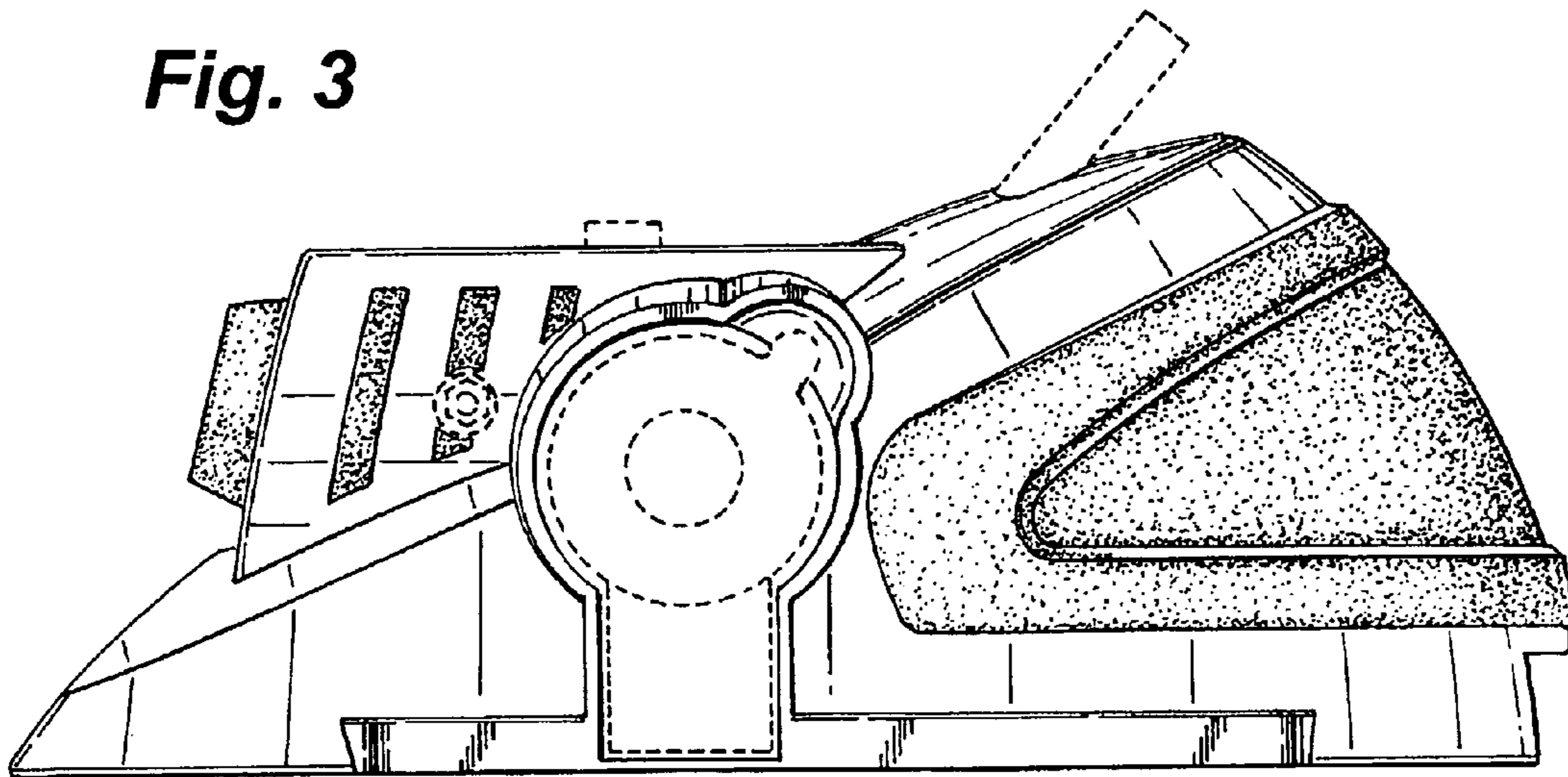


Fig. 3



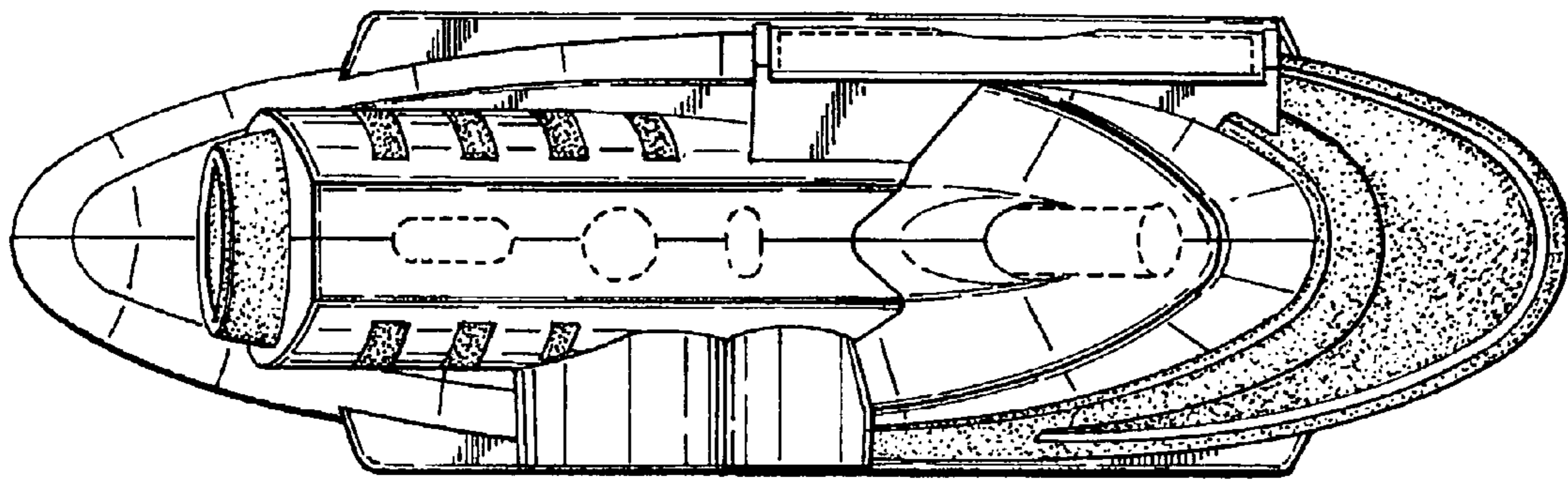


Fig. 4

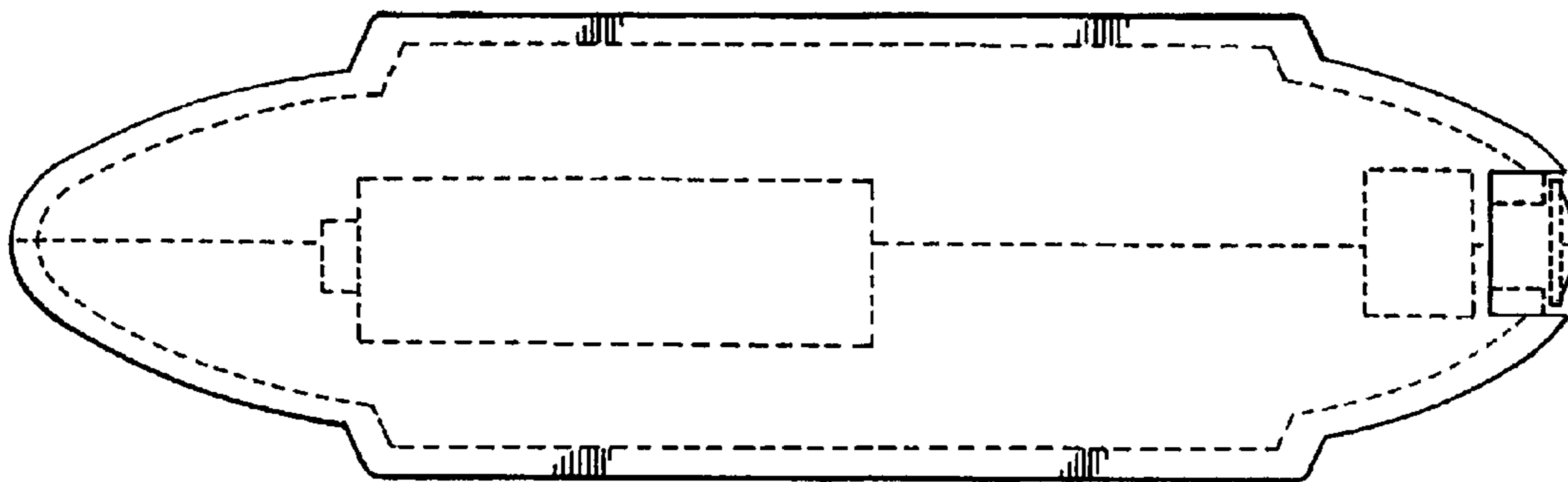


Fig. 5

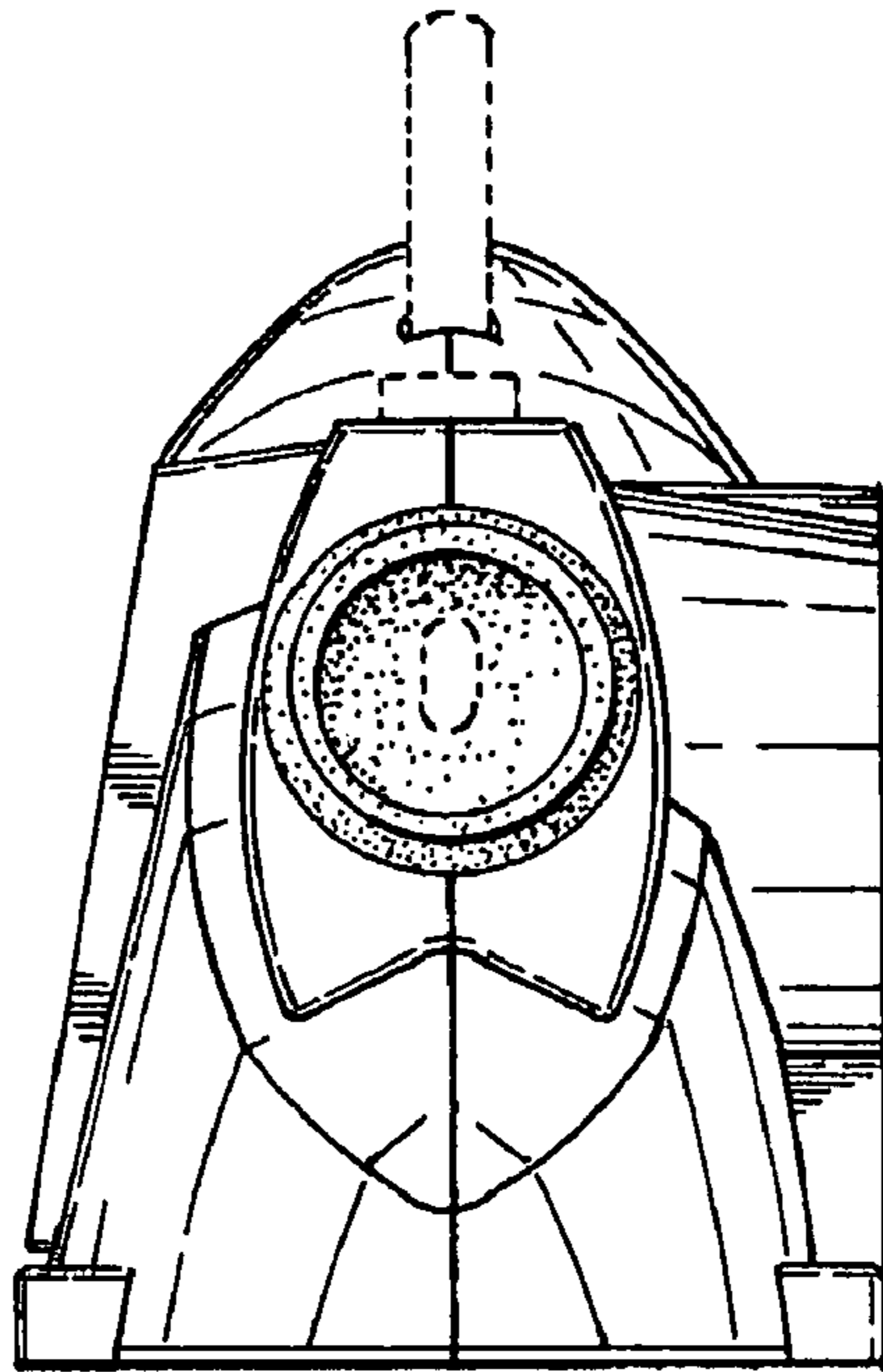


Fig. 6

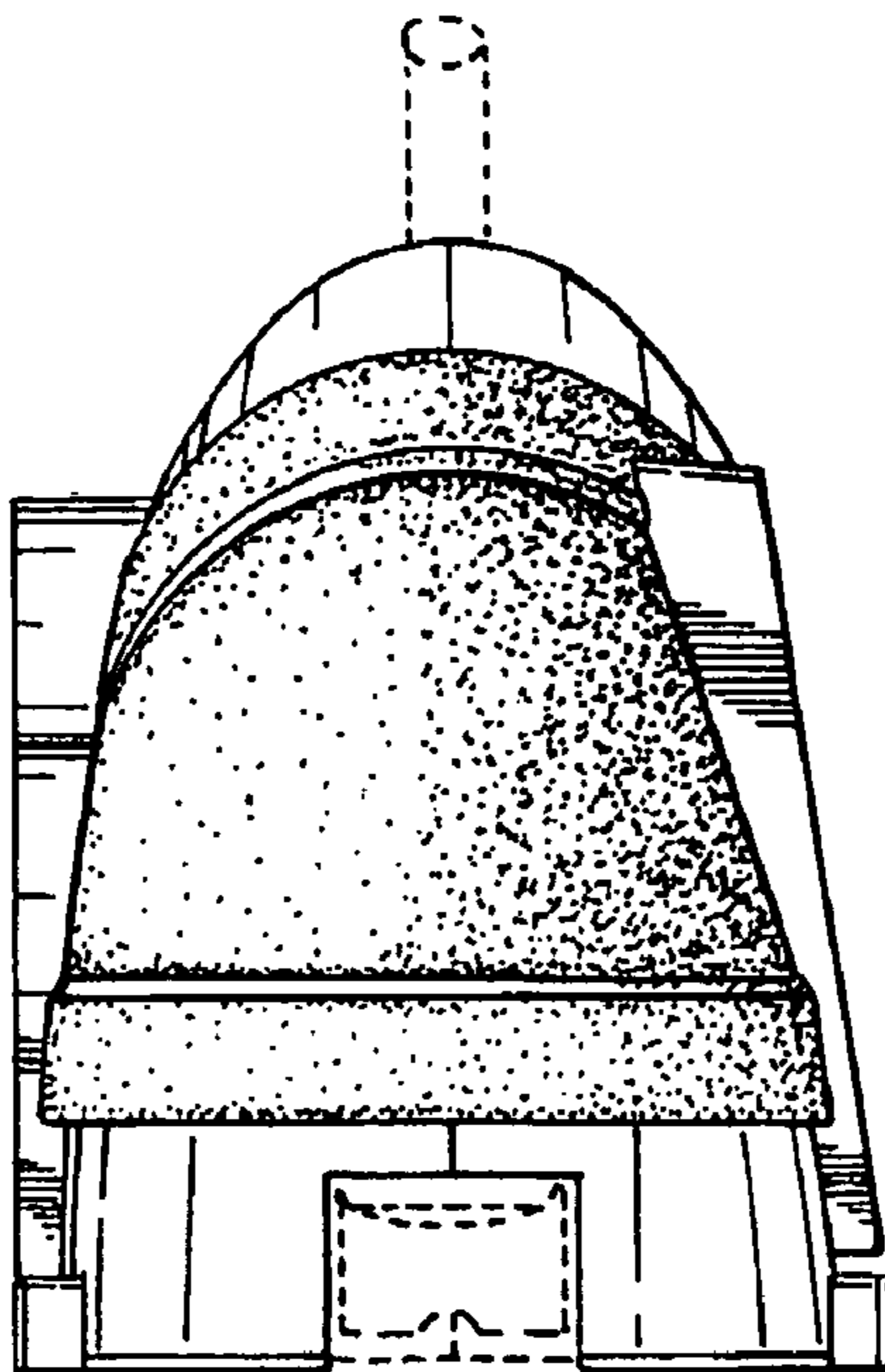


Fig. 7