



US00D646991S

(12) **United States Design Patent**
Murray

(10) **Patent No.:** **US D646,991 S**

(45) **Date of Patent:** **** Oct. 18, 2011**

(54) **SUCTION CUP HANGING DEVICE WITH LASER LEVEL**

Primary Examiner — Holly Baynham

(74) *Attorney, Agent, or Firm* — Stephen R. Valancius

(75) Inventor: **Thomas W. Murray**, Baltimore, MD (US)

(73) Assignee: **Black & Decker Inc.**, Newark, DE (US)

(**) Term: **14 Years**

(21) Appl. No.: **29/369,462**

(22) Filed: **Sep. 9, 2010**

(51) **LOC (9) Cl.** **10-04**

(52) **U.S. Cl.** **D10/69**

(58) **Field of Classification Search** D8/349,
D8/354, 363, 373; D10/69; 248/205.2–205.5;
33/291, 365, 370, 347

See application file for complete search history.

(56) **References Cited**

U.S. PATENT DOCUMENTS

D361,544	S	*	8/1995	Eisenbraun	D12/187
5,996,950	A	*	12/1999	Richter	248/205.5
D435,992	S	*	1/2001	Min-Tsung	D6/540
D479,787	S	*	9/2003	Degen	D8/72
D526,587	S	*	8/2006	Lopano	D10/66
D527,616	S	*	9/2006	Hajianpour	D8/373
D533,076	S	*	12/2006	Awbrey et al.	D9/719
D574,275	S	*	8/2008	Concari	D10/69
D588,903	S	*	3/2009	Carnevali	D8/355
7,735,791	B2	*	6/2010	Bury	248/205.5

* cited by examiner

(57) **CLAIM**

The ornamental design for a suction cup hanging device with laser level, as shown and described.

DESCRIPTION

FIG. 1 is a perspective view of a suction cup hanging device with laser level according to the present invention;

FIG. 2 is a front view of the suction cup hanging device with laser level of FIG. 1;

FIG. 3 is a back view of the suction cup hanging device with laser level of FIG. 1;

FIG. 4 is a left side view of the suction cup hanging device with laser level of FIG. 1;

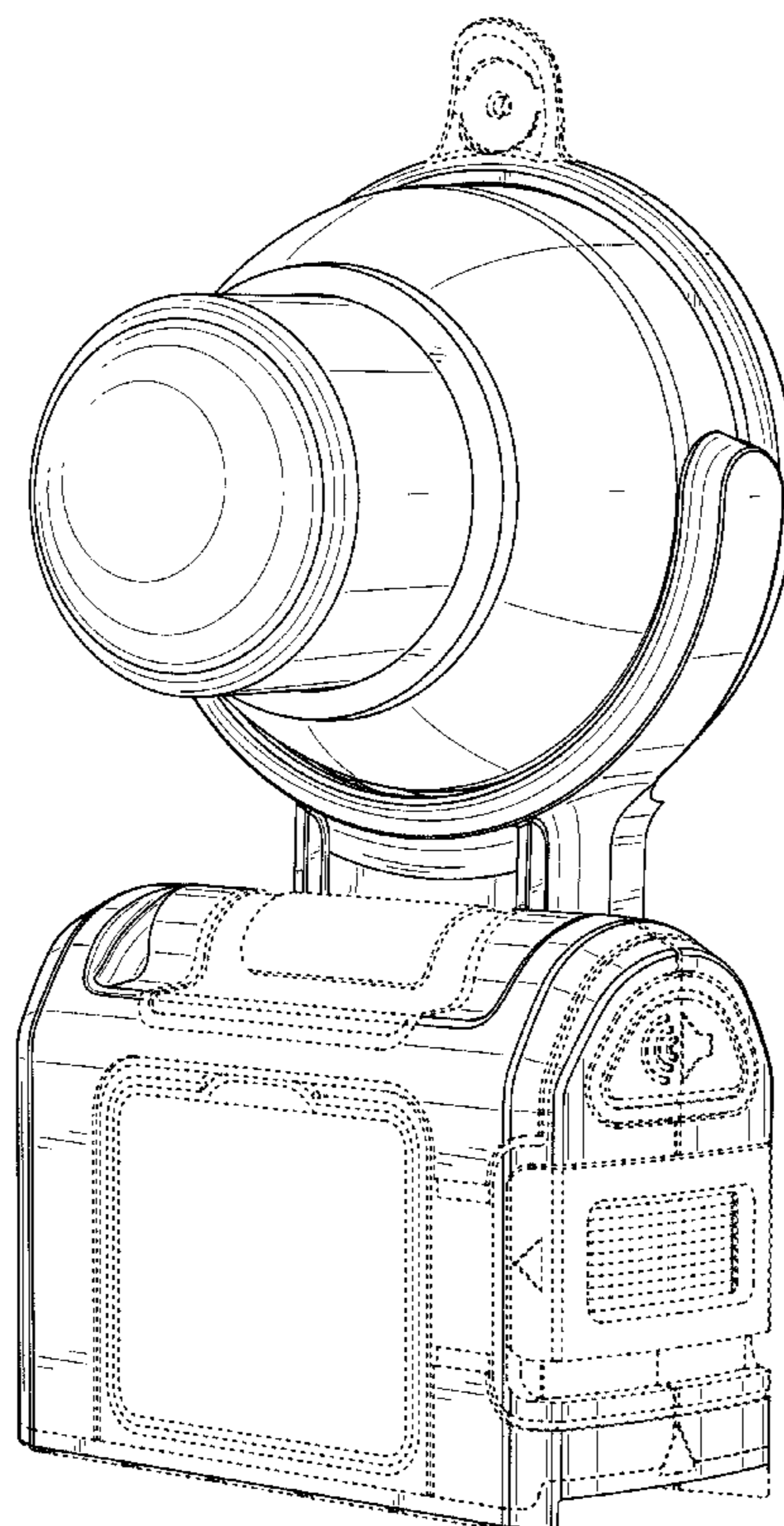
FIG. 5 is a right side view of the suction cup hanging device with laser level of FIG. 1;

FIG. 6 is a bottom view of the suction cup hanging device with laser level of FIG. 1; and,

FIG. 7 is a top view of the suction cup hanging device with laser level of FIG. 1.

The broken lines showing portions of the laser level are for the purposes of illustrating environment and form no part of the claimed design.

1 Claim, 7 Drawing Sheets



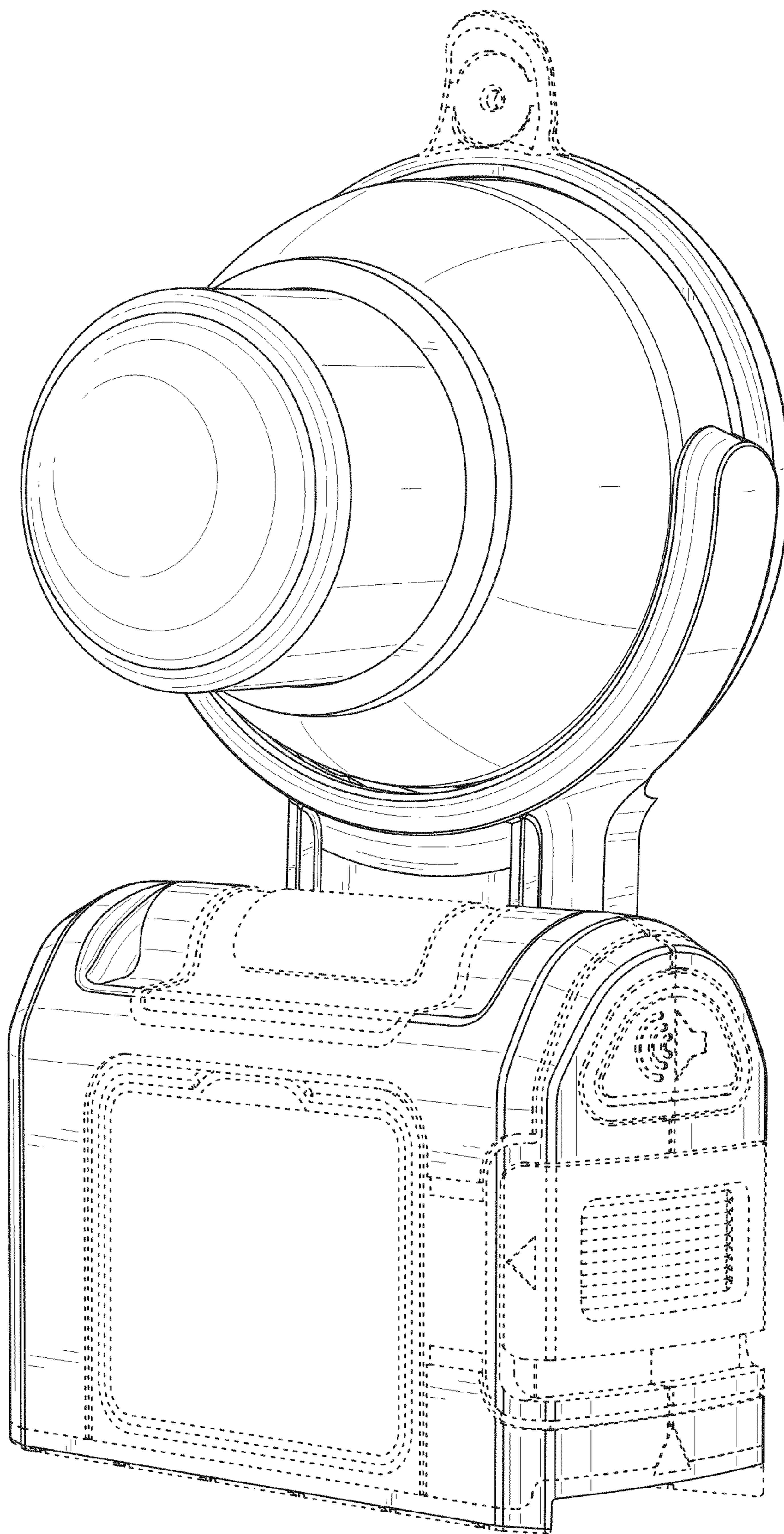


FIG. 1

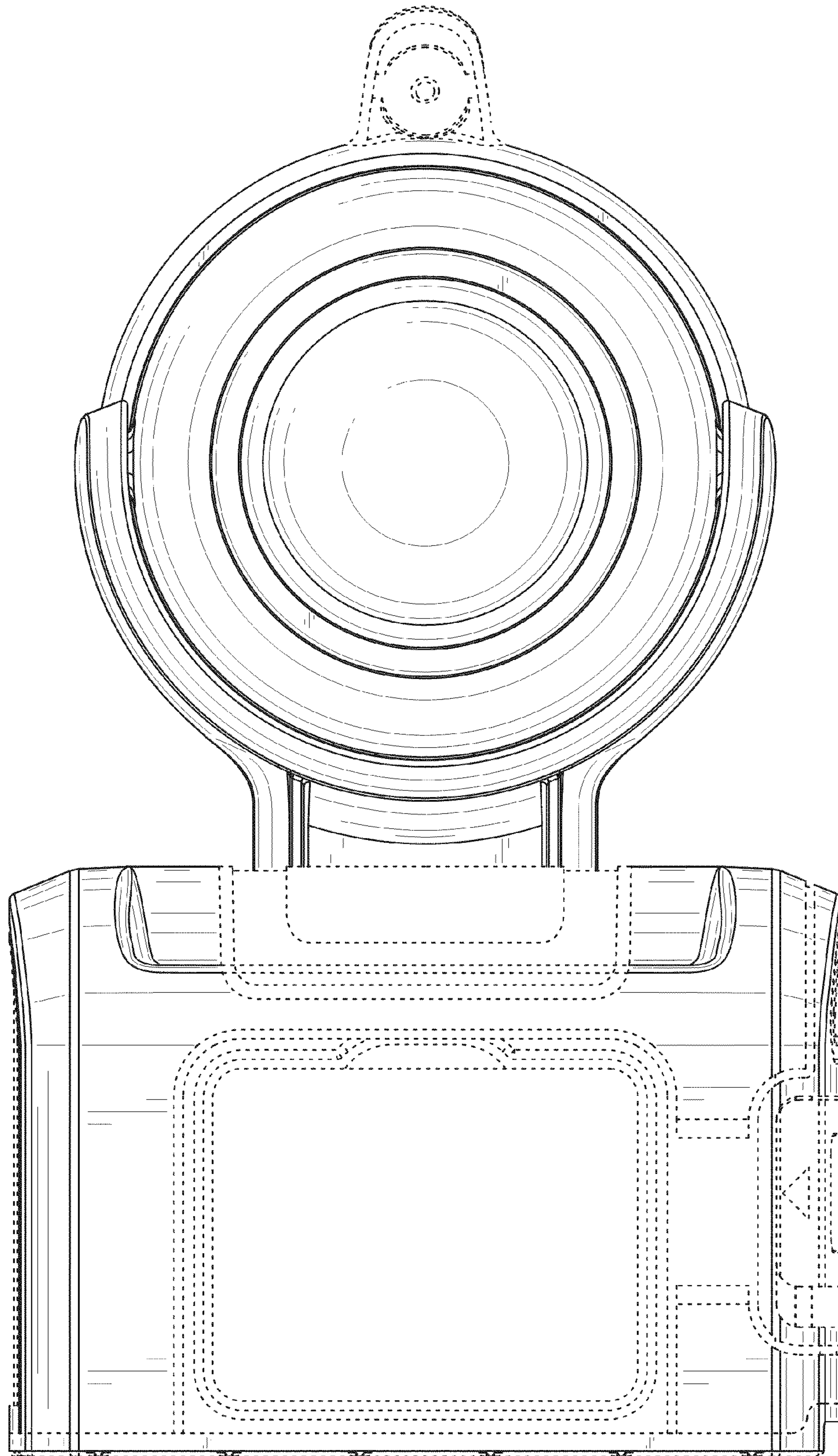


FIG. 2

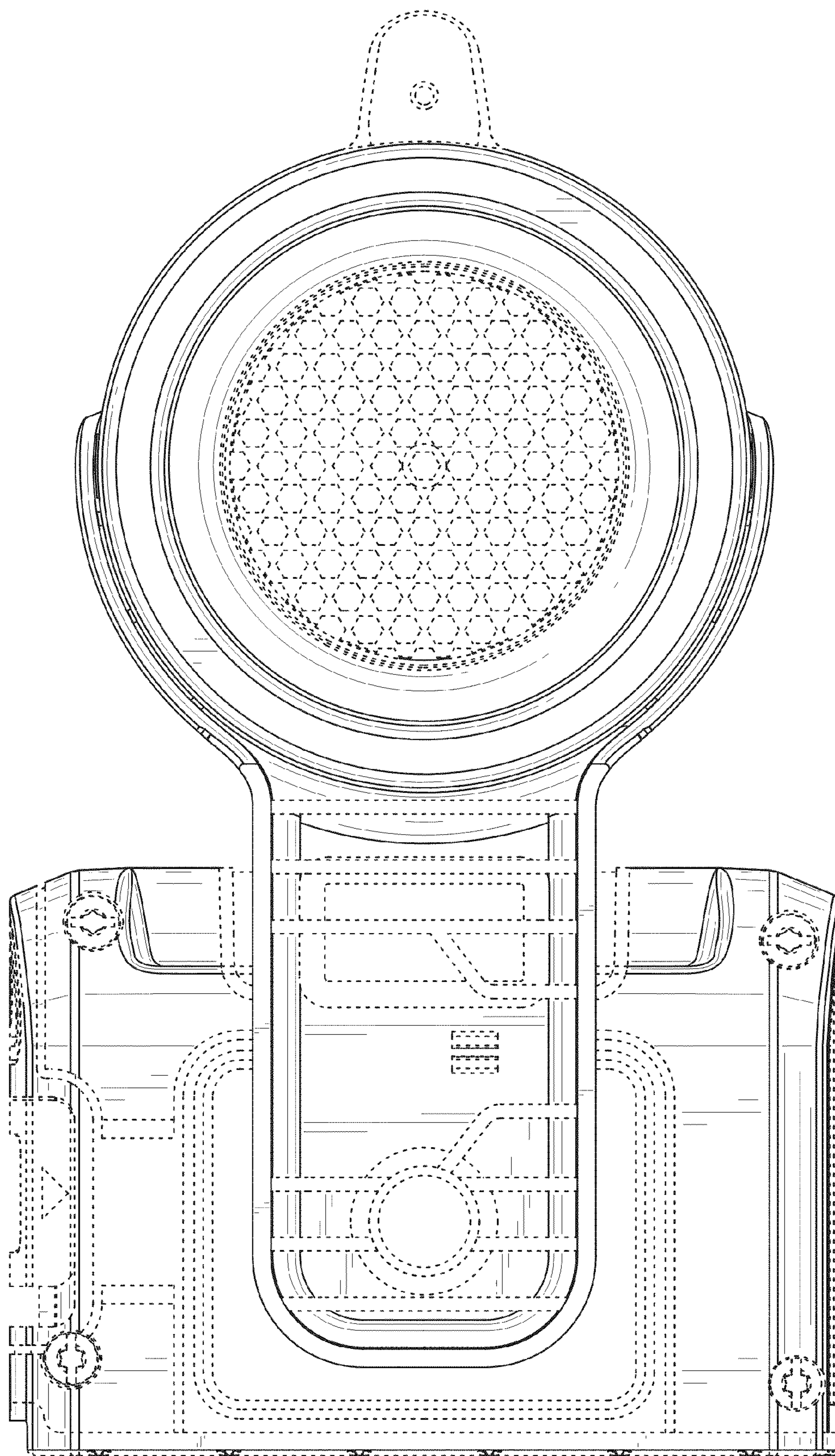


FIG. 3

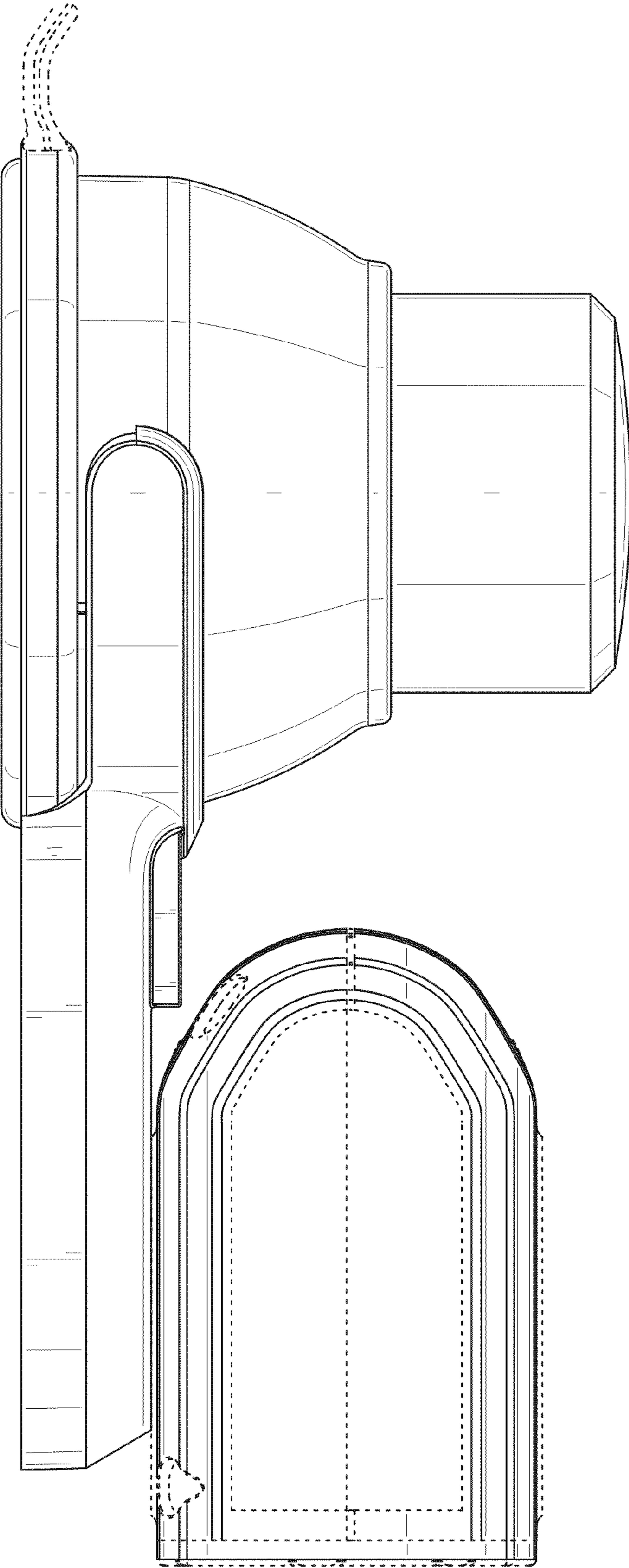


FIG. 4

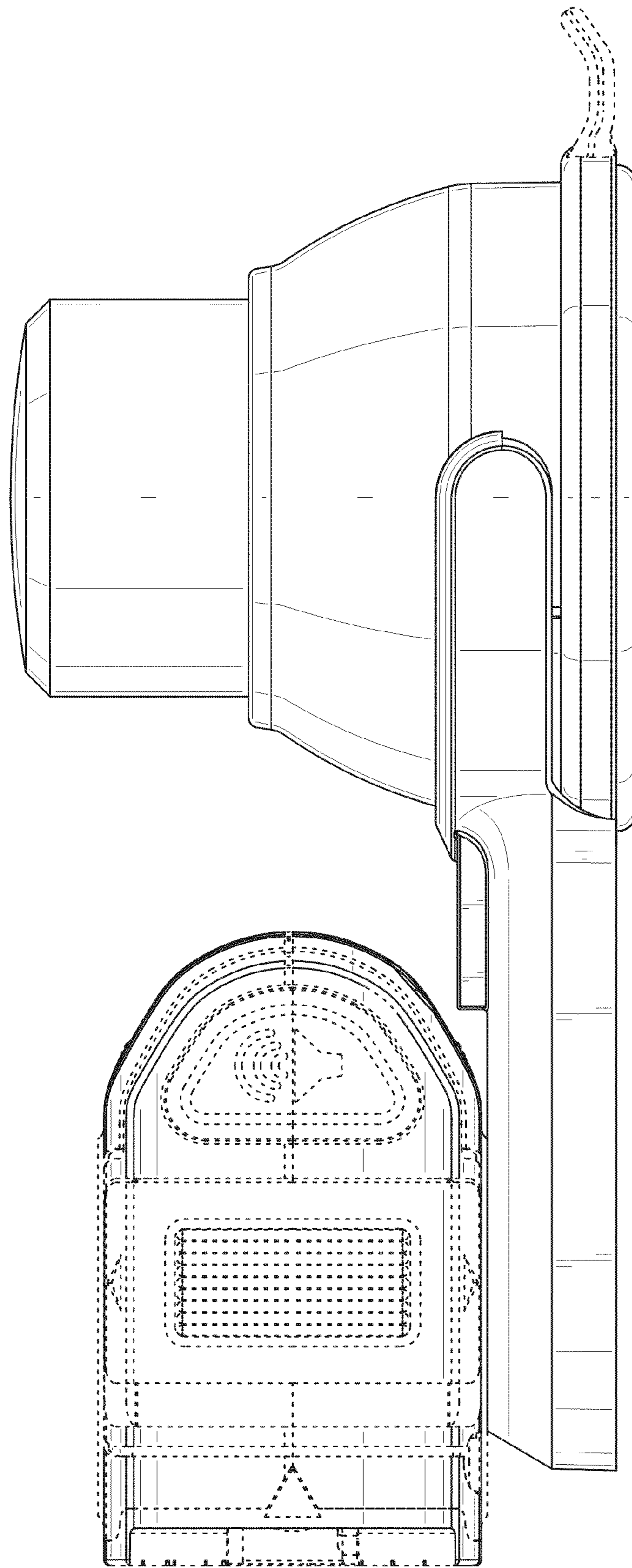


FIG. 5

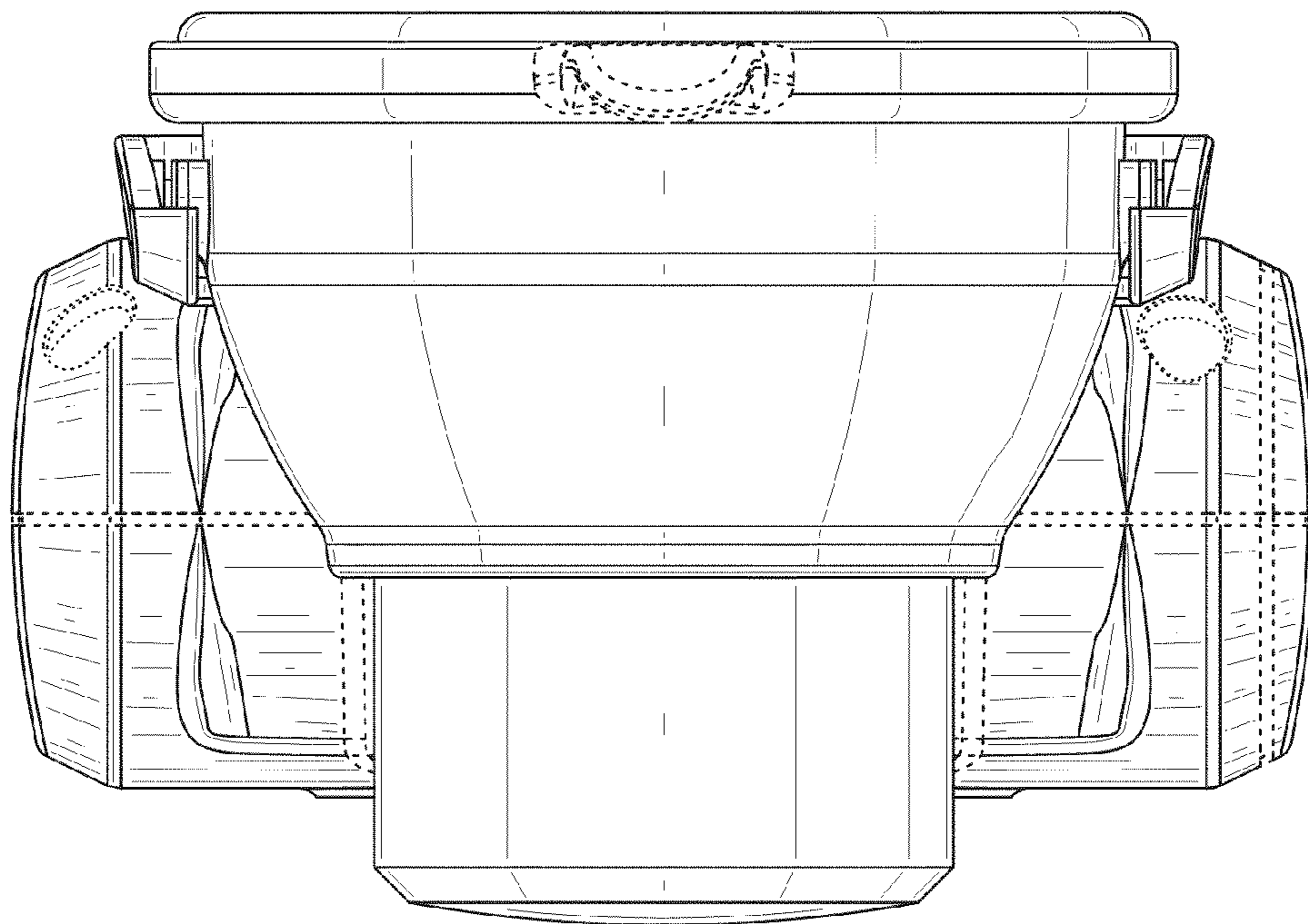


FIG. 6

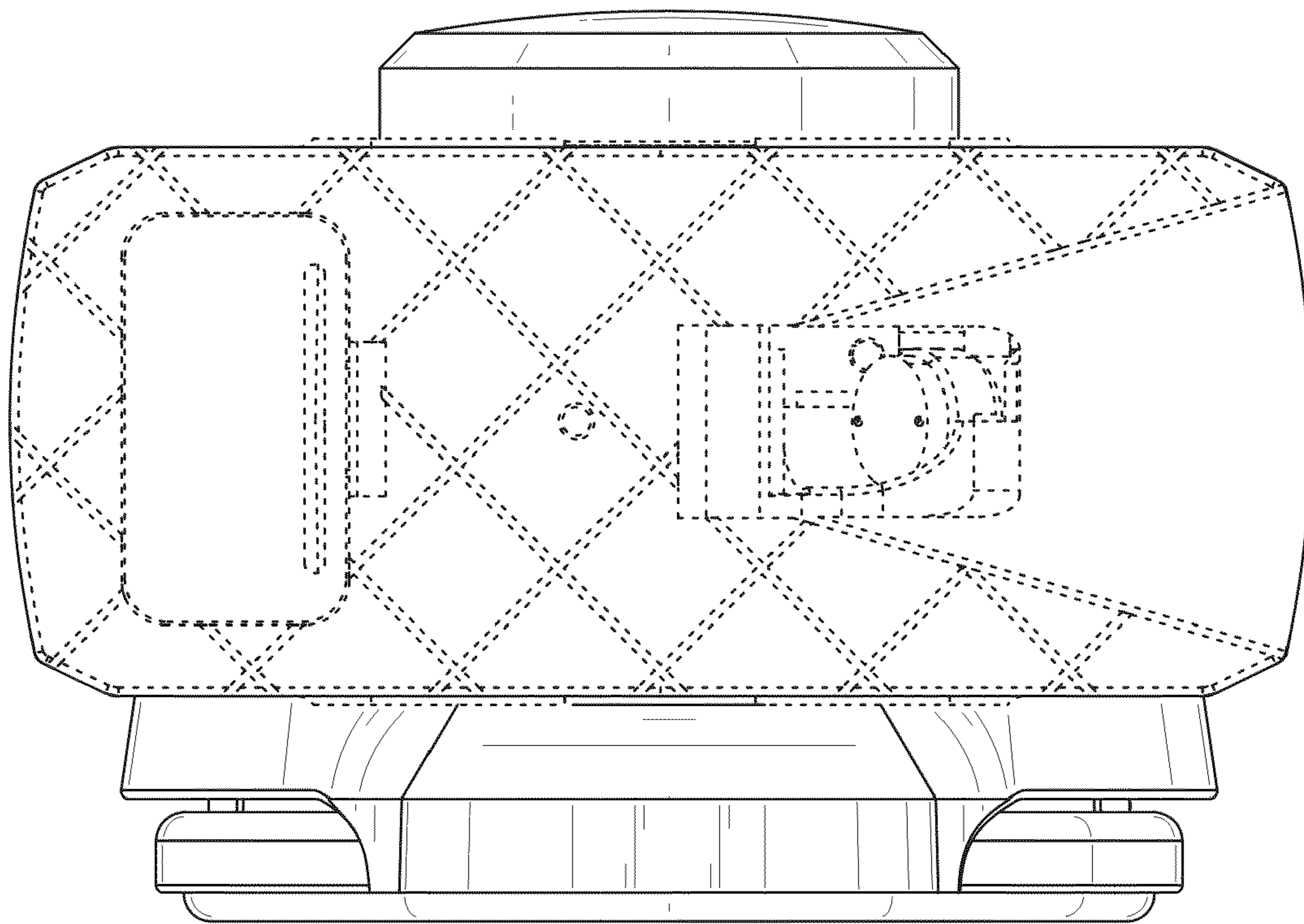


FIG. 7