



US00D646984S

(12) **United States Design Patent**
Moore et al.

(10) **Patent No.:** **US D646,984 S**
(45) **Date of Patent:** **** Oct. 18, 2011**

(54) **PATIENT KIT UNIT ASSEMBLY TO ASSIST BREAST PROSTHESIS DECISION MAKING**

(75) Inventors: **Jeffrey Moore**, Laguna Beach, CA (US);
Russell Pierce, Laguna Beach, CA (US)

(73) Assignee: **Allergan, Inc.**, Irvine, CA (US)

(**) Term: **14 Years**

(21) Appl. No.: **29/336,233**

(22) Filed: **Apr. 29, 2009**

(51) **LOC (9) Cl.** **09-03**

(52) **U.S. Cl.** **D9/737**

(58) **Field of Classification Search** D9/737,
D9/761, 420, 422-426, 428, 429; D7/554.2,
D7/540, 602, 614, 629, 553.1-553.8; 220/555-557,
220/500, 506, 528, 529, 23.83; 206/223,
206/541, 557, 564; 426/106, 119, 120, 127
See application file for complete search history.

(56) **References Cited**

U.S. PATENT DOCUMENTS

| | | | | | |
|-----------|-----|---------|------------------|-------|-----------|
| 3,070,275 | A * | 12/1962 | Bostrom | | 229/4.5 |
| 4,807,776 | A * | 2/1989 | Cortopassi | | 220/23.83 |
| D444,058 | S * | 6/2001 | Hampshire et al. | | D9/761 |
| 6,796,875 | B1 | 9/2004 | Placik | | |
| 6,981,988 | B1 | 1/2006 | Kinsley | | |
| D551,091 | S * | 9/2007 | Shahsavarani | | D9/761 |
| D577,960 | S * | 10/2008 | Ersan | | D7/541 |
| D596,485 | S * | 7/2009 | Andre et al. | | D9/737 |
| D607,284 | S * | 1/2010 | Ho | | D7/629 |

OTHER PUBLICATIONS

How Big? How Will you Achieve it? B4ra, Nov. 2004, pp. 5, <http://www.b4bra.com>, MD Aesthetics, LLC. Nov. 2004.

The Envision Sizing Kit, p. 1, <http://www.envisionimplants.com>.

* cited by examiner

Primary Examiner — Mark Goodwin

(74) *Attorney, Agent, or Firm* — Linda A. Fox; Stephen Donovan; Debra Condino

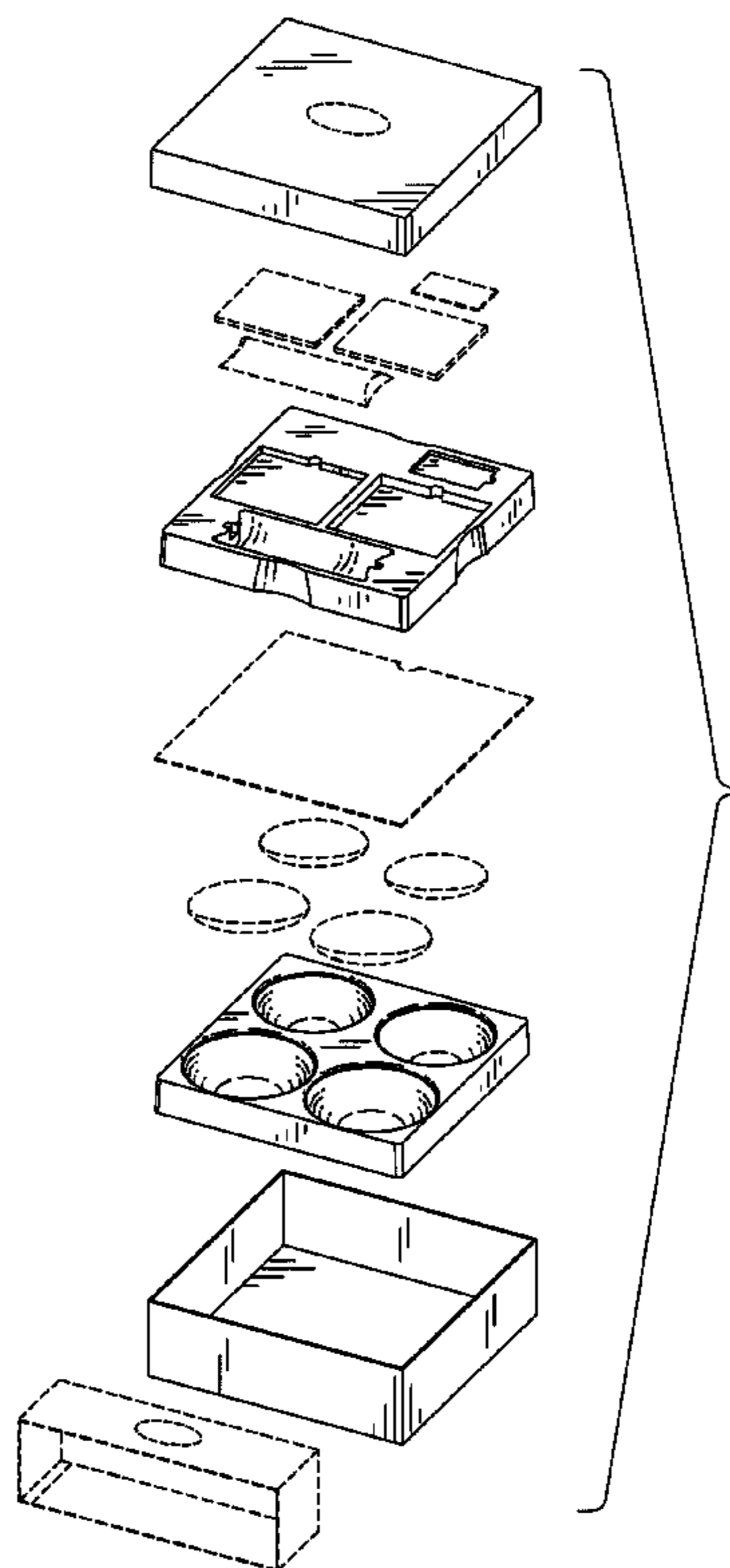
(57) **CLAIM**

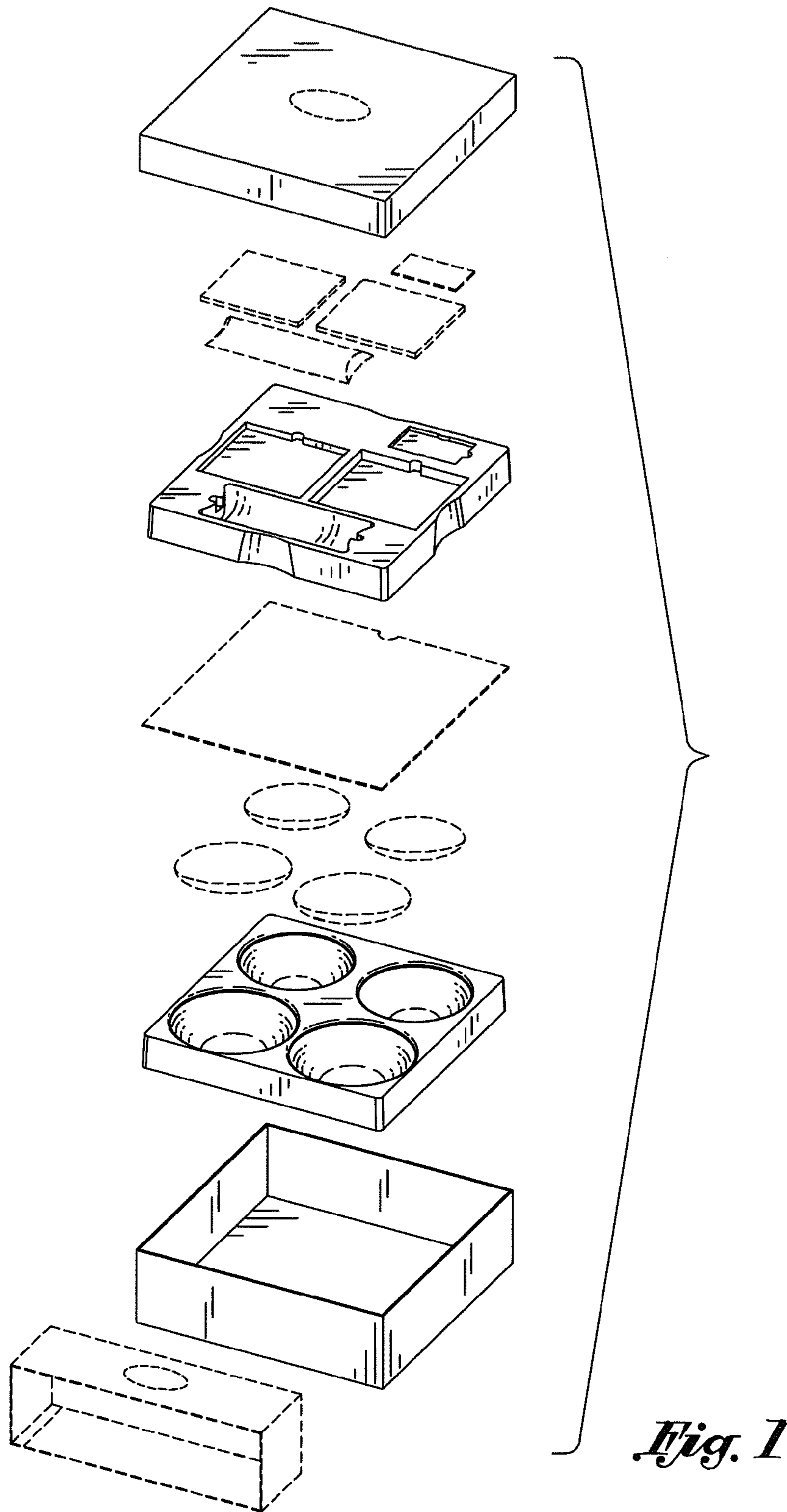
We claim the ornamental design for a patient kit unit assembly to assist breast prosthesis decision making, as shown and described.

DESCRIPTION

FIG. 1 is an expanded top perspective view of the patient kit unit assembly to assist breast prosthesis decision making showing our kit design;
FIG. 2 is a bottom perspective view thereof;
FIG. 3 is a right side elevation view thereof, and left view, front view and rear view being identical;
FIG. 4 is a top plan view thereof;
FIG. 5 is a bottom plan view thereof; and,
FIG. 6 is an enlarged assembled top perspective view thereof. The broken lines shown in all Figures are for illustrative purposes only and form no part of the claimed design.

1 Claim, 6 Drawing Sheets





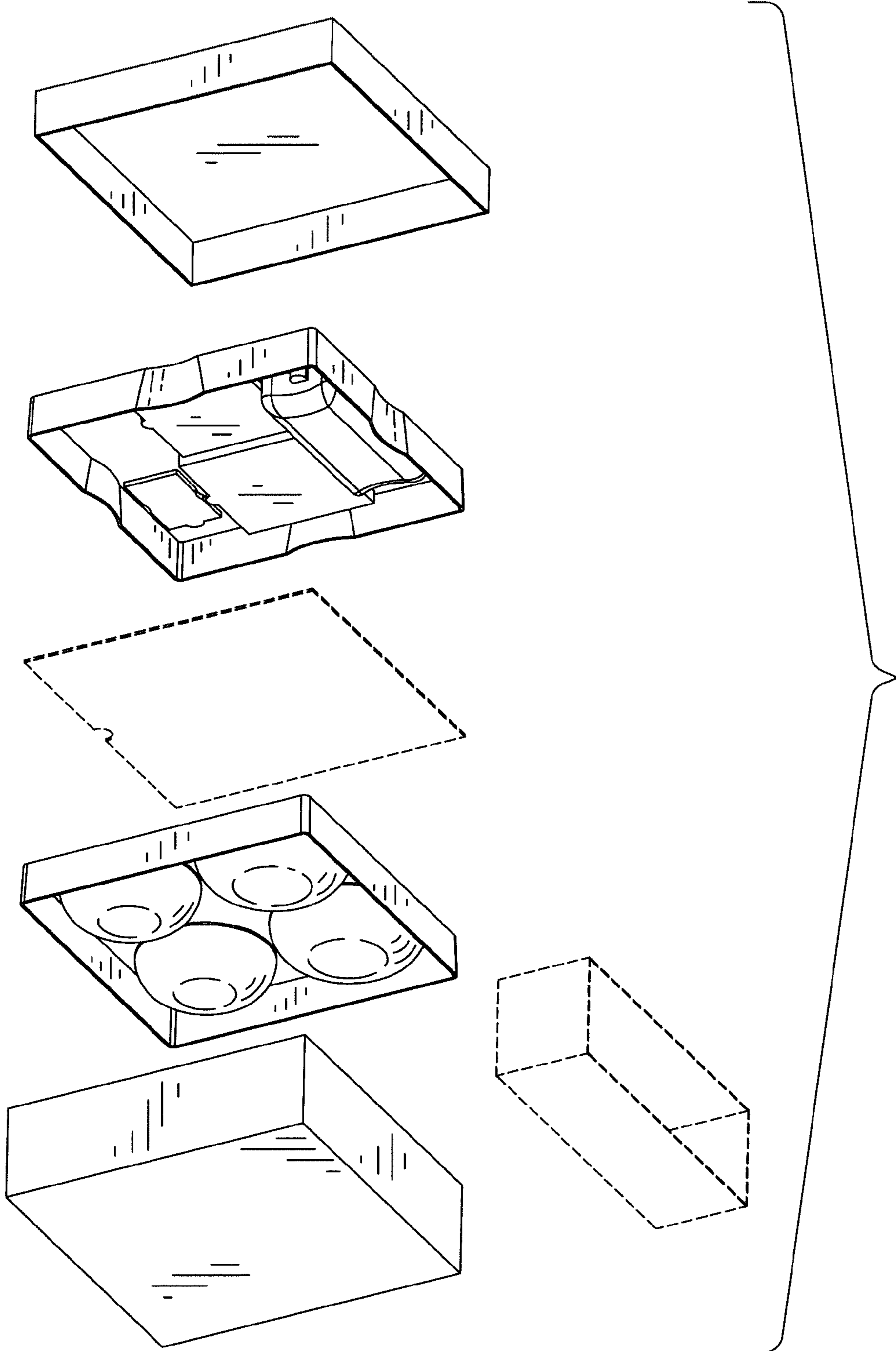


Fig. 2

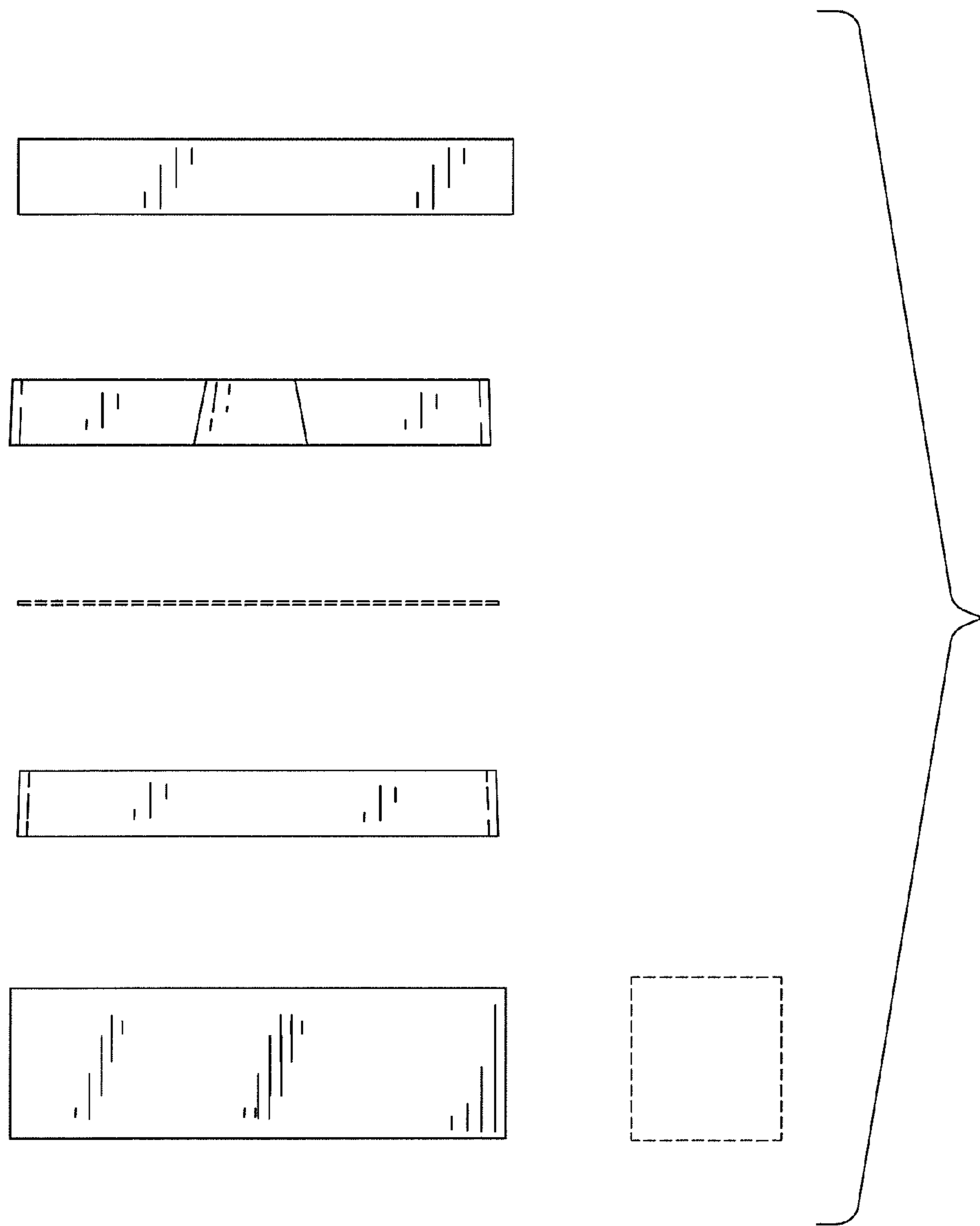


Fig. 3

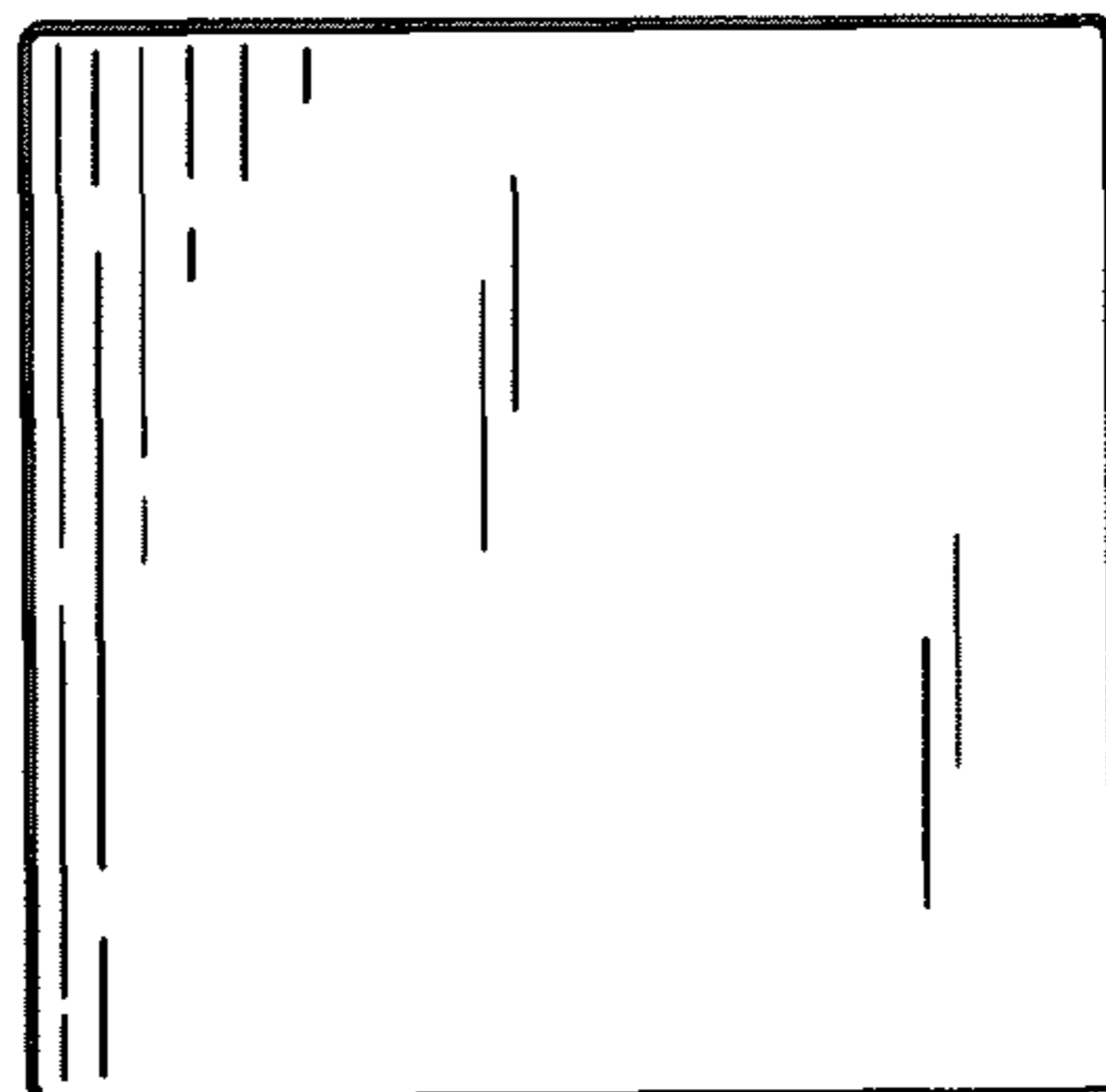
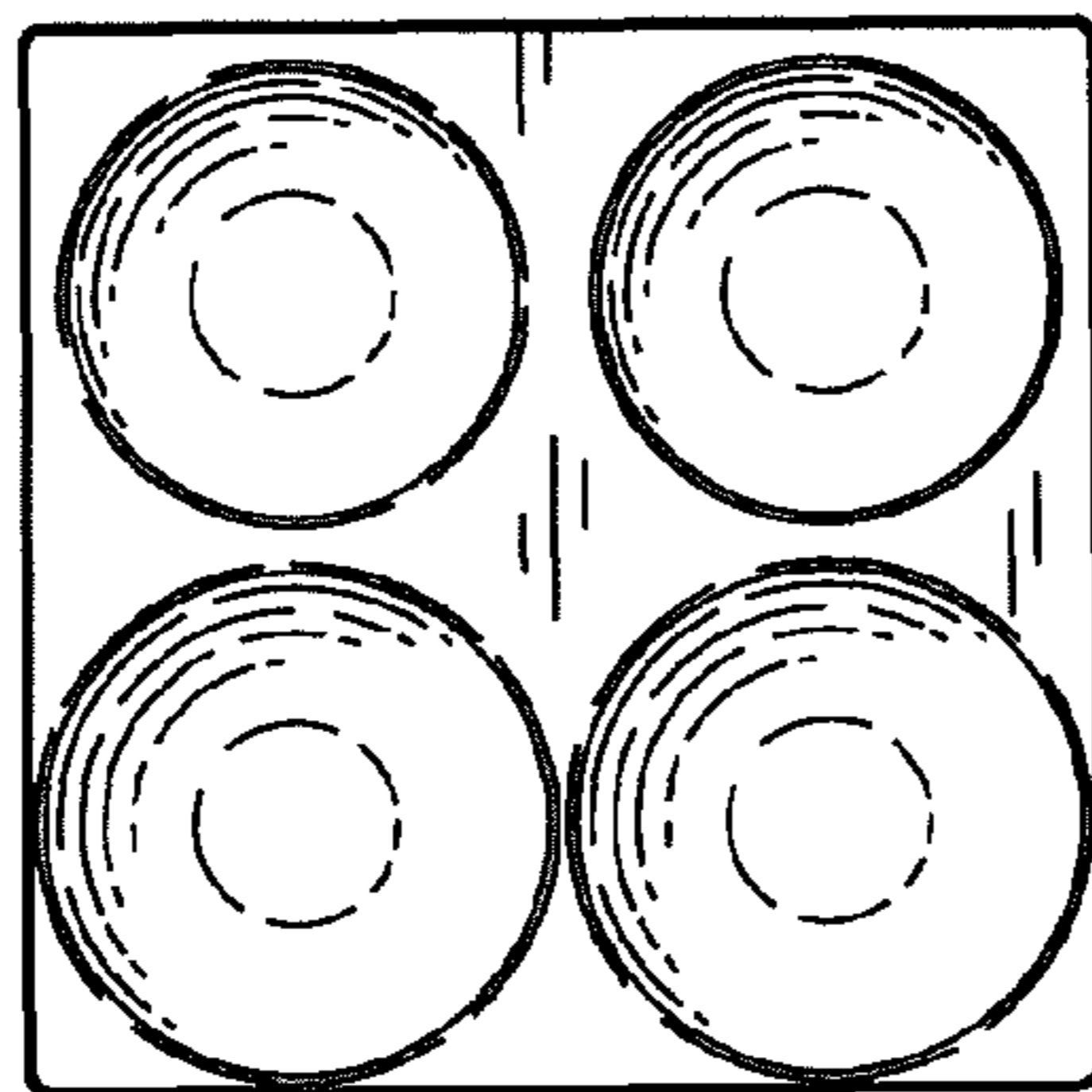
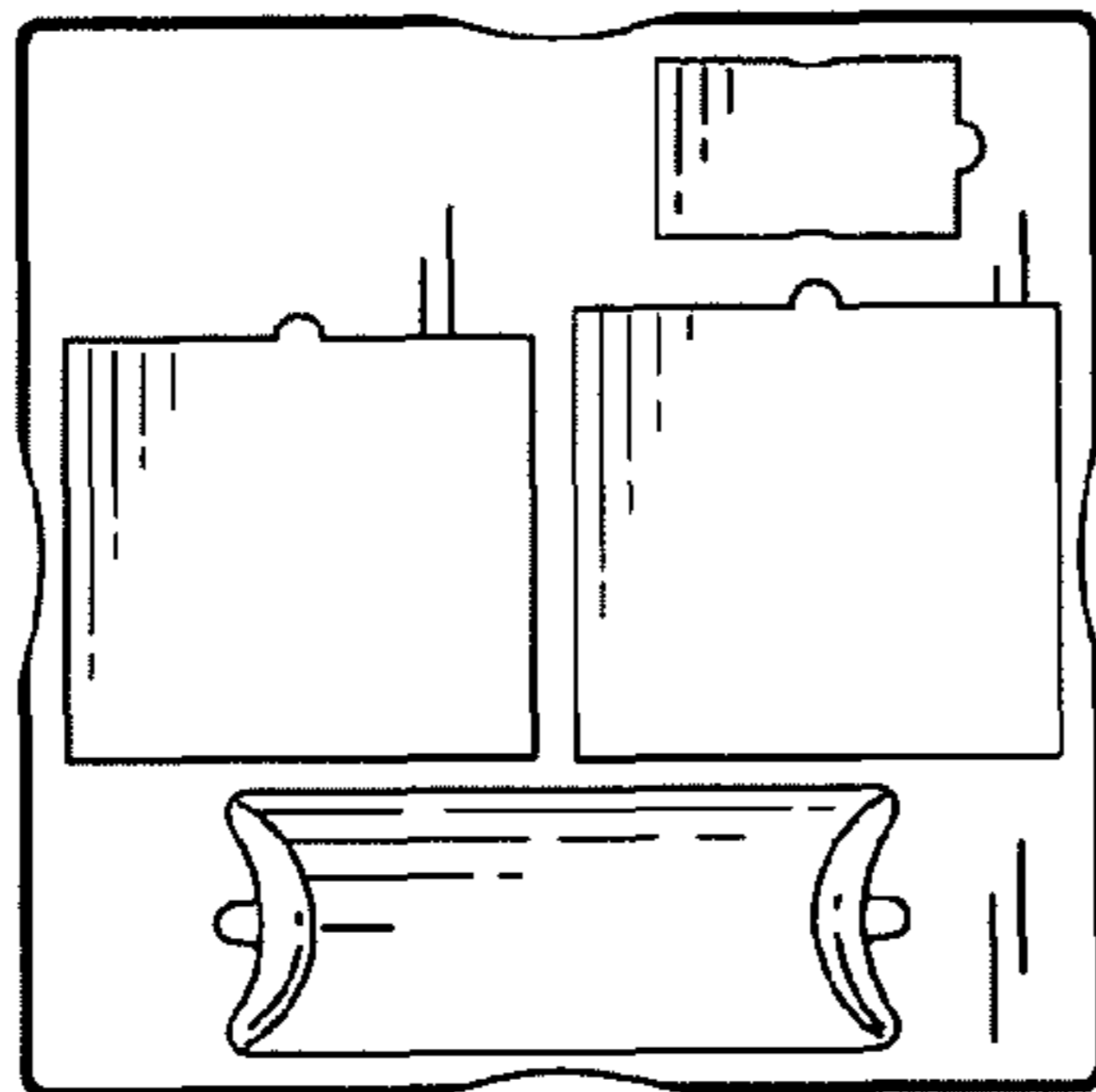
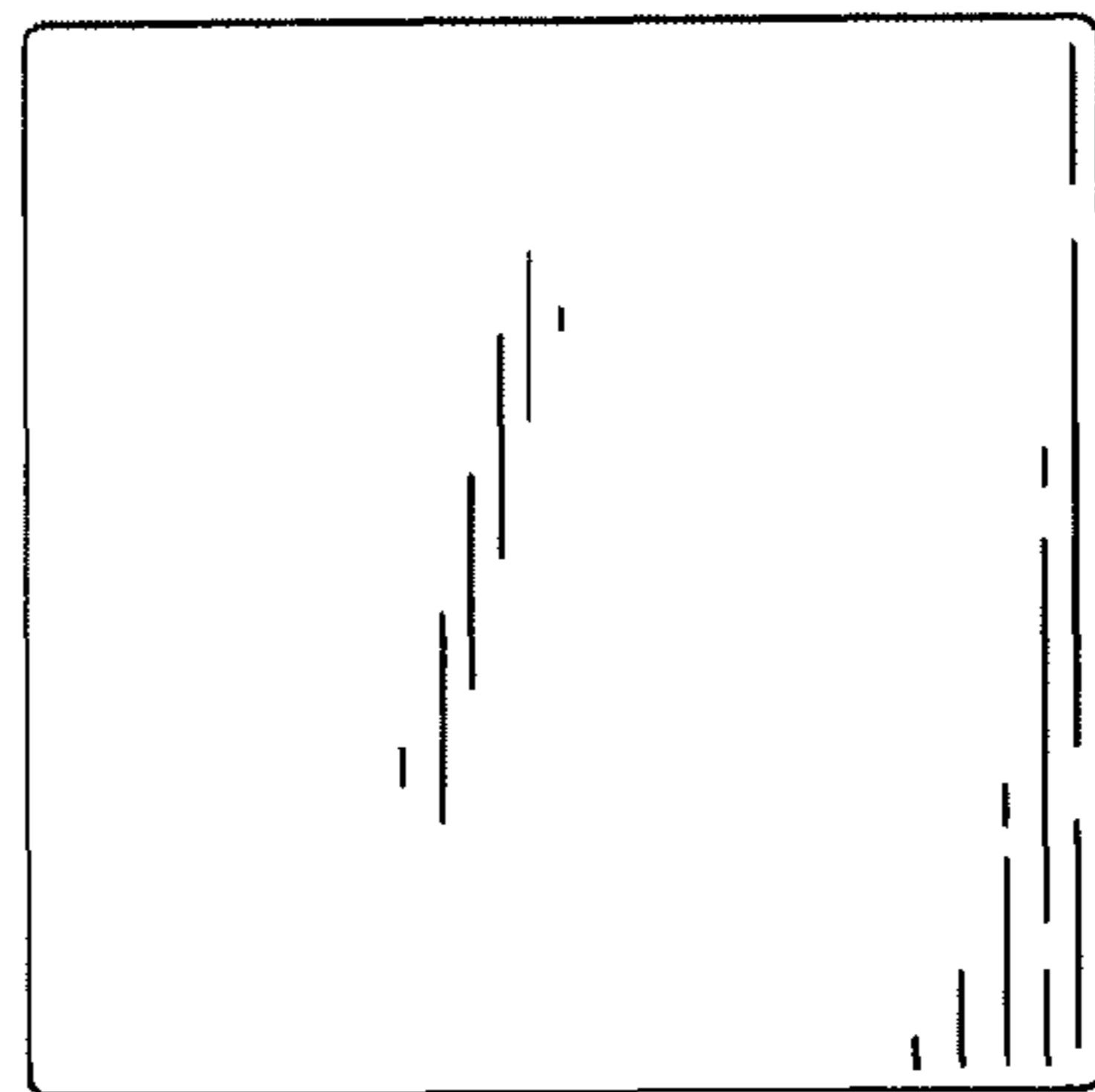
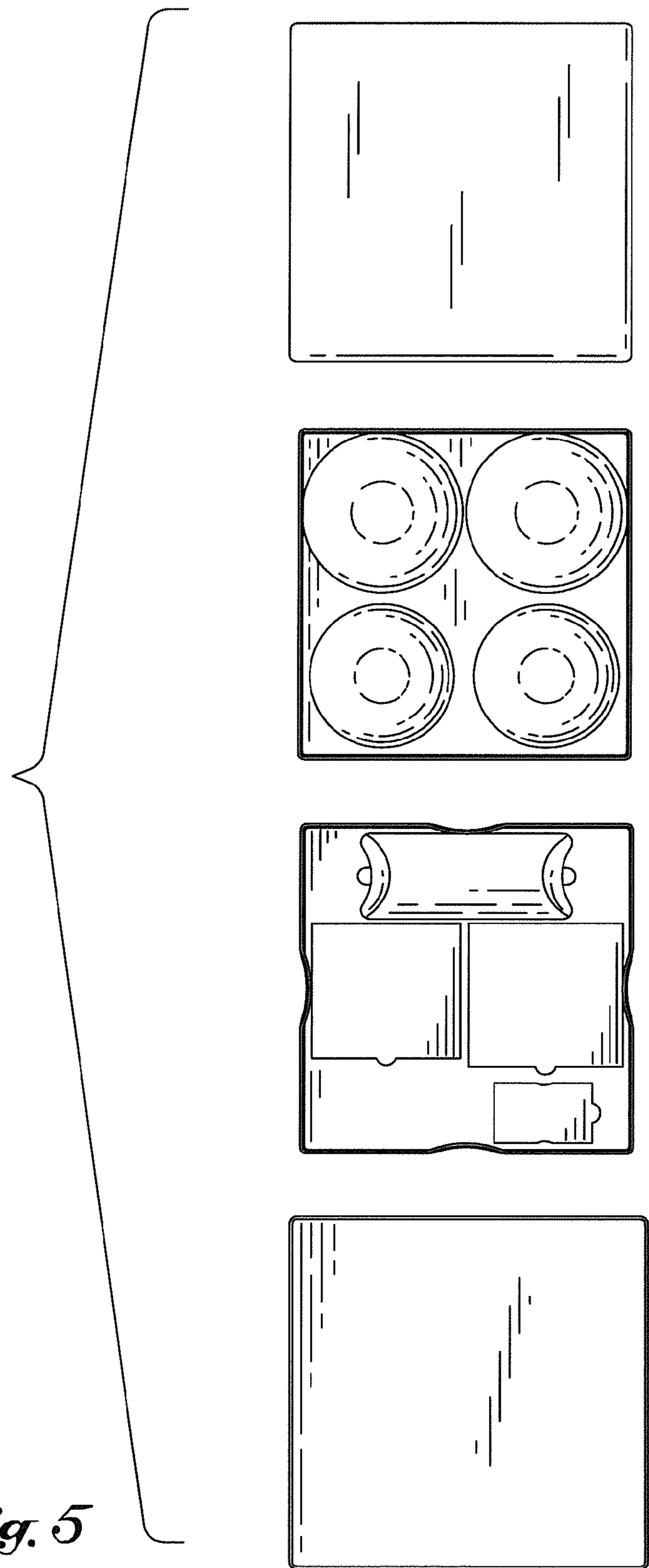


Fig. 4

Fig. 5



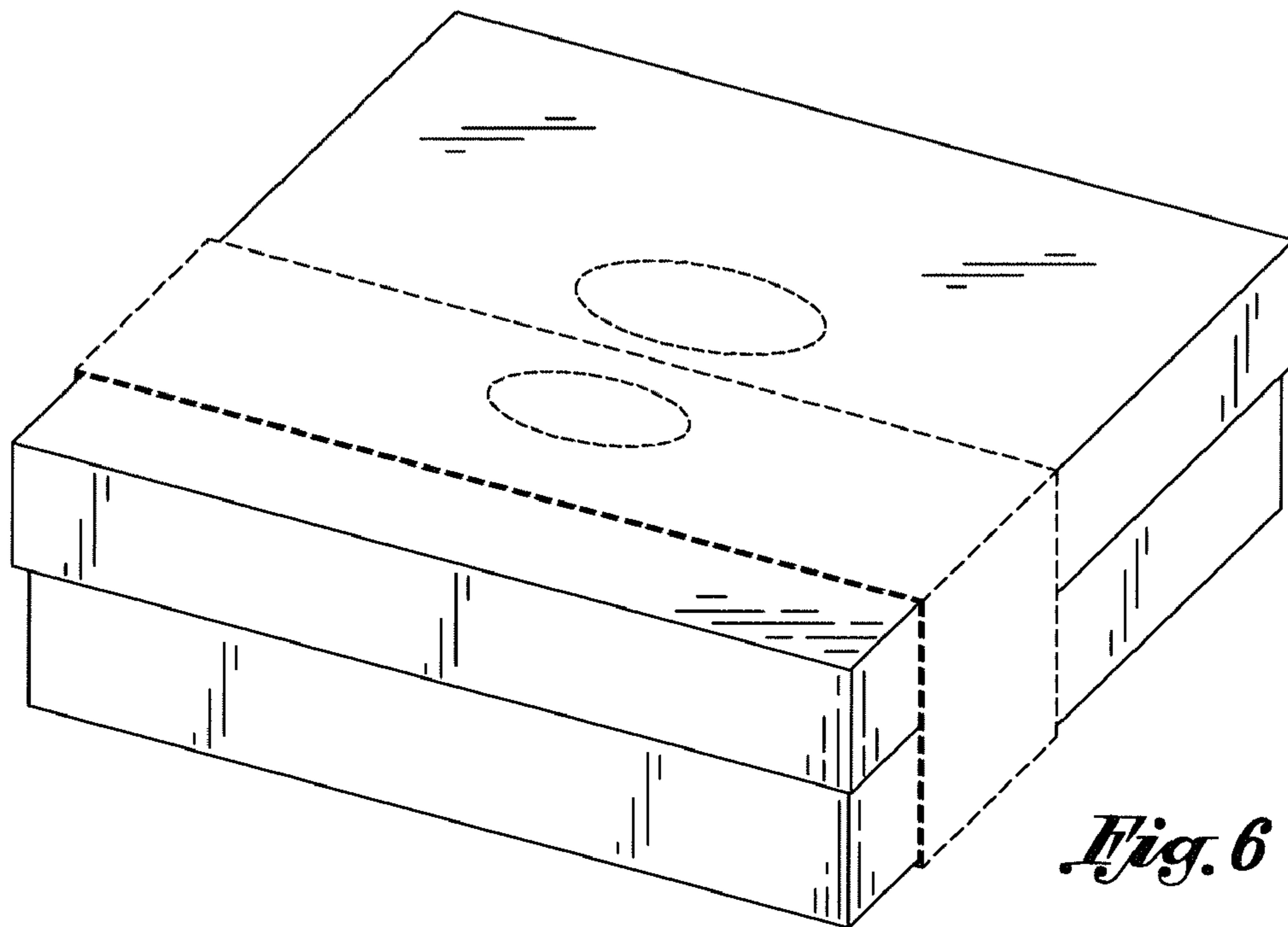


Fig. 6