



US00D646982S

(12) **United States Design Patent**  
**Dietvorst**

(10) **Patent No.:** **US D646,982 S**  
(45) **Date of Patent:** **\*\* Oct. 18, 2011**

(54) **CONTAINER**

(75) Inventor: **Taco Dietvorst**, Eindhoven (NL)

(73) Assignee: **Reckitt Benckiser Inc.**, Parsippany, NJ  
(US)

(\*\*) Term: **14 Years**

(21) Appl. No.: **29/376,599**

(22) Filed: **Oct. 8, 2010**

(30) **Foreign Application Priority Data**

Apr. 14, 2010 (EM) ..... 001208565-0001

(51) **LOC (9) Cl.** ..... **09-03**

(52) **U.S. Cl.** ..... **D9/734**

(58) **Field of Classification Search** ..... D9/500,  
D9/501, 503, 504, 529, 531, 537, 730, 734,  
D9/763, 772, 779, 780; D6/512, 515, 518,  
D6/522, 523; 312/34.4; 426/35; 220/258.3;  
206/210; 604/289

See application file for complete search history.

(56) **References Cited**

U.S. PATENT DOCUMENTS

D293,058 S \* 12/1987 Iwarsson ..... D6/523  
D322,215 S \* 12/1991 Hunt ..... 9/733

D322,931 S \* 1/1992 Hunt ..... D9/733  
D322,932 S \* 1/1992 Hunt ..... D9/733  
D372,615 S \* 8/1996 Owens ..... D6/522  
6,279,775 B1 \* 8/2001 Parkes et al. .... 221/63  
D467,106 S \* 12/2002 Bohay ..... D6/523  
6,554,156 B1 \* 4/2003 Chong ..... 221/63  
D565,968 S \* 4/2008 Mantenuto ..... D9/734  
D568,764 S \* 5/2008 Rankin ..... D9/734  
D589,820 S \* 4/2009 Paal et al. .... D9/734  
D630,108 S \* 1/2011 Wilson ..... D9/734  
2005/0046314 A1 \* 3/2005 Sellars et al. .... 312/34.4

\* cited by examiner

*Primary Examiner* — Shanda C Hill

(74) *Attorney, Agent, or Firm* — Norris McLaughlin & Marcus, PA

(57) **CLAIM**

The ornamental design for a container, as shown and described.

**DESCRIPTION**

FIG. 1 is a right side perspective view of my new design for a container;

FIG. 2 is a right side elevational view thereof;

FIG. 3 is a left side elevational view thereof;

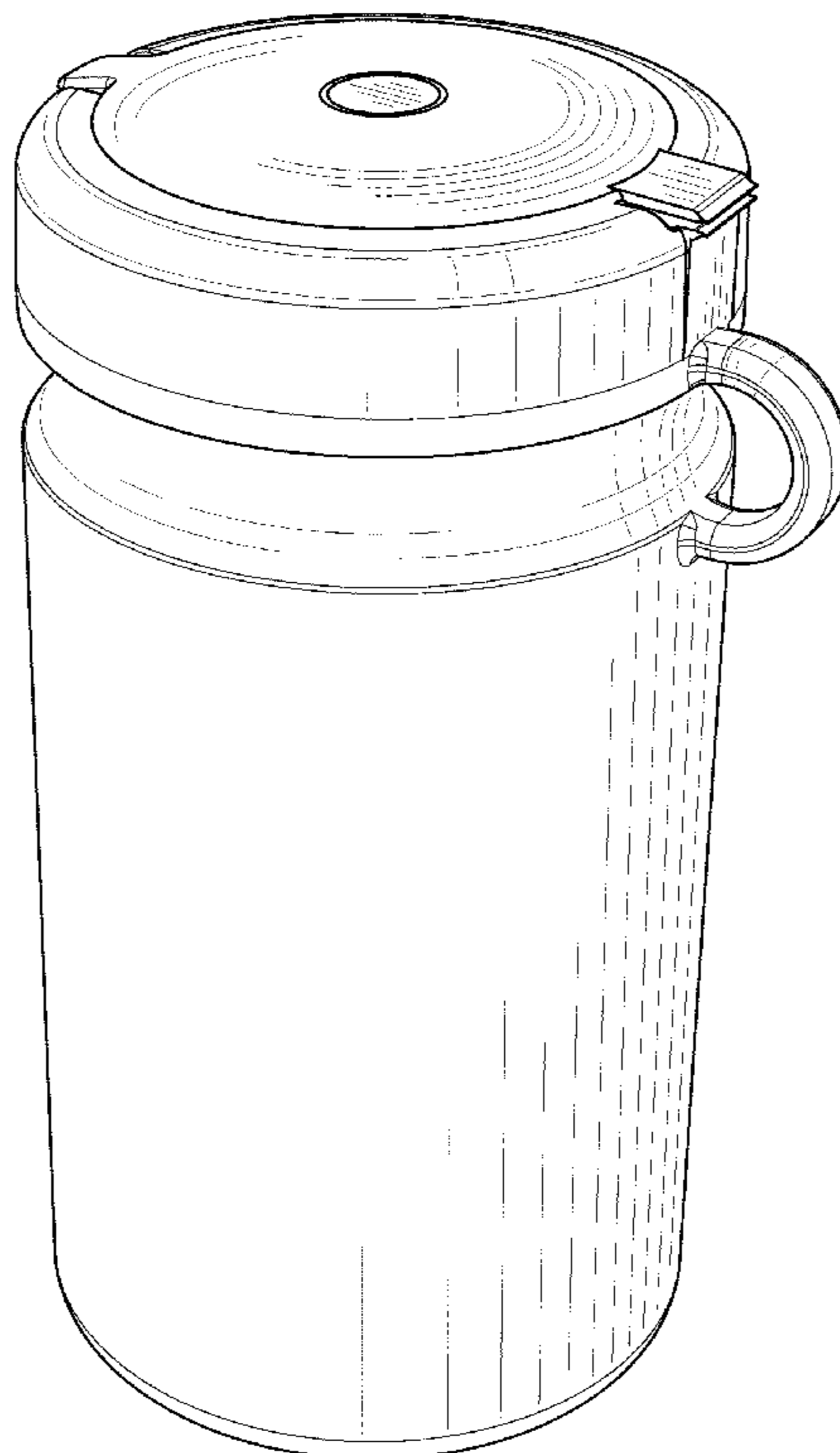
FIG. 4 is a front elevational view thereof;

FIG. 5 is a rear elevational view thereof;

FIG. 6 is a top plan view thereof; and,

FIG. 7 is a bottom plan view thereof.

**1 Claim, 7 Drawing Sheets**



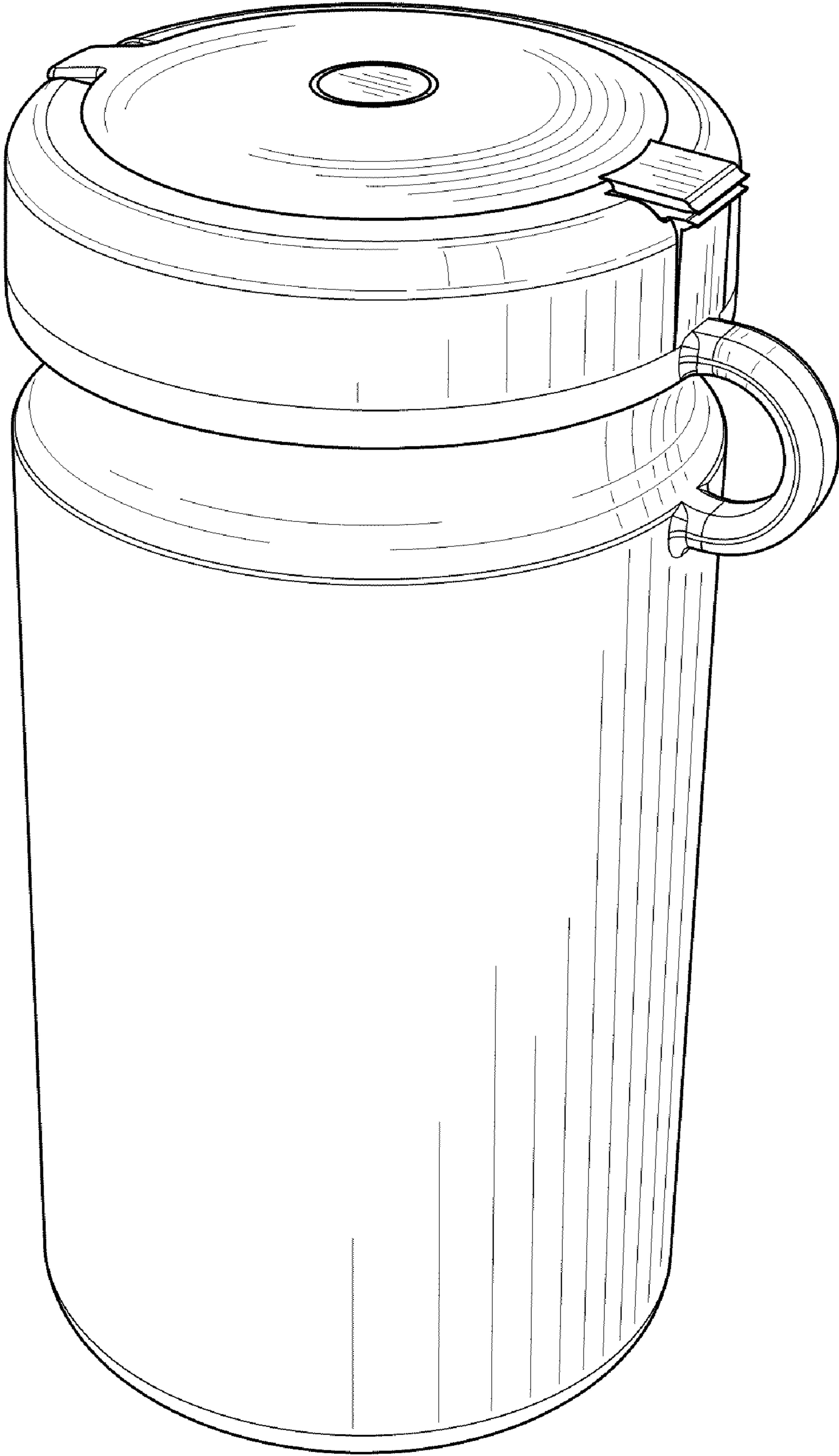


Fig. 1

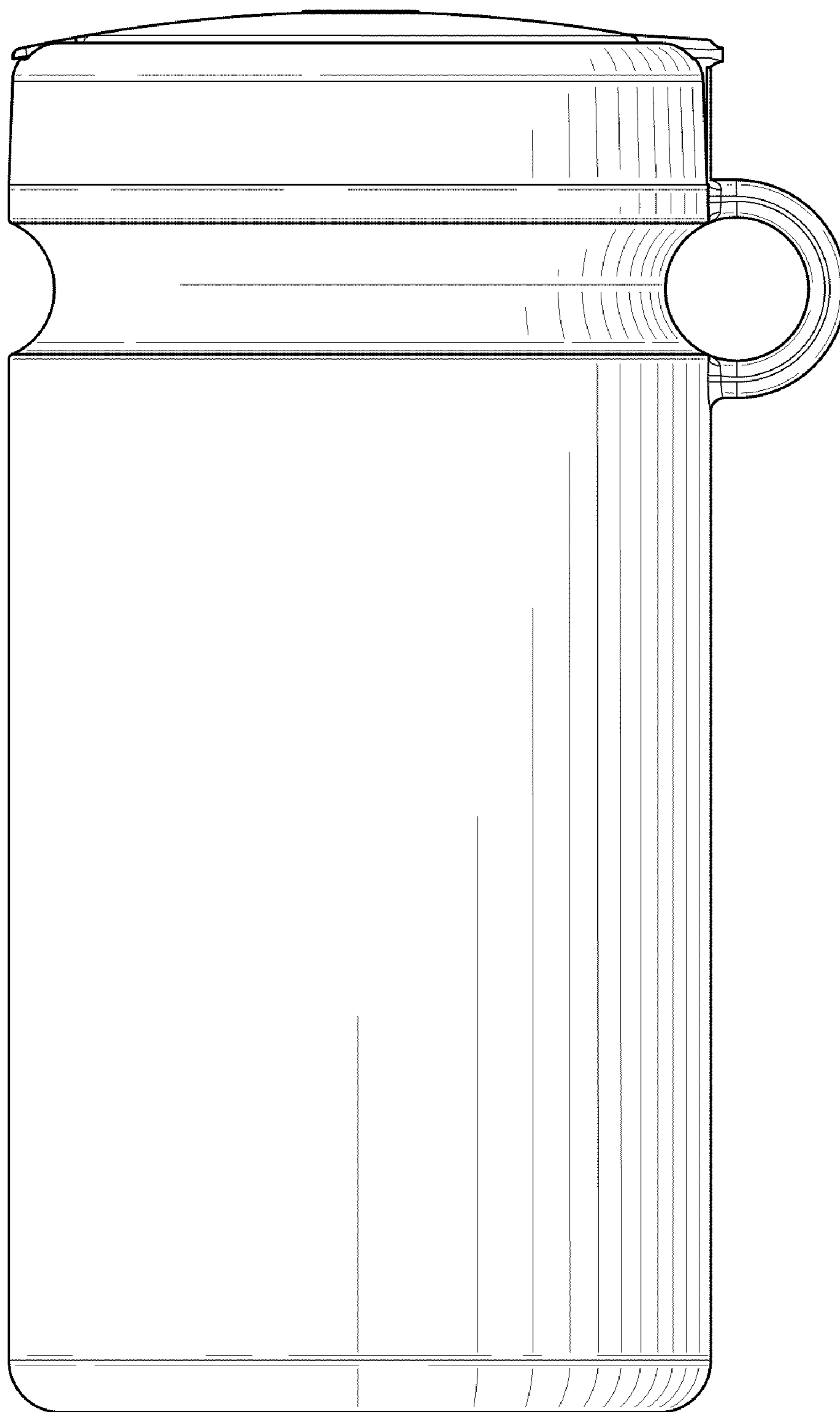


Fig. 2

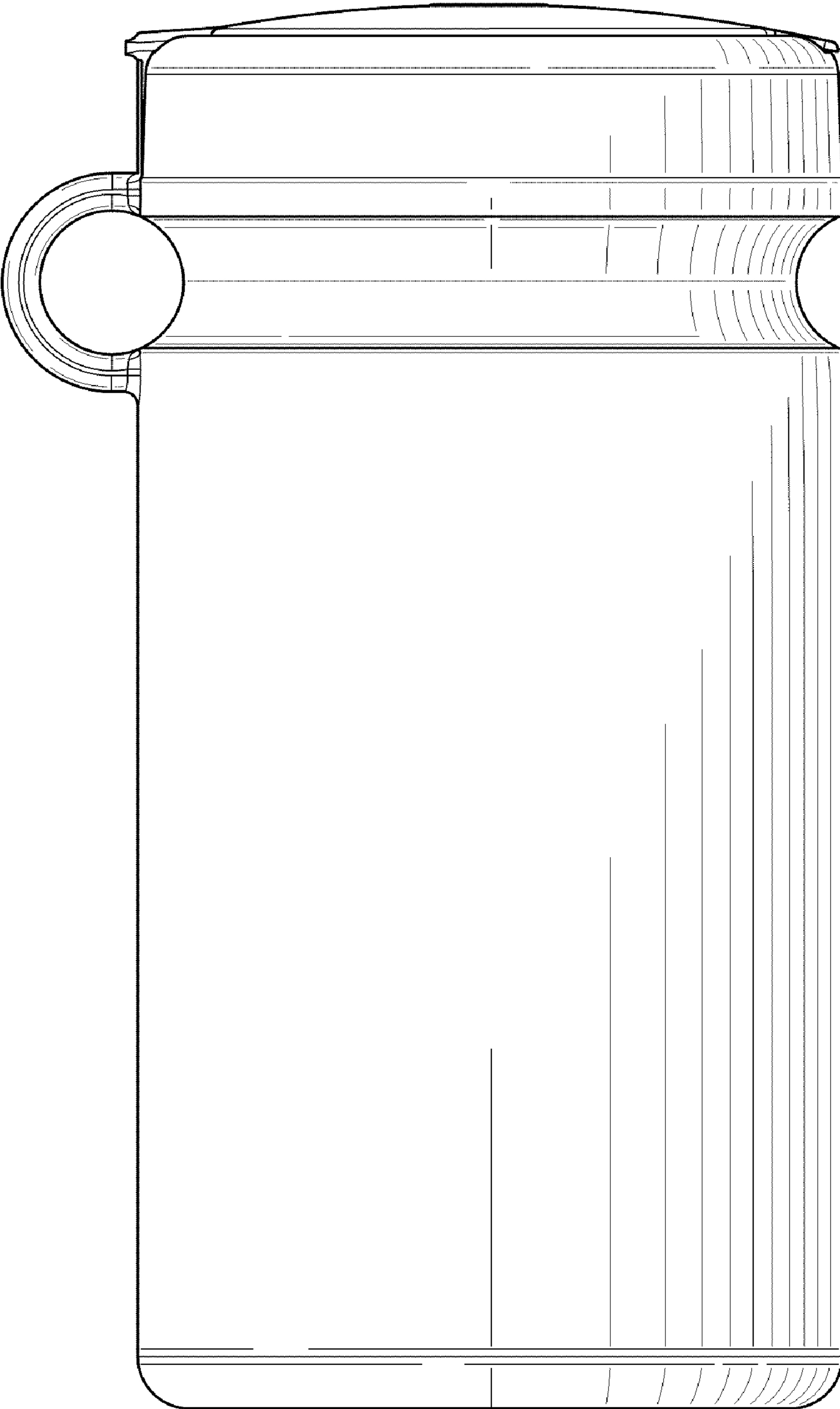


Fig. 3

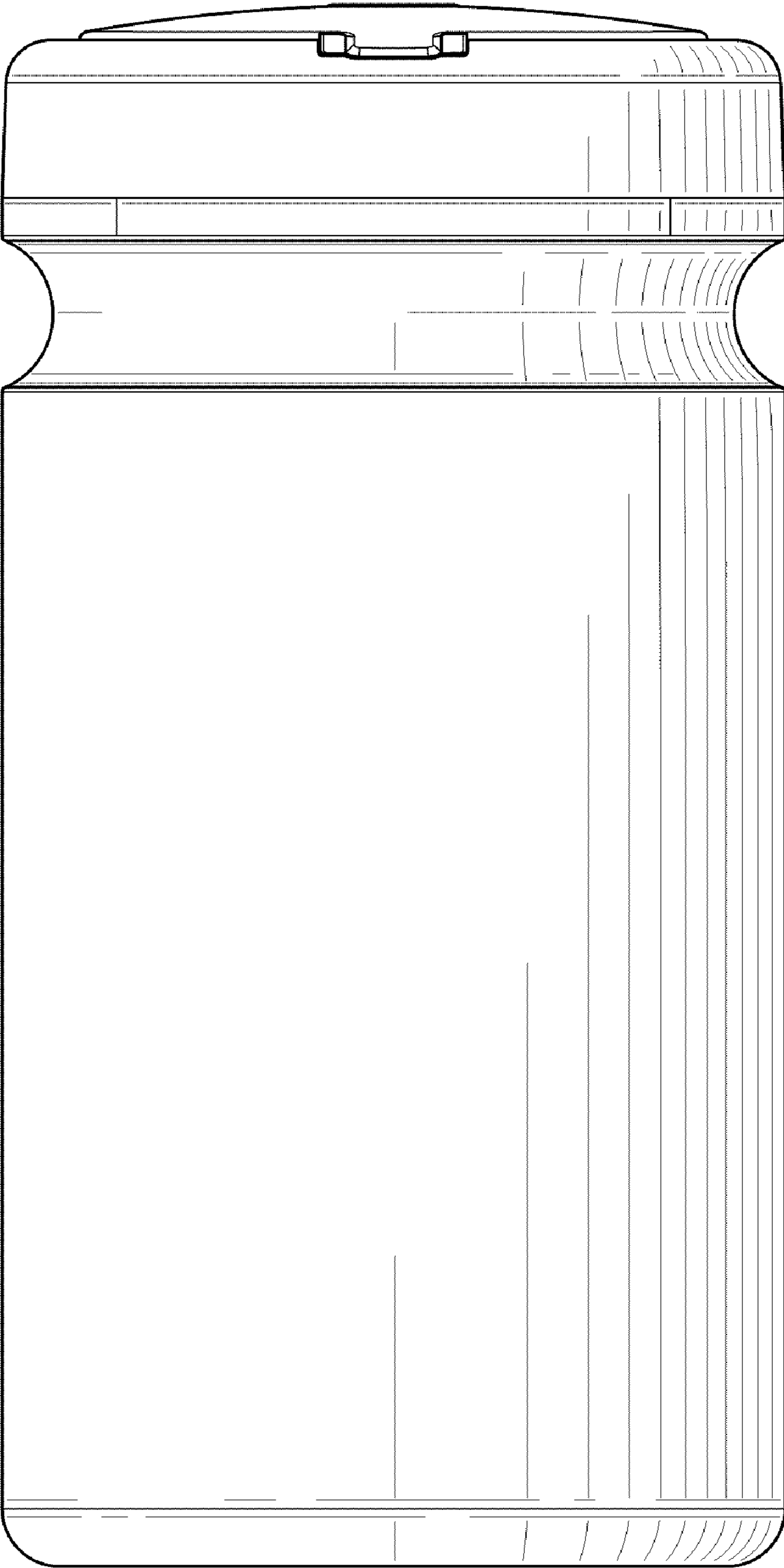


Fig. 4

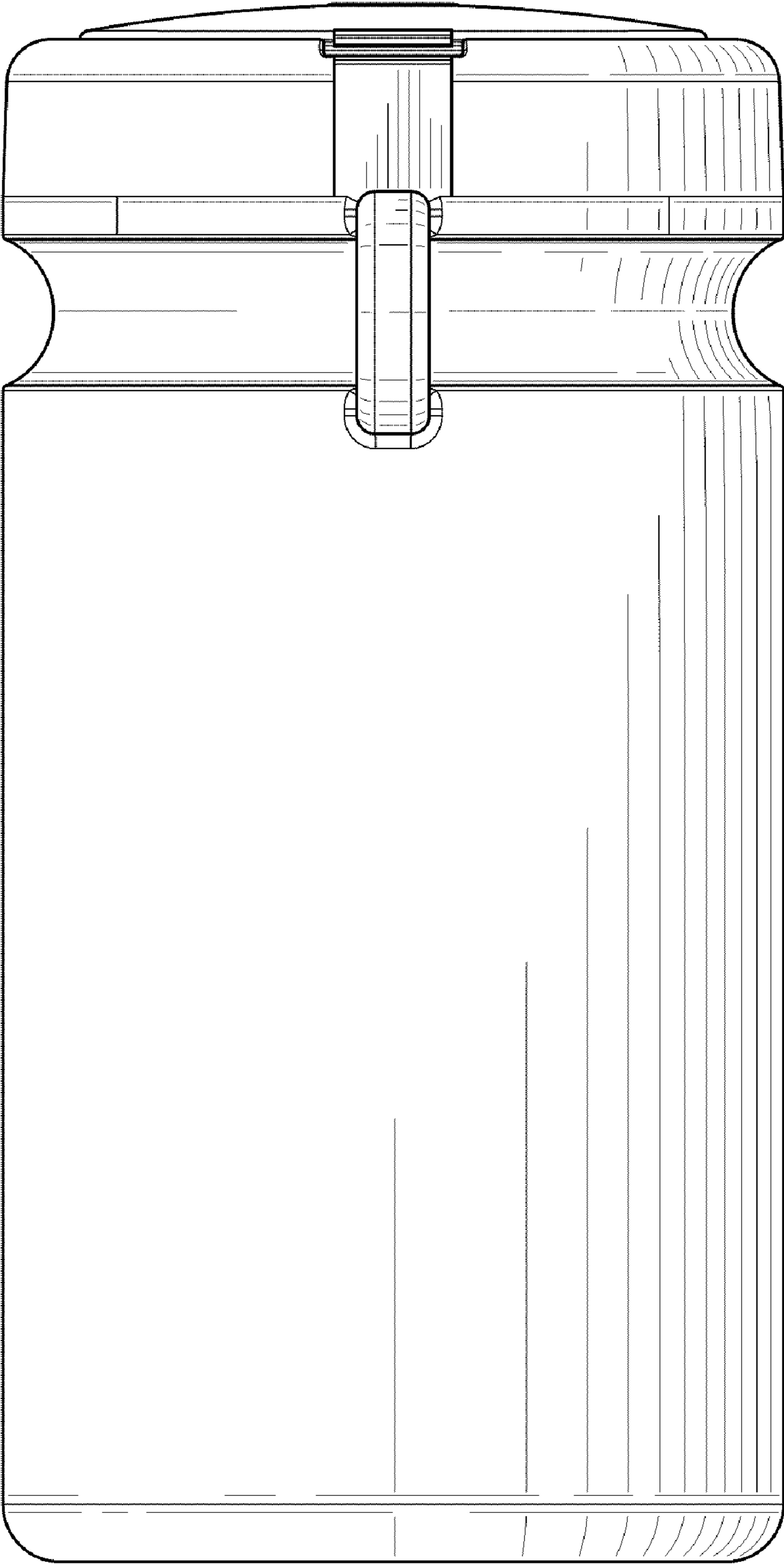


Fig. 5

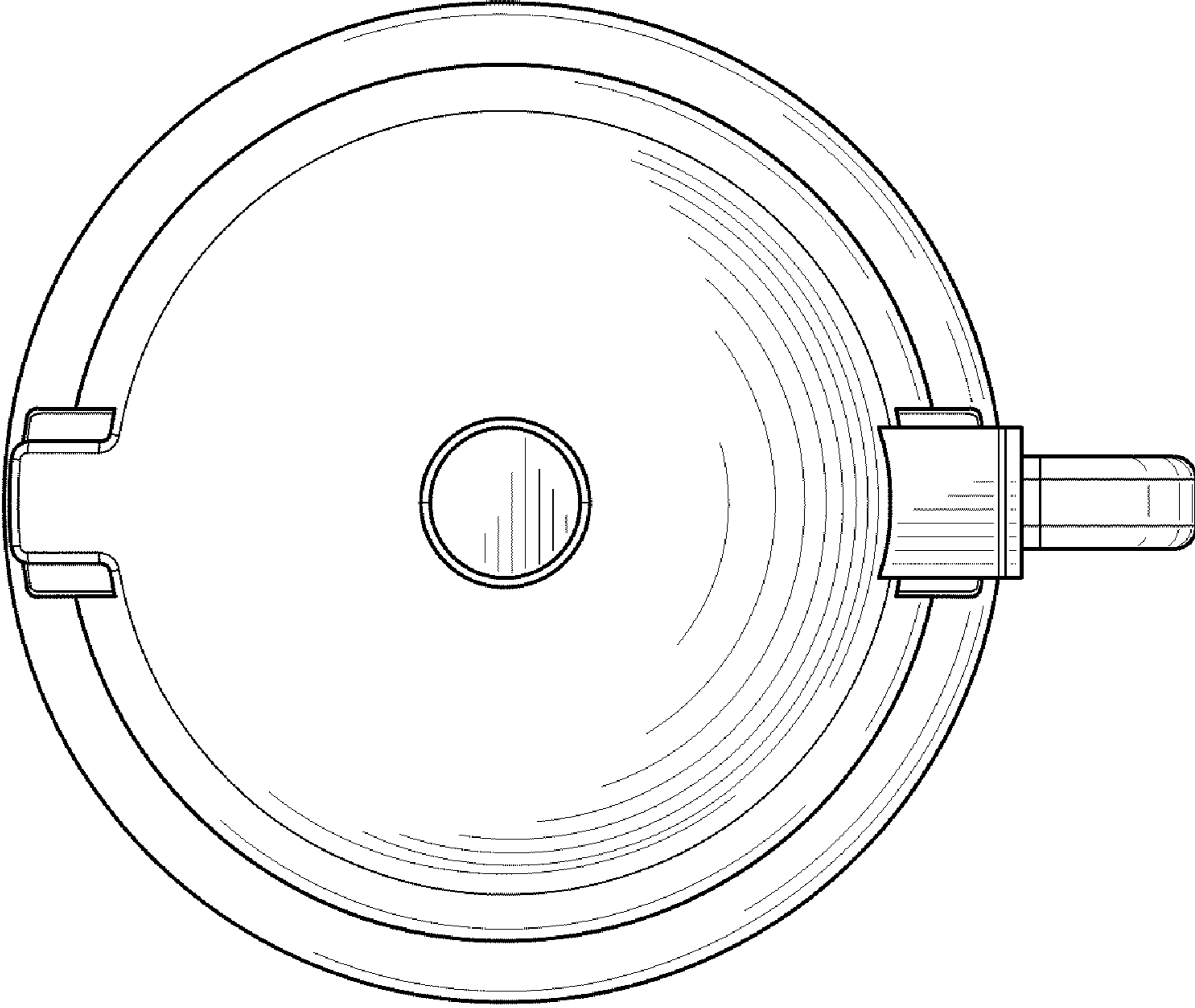


Fig. 6

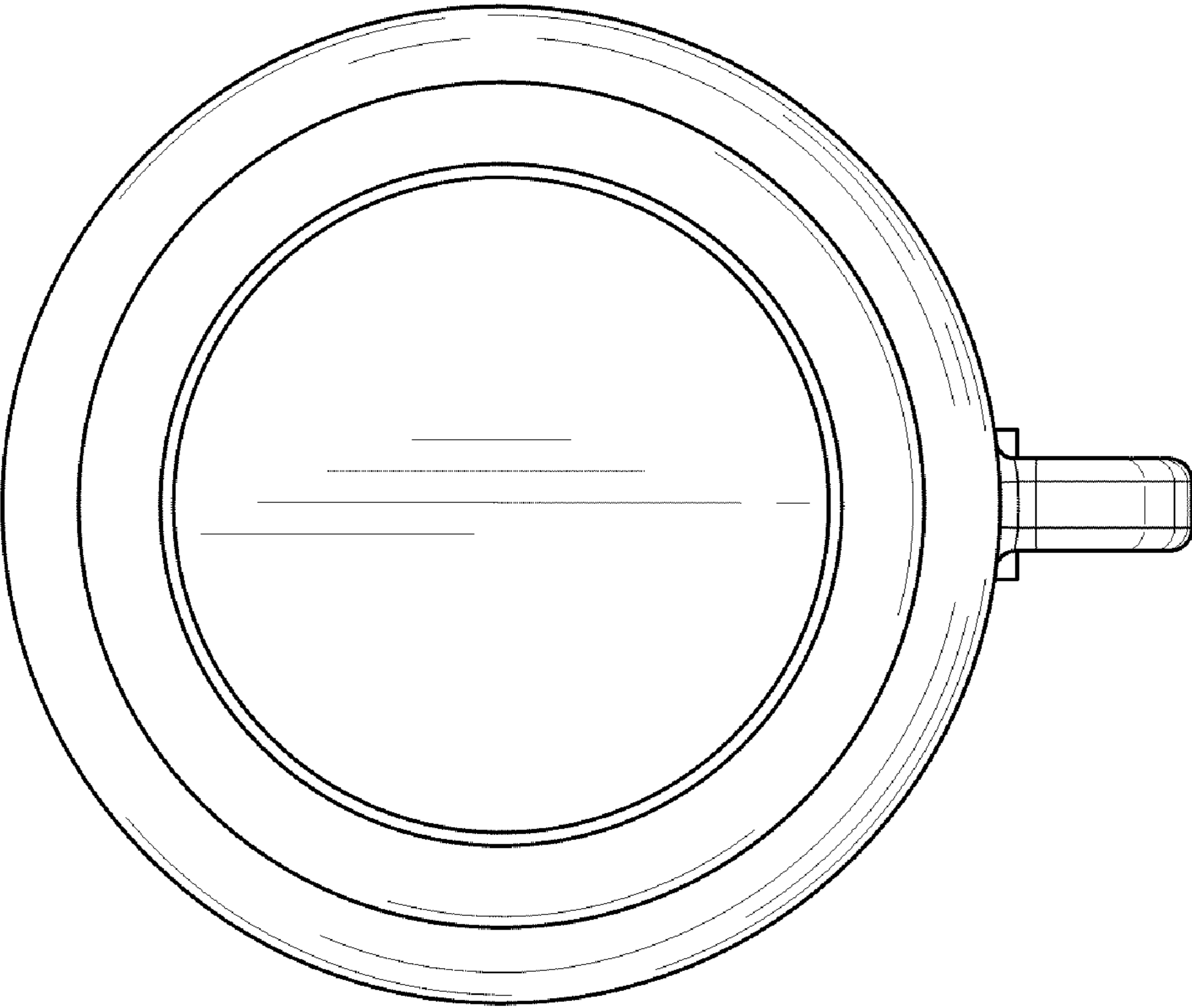


Fig. 7