



US00D646980S

(12) **United States Design Patent**
Inoi

(10) **Patent No.:** **US D646,980 S**
(45) **Date of Patent:** **** Oct. 18, 2011**

(54) **BOTTLE**

(75) Inventor: **Kazuyoshi Inoi**, Osaka (JP)

(73) Assignee: **Otsuka Pharmaceutical Co., Ltd** (JP)

(**) Term: **14 Years**

(21) Appl. No.: **29/358,428**

(22) Filed: **Mar. 26, 2010**

(30) **Foreign Application Priority Data**

Sep. 28, 2009 (JP) 2009-022396

(51) **LOC (9) Cl.** **09-01**

(52) **U.S. Cl.** **D9/552; D9/558**

(58) **Field of Classification Search** D9/500,
D9/502, 516, 520, 530, 537, 538, 542, 549,
D9/551, 552, 558, 574; 215/381-385, 379;
220/600, 602, 604, 608, 660, 662, 665, 669-675
See application file for complete search history.

(56) **References Cited**

U.S. PATENT DOCUMENTS

D200,443 S *	2/1965	Deegan	D34/39
D322,936 S *	1/1992	Maginnis, Jr.	D9/538
D414,700 S *	10/1999	Zogg	D9/502
D453,003 S *	1/2002	Rashid	D9/502
D457,435 S *	5/2002	Rashid	D9/502
D464,264 S *	10/2002	Edson et al.	D9/502
D477,230 S *	7/2003	Takaichi	D9/538
D482,622 S *	11/2003	Martin	D9/538
D541,157 S *	4/2007	Samartgis	D9/502
D556,580 S	12/2007	Yamada		
D556,581 S	12/2007	Yamada		
D622,605 S *	8/2010	Perez et al.	D9/556
D624,824 S *	10/2010	Perez et al.	D9/551
2008/0197105 A1 *	8/2008	Boukobza	215/381

FOREIGN PATENT DOCUMENTS

DE	40003643	4/2000
JP	1037470	4/1999
JP	1037471	4/1999
JP	1097824	1/2001
JP	1195272	1/2004
JP	1224704	12/2004
JP	1256060	11/2005
JP	1260353	1/2006
JP	1322500	2/2008
JP	1322969	2/2008
KR	3001325830000	10/1992
KR	3001729420000	12/1995
KR	3001325830001	2/1996
WO	062318	11/2002

OTHER PUBLICATIONS

U.S. Appl. No. 29/341,503, filed Aug. 6, 2009.

* cited by examiner

Primary Examiner — Stella Reid

Assistant Examiner — Keli L Hill

(74) *Attorney, Agent, or Firm* — SAIDMAN DesignLaw Group

(57) **CLAIM**

The ornamental design for a bottle, as shown and described.

DESCRIPTION

FIG. 1 is a front view of a bottle showing our new design;

FIG. 2 is a rear view thereof;

FIG. 3 is a left side view thereof;

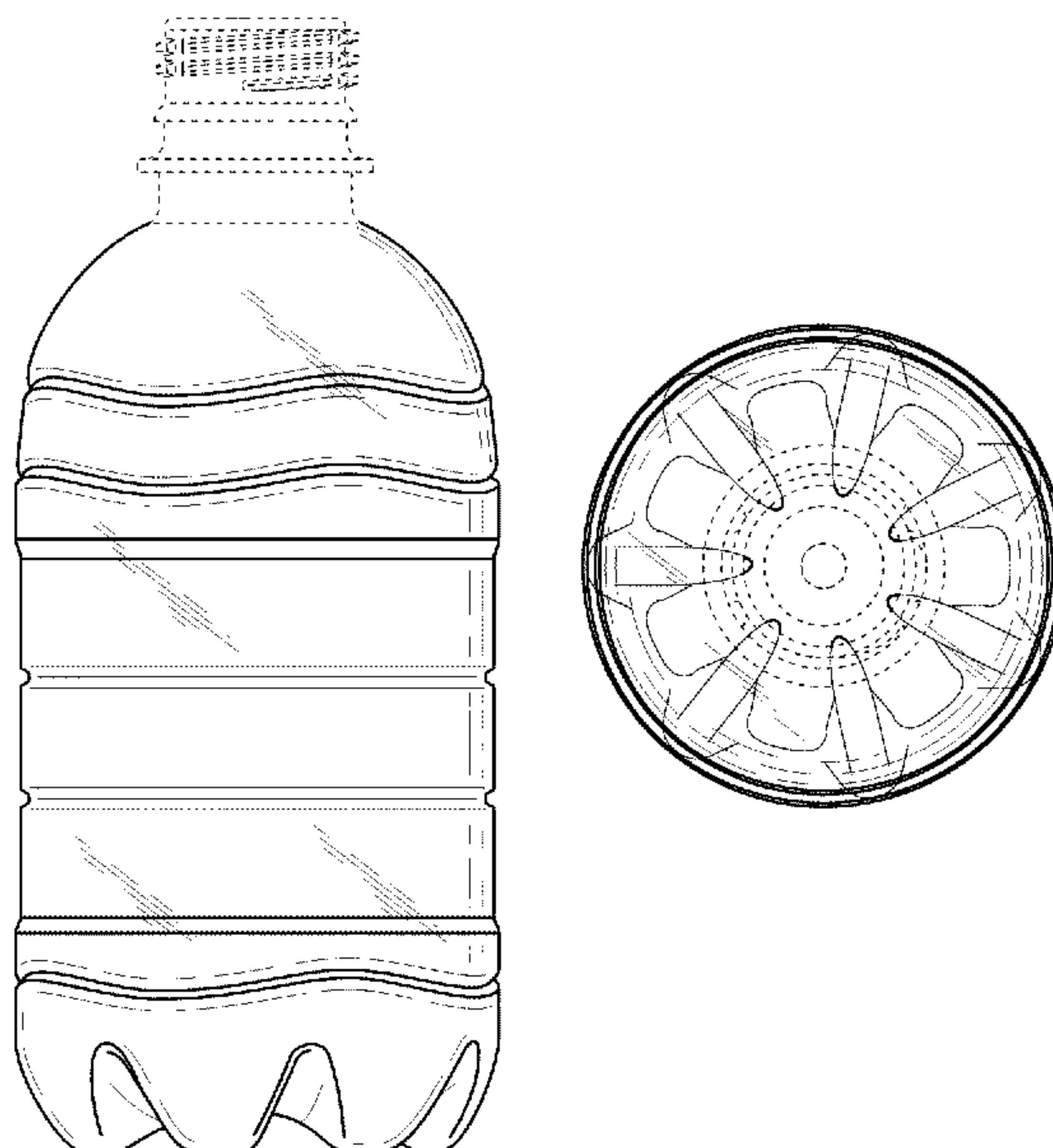
FIG. 4 is a right side view thereof;

FIG. 5 is a top view thereof; and,

FIG. 6 is a bottom view thereof.

The dashed broken lines are for the purpose of illustrating portions of the bottle; the broken lines form no part of the claimed design.

1 Claim, 5 Drawing Sheets



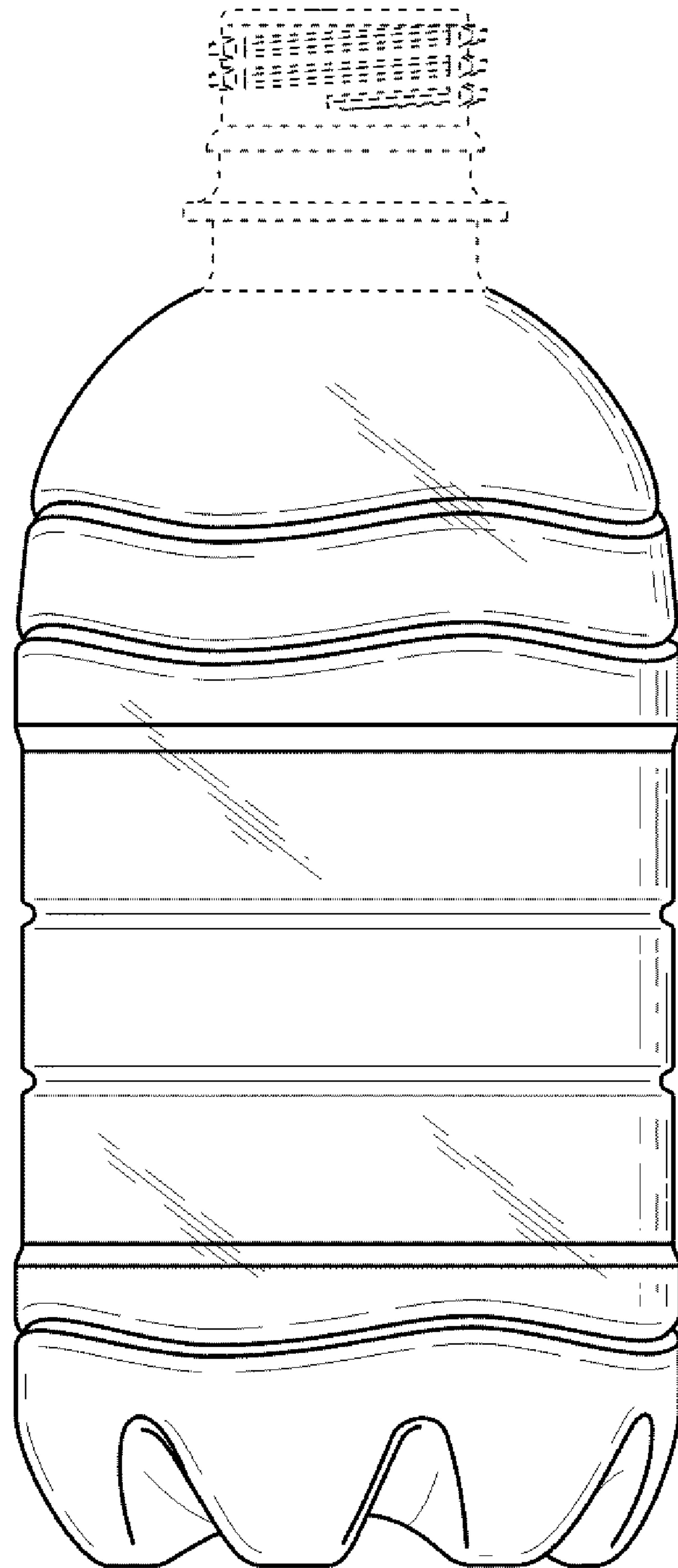


FIG. 1

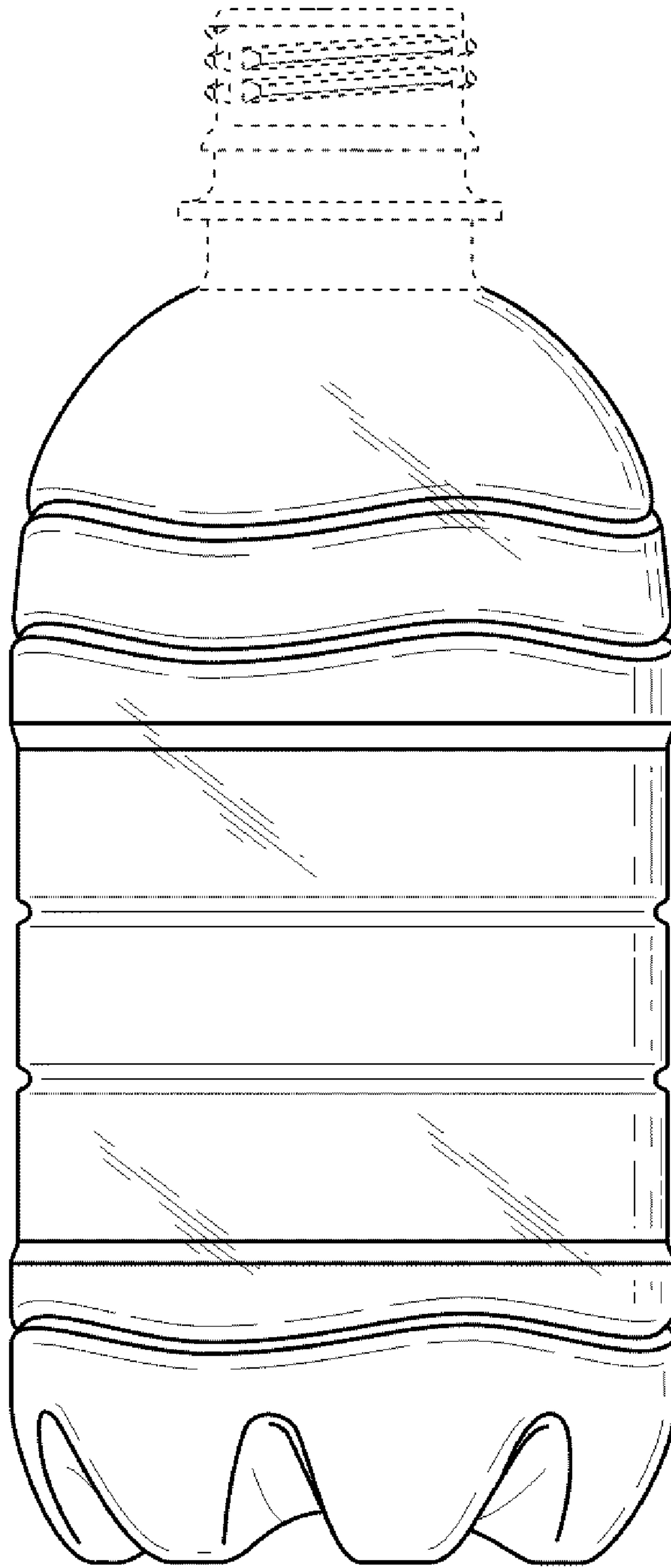


FIG. 2

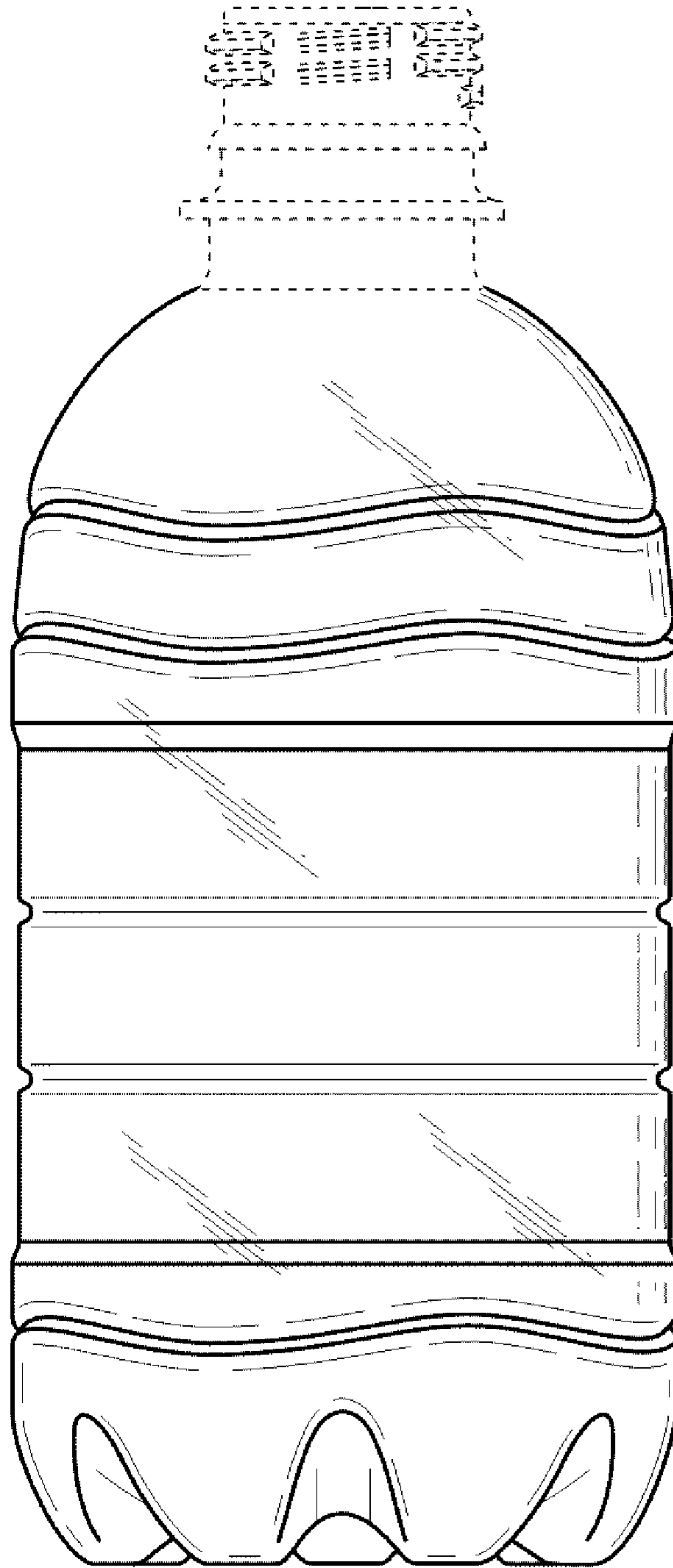


FIG. 3

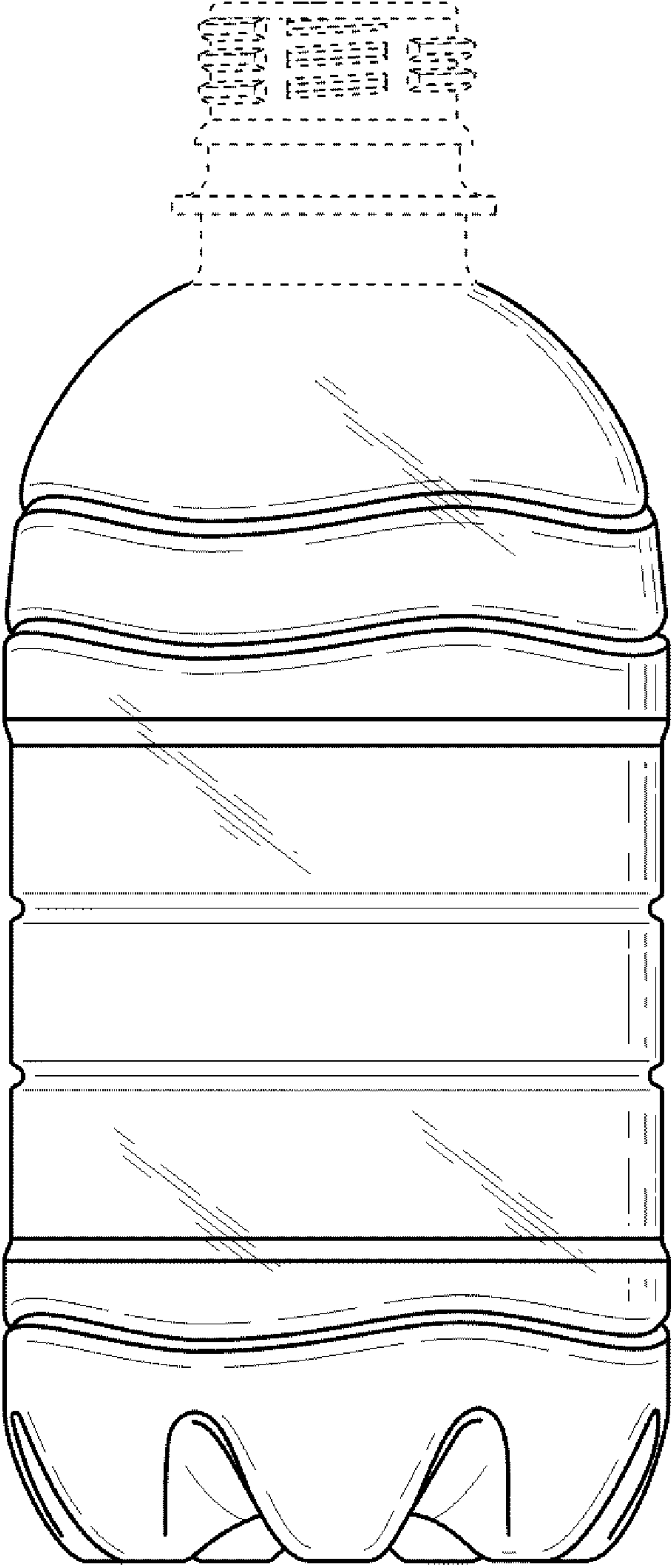


FIG. 4

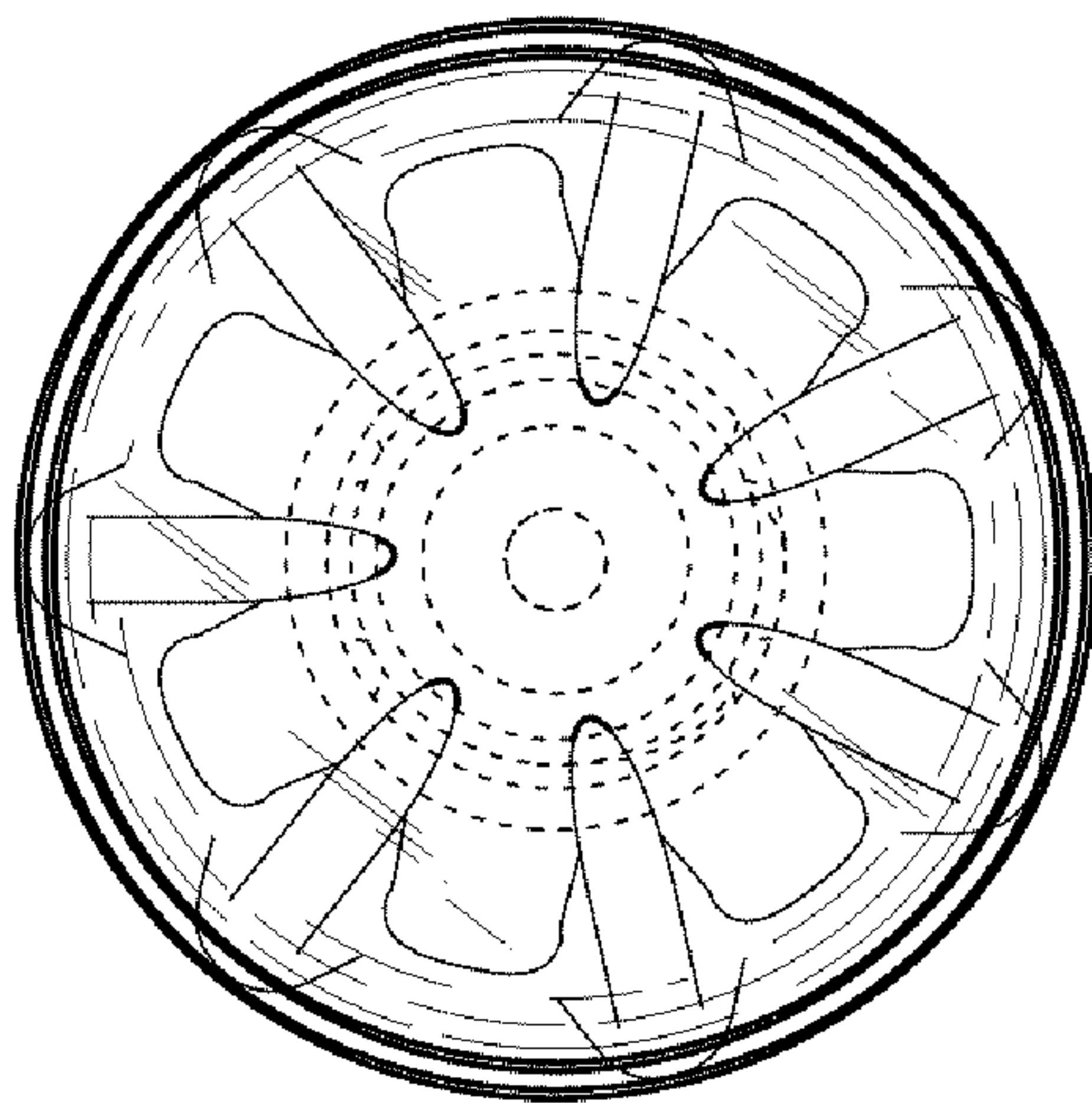


FIG. 5

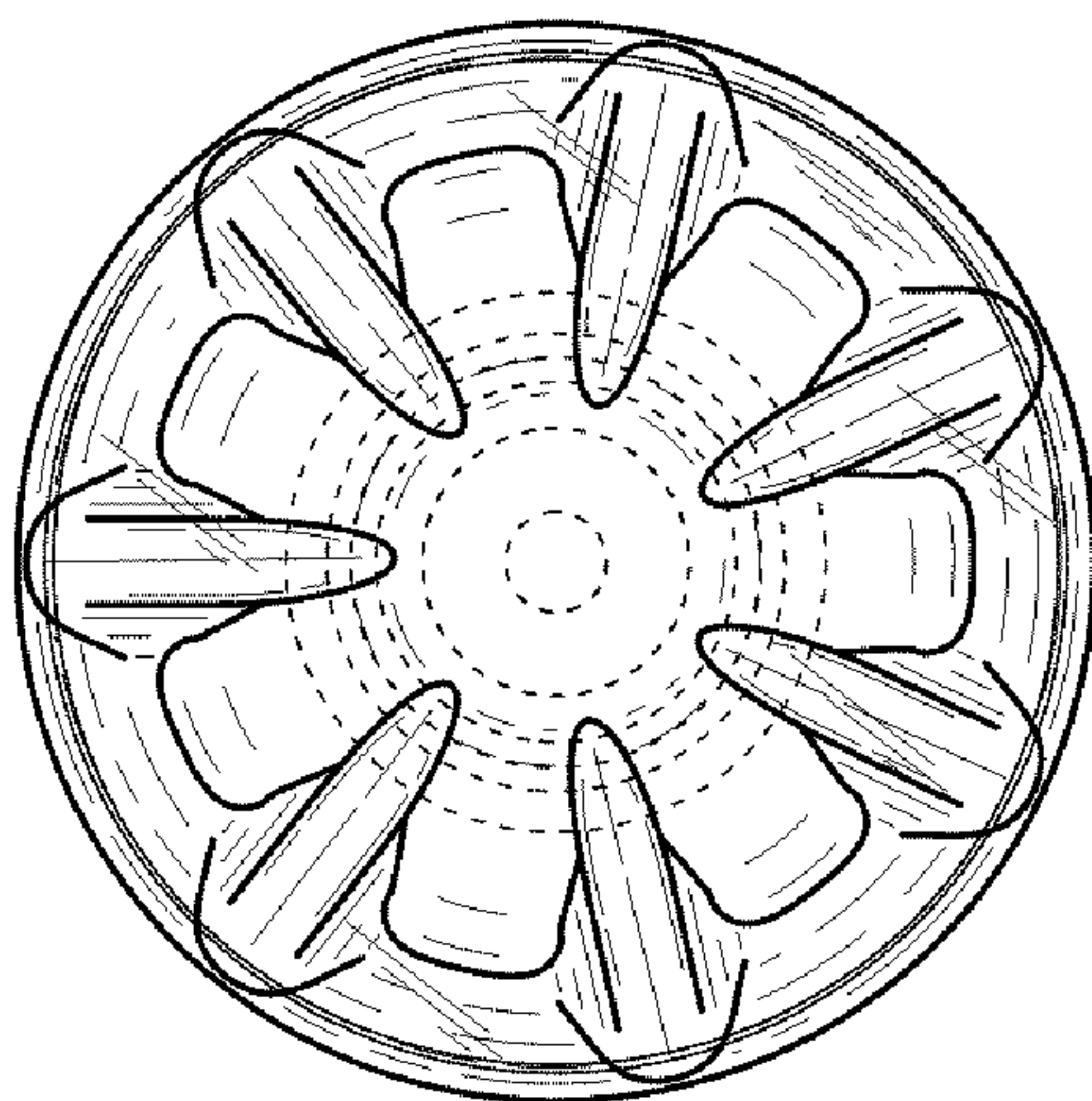


FIG. 6