



US00D646974S

(12) **United States Design Patent**
Latour

(10) **Patent No.:** **US D646,974 S**

(45) **Date of Patent:** **** Oct. 18, 2011**

(54) **BOTTLE**

(76) **Inventor:** **Luis M Latour**, Miami, FL (US)

(**) **Term:** **14 Years**

(21) **Appl. No.:** **29/366,489**

(22) **Filed:** **Jul. 26, 2010**

(51) **LOC (9) Cl.** **09-01**

(52) **U.S. Cl.** **D9/523; D9/541; D9/543; D9/566;**
D9/570; D9/575; D9/452; D9/454

(58) **Field of Classification Search** D9/516,
D9/523, 526, 529-530, 541-543, 547, 553-554,
D9/556-557, 566-567, 569-570, 574-575,
D9/452, 454; 215/379, 381-382, 384; D23/211,
D23/211.1, 211.2

See application file for complete search history.

(56) **References Cited**

U.S. PATENT DOCUMENTS

D78,314 S *	4/1929	Routt	D9/553 X
D143,044 S *	11/1945	Steelman	D9/557 X
D164,784 S *	10/1951	Lipton	D9/566 X
D167,991 S *	10/1952	Mack	D23/211.2
D188,260 S *	6/1960	Ray	D23/211.1
D191,804 S *	11/1961	Bloch	D9/523
D192,190 S *	2/1962	Wheeler	D9/526
D195,650 S *	7/1963	Koenigsberg	D9/542
D201,313 S *	6/1965	Josephsen	D9/543 X
D203,787 S *	2/1966	Dyer	D24/110
D211,504 S *	6/1968	Vanderhyde	D9/523
D214,995 S *	8/1969	Shutt	D23/211.1

D218,281 S *	8/1970	Diener	D9/523
D228,124 S *	8/1973	Yamakawa	D9/523
D269,948 S *	8/1983	Janssen	D9/523
D274,220 S *	6/1984	Biesecker	D9/503
D279,079 S *	6/1985	Pourtout	D9/553
D285,658 S *	9/1986	Katz	D9/566 X
D286,264 S *	10/1986	Katz	D9/575 X
D303,084 S *	8/1989	Sedam et al.	D9/543 X
D352,659 S *	11/1994	Nilsson et al.	D9/528 X
D421,224 S *	2/2000	Piel	D9/553
D516,917 S *	3/2006	Baron	D9/523
D569,476 S *	5/2008	Munlin	D23/211.1
D597,845 S *	8/2009	Brady	D9/541
D605,048 S *	12/2009	Smith, III	D9/570 X

* cited by examiner

Primary Examiner — Carol P Rademaker

(74) *Attorney, Agent, or Firm* — Lott & Fischer, PL

(57) **CLAIM**

The ornamental design for a bottle, substantially as shown and described.

DESCRIPTION

FIG. 1 is a top, front, and left side perspective view of my new design;

FIG. 2 is a top, rear, and left side perspective view thereof;

FIG. 3 is a front elevational view thereof;

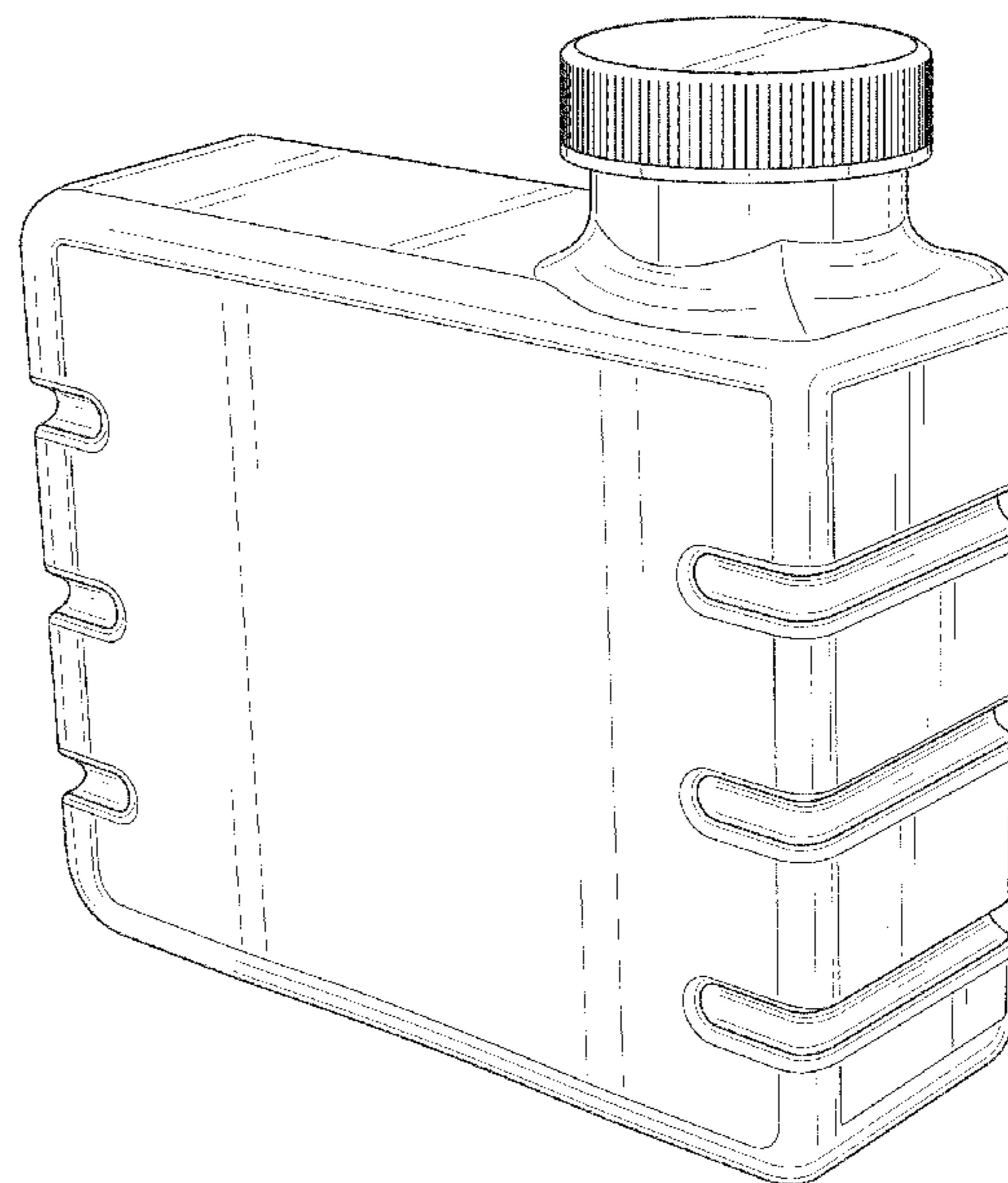
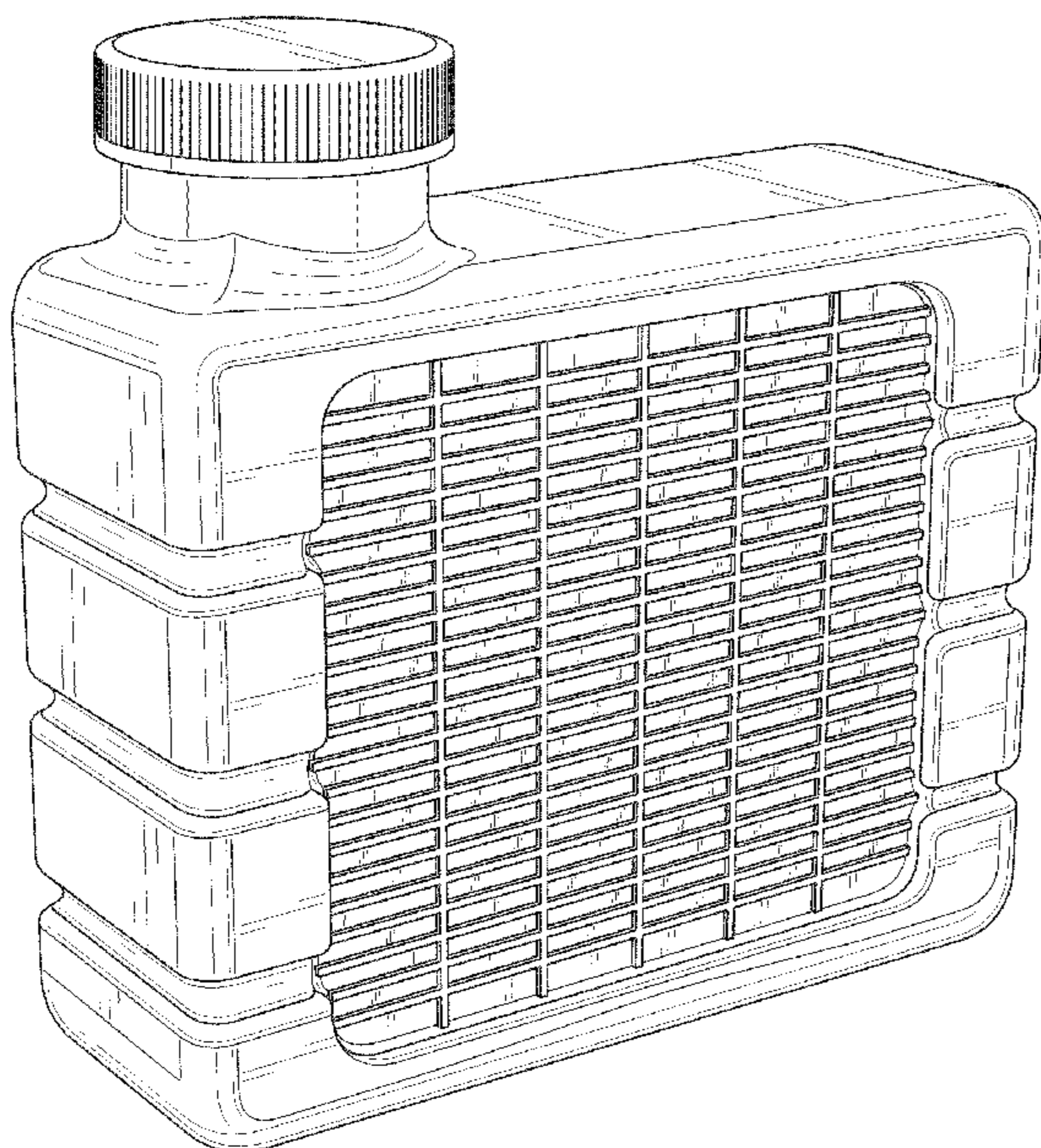
FIG. 4 is a rear elevational view thereof;

FIG. 5 is a left side elevational view thereof;

FIG. 6 is a right side elevational view thereof; and,

FIG. 7 is a top plan view thereof.

1 Claim, 6 Drawing Sheets



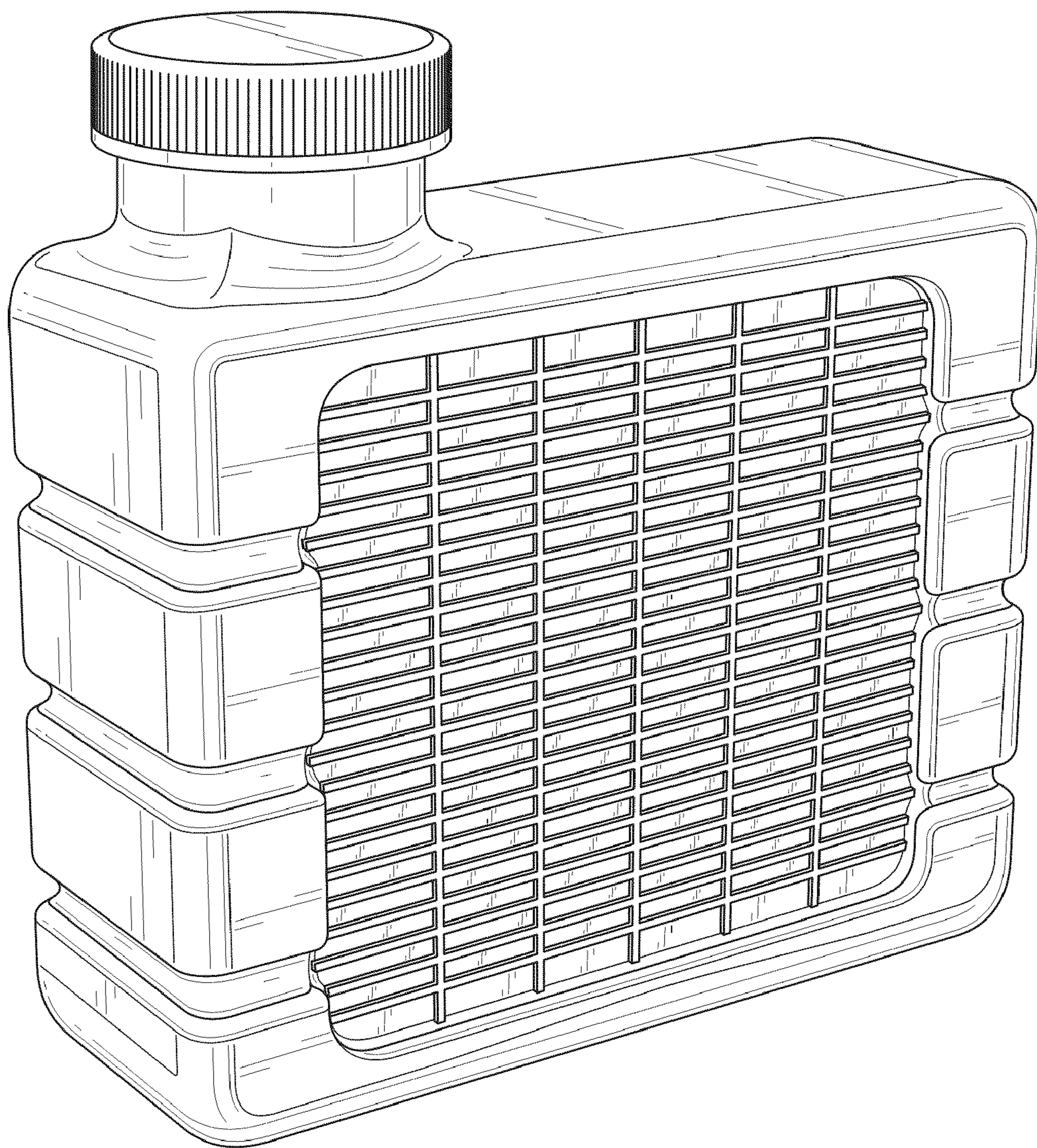


FIG. 1

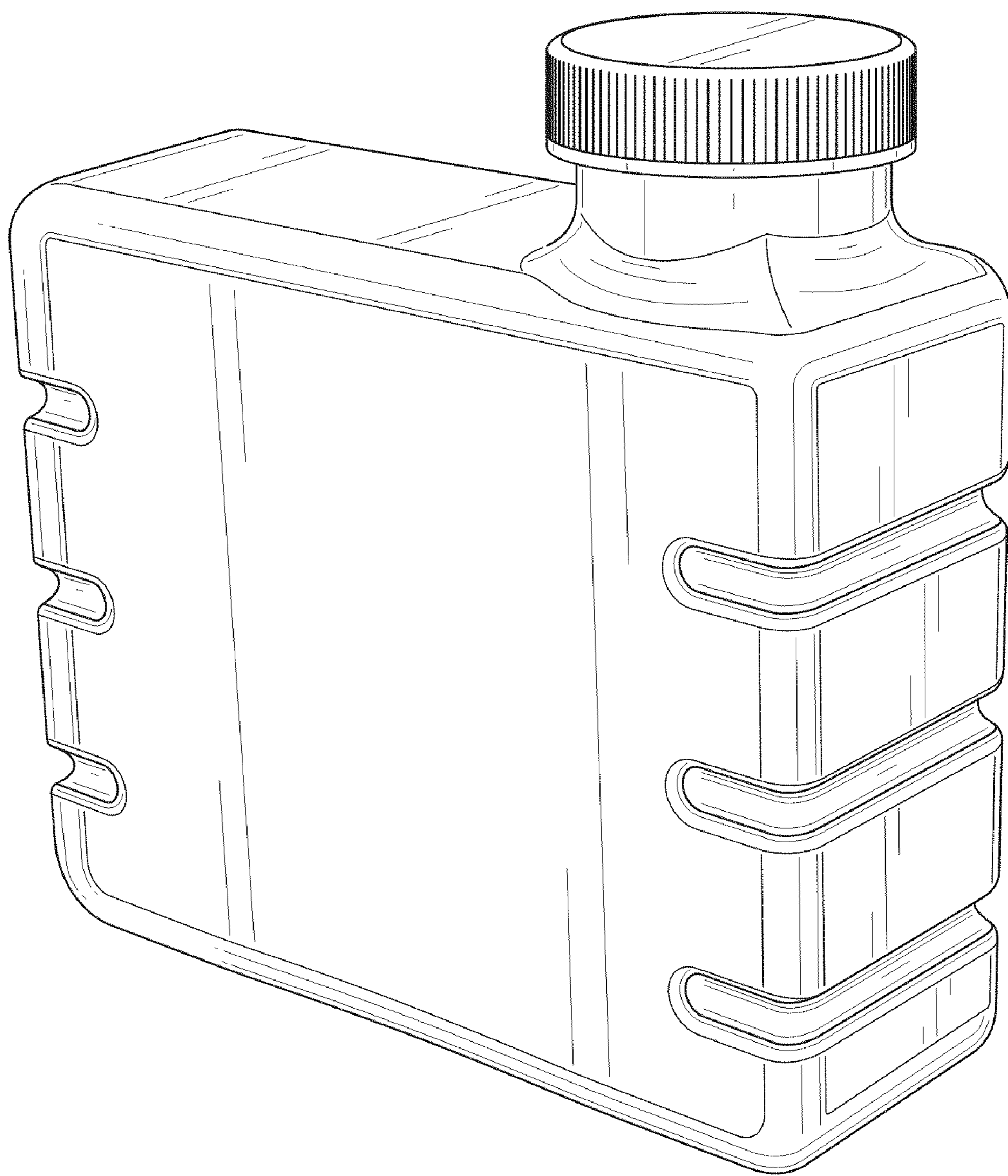


FIG. 2

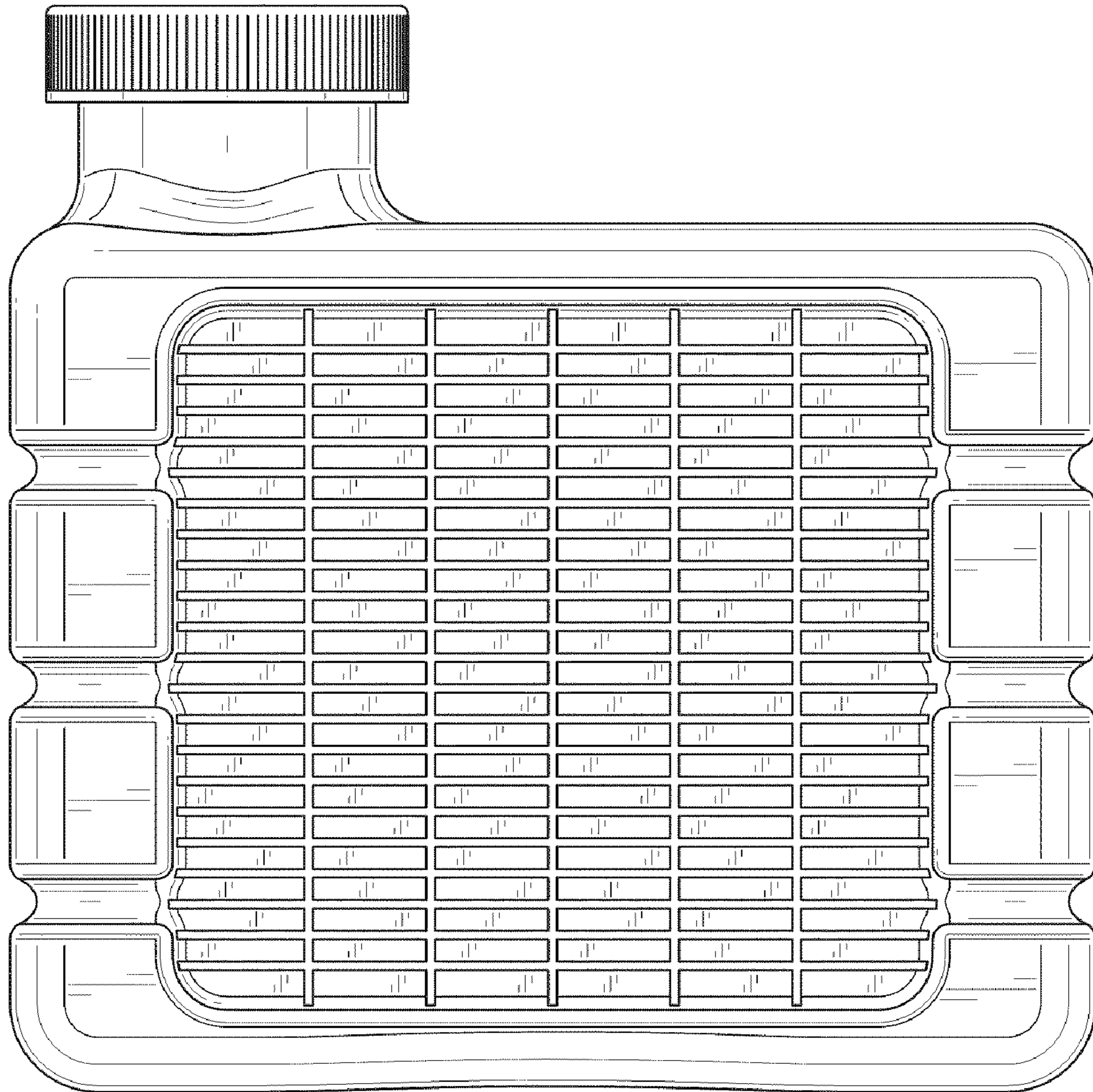


FIG. 3

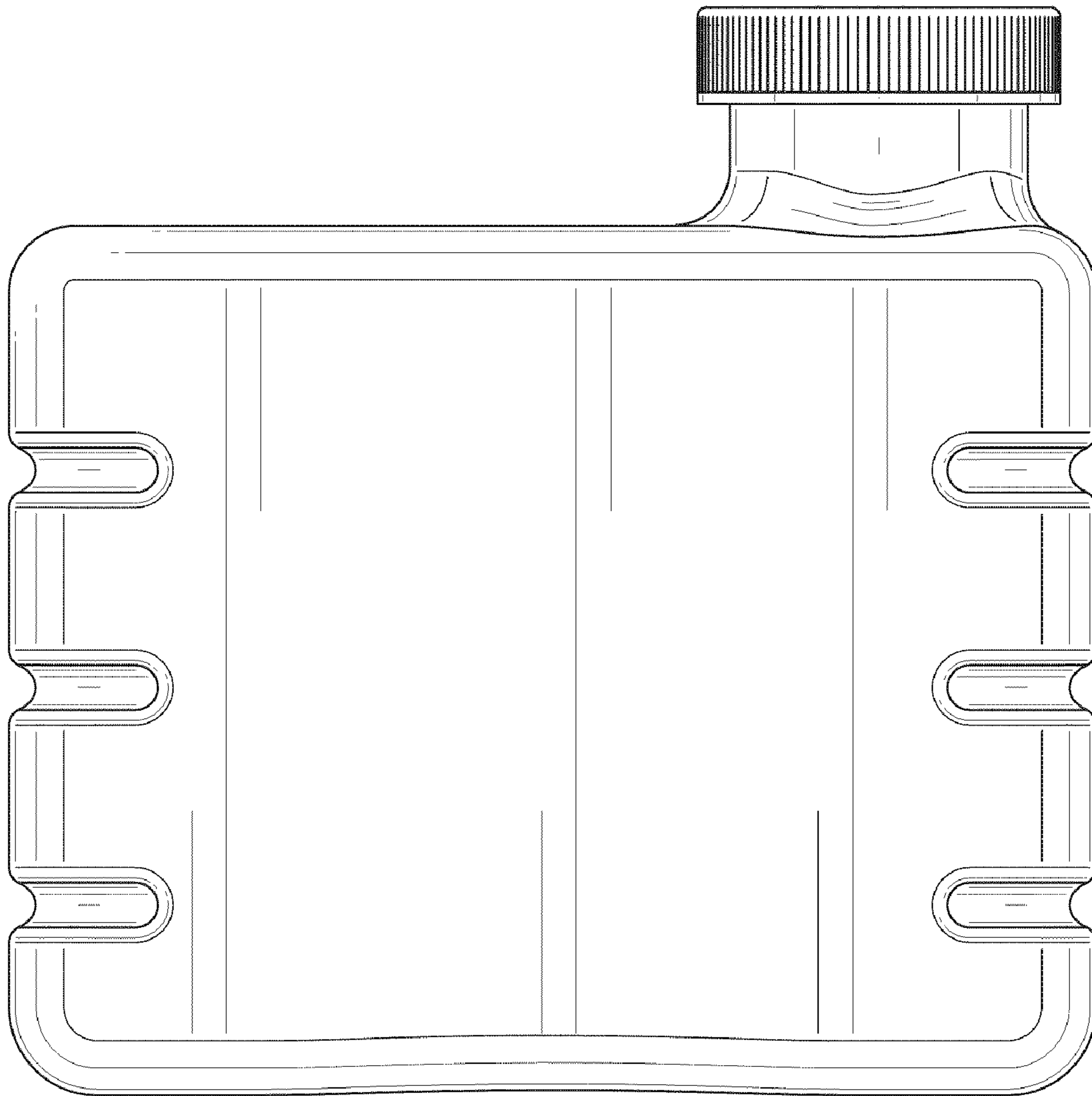


FIG. 4

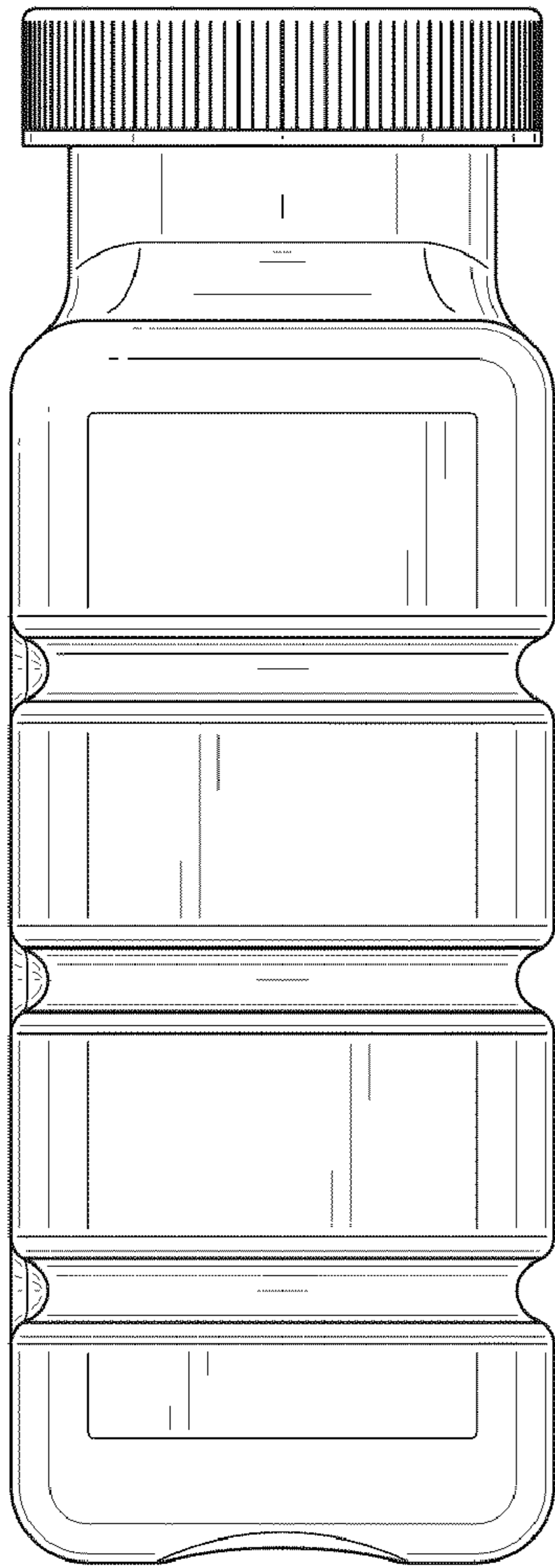


FIG. 5

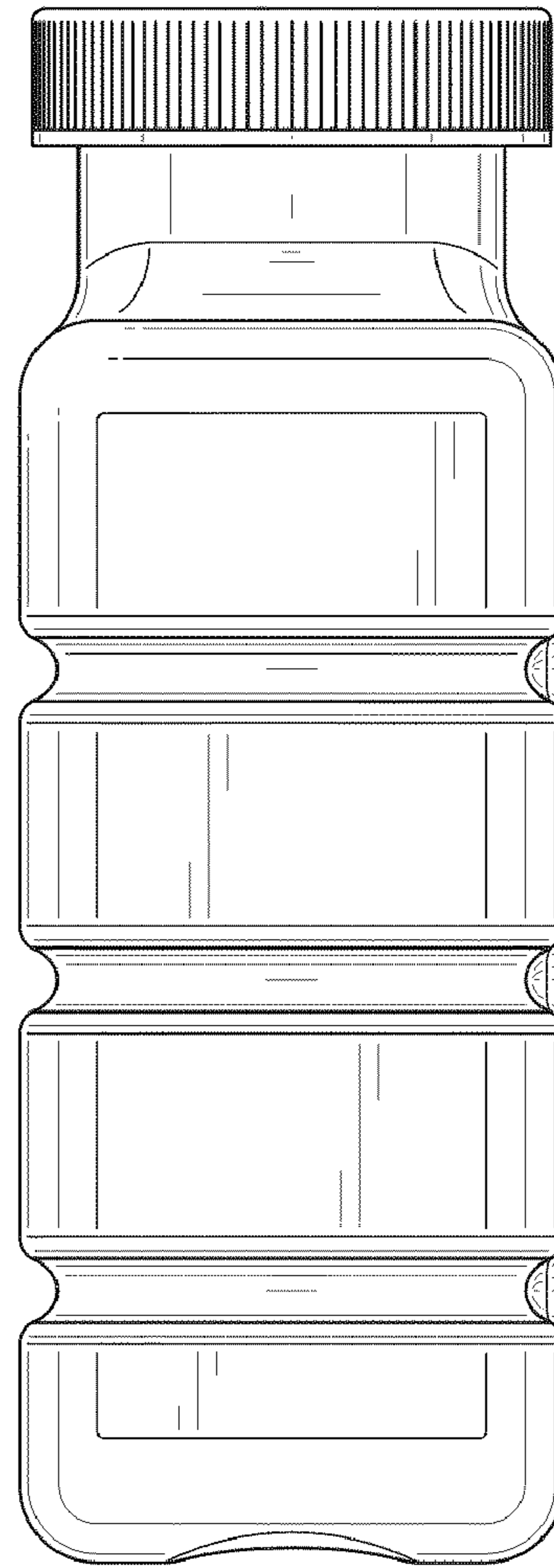


FIG. 6

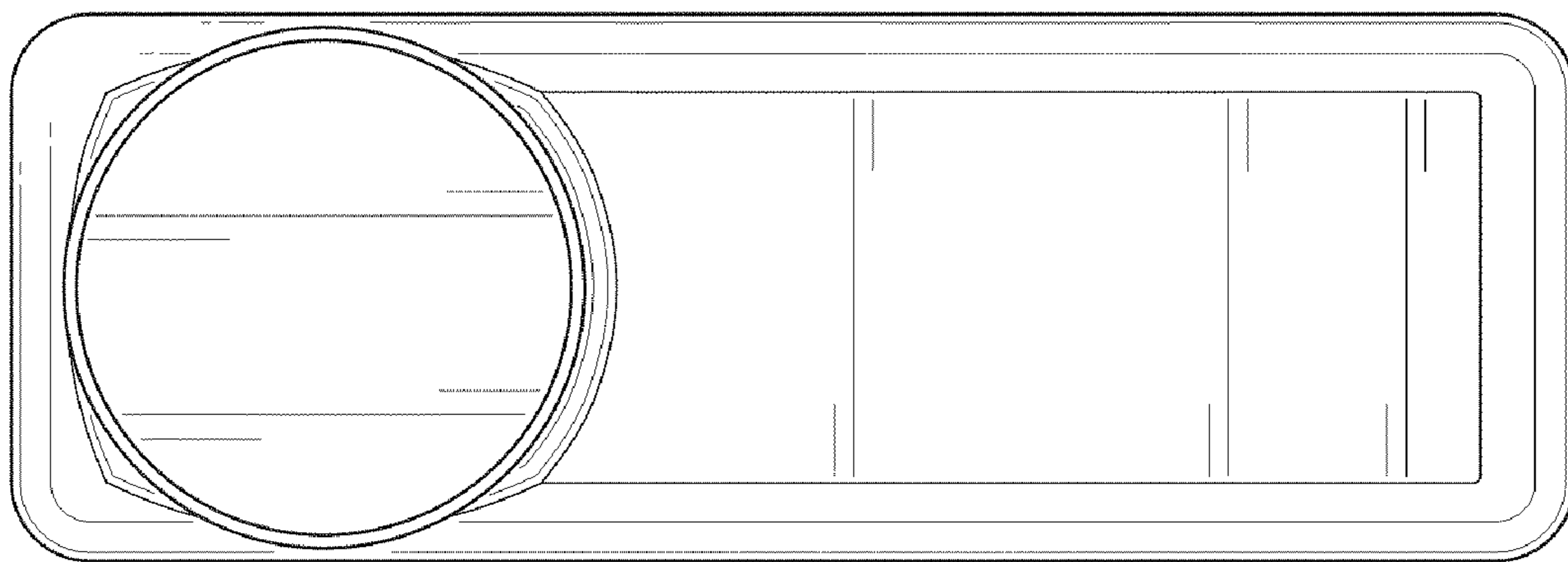


FIG. 7