



US00D646973S

(12) **United States Design Patent**
Flanagan-Kent et al.

(10) **Patent No.:** **US D646,973 S**

(45) **Date of Patent:** **** Oct. 18, 2011**

(54) **CONTAINER**

(75) Inventors: **Laura A. Flanagan-Kent**, Decatur, GA (US); **Randal D. Porter**, Norcross, GA (US); **Daniel M. Futral**, Marietta, GA (US)

(73) Assignee: **Silgan Plastics Corporation**, Chesterfield, MO (US)

(**) Term: **14 Years**

(21) Appl. No.: **29/378,594**

(22) Filed: **Nov. 5, 2010**

(51) **LOC (9) Cl.** **09-01**

(52) **U.S. Cl.** **D9/500; D9/521**

(58) **Field of Classification Search** D9/516,
D9/521, 529-530, 537-543, 549, 551, 557-558,
D9/574, 682, 686, 688-692, 695, 500, 502-505;
215/379, 381-382; 220/660, 669, 675

See application file for complete search history.

(56) **References Cited**

U.S. PATENT DOCUMENTS

1,450,279	A *	4/1923	Chick	220/8
2,562,523	A	7/1951	Brunet		
D175,598	S *	9/1955	Hills	D7/590
2,911,673	A	11/1959	Soubier		
D198,054	S *	4/1964	Lowry	D9/504
D204,170	S *	3/1966	Johnson	D9/500
D209,177	S *	11/1967	Ferguson	D9/500
D214,427	S *	6/1969	Kassin	D9/551
3,855,380	A	12/1974	Gordon et al.		
D241,716	S *	10/1976	Douglas	D9/556

4,176,153	A	11/1979	Weiler et al.		
4,342,184	A	8/1982	Van Eck et al.		
D278,797	S *	5/1985	Fortuna	D9/500
D285,532	S *	9/1986	MacLaughlin	D9/556
4,806,092	A	2/1989	Linss et al.		
D484,414	S *	12/2003	Kerr	D9/500
6,852,267	B1	2/2005	Keller		
D553,499	S *	10/2007	Lavelli	D9/500

* cited by examiner

Primary Examiner — Ian Simmons

Assistant Examiner — Dana L Sipos

(74) *Attorney, Agent, or Firm* — Reinhart Boerner Van Deuren s.c.

(57) **CLAIM**

We claim the ornamental design for a container, as shown and described.

DESCRIPTION

FIG. 1 is a perspective view of a container of the claimed design;

FIG. 2 is a right side elevation view thereof, the left side elevation view being identical;

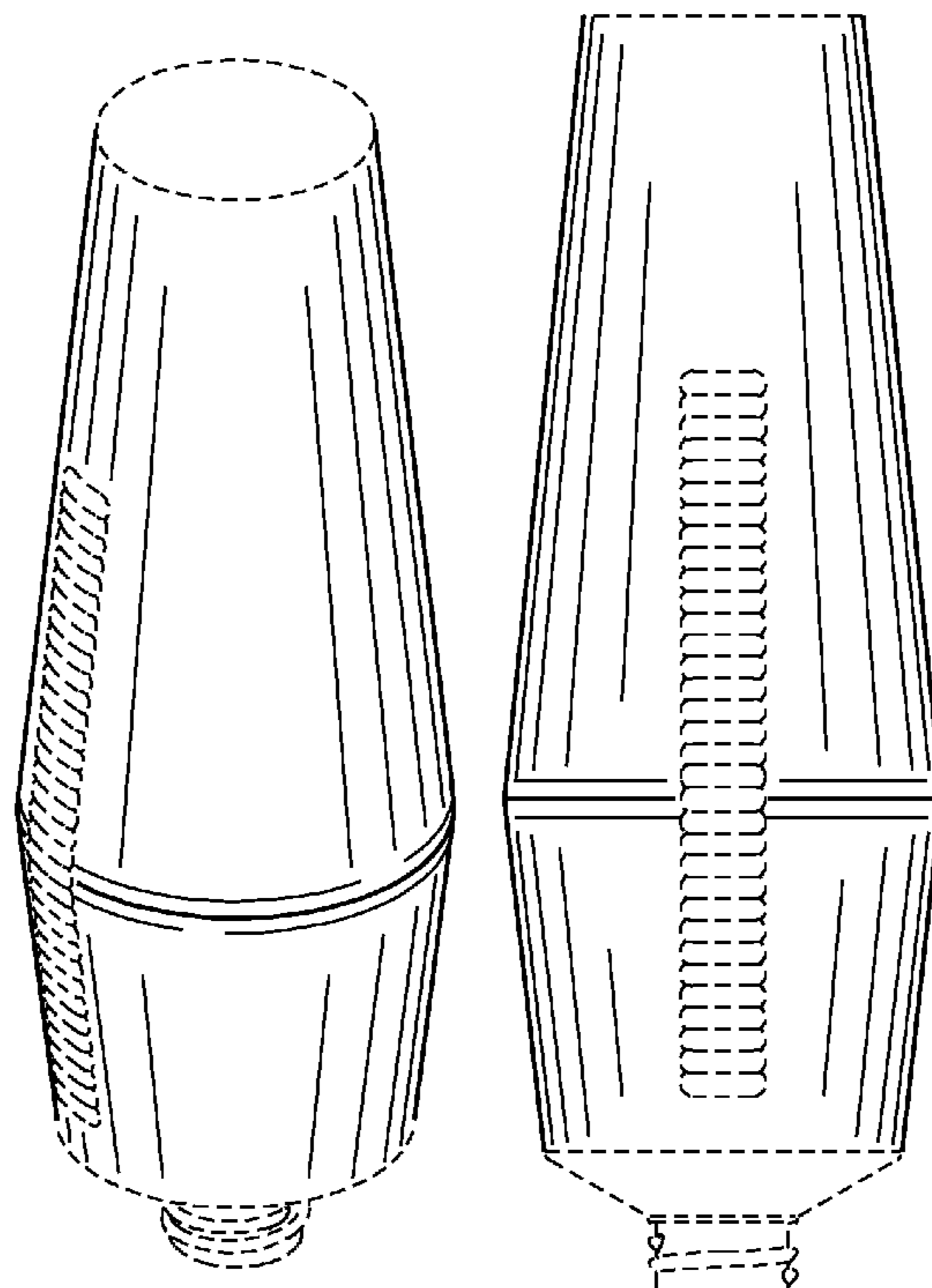
FIG. 3 is a front elevation view thereof, the rear elevation view being identical except for the unclaimed threaded pour spout;

FIG. 4 is a top plan view thereof; and,

FIG. 5 is a bottom plan view thereof.

The ornamental design which is claimed is shown in solid lines in the drawings. The broken lines in the drawings showing the top surface and the bottom shoulder and pour spout of the container illustrate the portions of the design that form no part of the claim.

1 Claim, 2 Drawing Sheets



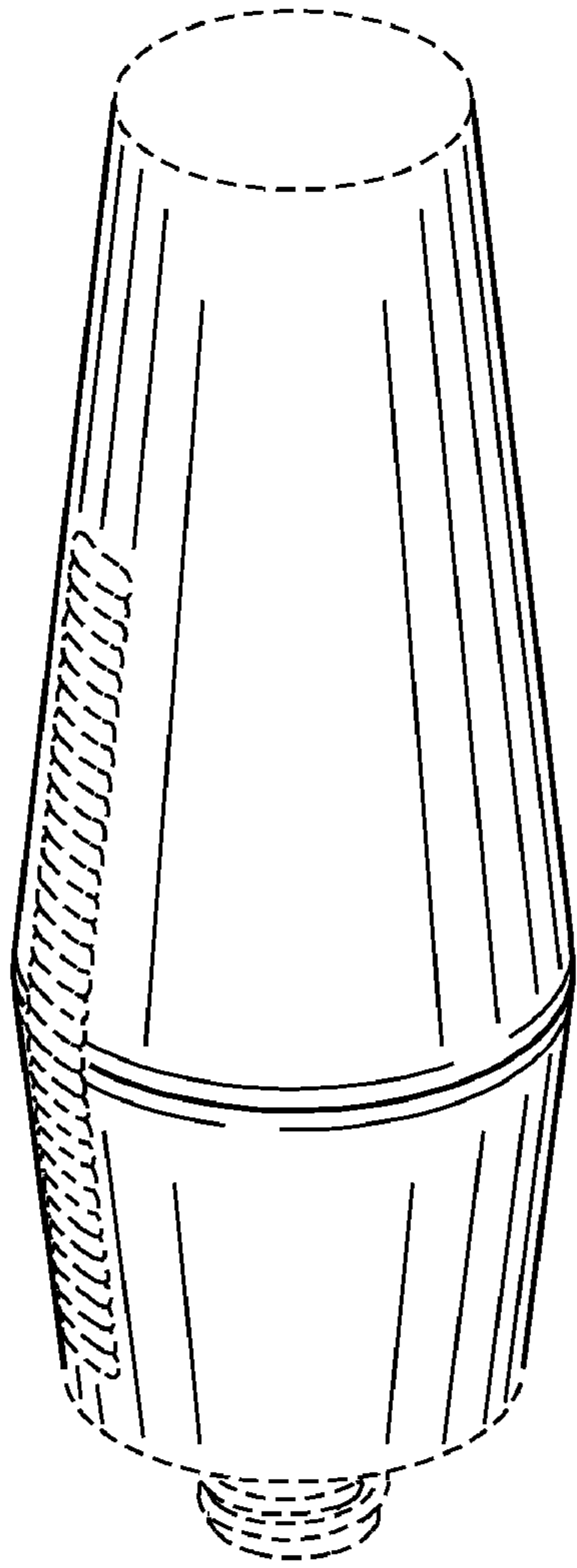


FIG. 1

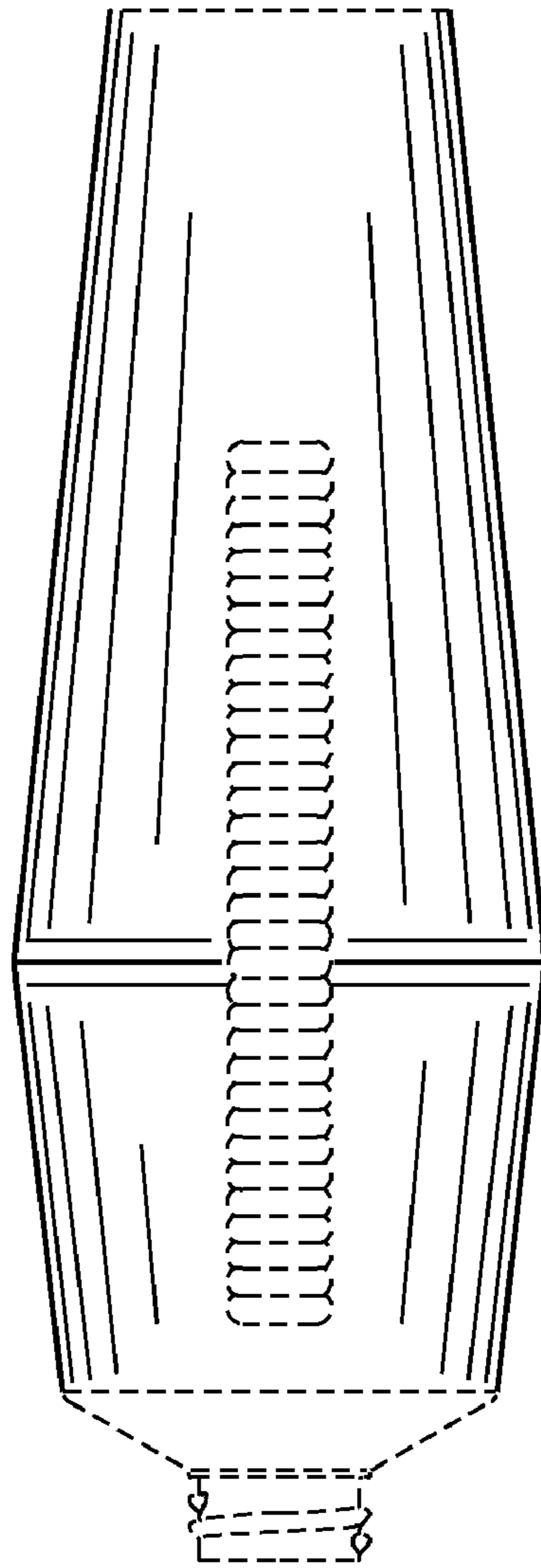


FIG. 2

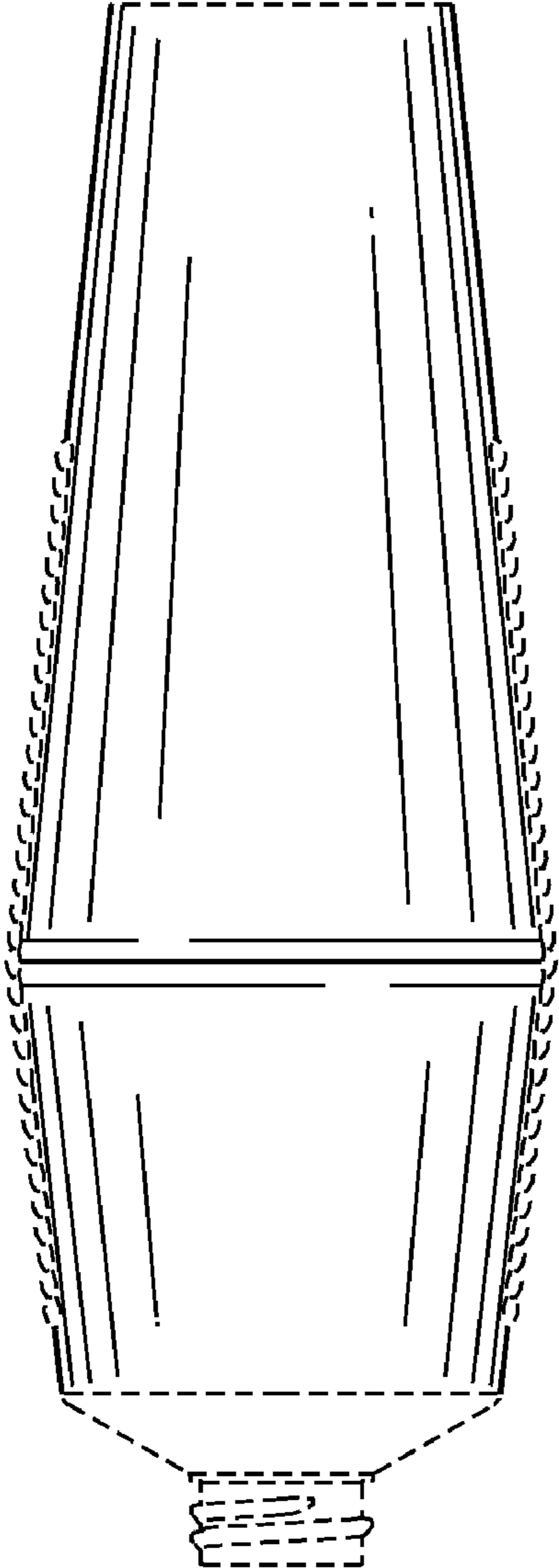


FIG. 3

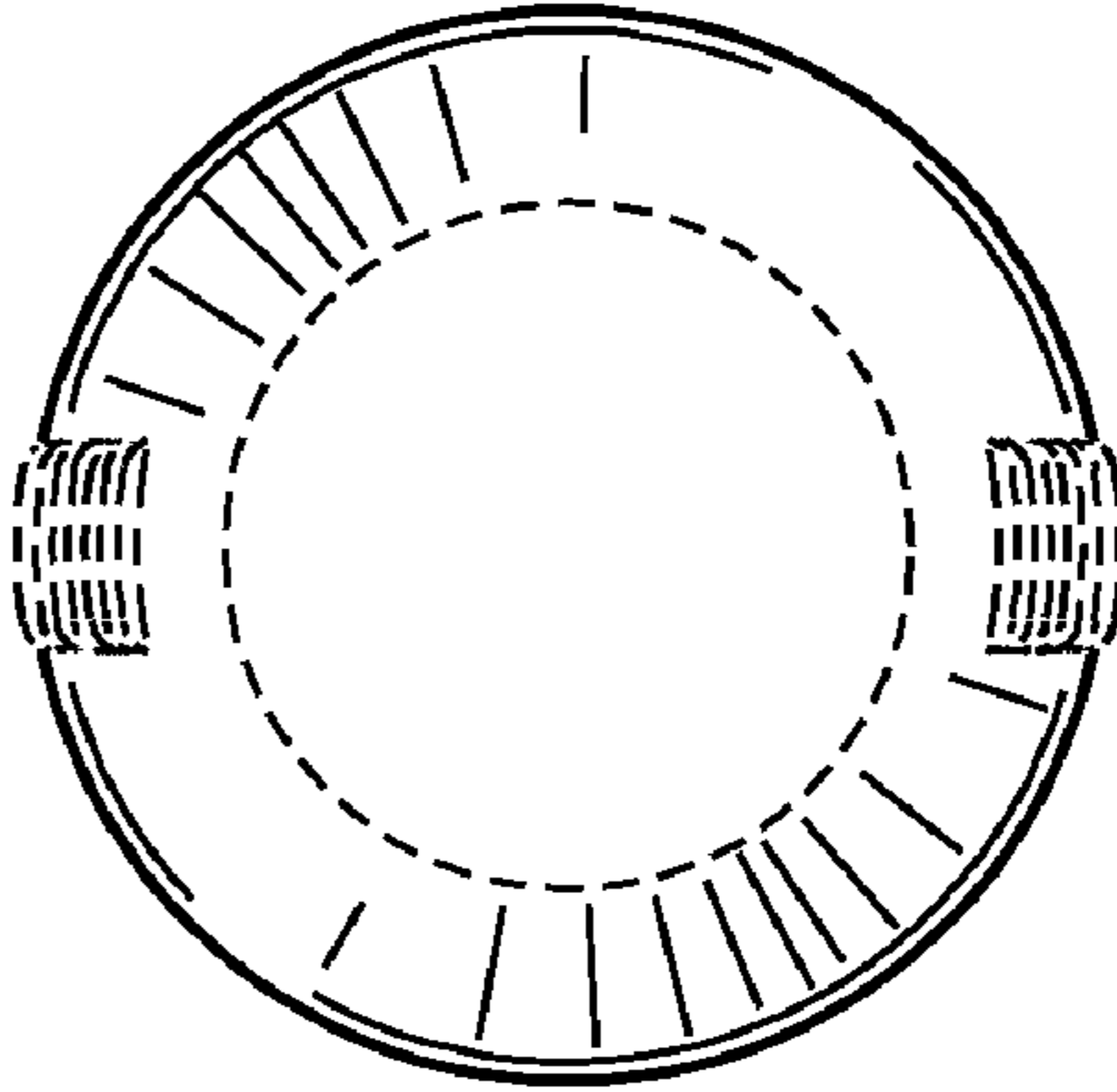


FIG. 4

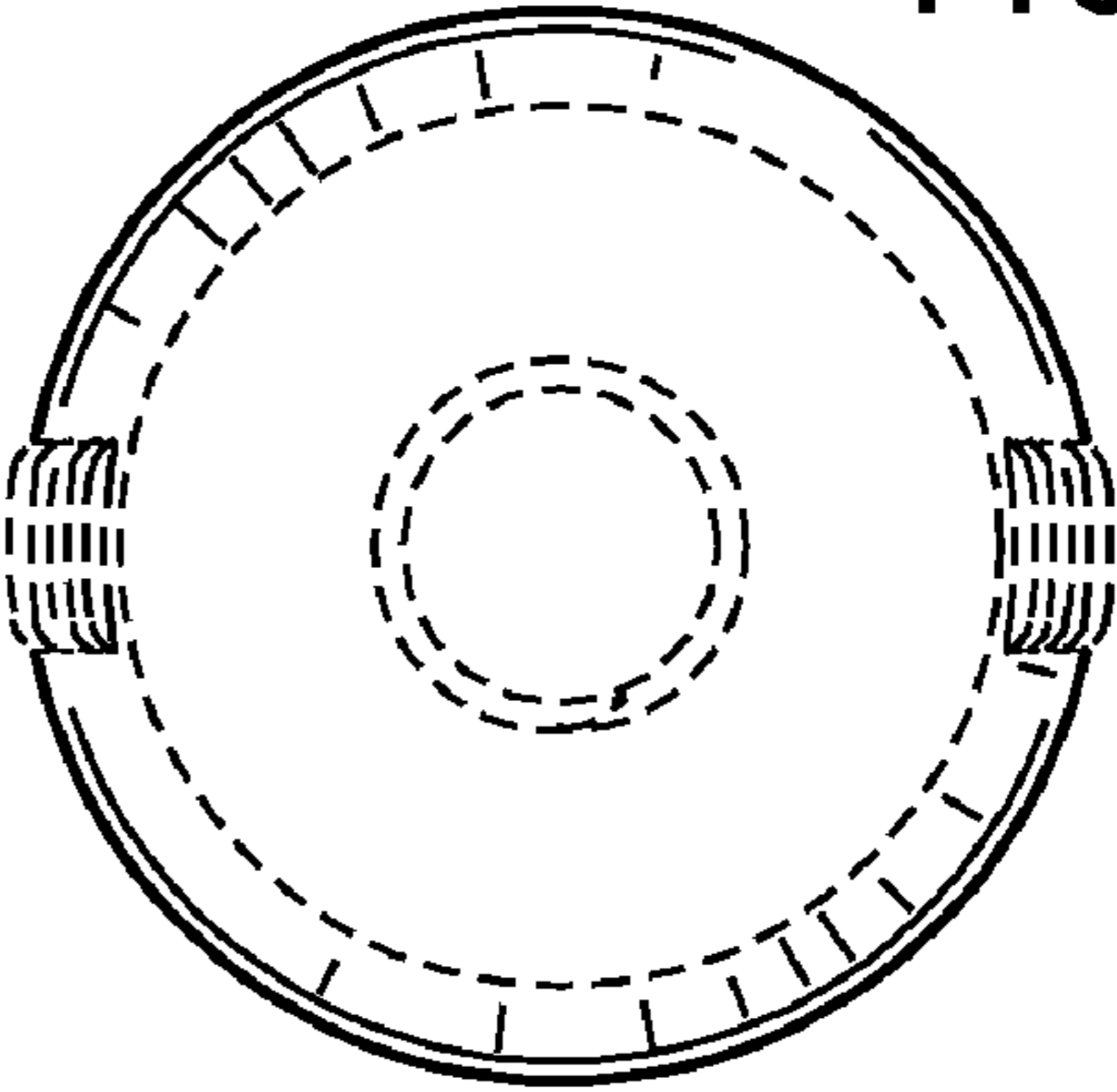


FIG. 5