



US00D646972S

(12) **United States Design Patent**
Wehrmann

(10) **Patent No.:** **US D646,972 S**

(45) **Date of Patent:** **** *Oct. 18, 2011**

(54) **INFLATABLE PACKING MATERIAL**

(75) Inventor: **Rick Steven Wehrmann**, Hudson, OH (US)

(73) Assignee: **Automated Packaging Systems, Inc.**, Streetsboro, OH (US)

(**) Term: **14 Years**

(21) Appl. No.: **29/383,234**

(22) Filed: **Jan. 14, 2011**

Related U.S. Application Data

(63) Continuation of application No. 29/346,902, filed on Nov. 9, 2009, now Pat. No. Des. 630,945, which is a continuation of application No. 29/332,921, filed on Feb. 27, 2009, now Pat. No. Des. 603,705.

(51) **LOC (9) Cl.** **09-07**

(52) **U.S. Cl.** **D9/456**

(58) **Field of Classification Search** D9/705,
D9/635, 520, 517, 516, 456, 455, 454, 452,
D9/444, 445, 438, 436, 435, 434, 433, 432,
D9/416, 499; D26/51; 428/138; 362/101;
229/404, 128, 110, 103.3; 220/630; 206/776,
206/755, 754, 583, 522, 453, 390, 232

See application file for complete search history.

(56) **References Cited**

U.S. PATENT DOCUMENTS

3,033,257	A	5/1962	Weber
3,254,820	A	6/1966	Lerner
3,254,828	A	6/1966	Lerner
3,298,156	A	1/1967	Lerner
3,358,823	A	12/1967	Paxton
3,359,703	A	12/1967	Quaadgras
3,389,534	A	6/1968	Pendleton
3,414,140	A	12/1968	Feldkamp
3,462,027	A	8/1969	Puckhaber
3,477,196	A	11/1969	Lerner
3,523,055	A	8/1970	Lemelson

(Continued)

FOREIGN PATENT DOCUMENTS

CA 2428246 9/2002

(Continued)

OTHER PUBLICATIONS

International Search Report and Written Opinion from PCT/US05/18817 dated Mar. 30, 2007.

(Continued)

Primary Examiner — Susan Bennett Hattan

(74) *Attorney, Agent, or Firm* — Calfee, Halter & Griswold LLP

(57) **CLAIM**

The ornamental design for an inflatable packing material, as shown and described.

DESCRIPTION

FIG. 1 is an isometric view of an inflatable packing material showing the new design;

FIG. 2 is a top plan view of the inflatable packing material of FIG. 1;

FIG. 3 is an isometric view of the inflatable packing material in a second condition of use where it is inflated and is sealed along a seal line;

FIG. 4 is a back view of inflatable packing material of FIG. 3;

FIG. 5 is a front view of inflatable packing material of FIG. 3;

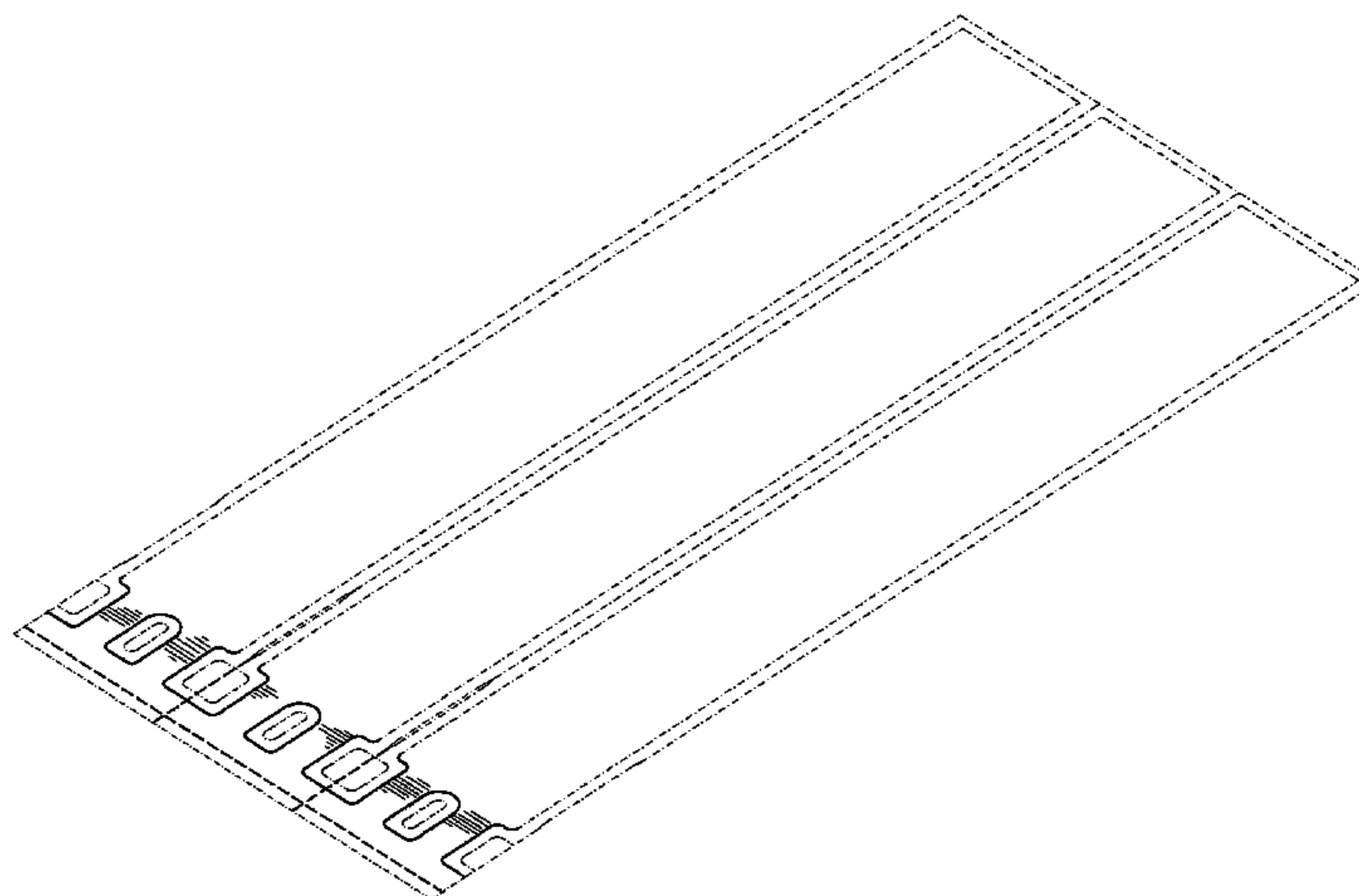
FIG. 6 is top plan view of the inflatable packing material of FIG. 3;

FIG. 7 is a right side view of the inflatable packing material of FIG. 3 the left being a mirror image of the right; and,

FIG. 8 is a bottom plan view of the inflatable packing material of FIG. 3.

The dashed lines in the figures depict environment only and form no part of the claimed design.

1 Claim, 5 Drawing Sheets



US D646,972 S

U.S. PATENT DOCUMENTS			FOREIGN PATENT DOCUMENTS		
3,575,757 A	4/1971	Smith	5,552,003 A	9/1996	Hoover et al.
3,575,781 A	4/1971	Pezely	5,651,237 A	7/1997	DeLuca
3,577,305 A	5/1971	Hines et al.	5,693,163 A	12/1997	Hoover et al.
3,616,155 A	10/1971	Chavannes	5,699,653 A	12/1997	Hartman et al.
3,618,286 A	11/1971	Membrino	5,733,045 A	3/1998	Jostler et al.
3,650,877 A	3/1972	Johnson	5,755,328 A	5/1998	DeLuca
3,660,189 A	5/1972	Troy	5,810,200 A	9/1998	Trokhon
3,667,593 A	6/1972	Pendleton	5,824,392 A	10/1998	Gotoh et al.
3,730,240 A	5/1973	Presnick	5,921,390 A	7/1999	Simhaee
3,744,211 A	7/1973	Titchenal et al.	RE36,501 E	1/2000	Hoover et al.
3,791,573 A	2/1974	Titchenal et al.	6,015,047 A	1/2000	Greenland
3,795,163 A	3/1974	Armstrong et al.	6,015,357 A	1/2000	Rizza
3,802,974 A	4/1974	Emmel	RE36,759 E	7/2000	Hoover et al.
3,808,981 A	5/1974	Shaw	6,116,000 A	9/2000	Perkins et al.
3,813,845 A	6/1974	Weikert	6,199,349 B1	3/2001	Lerner
3,817,803 A	6/1974	Horsley	6,209,286 B1	4/2001	Perkins et al.
3,837,990 A	9/1974	McConnell et al.	6,213,167 B1	4/2001	Greenland
3,837,991 A	9/1974	Evans et al.	6,282,716 B1	9/2001	Patterson et al.
3,855,037 A	12/1974	Imhagen et al.	6,367,975 B1	4/2002	Cronauer et al.
3,933,395 A	1/1976	Evans	6,410,119 B1	6/2002	DeLuca et al.
3,938,298 A	2/1976	Luhman et al.	6,447,864 B2	9/2002	Johnson et al.
3,939,995 A	2/1976	Baxter	6,460,313 B1	10/2002	Cooper
3,941,306 A	3/1976	Weikert	6,488,222 B1	12/2002	West et al.
4,014,154 A	3/1977	Lerner	6,499,278 B2	12/2002	Cronauer et al.
4,017,351 A	4/1977	Larson	6,519,916 B1	2/2003	Brown
4,021,283 A	5/1977	Weikert	6,527,147 B2	3/2003	Wehrmann
4,040,526 A	8/1977	Baxter et al.	6,550,229 B2	4/2003	Sperry et al.
4,044,693 A	8/1977	Ramsey, Jr.	6,565,946 B2	5/2003	Perkins et al.
4,076,872 A	2/1978	Lewicki et al.	6,582,800 B2	6/2003	Fuss et al.
4,096,306 A	6/1978	Larson	6,625,956 B1	9/2003	Soudan
4,102,364 A	7/1978	Leslie et al.	D480,646 S	10/2003	Borchard et al.
4,103,471 A	8/1978	Lowdermilk	D480,971 S	10/2003	DeLuca et al.
4,146,069 A	3/1979	Angarola et al.	6,635,145 B2	10/2003	Cooper
4,169,002 A	9/1979	Larson	6,659,150 B1	12/2003	Perkins et al.
4,201,029 A	5/1980	Lerner	6,672,037 B2	1/2004	Wehrmann
4,306,656 A	12/1981	Dahlem	D490,711 S	6/2004	DeLuca et al.
4,314,865 A	2/1982	Ottaviano	6,751,926 B1	6/2004	Cooper
4,354,004 A	10/1982	Hughes et al.	6,761,960 B2	7/2004	DeLuca et al.
4,493,684 A	1/1985	Bolton	6,786,022 B2	9/2004	Fuss et al.
4,518,654 A	5/1985	Eichbauer	6,889,739 B2	5/2005	Lerner et al.
4,545,180 A	10/1985	Chung et al.	6,948,296 B1	9/2005	Lerner et al.
4,564,407 A	1/1986	Tsurata	6,952,910 B1	10/2005	Lorsch
4,576,669 A	3/1986	Caputo	6,955,846 B2	10/2005	Lerner
4,597,244 A	7/1986	Pharo	D512,311 S	12/2005	DeLuca et al.
4,616,472 A	10/1986	Owensby et al.	D513,182 S	12/2005	DeLuca et al.
4,619,635 A	10/1986	Ottaviano	7,125,463 B2	10/2006	Lerner et al.
4,631,901 A	12/1986	Chung et al.	7,165,375 B2	1/2007	O'Dowd
4,676,376 A	6/1987	Keiswetter	7,223,462 B2	5/2007	Perkins et al.
4,787,755 A	11/1988	Branson	7,533,772 B2	5/2009	Yoshifusa et al.
4,793,123 A	12/1988	Pharo	7,550,191 B2	6/2009	Lerner
4,847,126 A	7/1989	Yamashiro et al.	D596,031 S *	7/2009	Wehrmann D9/456
4,874,093 A	10/1989	Pharo	7,571,584 B2	8/2009	Lerner
4,904,092 A	2/1990	Campbell et al.	D599,118 S *	9/2009	Perkins et al. D9/456
4,918,904 A	4/1990	Pharo	D603,705 S	11/2009	Wehrmann
4,922,687 A	5/1990	Chow et al.	7,718,028 B2	5/2010	Lerner et al.
4,931,033 A	6/1990	Leeds	7,757,459 B2	7/2010	Wehrmann
4,945,714 A	8/1990	Bodolay et al.	7,767,288 B2	8/2010	Lerner
5,041,317 A	8/1991	Greyvenstein	D630,945 S	1/2011	Wehrmann
5,070,675 A	12/1991	Chuan-Shiang	7,897,219 B2	3/2011	Wehrmann
5,094,657 A	3/1992	Dworak et al.	7,897,220 B2	3/2011	Wehrmann
5,117,608 A	6/1992	Nease et al.	2001/0000719 A1	5/2001	Lerner
5,141,494 A	8/1992	Danforth et al.	2001/0013215 A1	8/2001	Fuss et al.
5,181,614 A	1/1993	Watts	2001/0014980 A1	8/2001	Patterson et al.
5,188,691 A	2/1993	Caputo	2002/0108697 A1	8/2002	Perkins et al.
5,203,761 A	4/1993	Reichental et al.	2002/0155246 A1	10/2002	Johnson et al.
5,210,993 A	5/1993	van Boxel	2002/0174629 A1	11/2002	Cronauer et al.
5,216,868 A	6/1993	Cooper et al.	2004/0265523 A1	12/2004	Koyanagi et al.
5,257,492 A	11/1993	Watts	2005/0266189 A1	12/2005	Wehrmann
5,272,856 A	12/1993	Pharo	2006/0042191 A1	3/2006	Lerner
5,289,671 A	3/1994	Lerner	2006/0086064 A1	4/2006	Wehrmann
5,307,969 A	5/1994	Menendez	2006/0090421 A1	5/2006	Sperry
5,340,632 A	8/1994	Chappuis	2007/0054074 A1	3/2007	Wehrmann
5,351,828 A	10/1994	Becker et al.	2007/0054075 A1	3/2007	Wehrmann
5,383,837 A	1/1995	Watts	2009/0110864 A1	4/2009	Wehrmann
5,394,676 A	3/1995	Lerner			
5,454,642 A	10/1995	DeLuca			
5,468,525 A	11/1995	Watts	EP	1466720	10/2004
5,470,300 A	11/1995	Terranova	WO	9746453	12/1997
			WO	0071423	11/2000

US D646,972 S

Page 3

WO	0153153	7/2001
WO	0185434	11/2001
WO	0226589	4/2002
WO	2005118408	12/2005
WO	2007070240	6/2007
WO	2009058749	5/2009

OTHER PUBLICATIONS

International Search Report and Written Opinion from PCT/US06/45447, dated Feb. 22, 2007.

International Search Report and Written Opinion from PCT/US08/81410 dated Mar. 31, 2009.

International Search Report and Written Opinion from PCT/US09/38344 dated Dec. 22, 2009.

Notice of Allowance from U.S. Appl. No. 29/332,921 dated Aug. 11, 2009.

Notice of allowance from U.S. Appl. No. 29/346,902 dated Sep. 9, 2010.

One page drawing, Briggs Bag 1, illustrates a web of pre-formed bags sold by Applicant for use in Applicant's SP machines more than one year prior to the priority date of the present application. Operation of Applicant's SP machines is disclosed by U.S. Patent Nos. 4,969,310; 5,743,070; 5,944,424; 5,722,218; and 6,035,611.

One page drawing, Goody Bag 1, illustrates a web of pre-formed bags sold by Applicant for use in Applicant's SP machines more than one year prior to the priority date of the present application. Operation of Applicant's SP machines is disclosed by U.S. Patent Nos. 4,969,310; 5,743,070; 5,944,424; 5,722,218; and 6,035,611.

* cited by examiner

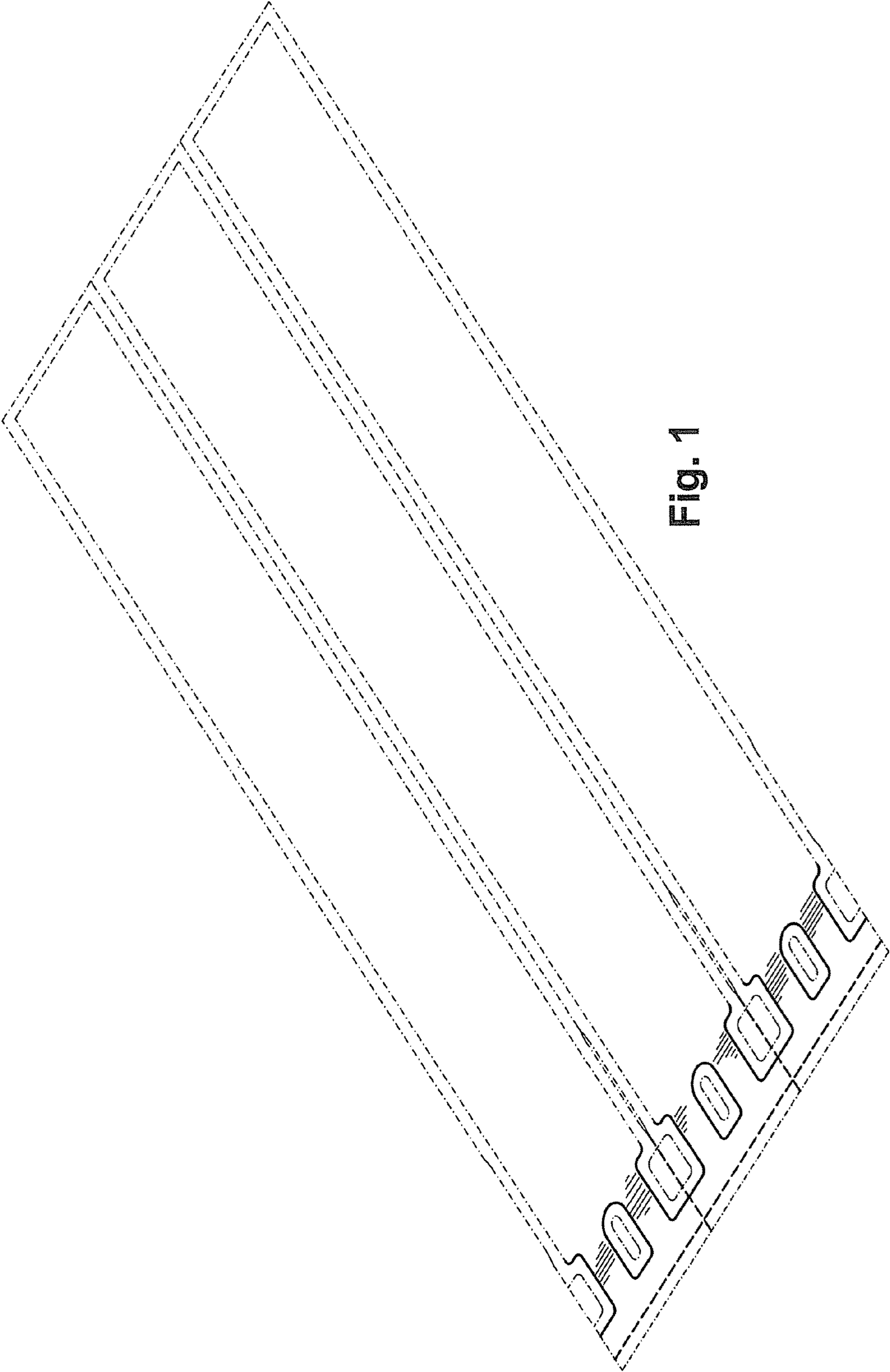


Fig. 1

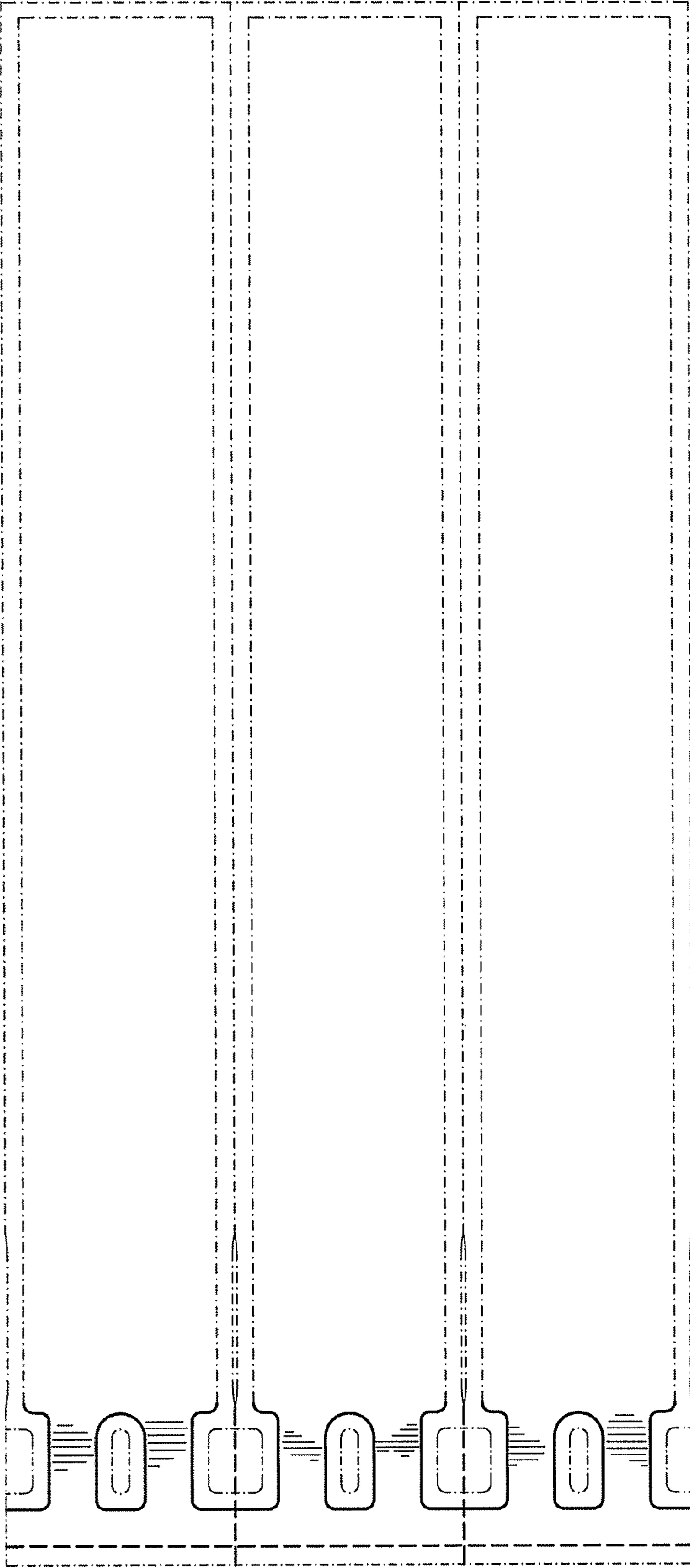


Fig. 2

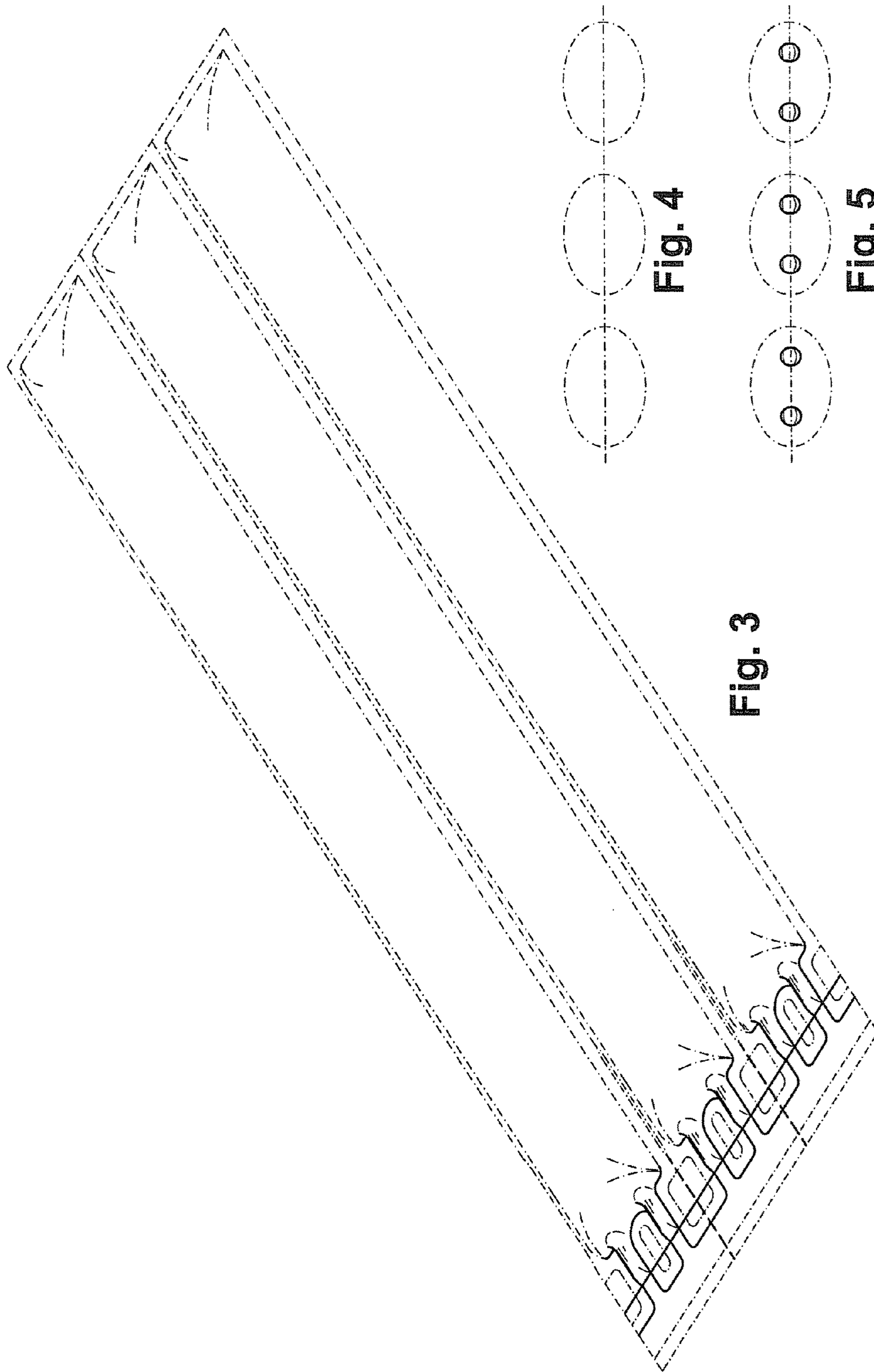


Fig. 4

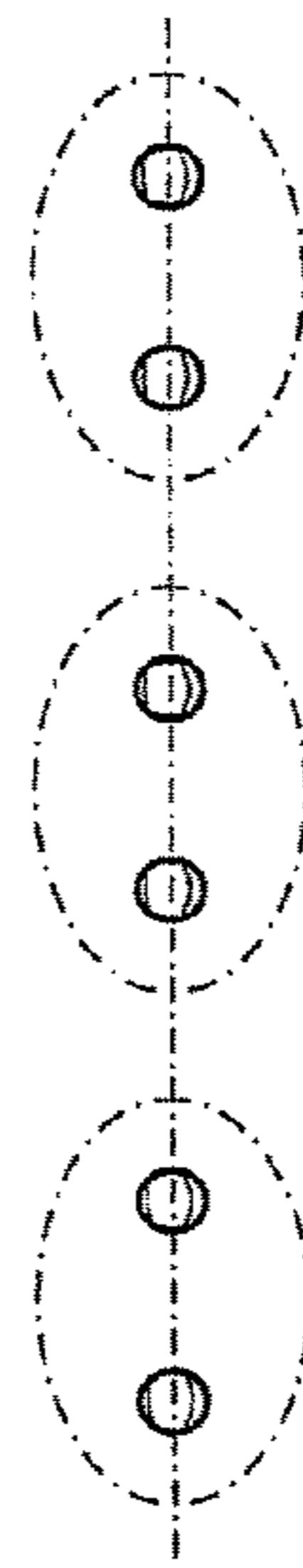


Fig. 5

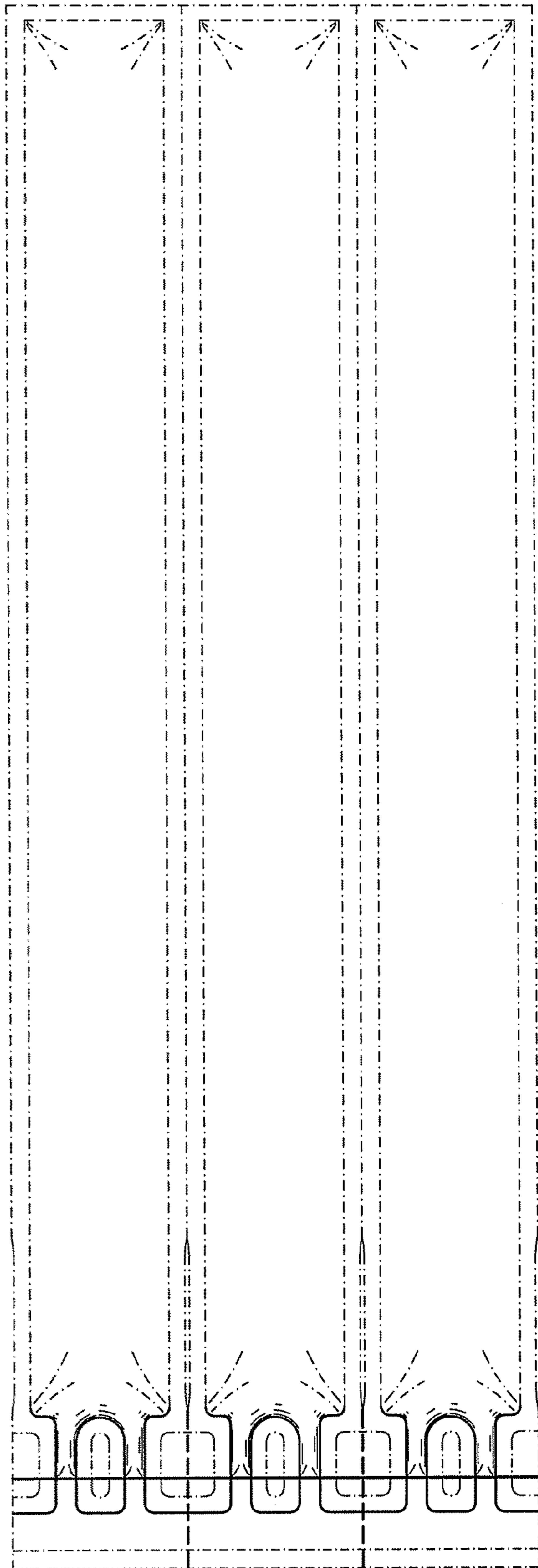


Fig. 6

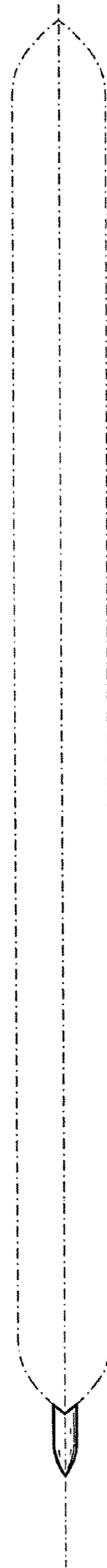


Fig. 7

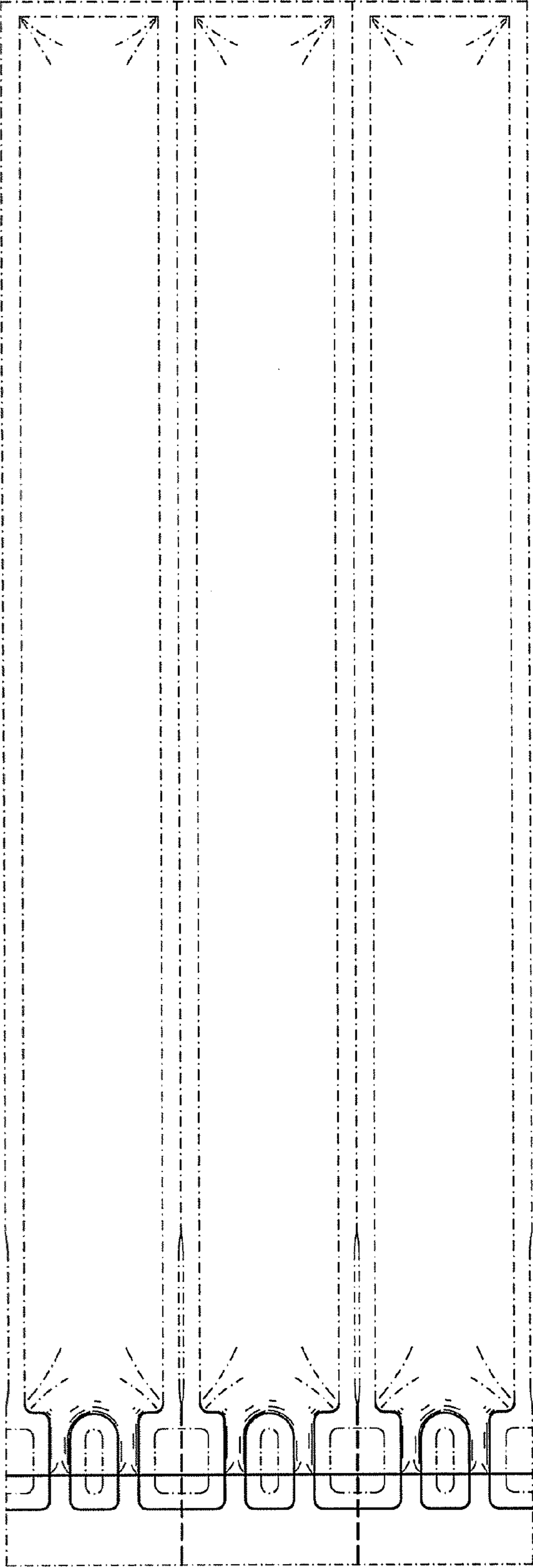


Fig. 8