

US00D646971S

(12) **United States Design Patent**
Chmela

(10) **Patent No.:** **US D646,971 S**
(45) **Date of Patent:** **** Oct. 18, 2011**

(54) **TAMPER EVIDENT CAP FOR SHIPPING AND STORAGE CONTAINERS**

(75) Inventor: **James F. Chmela**, Algonquin, IL (US)

(73) Assignee: **Snap Seals, Inc.**, Thousand Oaks, CA (US)

(**) Term: **14 Years**

(21) Appl. No.: **29/376,716**

(22) Filed: **Oct. 11, 2010**

Related U.S. Application Data

(63) Continuation of application No. 10/440,582, filed on May 19, 2003, now Pat. No. 7,931,167.

(51) **LOC (9) Cl.** **09-07**

(52) **U.S. Cl.** **D9/438**

(58) **Field of Classification Search** D9/686,
D9/529, 518, 504, 503, 454, 455, 444, 438;
220/601, 270, 268, 257.2, 257.1, 251.1; 217/98,
217/114

See application file for complete search history.

(56) **References Cited**

U.S. PATENT DOCUMENTS

1,549,080	A *	8/1925	Henson	215/304
2,156,540	A	5/1939	Melrath		
2,643,015	A	6/1953	Soffer		
3,380,609	A *	4/1968	Potts	215/254
3,465,906	A	9/1969	Wagner et al.		
3,701,454	A *	10/1972	Thorp	220/270
4,003,488	A *	1/1977	Moller	215/254
4,098,420	A	7/1978	Torii		
4,384,654	A	5/1983	Hospes		
4,453,644	A *	6/1984	Berglund	215/255
D281,584	S *	12/1985	Berglund	D9/438
4,573,605	A	3/1986	Udell		
4,593,830	A	6/1986	Bullock		
4,676,389	A	6/1987	Bullock		

4,678,094	A	7/1987	Bullock		
4,712,705	A	12/1987	Fuehrer		
4,721,210	A	1/1988	Lawrence et al.		
4,738,375	A	4/1988	Rosen et al.		
4,834,252	A	5/1989	Crisci		
4,934,546	A	6/1990	Merkley		
5,036,991	A	8/1991	Wallman		
5,085,333	A	2/1992	Dutt et al.		
5,145,084	A *	9/1992	Murayama et al.	220/260
D363,429	S *	10/1995	Lee	D9/454
5,687,865	A	11/1997	Adams et al.		

(Continued)

FOREIGN PATENT DOCUMENTS

EP	0652162	A2	5/1995
GB	2121773		1/1984

Primary Examiner — Susan Bennett Hattan

(74) *Attorney, Agent, or Firm* — SoCal IP Law Group LLP; Steven C. Sereboff; Jonathan Pearce

(57) **CLAIM**

The ornamental design of a tamper evident cap for shipping and storage containers, as shown and described.

DESCRIPTION

A portion of the disclosure of this patent document contains material which is subject to copyright protection. This patent document may show and/or describe matter which is or may become trade dress of the owner. The copyright and trade dress owner has no objection to the facsimile reproduction by anyone of the patent disclosure as it appears in the Patent and Trademark Office patent files or records, but otherwise reserves all copyright and trade dress rights whatsoever.

FIG. 1 is a top perspective view.

FIG. 2 is a bottom perspective view.

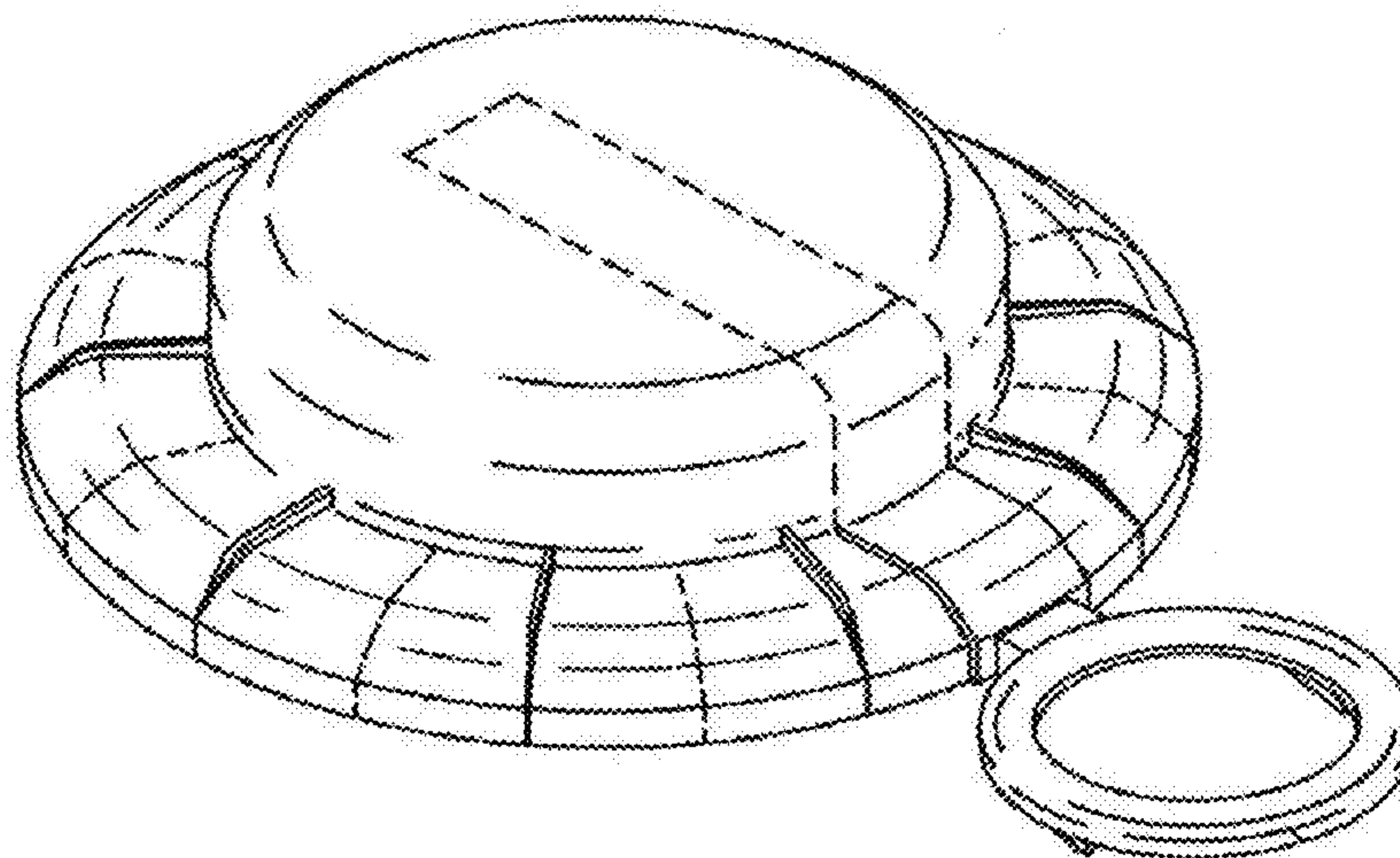
FIG. 3 is a top view.

FIG. 4 is a side view.

FIG. 5 is a side cross-sectional view; and,

FIG. 6 is another side cross-sectional view.

1 Claim, 2 Drawing Sheets



US D646,971 S

Page 2

U.S. PATENT DOCUMENTS

5,810,190	A	9/1998	Welch				
D436,862	S *	1/2001	Witt et al.	D9/438	6,681,947	B2	1/2004 Kim et al.
D469,353	S *	1/2003	Sturk	D9/443	D608,204	S *	1/2010 Caroen et al. D9/503
D475,925	S *	6/2003	Sturk	D9/454	D612,236	S *	3/2010 Sturk
					2004/0144786	A1 *	7/2004 Chmela et al. 220/257.1

* cited by examiner

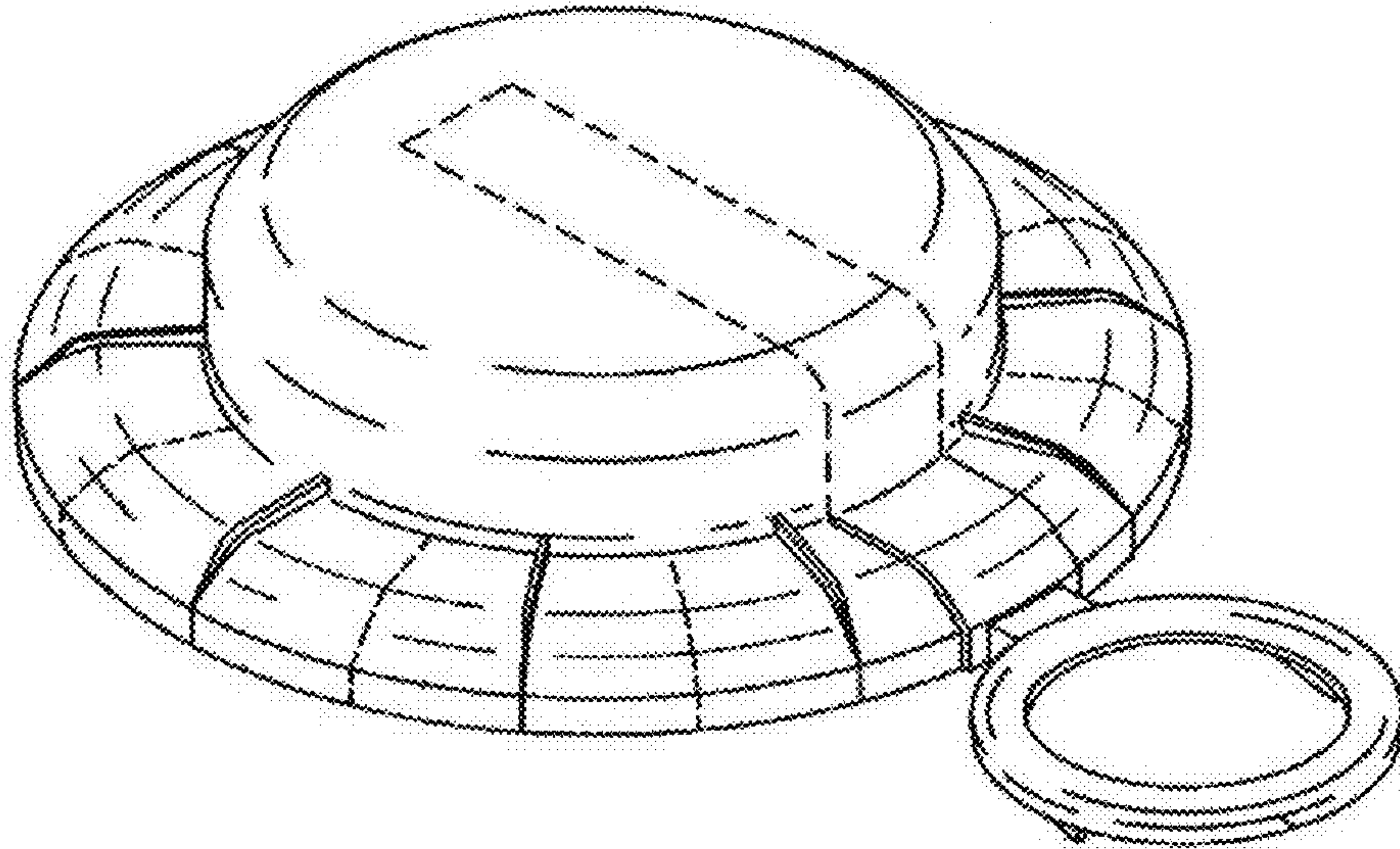


Fig. 1

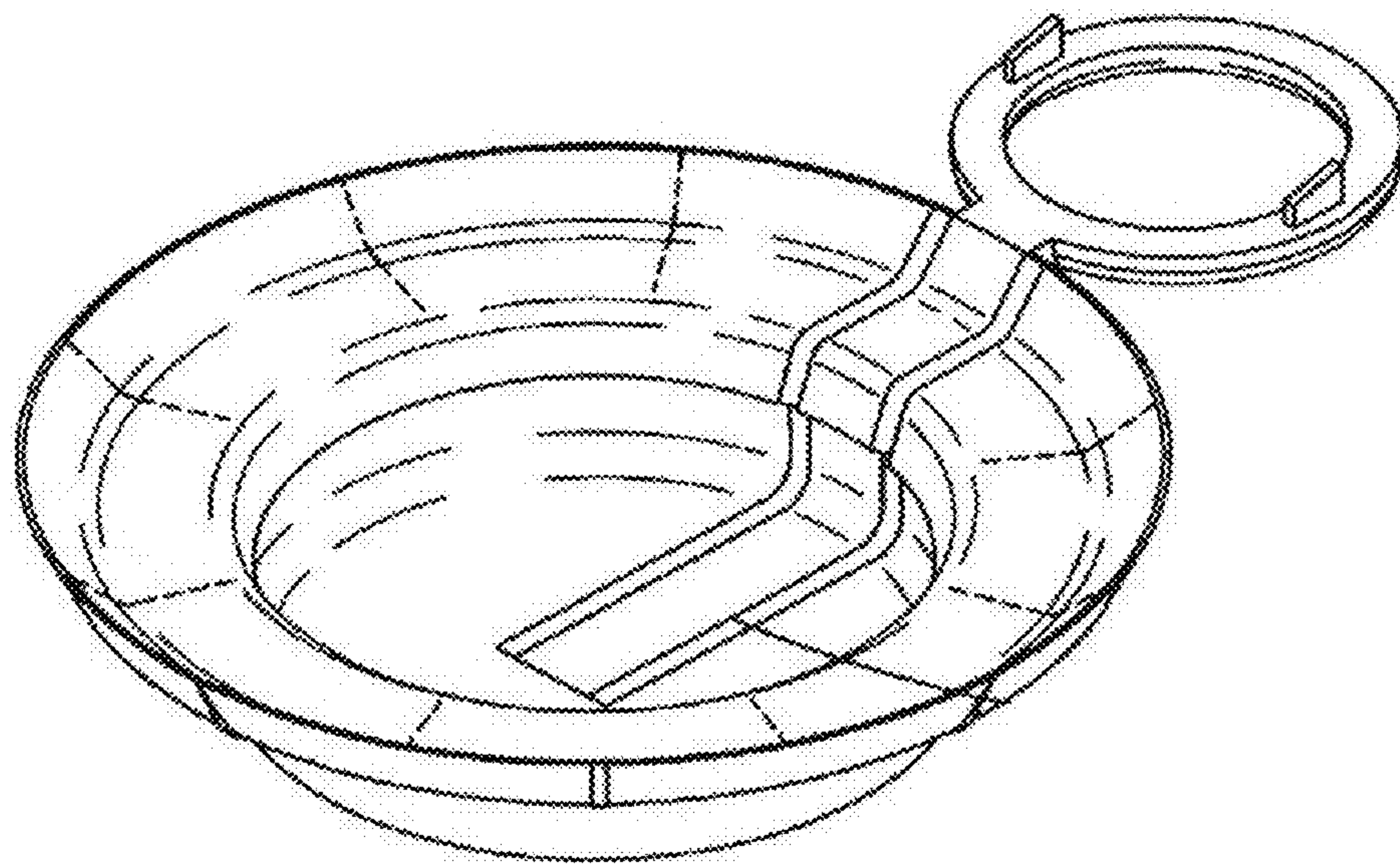


Fig. 2

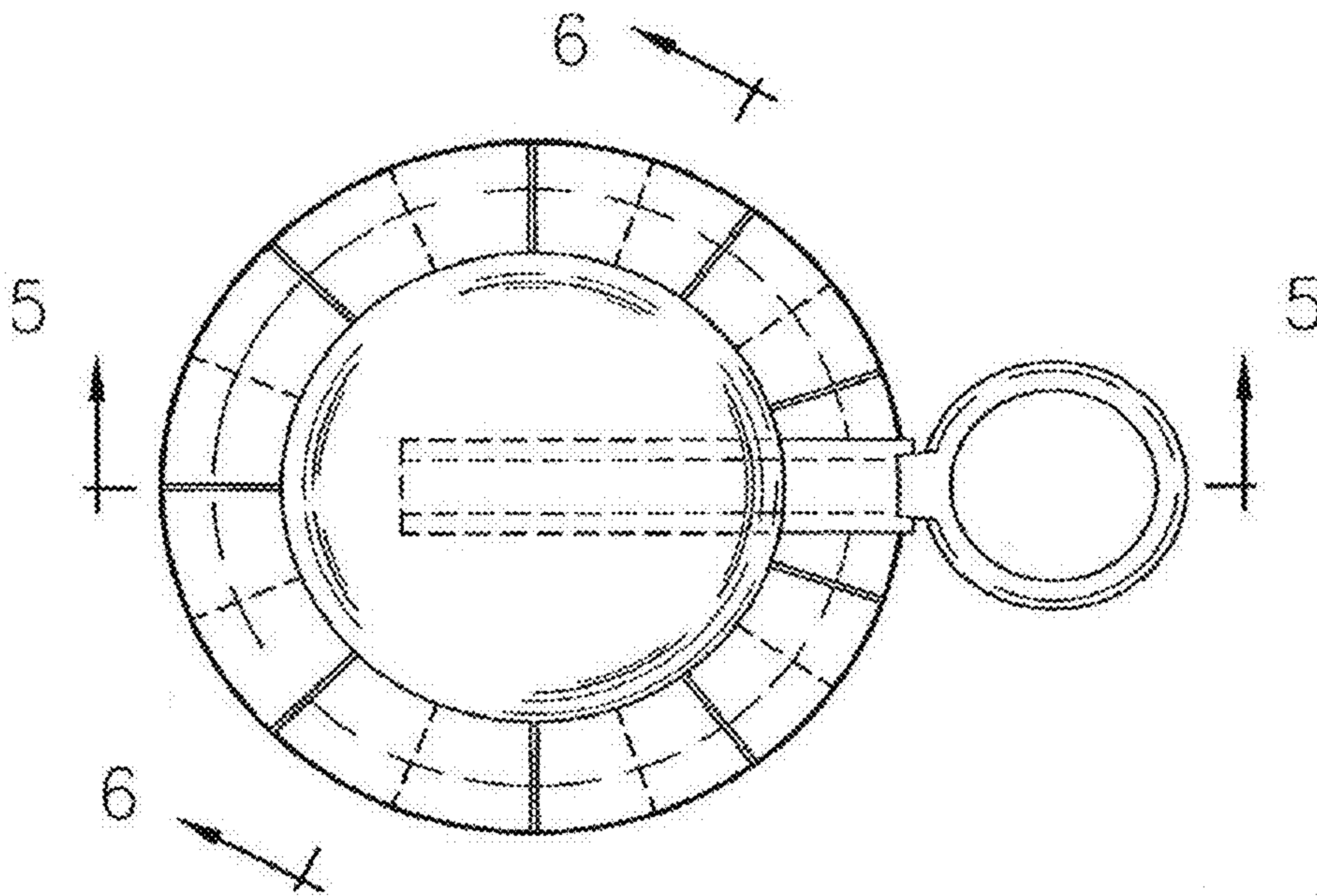


Fig. 3

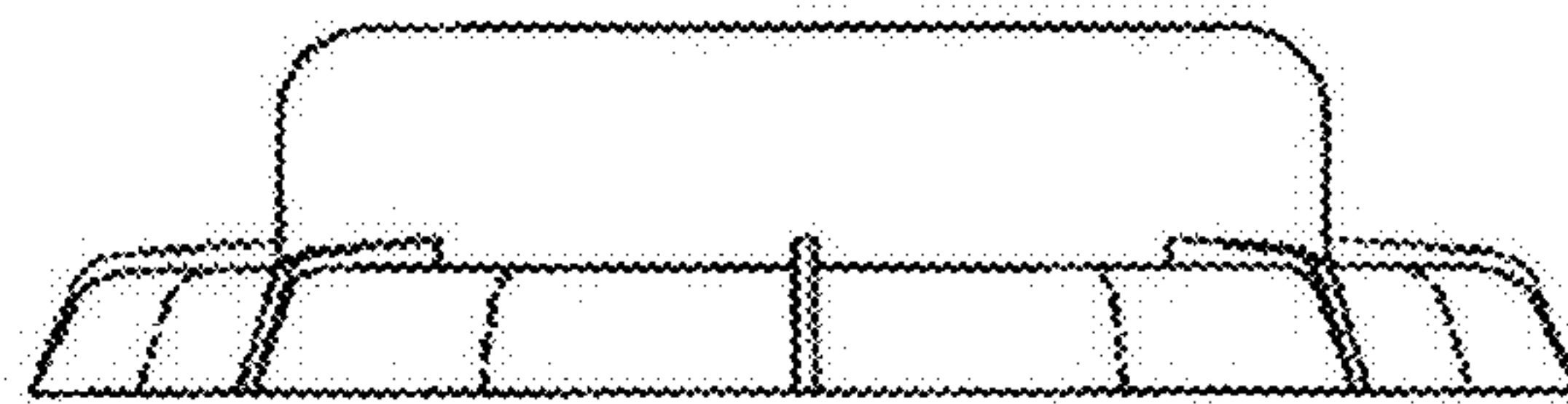


Fig. 4

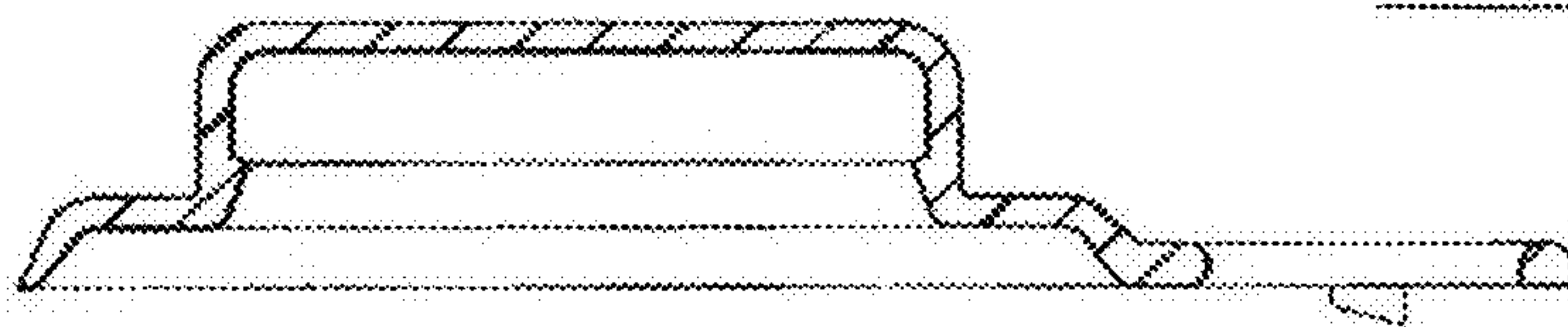


Fig. 5

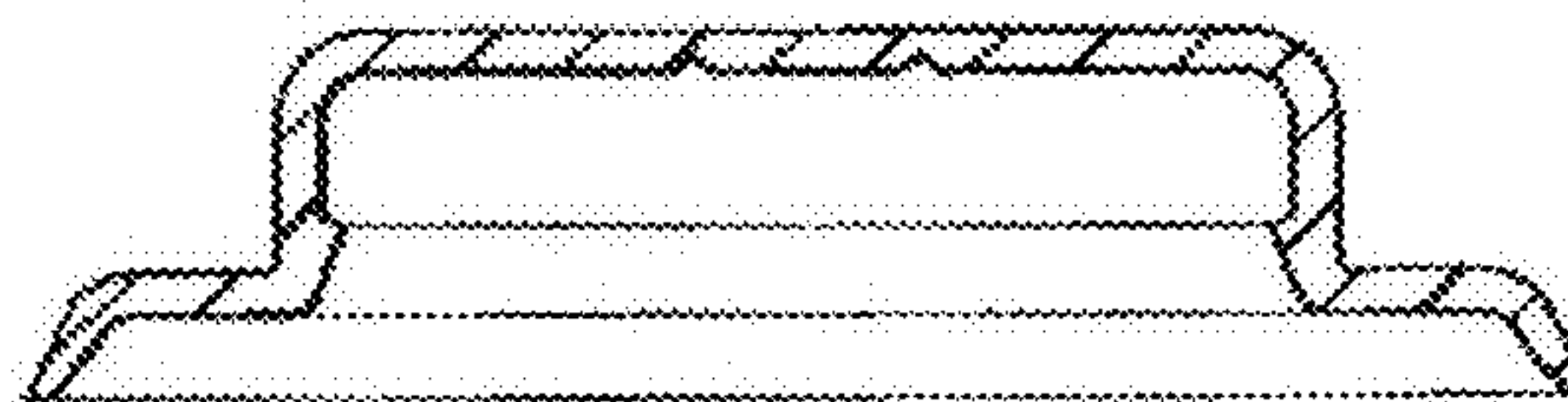


Fig. 6