



US00D646970S

(12) **United States Design Patent**
Sovonick et al.

(10) **Patent No.:** **US D646,970 S**
(45) **Date of Patent:** **** Oct. 18, 2011**

(54) **SURFACE ORNAMENTATION FOR A CONTAINER**

DESCRIPTION

(75) Inventors: **Doug Sovonick**, Milford, OH (US); **Rob Anthony**, Cincinnati, OH (US)

(73) Assignee: **The Procter & Gamble Company**, Cincinnati, OH (US)

(**) Term: **14 Years**

(21) Appl. No.: **29/389,871**

(22) Filed: **Apr. 18, 2011**

Related U.S. Application Data

(62) Division of application No. 29/327,489, filed on Nov. 6, 2008, now Pat. No. Des. 638,703.

(51) **LOC (9) Cl.** **09-07**

(52) **U.S. Cl.** **D9/434**

(58) **Field of Classification Search** D9/600,
D9/645-646, 652, 667, 500-503, 516-517,
D9/549-552, 434; 206/457-458.527; 220/890
See application file for complete search history.

(56) **References Cited**

U.S. PATENT DOCUMENTS

D581,263 S *	11/2008	Suyama et al.	D9/415
D589,359 S *	3/2009	Kusumi	D9/600
D599,201 S *	9/2009	Seol et al.	D9/432
D603,701 S *	11/2009	Seol et al.	D9/432

* cited by examiner

Primary Examiner — Sandra Morris

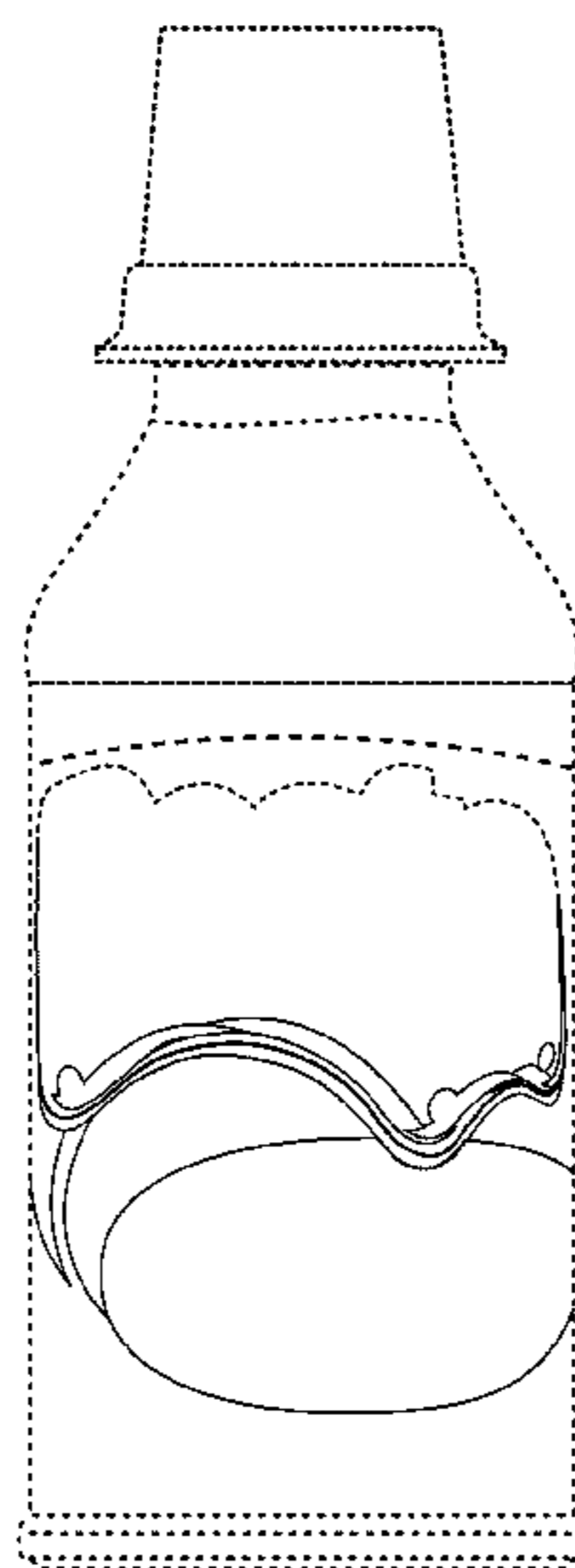
(74) *Attorney, Agent, or Firm* — Amanda T. Barry; Cynthia L. Clay

(57) **CLAIM**

The ornamental design for surface ornamentation for a container, as shown and described.

FIG. 1 is a perspective view of a first embodiment of surface ornamentation for a container embodying our new design; FIG. 2 is a front view thereof; FIG. 3 is a left view thereof; FIG. 4 is a right side view thereof; FIG. 5 is a rear view thereof; FIG. 6 is a top view thereof; FIG. 7 is a bottom view thereof; FIG. 8 is a perspective view of a second embodiment of surface ornamentation for a container embodying our new design; FIG. 9 is a front view thereof; FIG. 10 is a left side view thereof; FIG. 11 is a right side view thereof; FIG. 12 is a perspective view of a third embodiment of surface ornamentation for a container embodying our new design; FIG. 13 is a front view thereof; FIG. 14 is a left side view thereof; FIG. 15 is a right side view thereof; FIG. 16 is a front view of a fourth embodiment of surface ornamentation for a container embodying our new design; FIG. 17 is a front view of a fifth embodiment of surface ornamentation for a container embodying our new design; FIG. 18 is a front view of a sixth embodiment of surface ornamentation for a container embodying our new design; FIG. 19 is a front view of a seventh embodiment of surface ornamentation for a container embodying our new design; FIG. 20 is a front view of an eighth embodiment of surface ornamentation for a container embodying our new design; and, FIG. 21 is a front view of a ninth embodiment of surface ornamentation for a container embodying our new design. The stippling represents no particular color or colors. The rear, top and bottom views of the embodiments of FIGS. 8 and 12 are the same as FIGS. 5, 6, and 7 respectively. The broken lines are included herein for illustrative purposes only and form no part of the claimed design.

1 Claim, 9 Drawing Sheets



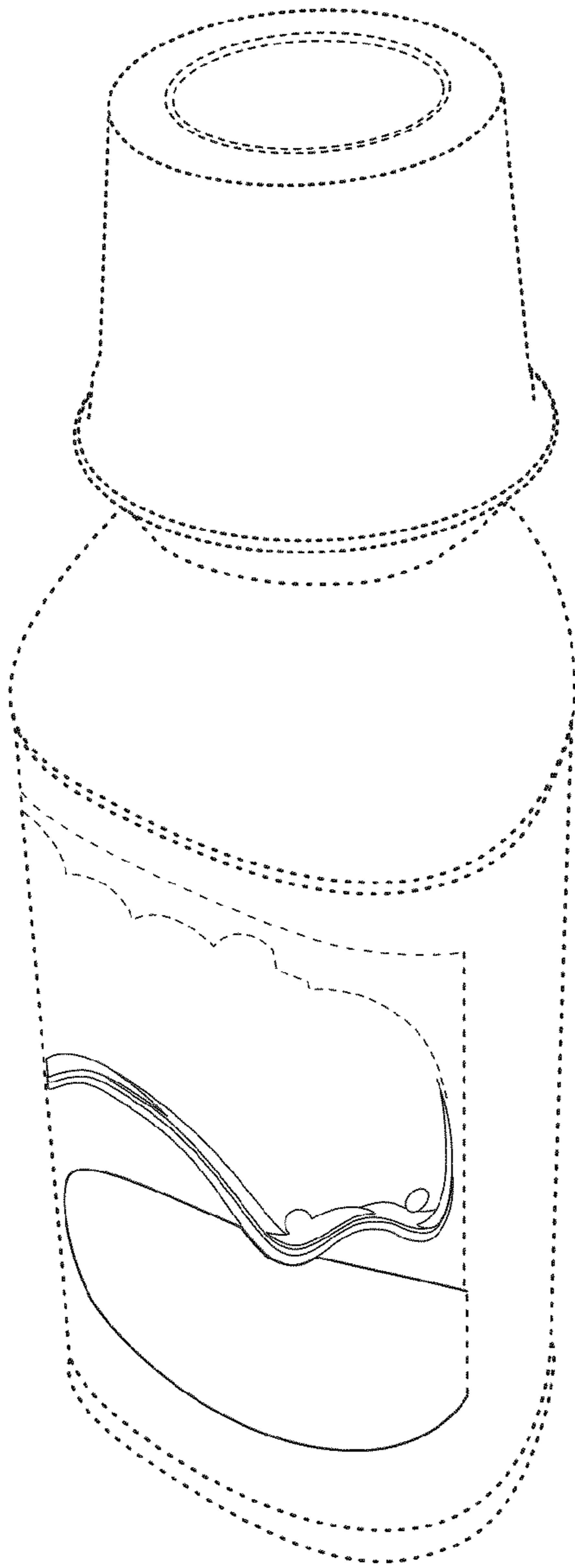


Fig. 1

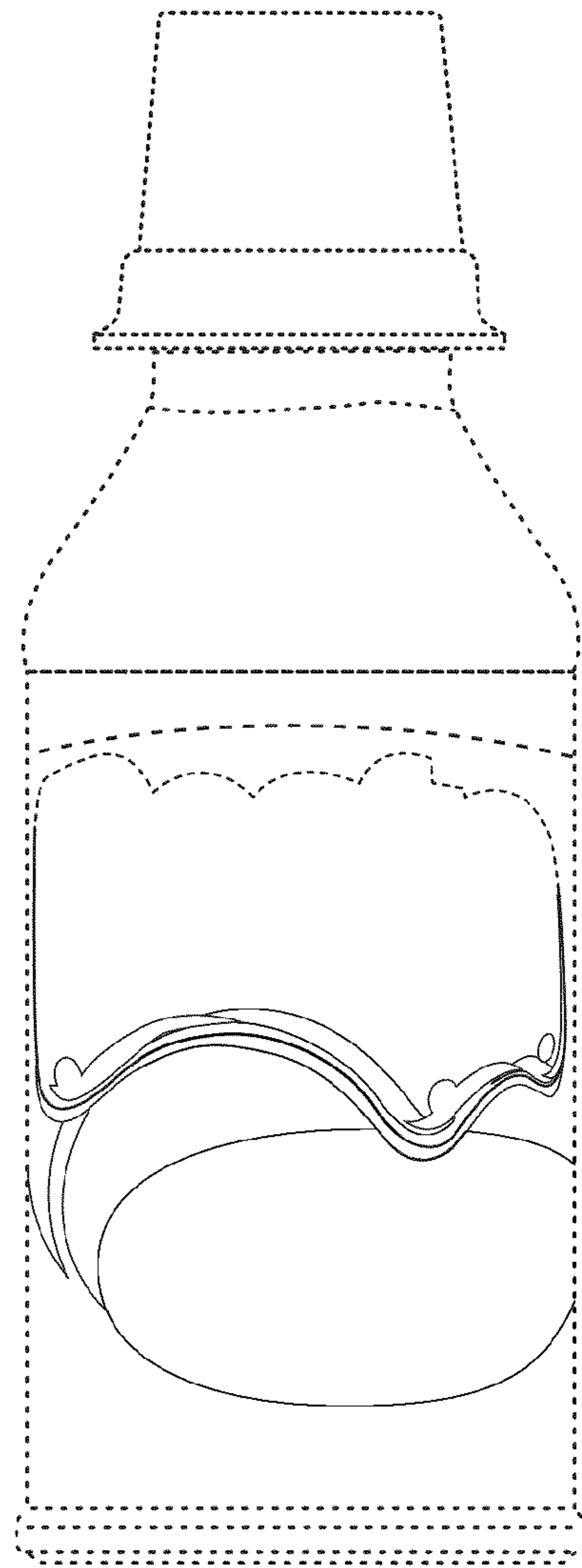


Fig. 2

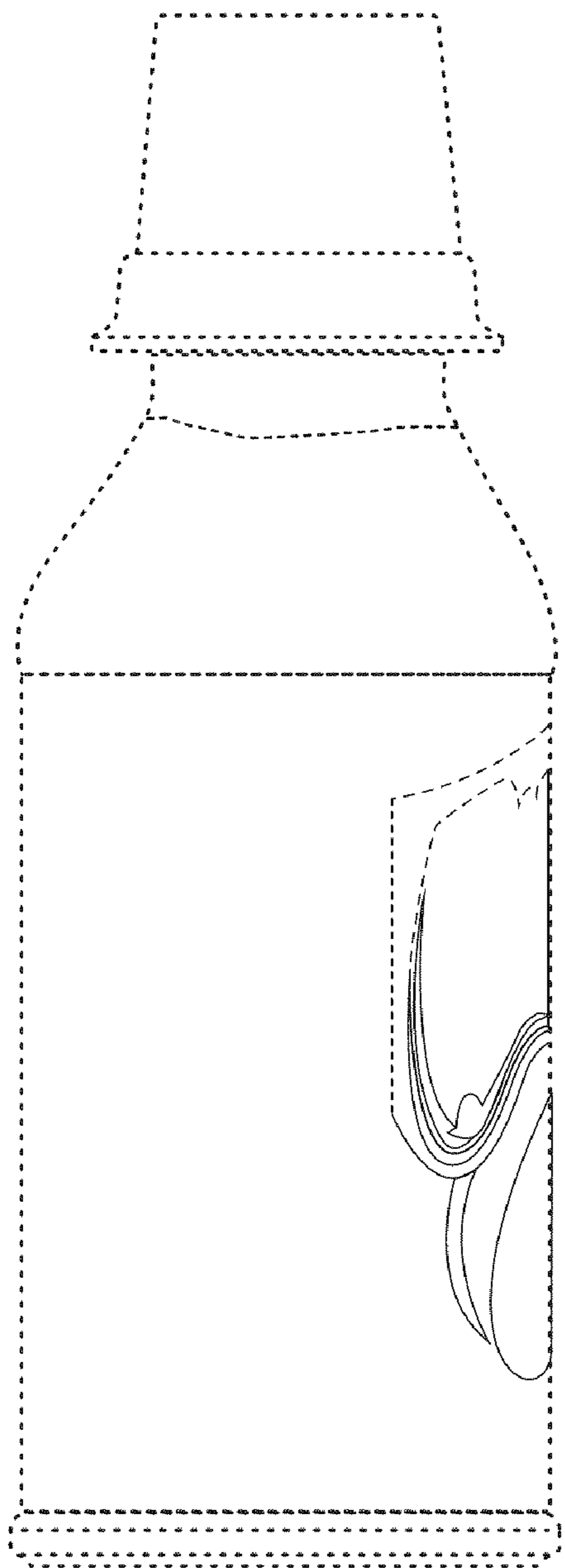


Fig. 3

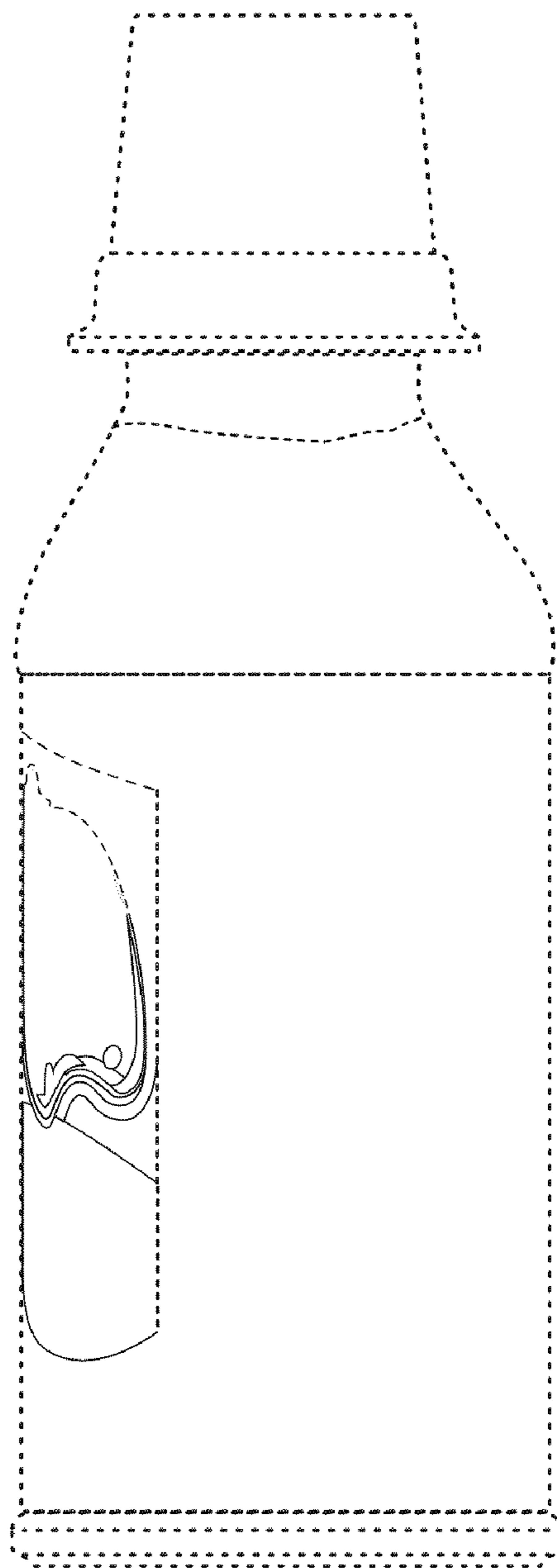


Fig. 4

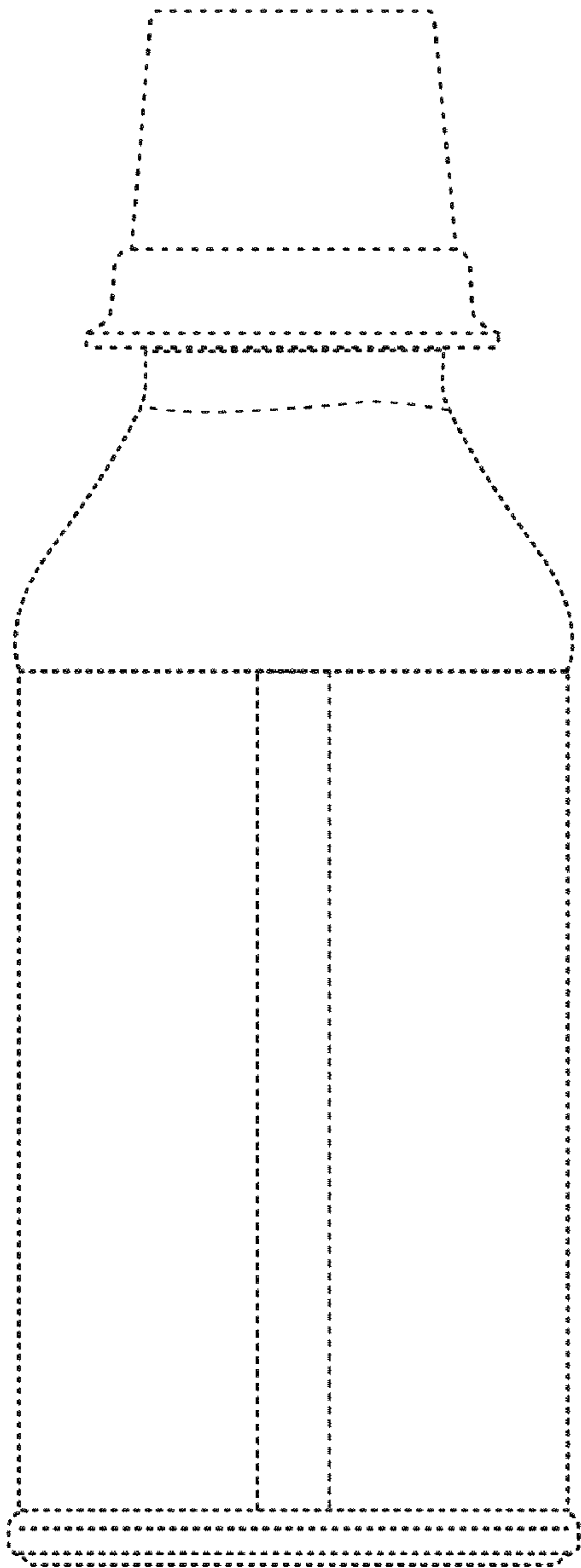


Fig. 5

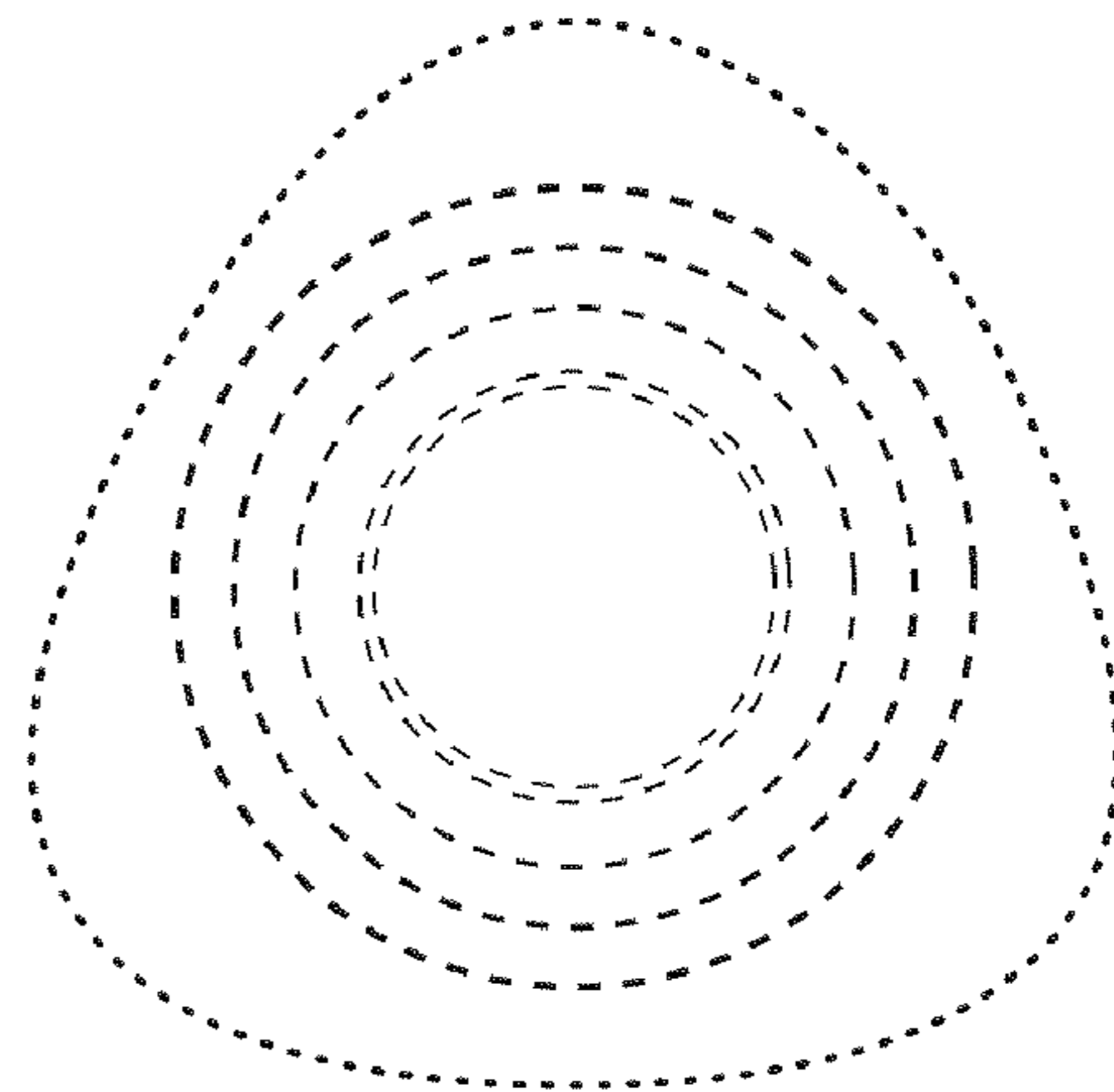


Fig. 6

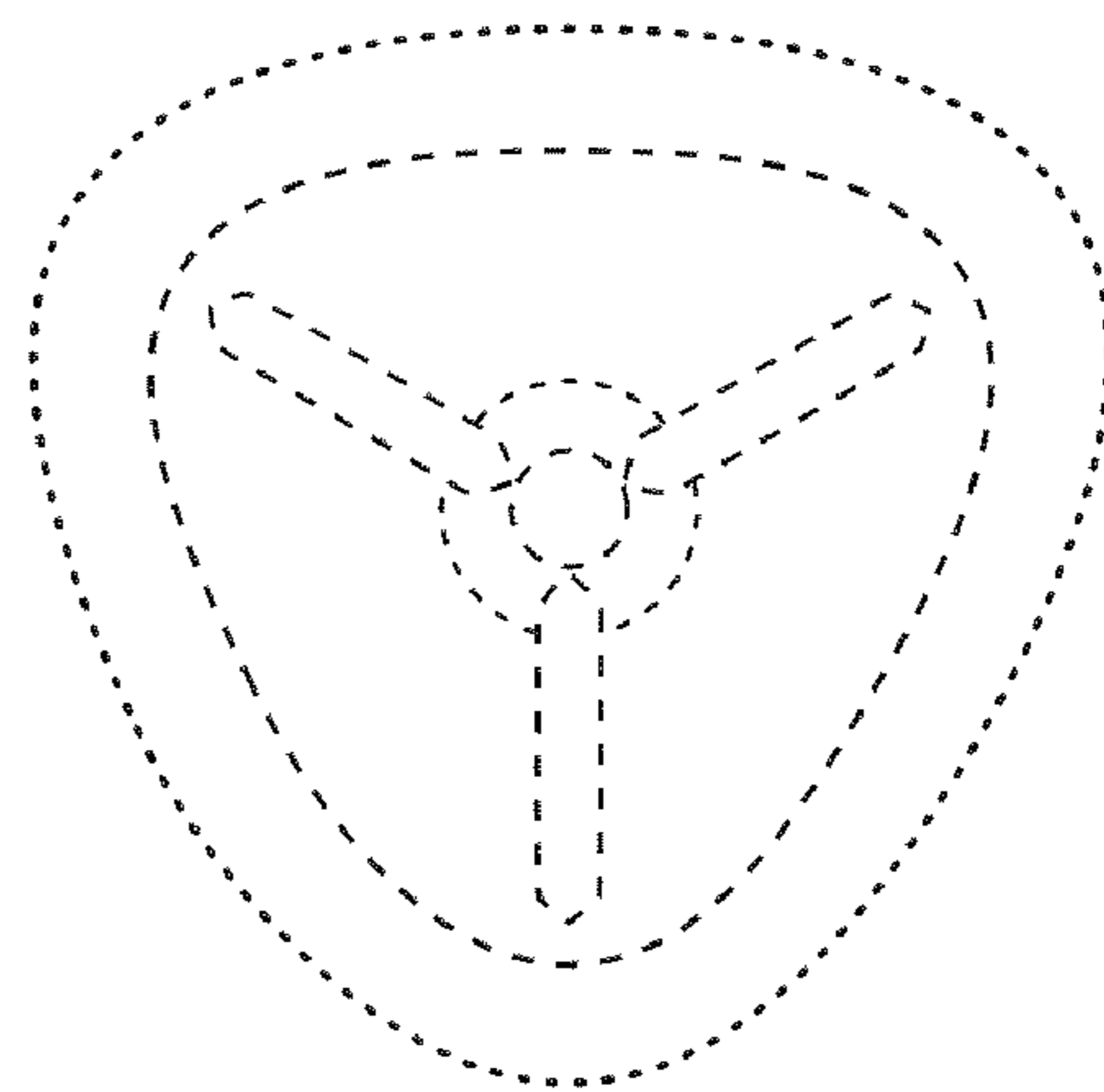


Fig. 7

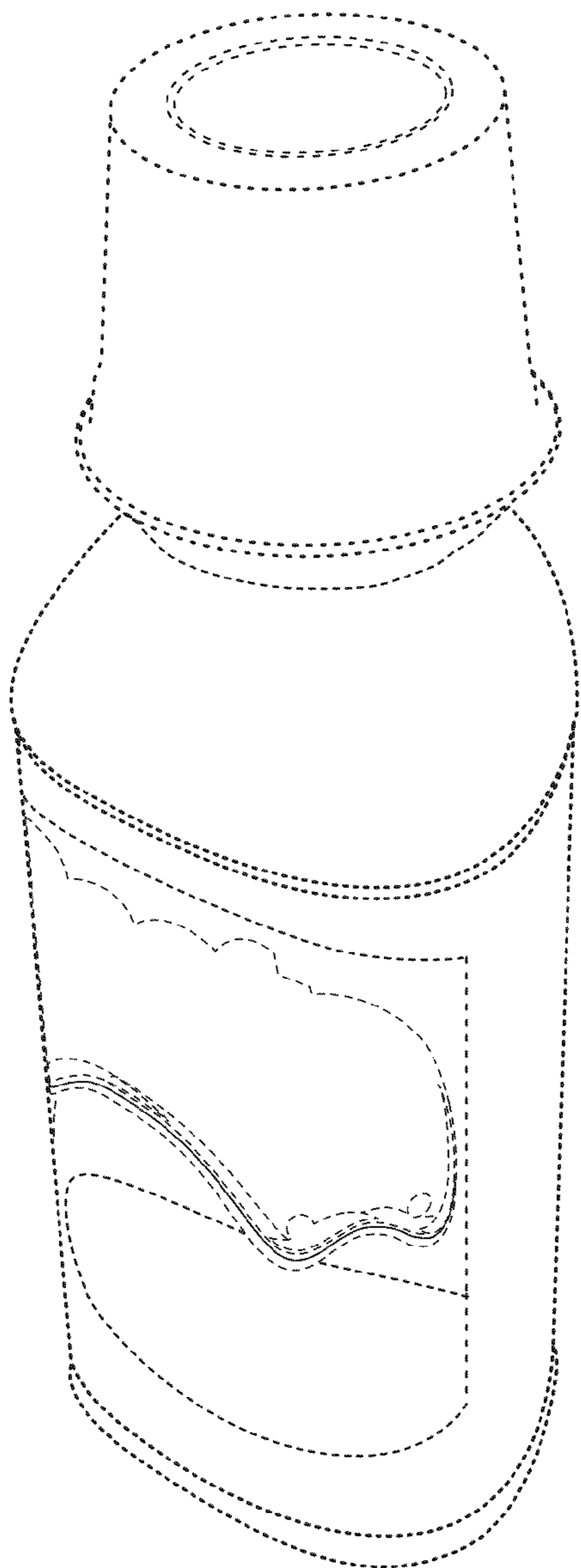


Fig. 8

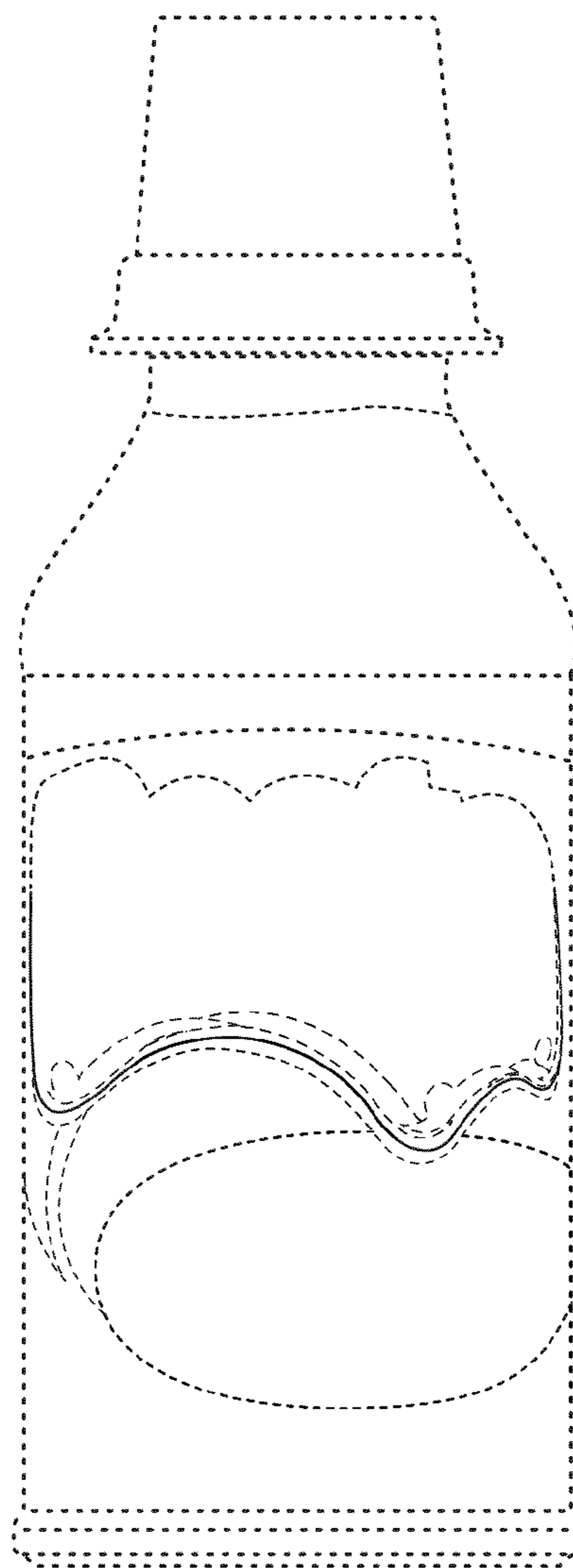


Fig. 9

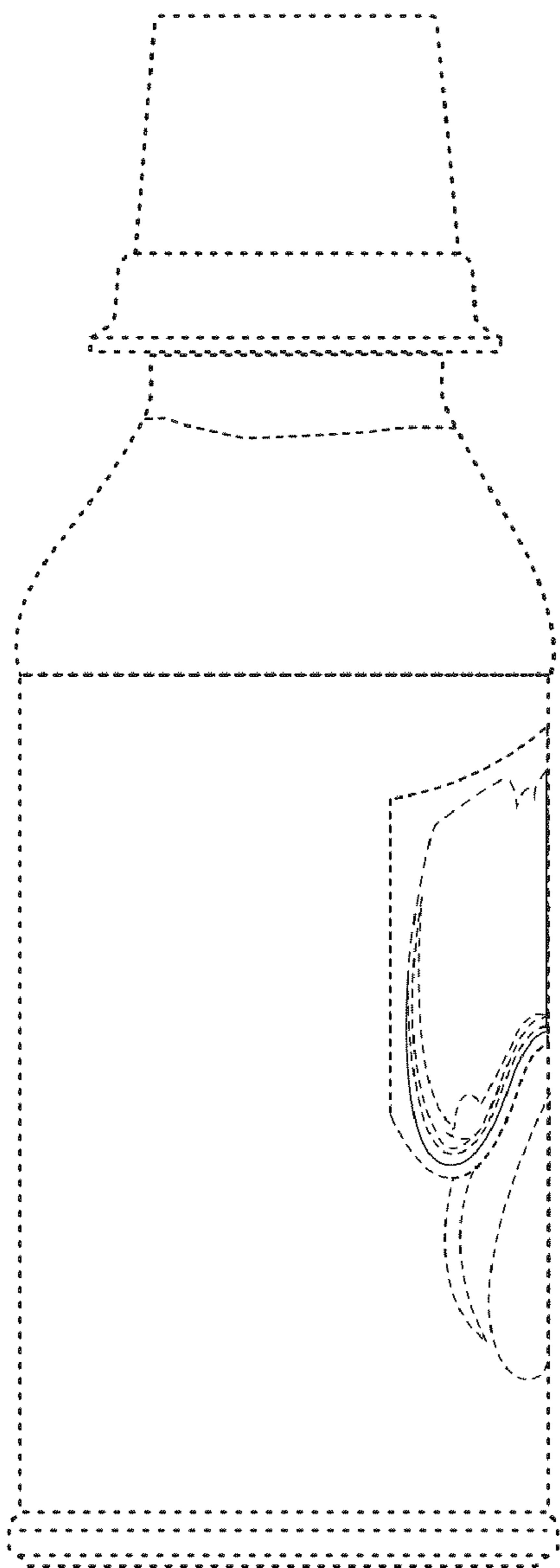


Fig. 10

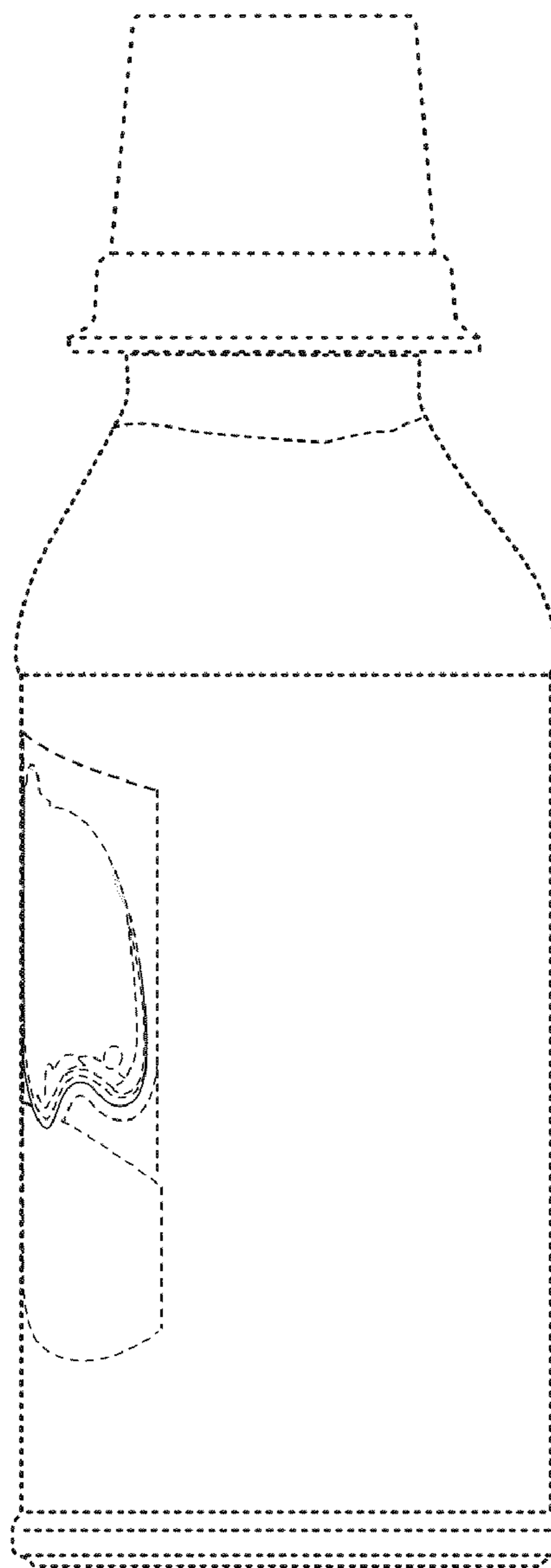


Fig. 11

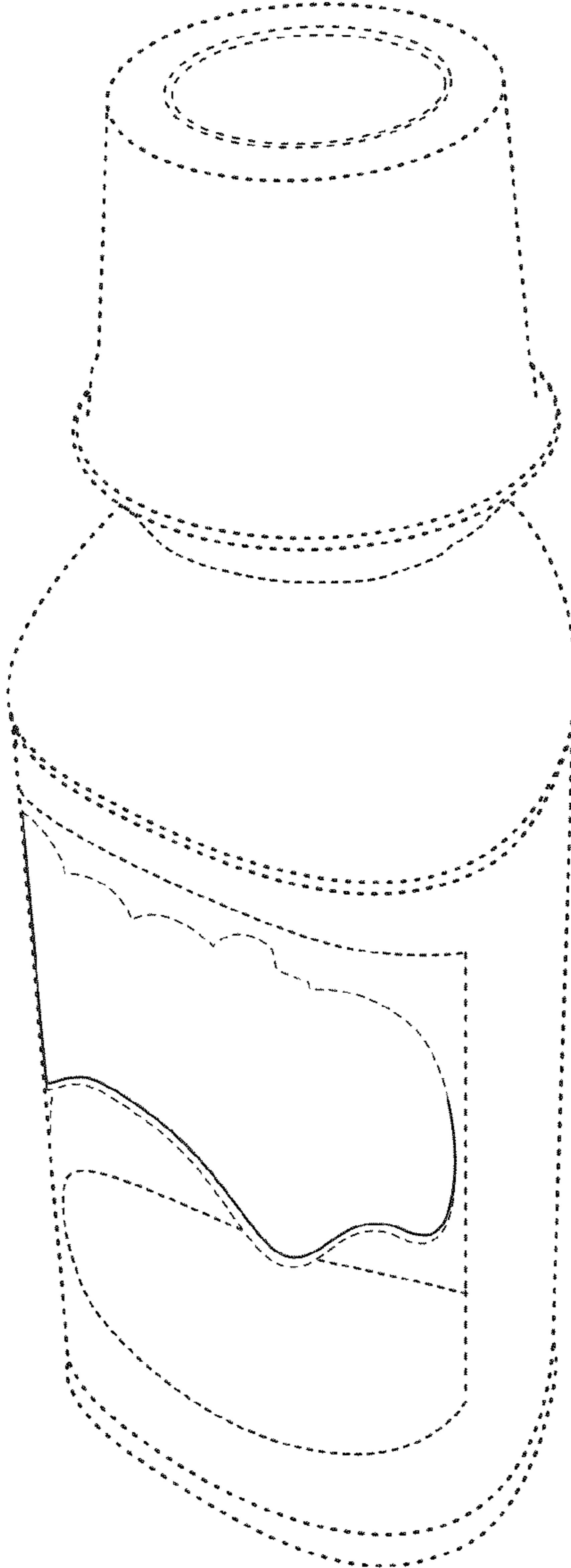


Fig. 12

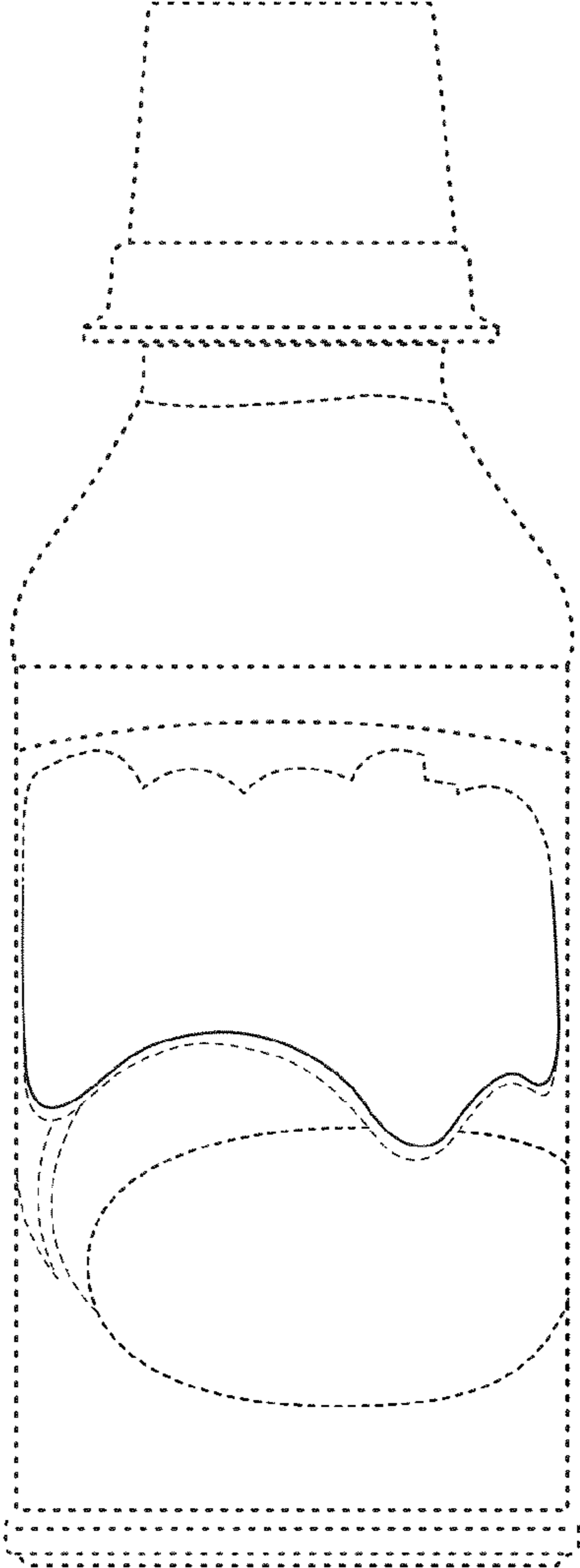


Fig. 13

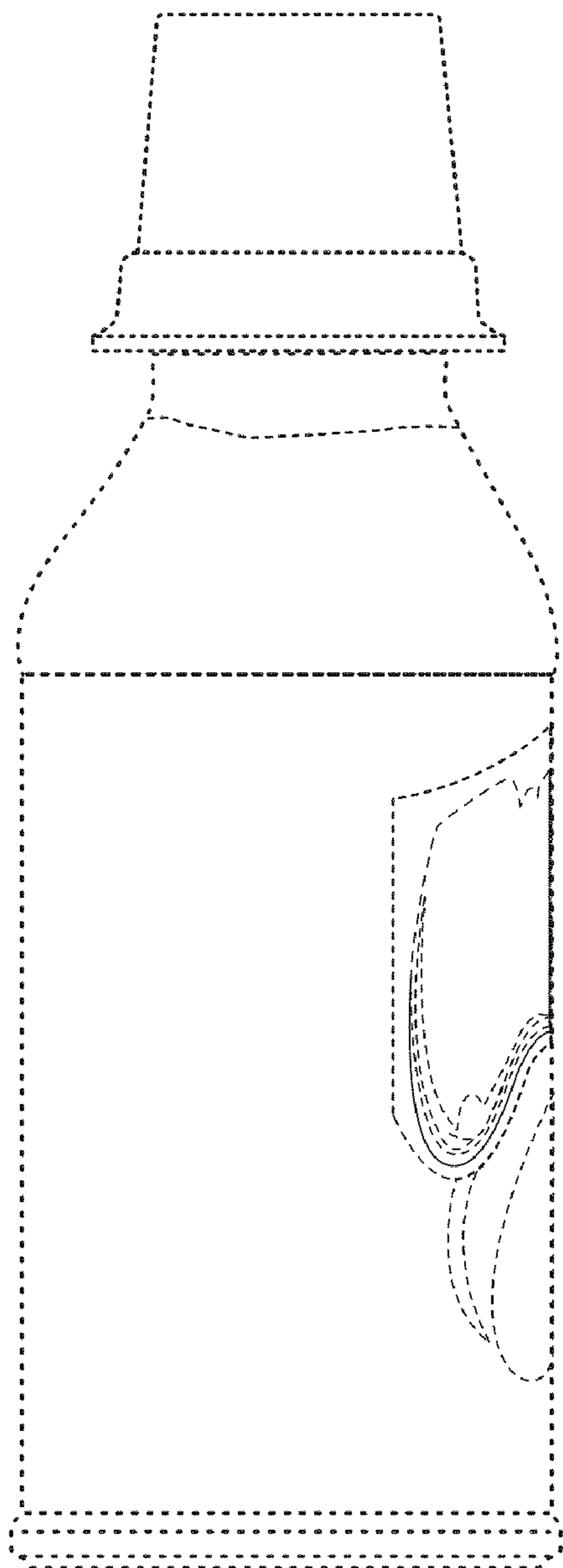


Fig. 14

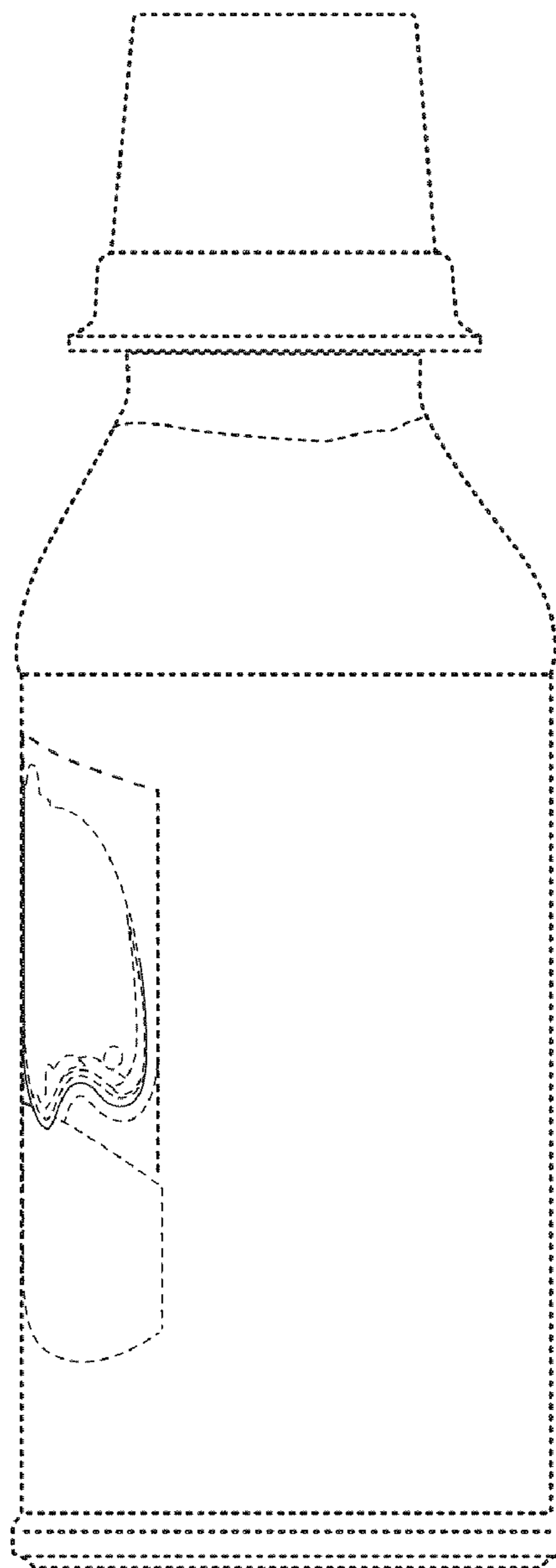


Fig. 15

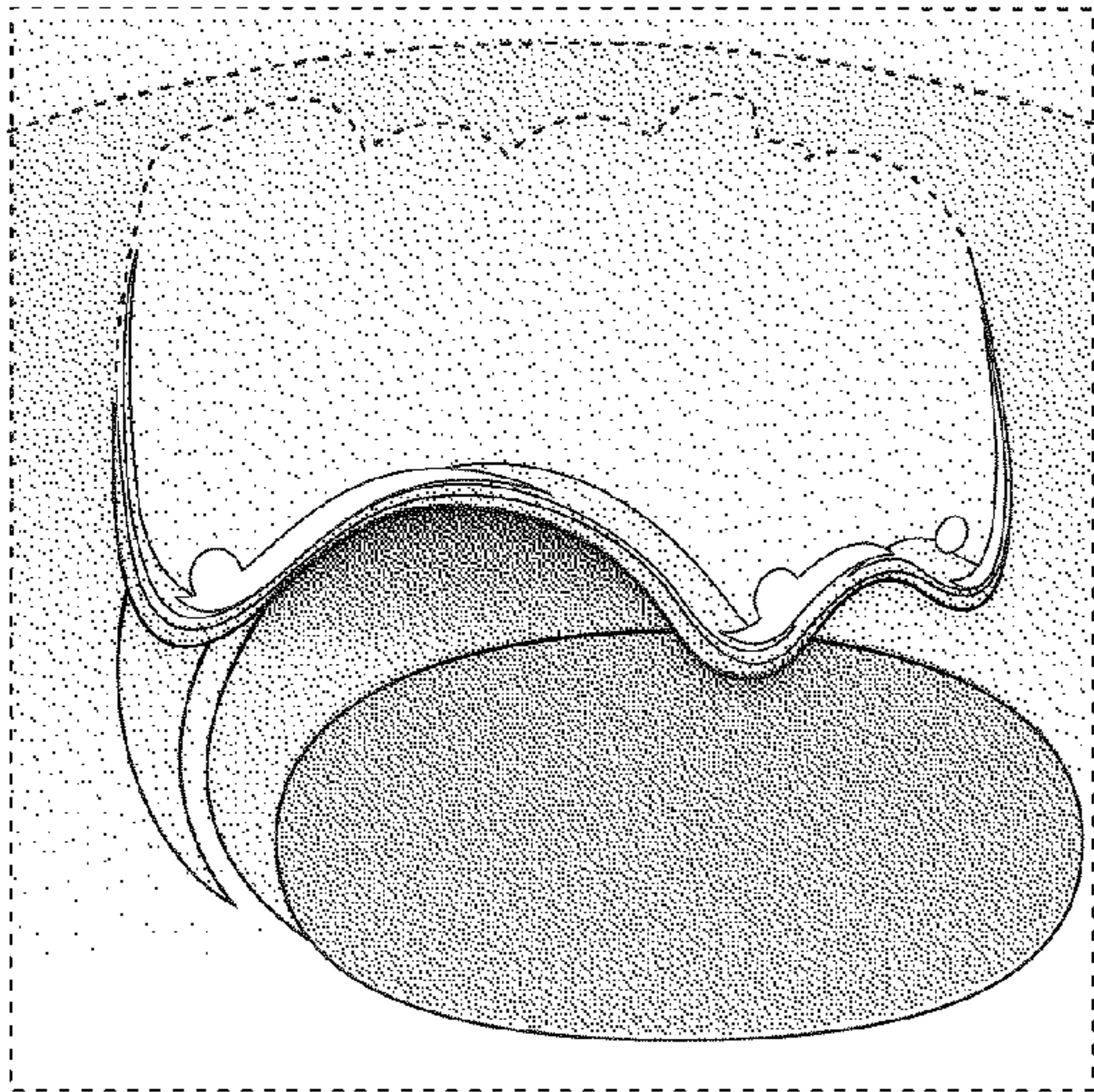


Fig. 16

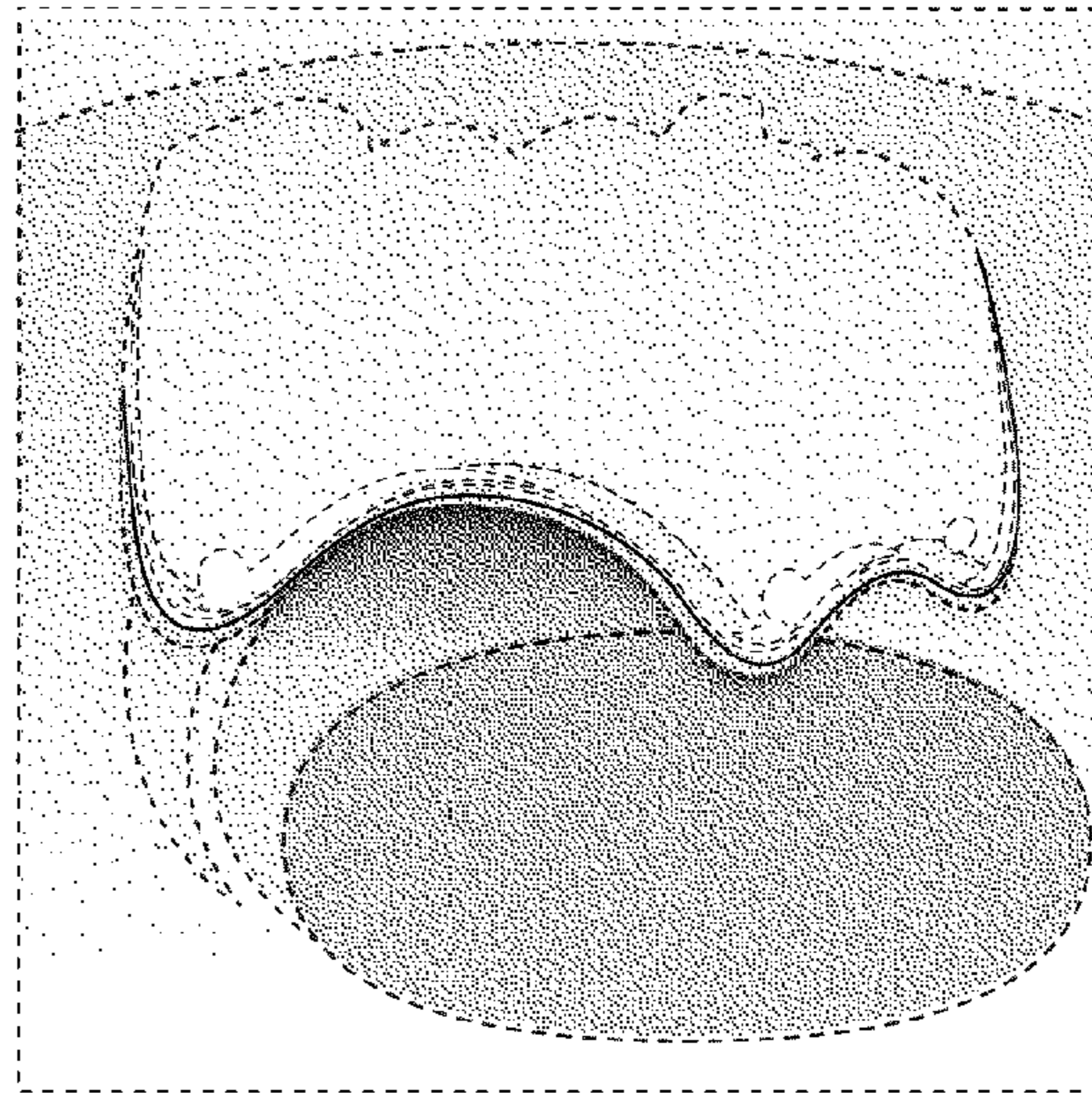


Fig. 17

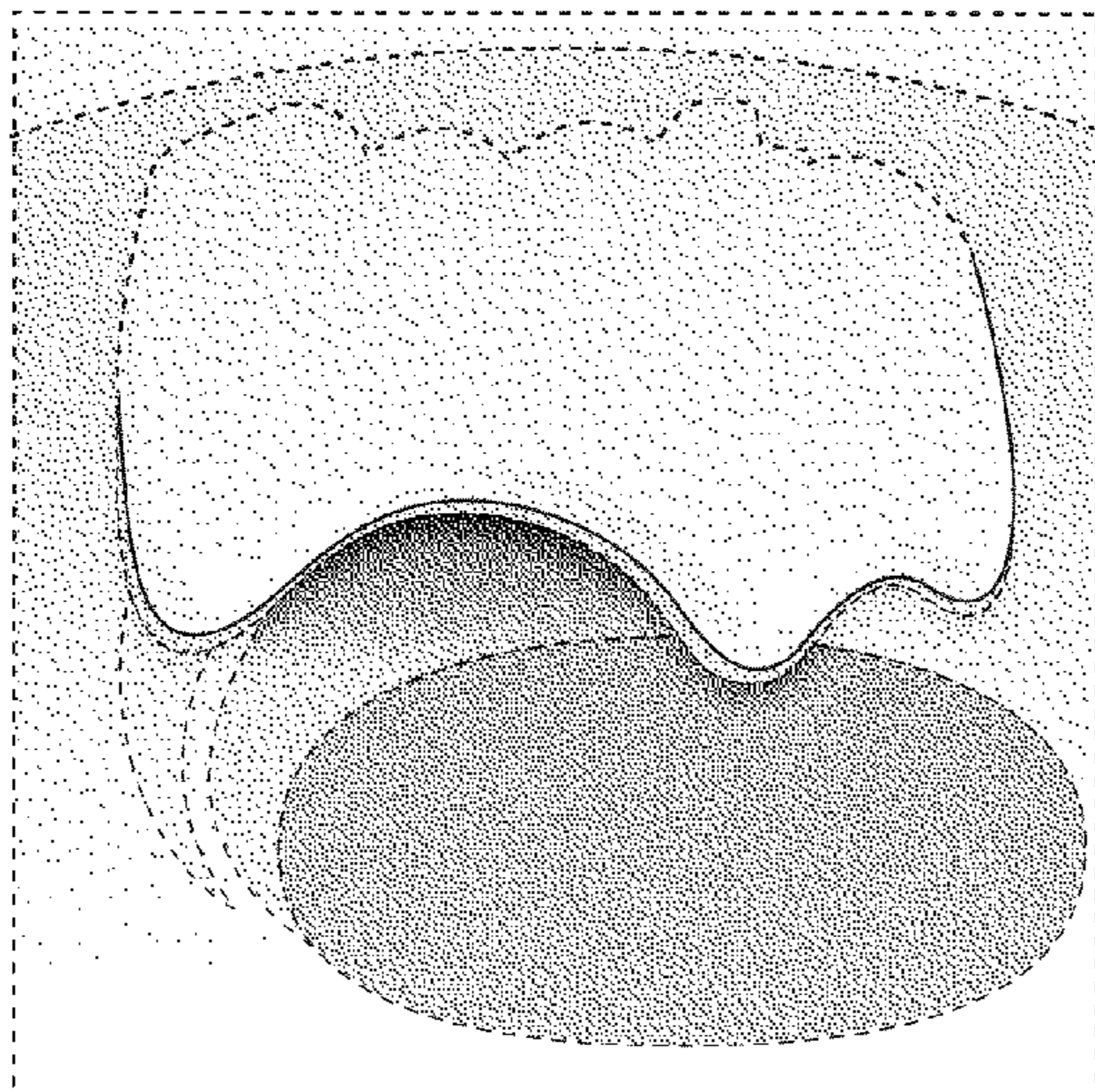


Fig. 18

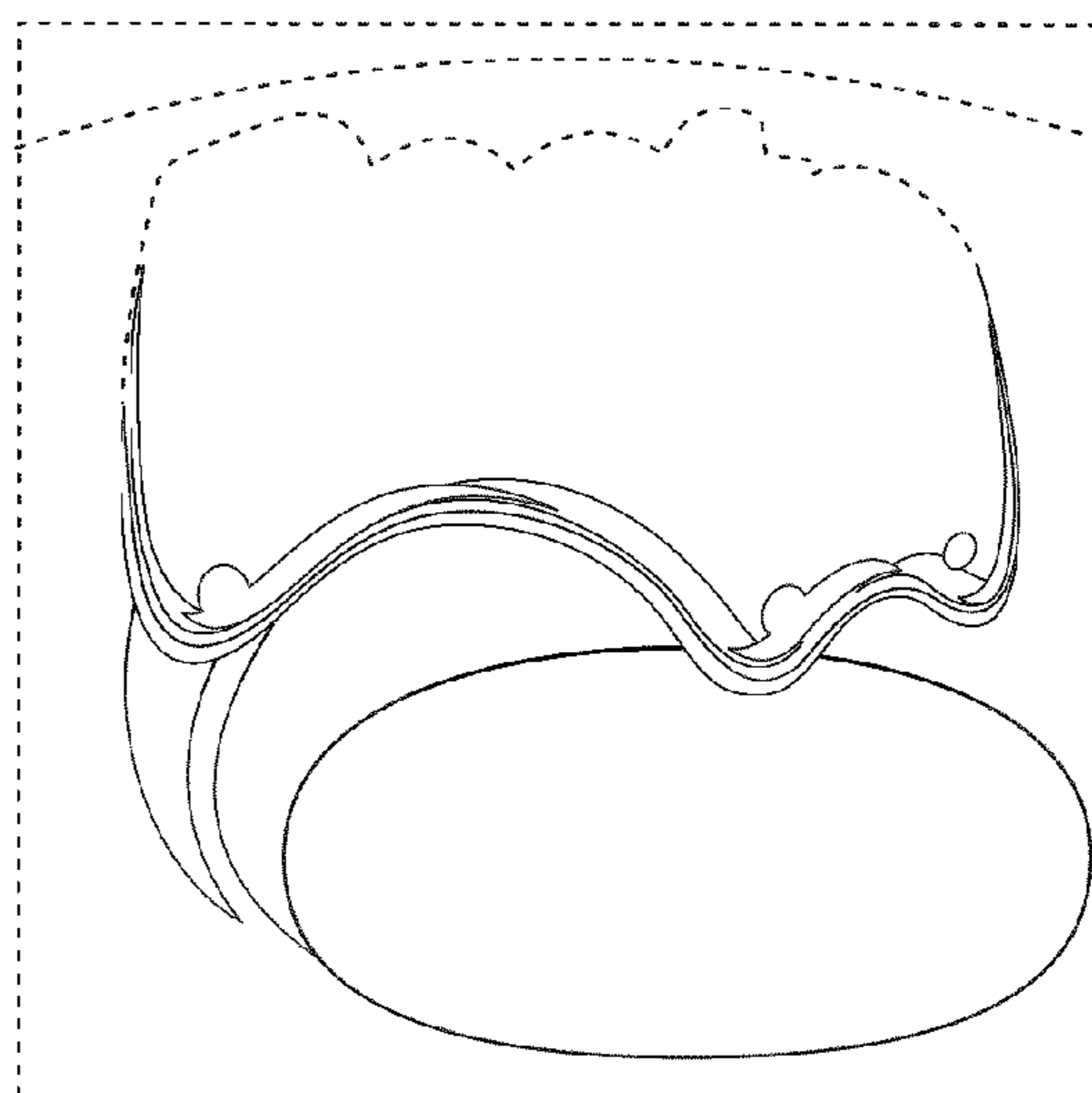


Fig. 19

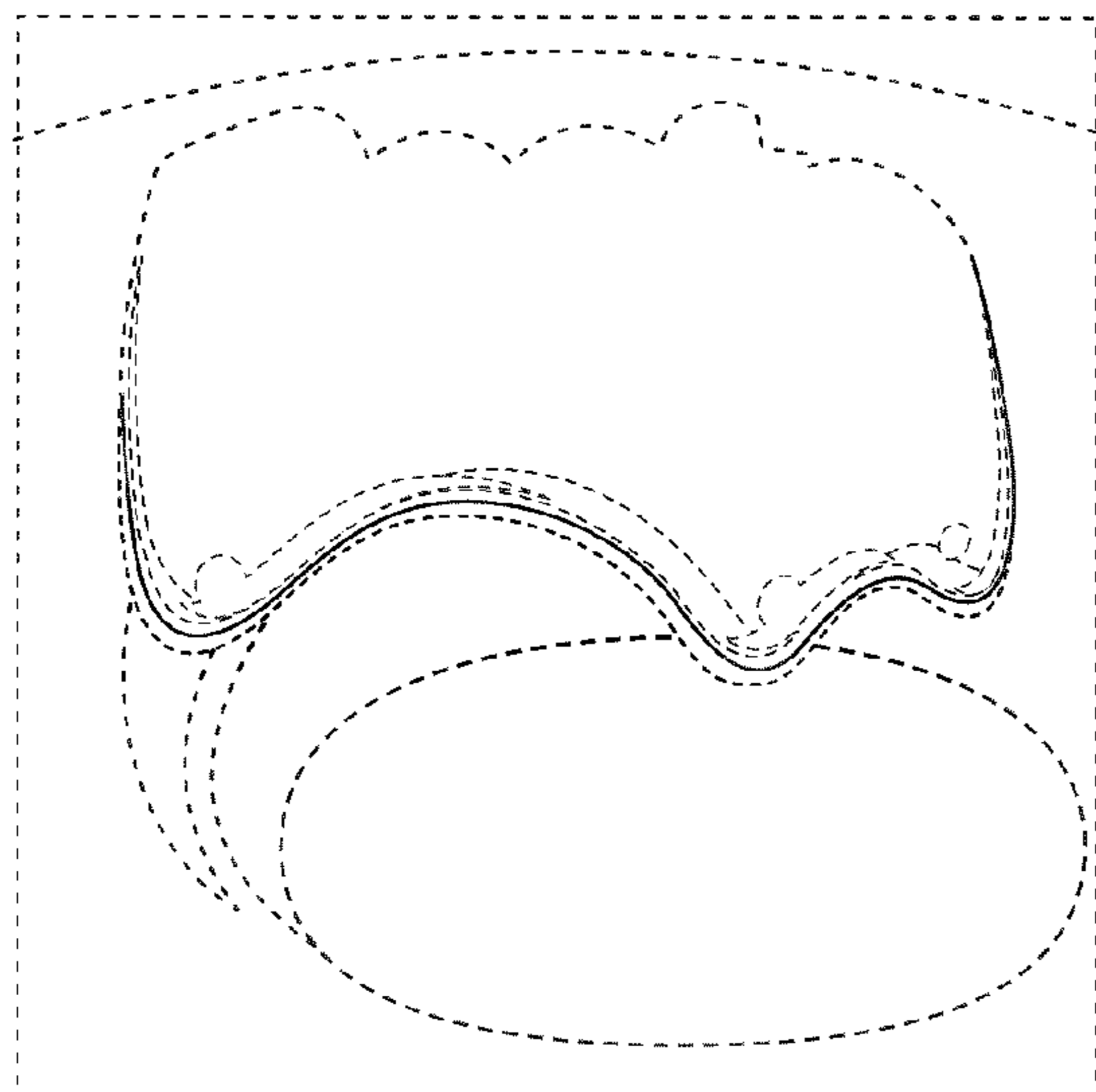


Fig. 20

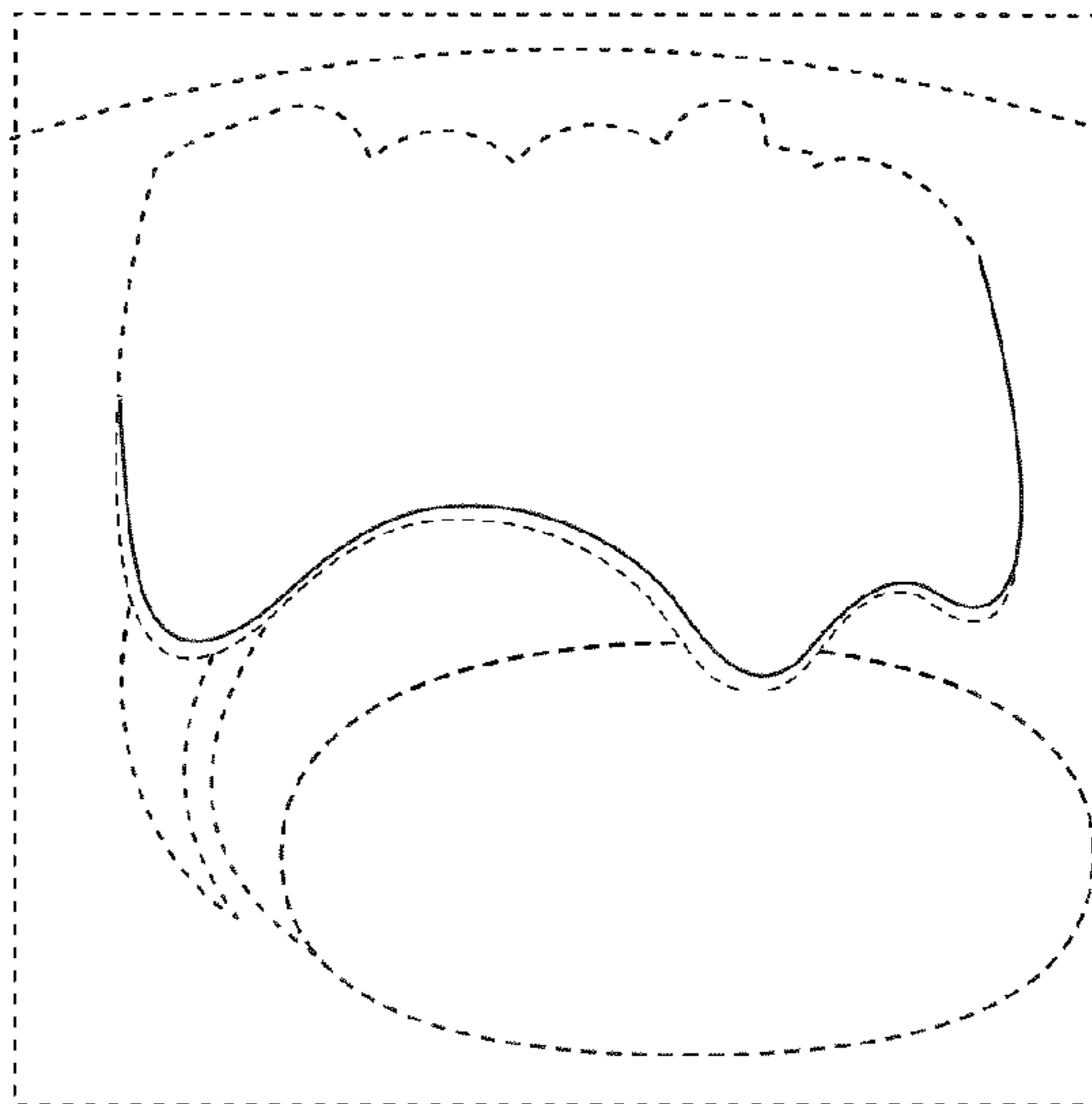


Fig. 21