



US00D646968S

(12) **United States Design Patent**
Ortiz et al.

(10) **Patent No.:** **US D646,968 S**

(45) **Date of Patent:** **** Oct. 18, 2011**

(54) **CONTAINER**

(75) Inventors: **Diana Ortiz**, Purchase, NY (US); **Jason Billig**, New York, NY (US); **Stuart Leslie**, New York, NY (US)

(73) Assignee: **PepsiCo, Inc.**, Purchase, NY (US)

(**) Term: **14 Years**

(21) Appl. No.: **29/354,097**

(22) Filed: **Jan. 19, 2010**

(51) **LOC (9) Cl.** **09-03**

(52) **U.S. Cl.** **D9/429**

(58) **Field of Classification Search** D9/414,
D9/418, 424, 425, 428, 429; D7/619, 629;
229/400-406, 932, 906.1; 220/656-659,
220/669-675, 912, 4.21-4.27; 206/553,
206/557, 541, 775, 776

See application file for complete search history.

(56) **References Cited**

U.S. PATENT DOCUMENTS

| | | | | |
|--------------|---------|------------------|-------|--------|
| D193,584 S * | 9/1962 | Eicholtz | | D9/429 |
| D193,585 S * | 9/1962 | Eicholtz | | D9/429 |
| D195,282 S * | 5/1963 | Kulow | | D9/429 |
| D195,283 S * | 5/1963 | Kulow | | D9/429 |
| D213,428 S * | 3/1969 | Batdorf | | D9/429 |
| 4,875,620 A | 10/1989 | Lane, Sr. | | |
| D317,567 S | 6/1991 | Lane, Sr. | | |
| D317,568 S | 6/1991 | Lane, Sr. | | |
| D317,569 S | 6/1991 | Lane, Sr. | | |
| D336,041 S | 6/1993 | Zama | | |
| 5,224,623 A | 7/1993 | LaFleur | | |
| D342,447 S | 12/1993 | Aylward | | |
| D353,997 S | 1/1995 | Kashino et al. | | |
| D364,564 S | 11/1995 | Moore | | |
| 5,782,376 A | 7/1998 | Brauner et al. | | |
| D414,413 S | 9/1999 | Brown | | |
| 5,979,710 A | 11/1999 | Willemsen et al. | | |
| 6,086,931 A | 7/2000 | Whiteford | | |
| D430,023 S | 8/2000 | Shurtleff et al. | | |
| D438,794 S | 3/2001 | Miles et al. | | |
| D452,152 S | 12/2001 | Meeker et al. | | |
| D452,433 S | 12/2001 | Lazaris | | |

| | | | | |
|-----------------|---------|--------------------|-------|---------|
| D452,434 S | 12/2001 | Sweeney | | |
| D452,821 S | 1/2002 | Westphal | | |
| D453,108 S | 1/2002 | Gasco | | |
| D473,463 S | 4/2003 | Armstrong et al. | | |
| 6,588,654 B2 * | 7/2003 | Nakashima | | 229/402 |
| D507,740 S | 7/2005 | Ruiz et al. | | |
| D509,109 S | 9/2005 | Vovan | | |
| D519,831 S | 5/2006 | de Cleir et al. | | |
| D539,134 S | 3/2007 | Wallach | | |
| D542,649 S | 5/2007 | Sagel et al. | | |
| D543,452 S | 5/2007 | Gehring et al. | | |
| D543,843 S | 6/2007 | Gehring et al. | | |
| D546,672 S | 7/2007 | Chou | | |
| D548,069 S | 8/2007 | Sagel et al. | | |
| D561,020 S | 2/2008 | Kessell et al. | | |
| D574,703 S | 8/2008 | Cassol et al. | | |
| D575,148 S | 8/2008 | Sagel | | |
| D579,767 S | 11/2008 | Wallach | | |
| D597,404 S | 8/2009 | Bianchini | | |
| 2003/0089631 A1 | 5/2003 | Petricca | | |
| 2008/0197153 A1 | 8/2008 | Bourguignon et al. | | |
| 2008/0210697 A1 | 9/2008 | Kessell et al. | | |

* cited by examiner

Primary Examiner — Thomas Johannes

(74) *Attorney, Agent, or Firm* — Banner & Witcoff, Ltd.

(57) **CLAIM**

The ornamental design for a container, as shown and described.

DESCRIPTION

FIG. 1 is a front right perspective view of a container showing our new design;

FIG. 2 is a front elevation view thereof;

FIG. 3 is a right side elevation view thereof;

FIG. 4 is a rear elevation view thereof;

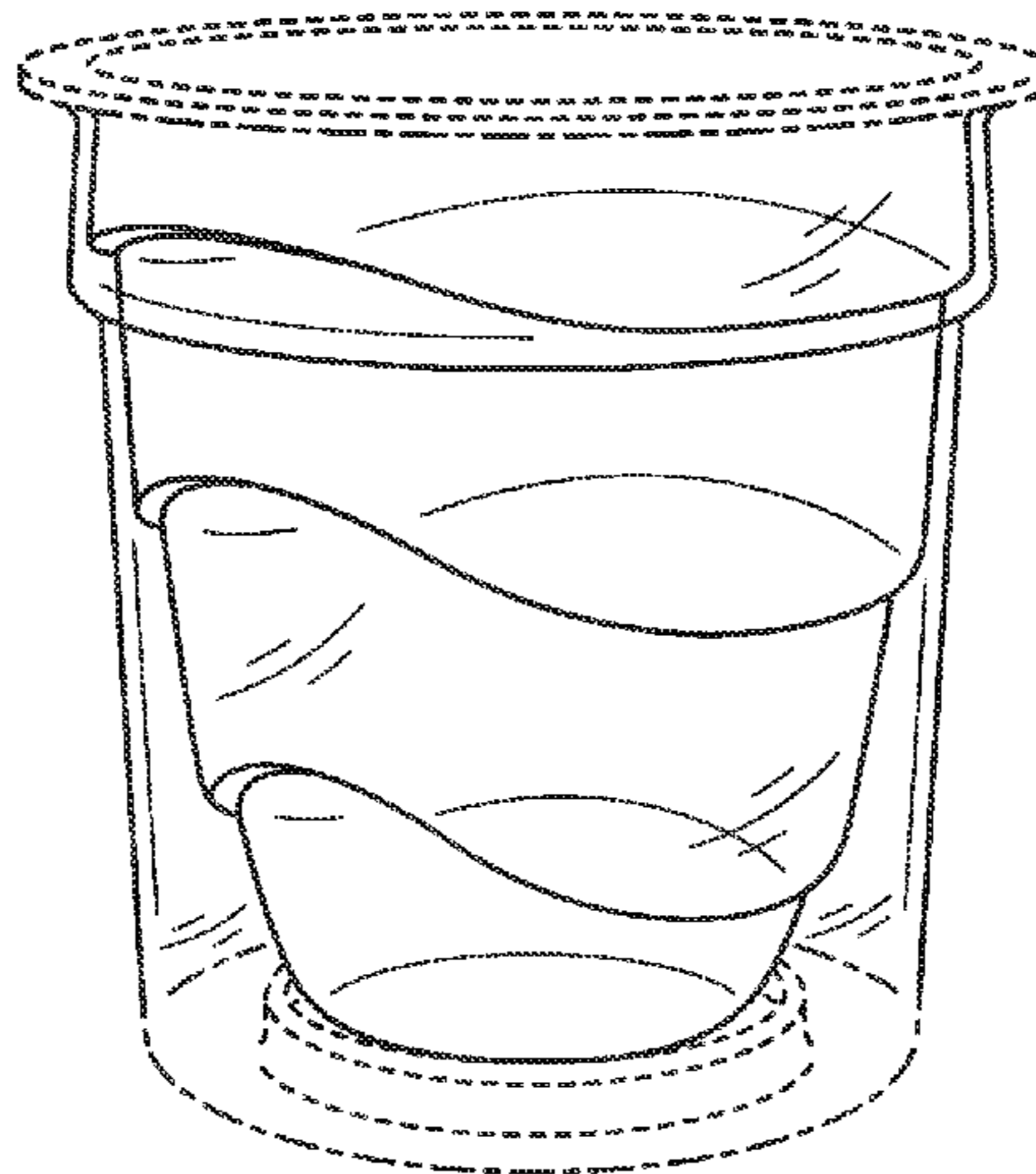
FIG. 5 is a left side elevation view thereof;

FIG. 6 is a top plan view thereof; and,

FIG. 7 is a bottom plan view thereof.

The uneven length broken lines represent unclaimed boundaries of the claimed design. The even length broken lines showing the remainder of the container show unclaimed subject matter only and form no part of the claimed design.

1 Claim, 6 Drawing Sheets



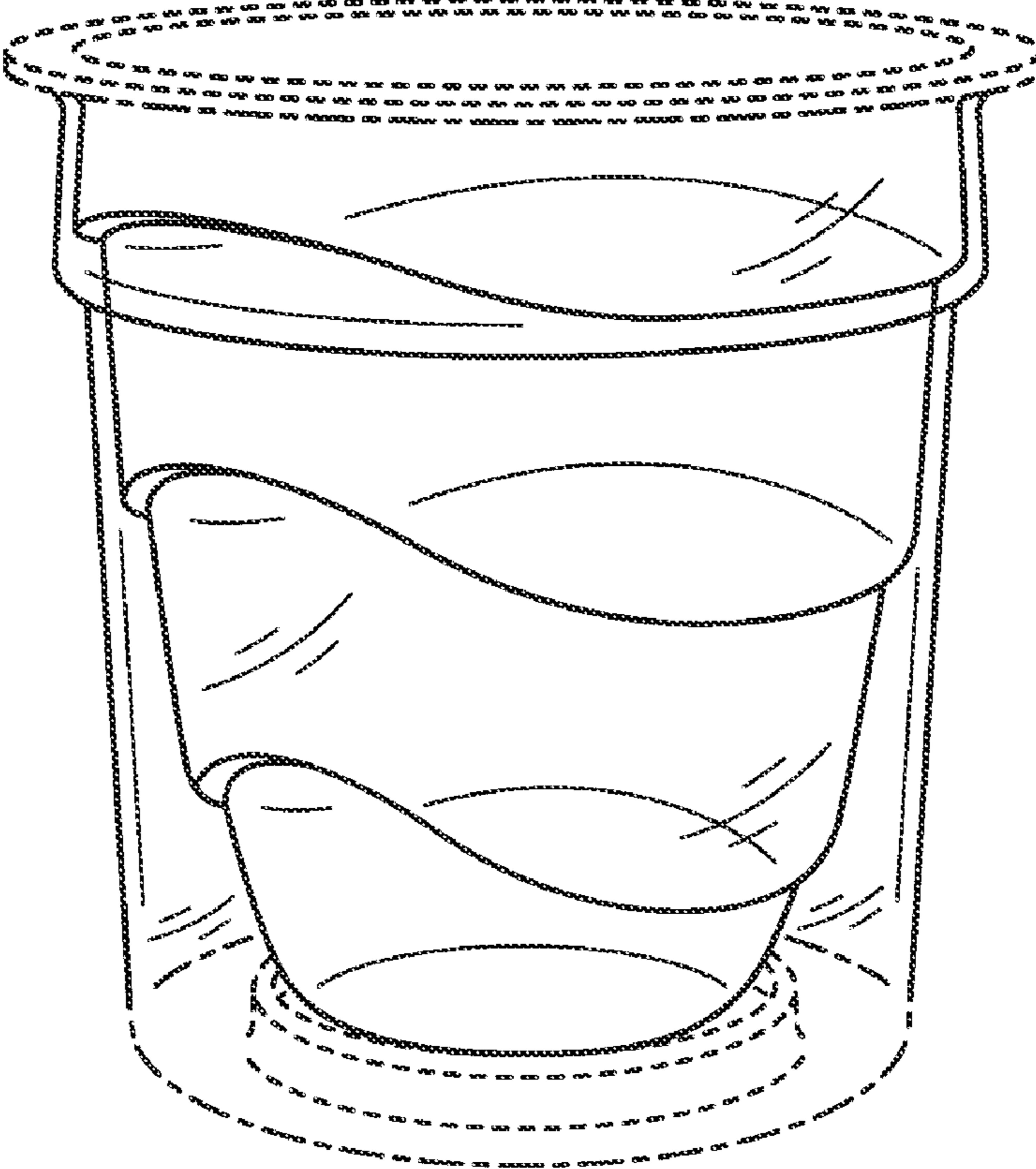


FIG. 1

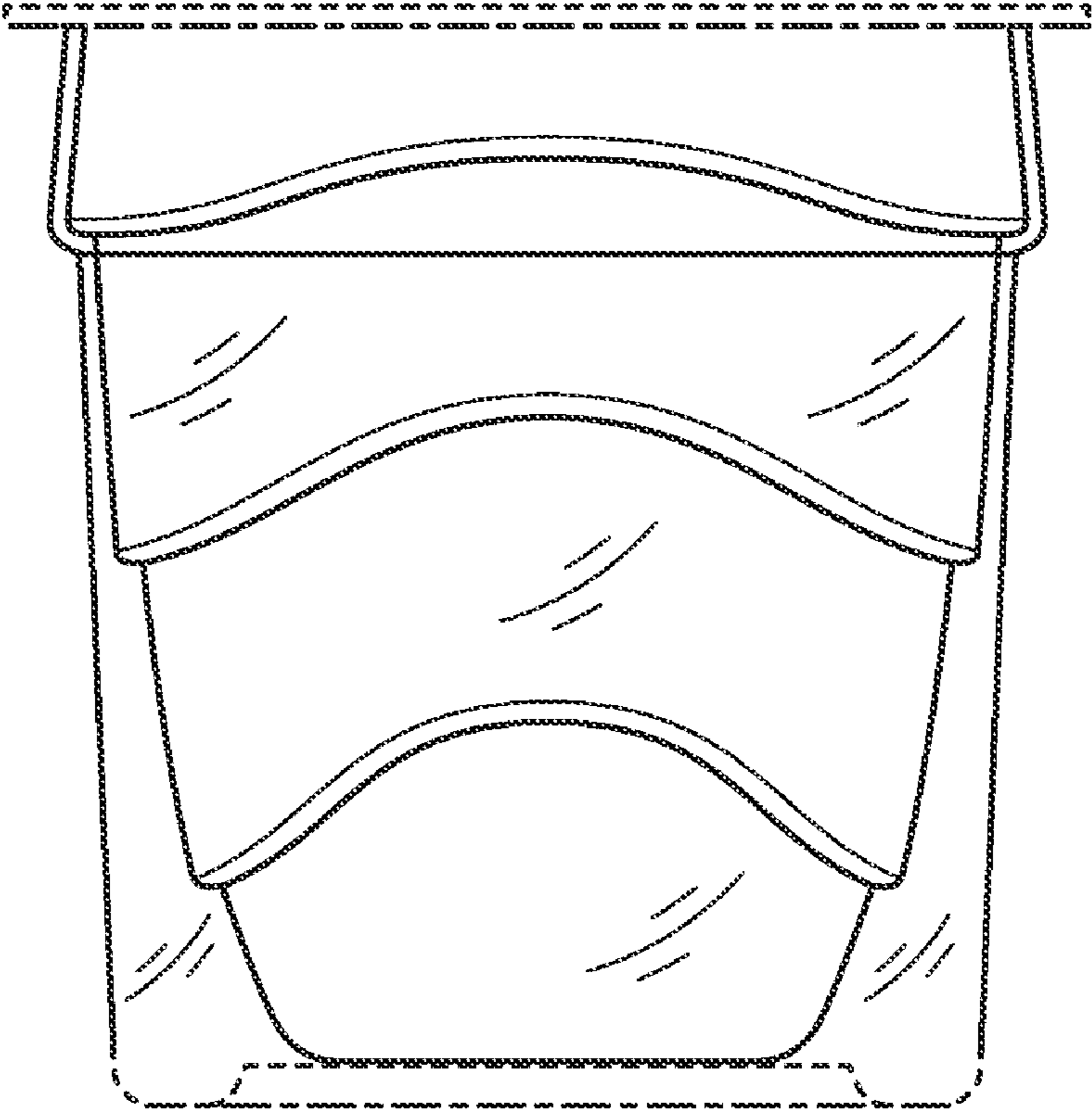


FIG. 2

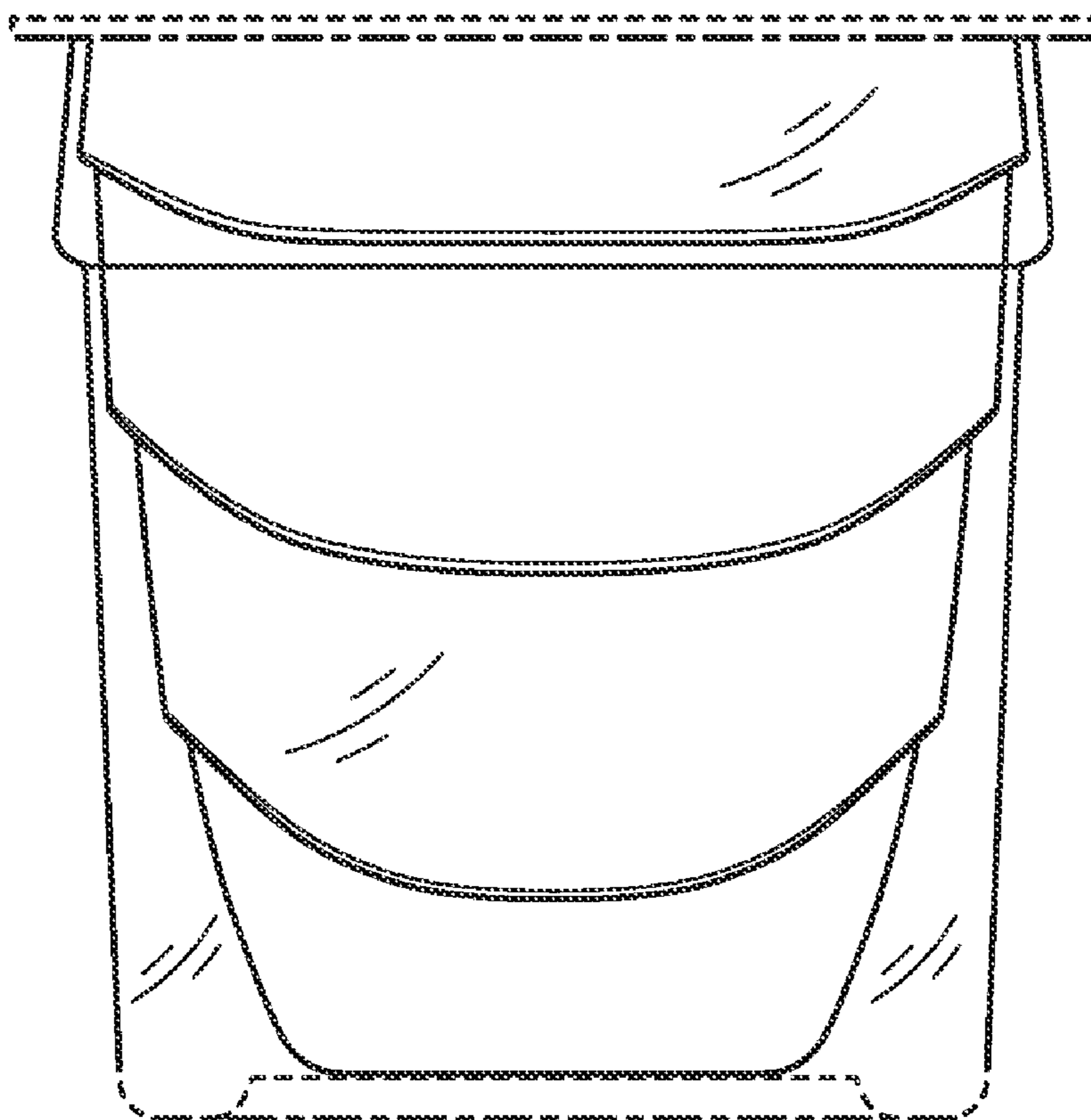


FIG. 3

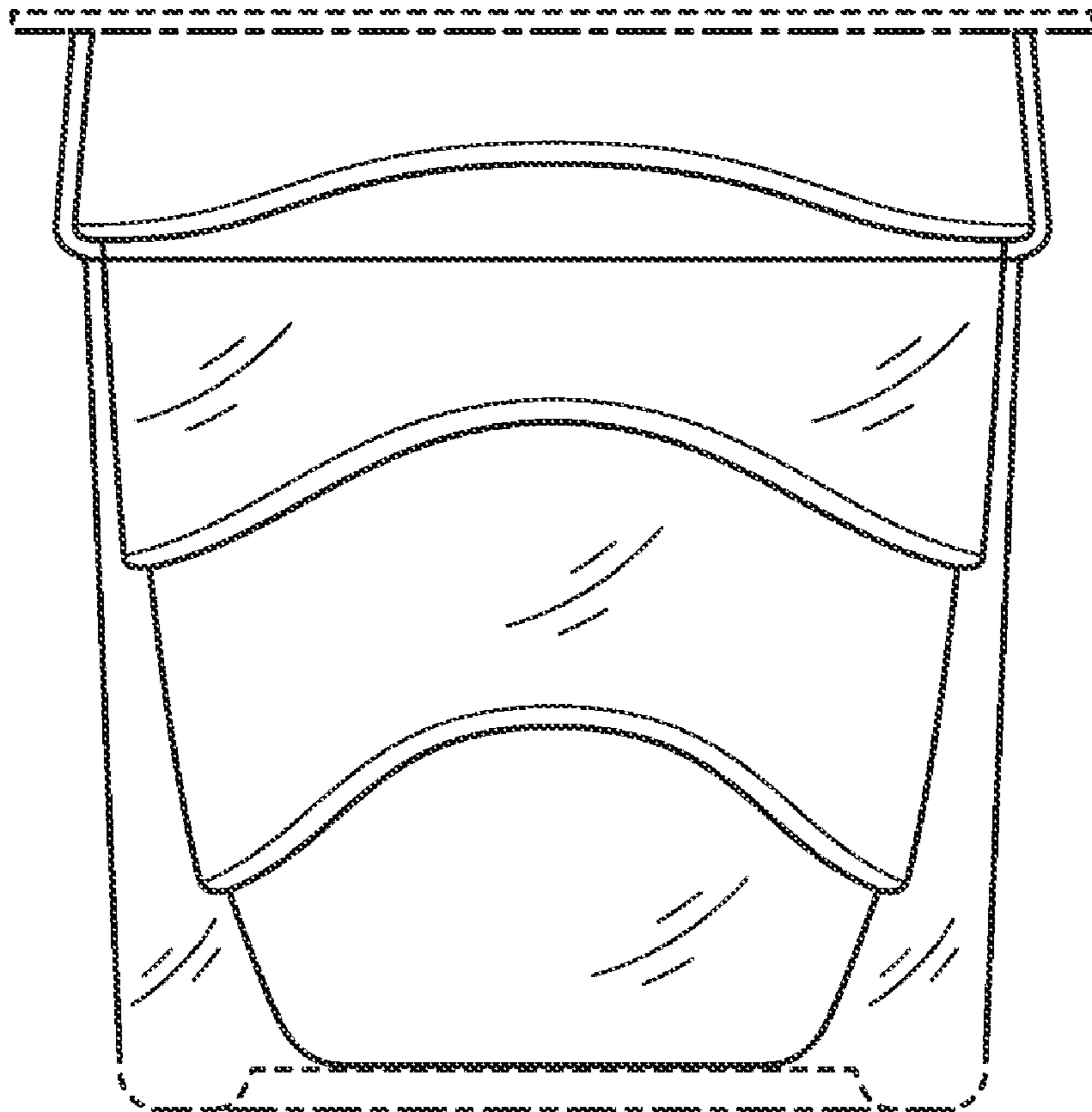


FIG. 4

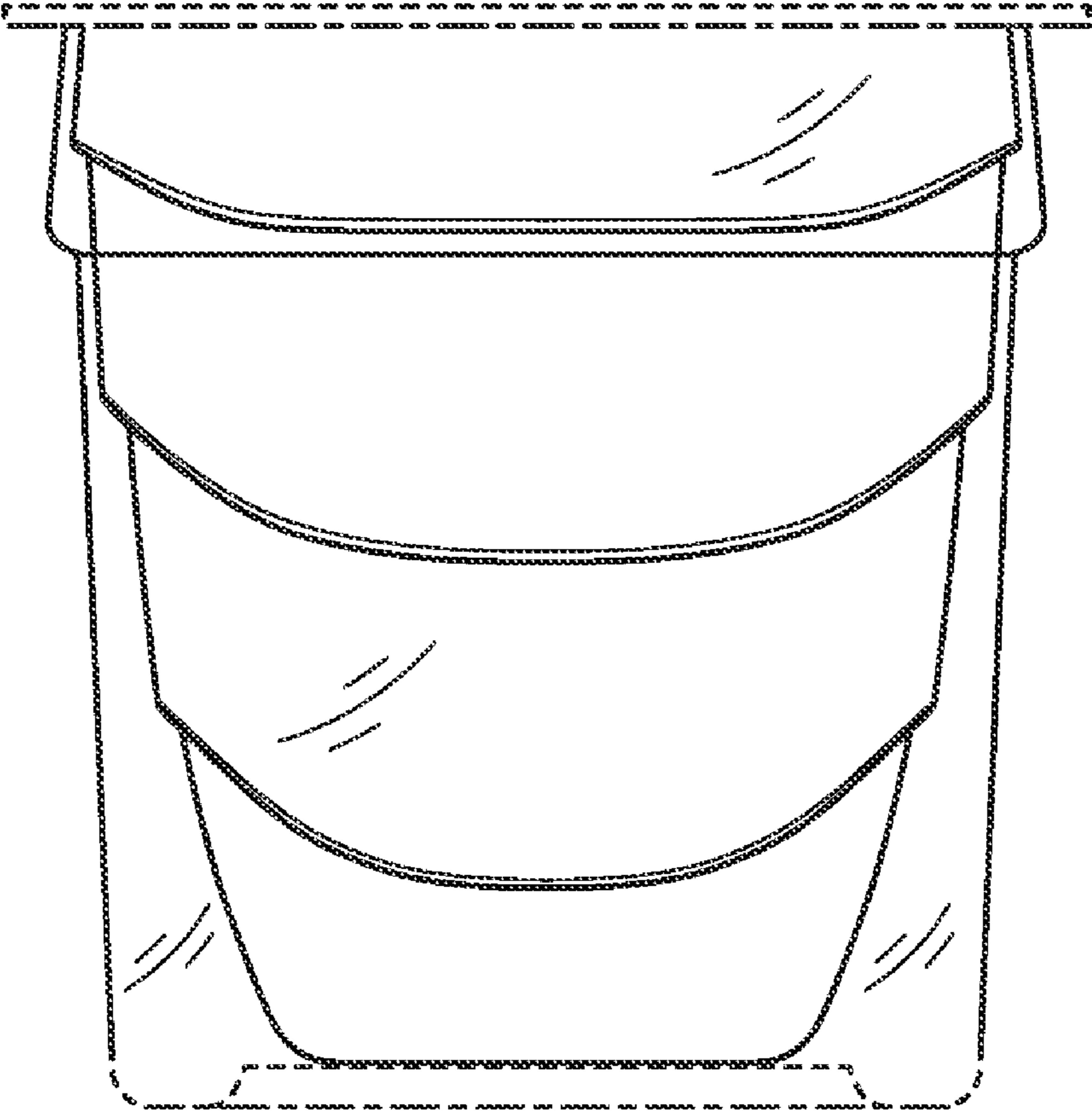


FIG. 5

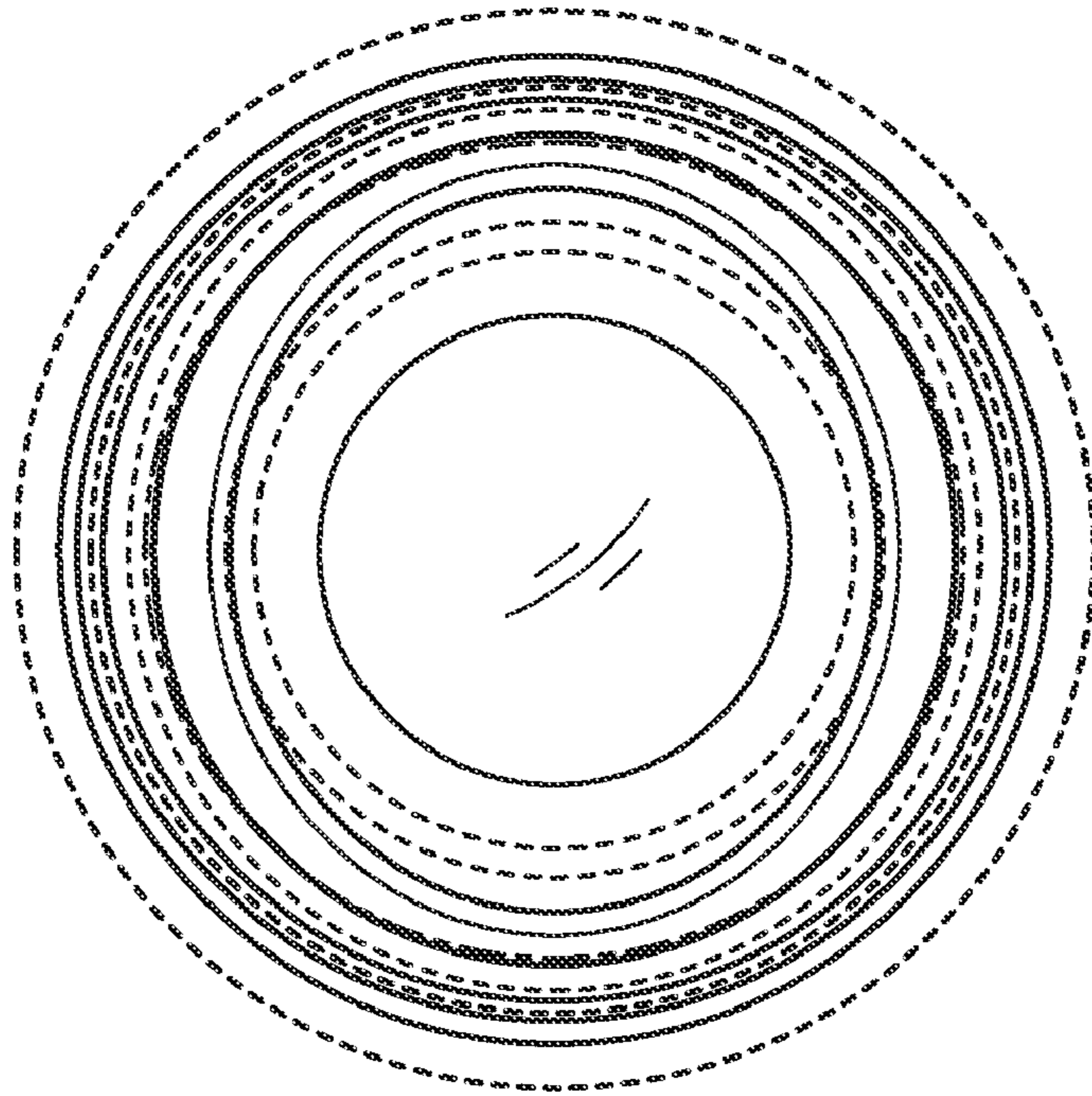


FIG. 6

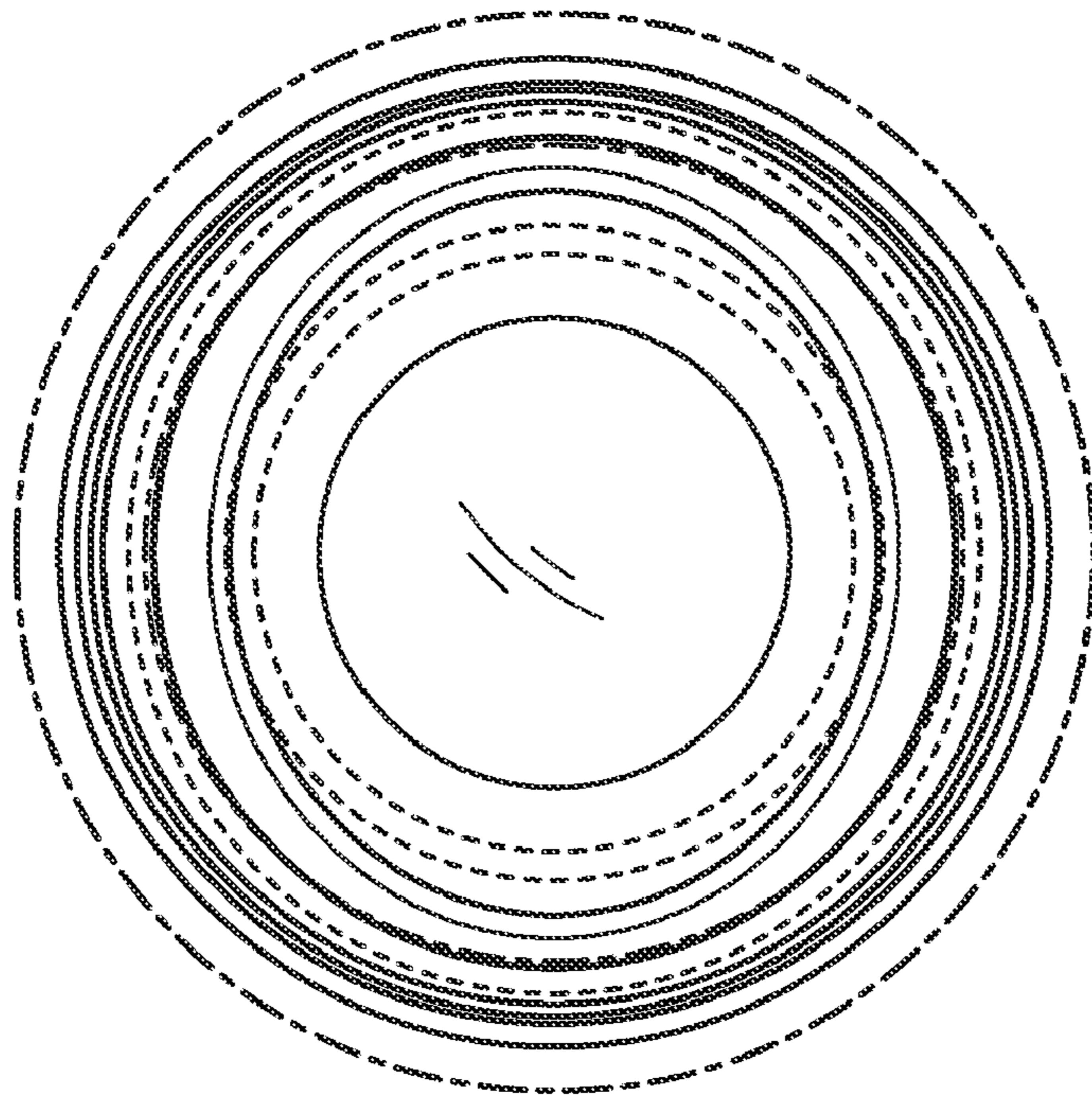


FIG. 7