



US00D646967S

(12) **United States Design Patent**  
**Tamshe et al.**

(10) **Patent No.:** **US D646,967 S**  
(45) **Date of Patent:** **\*\* Oct. 18, 2011**

(54) **CONTAINER**  
(75) Inventors: **Amir Tamshe**, San Dimas, CA (US);  
**Victor Katseli**, Hertzelia, IL (US);  
**Gandhi B. Sifuentes**, Whittier, CA (US)

(73) Assignees: **Direct Pack, Inc.**, Sun Valley, CA (US);  
**Amir Tamshe**, San Dimas, CA (US);  
**Victor Katseli**, Hertzelia (IL)

(\*\*) Term: **14 Years**

(21) Appl. No.: **29/380,575**

(22) Filed: **Dec. 8, 2010**

(51) **LOC (9) Cl.** ..... **09-03**

(52) **U.S. Cl.** ..... **D9/428; D9/425**

(58) **Field of Classification Search** ..... D9/414,  
D9/419, 424, 425-432, 500-504, 715-762;  
D7/538, 549, 550.1, 601-603, 605, 629;  
220/23.4, 23.6, 266, 281, 315, 318, 500,  
220/659, 669, 674, 675, 696, 752, 760, 790,  
220/793, DIG. 12, FOR. 117; 229/105, 117.09,  
229/117.26, 189, 406, 407, 902, 905, 915.1;  
206/499, 508, 557; D3/276

See application file for complete search history.

D246,289 S 11/1977 Boucher  
D250,092 S 10/1978 Schoenfield et al.  
D252,178 S 6/1979 Christian  
D254,166 S 2/1980 Christian  
4,197,940 A 4/1980 De Rossett  
4,219,119 A 8/1980 Zefran  
4,412,630 A 11/1983 Daenen  
D272,029 S 1/1984 Grusin  
D272,595 S 2/1984 Chase et al.  
4,461,790 A 7/1984 Snider  
D282,808 S 3/1986 Daenen et al.  
D284,253 S 6/1986 Carlson  
D285,159 S 8/1986 Wexler  
D307,227 S 4/1990 Sibilio et al.  
D313,556 S 1/1991 Smith  
D314,704 S 2/1991 Lillelund et al.  
D320,558 S 10/1991 Timm  
D324,997 S 3/1992 Jones  
D329,782 S 9/1992 Narsutis  
D330,311 S 10/1992 Narsutis  
D330,312 S 10/1992 Narsutis

(Continued)

*Primary Examiner* — Thomas Johannes

(74) *Attorney, Agent, or Firm* — Frost Brown Todd LLC

(57) **CLAIM**

The ornamental design for a container, as shown and described.

(56) **References Cited**

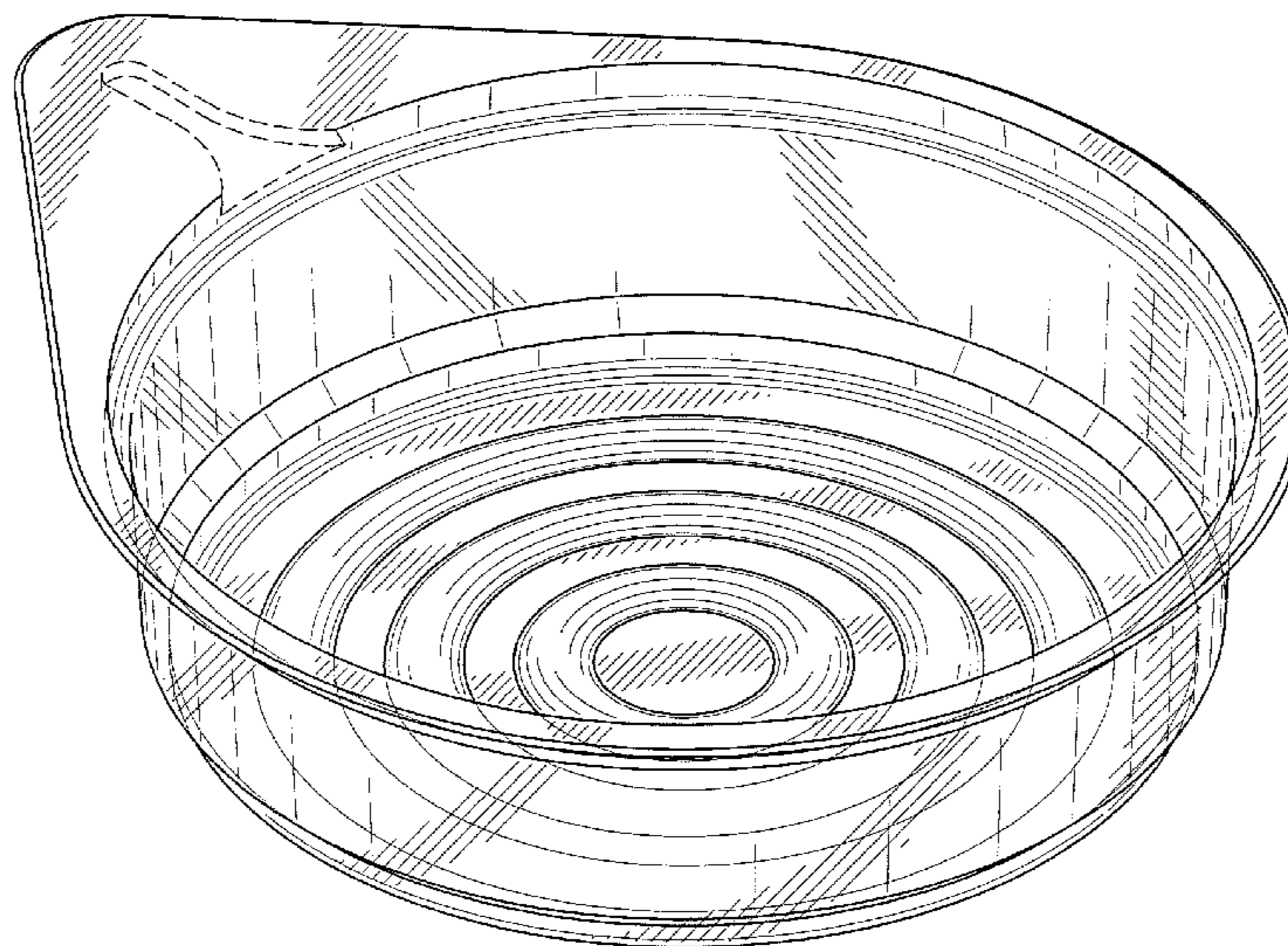
**U.S. PATENT DOCUMENTS**

D195,375 S 6/1963 Bostrom  
3,384,263 A 5/1968 Bernstein  
3,394,861 A 7/1968 Truax  
3,424,342 A 1/1969 Scopp et al.  
3,487,972 A 1/1970 Swett  
3,511,288 A 5/1970 Swett et al.  
3,512,697 A 5/1970 Robinson  
3,653,577 A 4/1972 Wyner  
3,688,939 A 9/1972 Beckers  
3,736,214 A 5/1973 McBirnie  
D242,974 S 1/1977 Hazzard  
D243,914 S 4/1977 Marubashi et al.  
4,027,778 A 6/1977 Tupper

**DESCRIPTION**

FIG. 1 is a top perspective view of a container, showing our new design;  
FIG. 2 is a left elevation view thereof;  
FIG. 3 is a right elevation view thereof;  
FIG. 4 is a front elevation view thereof;  
FIG. 5 is a back elevation view thereof;  
FIG. 6 is a top plan view thereof; and,  
FIG. 7 is a bottom plan view thereof.  
The channel shown in broken lines is unclaimed environment, and forms no part of the claimed design.

**1 Claim, 5 Drawing Sheets**



# US D646,967 S

## U.S. PATENT DOCUMENTS

D332,897 S	2/1993	Bucher et al.	D429,965 S	8/2000	Hayes et al.	
D333,410 S	2/1993	Panzarello	D440,829 S	4/2001	Brown	
D334,113 S	3/1993	Lewis et al.	D443,484 S	6/2001	Maxwell et al.	
D334,114 S	3/1993	Narsutis	D445,310 S	7/2001	Brown	
5,204,130 A	4/1993	McDevitt et al.	D445,650 S	7/2001	Maxwell et al.	
D336,017 S	6/1993	Smith et al.	D445,689 S	7/2001	McCutchan	
D336,018 S	6/1993	Smith et al.	D446,083 S	8/2001	Marsh et al.	
D338,373 S	8/1993	Sun	D446,084 S	8/2001	Schulein	
D340,625 S	10/1993	Wang	D449,495 S	10/2001	Tucker et al.	
D344,660 S	3/1994	Krupa	D450,580 S	11/2001	Littlejohn et al.	
D345,716 S	4/1994	Kwiatkowski	D462,880 S	9/2002	Maxwell et al.	
D348,805 S	7/1994	Cautereels	D479,951 S	9/2003	Segura	
D353,521 S	12/1994	Booten	D479,952 S	9/2003	Zimmerman	
D354,435 S	1/1995	Krupa	6,666,348 B2	12/2003	Fore et al.	
D354,436 S	1/1995	Krupa	D485,473 S	1/2004	Dais et al.	
D358,302 S	5/1995	Van Valkenburg et al.	D488,031 S	4/2004	Kim	
D366,989 S	2/1996	Zimmerman	D496,832 S	10/2004	Ekhtebar	
D367,589 S	3/1996	Zimmerman	D501,368 S	2/2005	Roth et al.	
D367,996 S	3/1996	Rausch	D501,764 S	2/2005	Lerner	
D371,938 S	7/1996	Davis	D502,096 S	2/2005	Wilcock et al.	
D378,563 S	3/1997	Ferris	D503,872 S	4/2005	Armato	
D394,189 S	5/1998	Reynaert et al.	6,892,883 B1	5/2005	Brumfield et al.	
D395,822 S	7/1998	Keal et al.	D505,835 S	6/2005	Schultz et al.	
D400,394 S	11/1998	Banach et al.	D506,106 S *	6/2005	Ordiway et al. .... D7/629	
D404,262 S	1/1999	McGill	D511,074 S	11/2005	Claypool et al.	
5,855,288 A	1/1999	Dallas, Jr.	D511,437 S	11/2005	Brown	
D408,734 S	4/1999	McCann	D522,809 S	6/2006	Kusuma et al.	
D411,714 S *	6/1999	Wilson et al. .... D7/629	D523,287 S	6/2006	Hayes et al.	
D411,741 S	6/1999	Wilson et al.	D523,296 S	6/2006	Kim	
D415,025 S	10/1999	McCann	D533,451 S	12/2006	McCumber	
D415,420 S	10/1999	Chen	D546,632 S	7/2007	Oberloier et al.	
D417,847 S	12/1999	Rush et al.	7,261,219 B2	8/2007	Tucker et al.	
D419,067 S	1/2000	Guillin	D550,514 S	9/2007	Chiang et al.	
D419,829 S	2/2000	Wilson et al.	D552,423 S	10/2007	Friedland et al.	
D420,859 S	2/2000	Loew et al.	D557,569 S	12/2007	Stamper et al.	
D428,777 S	8/2000	Hayes et al.	D591,590 S *	5/2009	Wilson et al. .... D9/428	
D429,150 S	8/2000	Lindsay et al.	D591,591 S *	5/2009	Moecks et al. .... D9/428	
D429,446 S	8/2000	Toussant et al.	2004/0245261 A1 *	12/2004	Stanos et al. .... 220/793	

\* cited by examiner

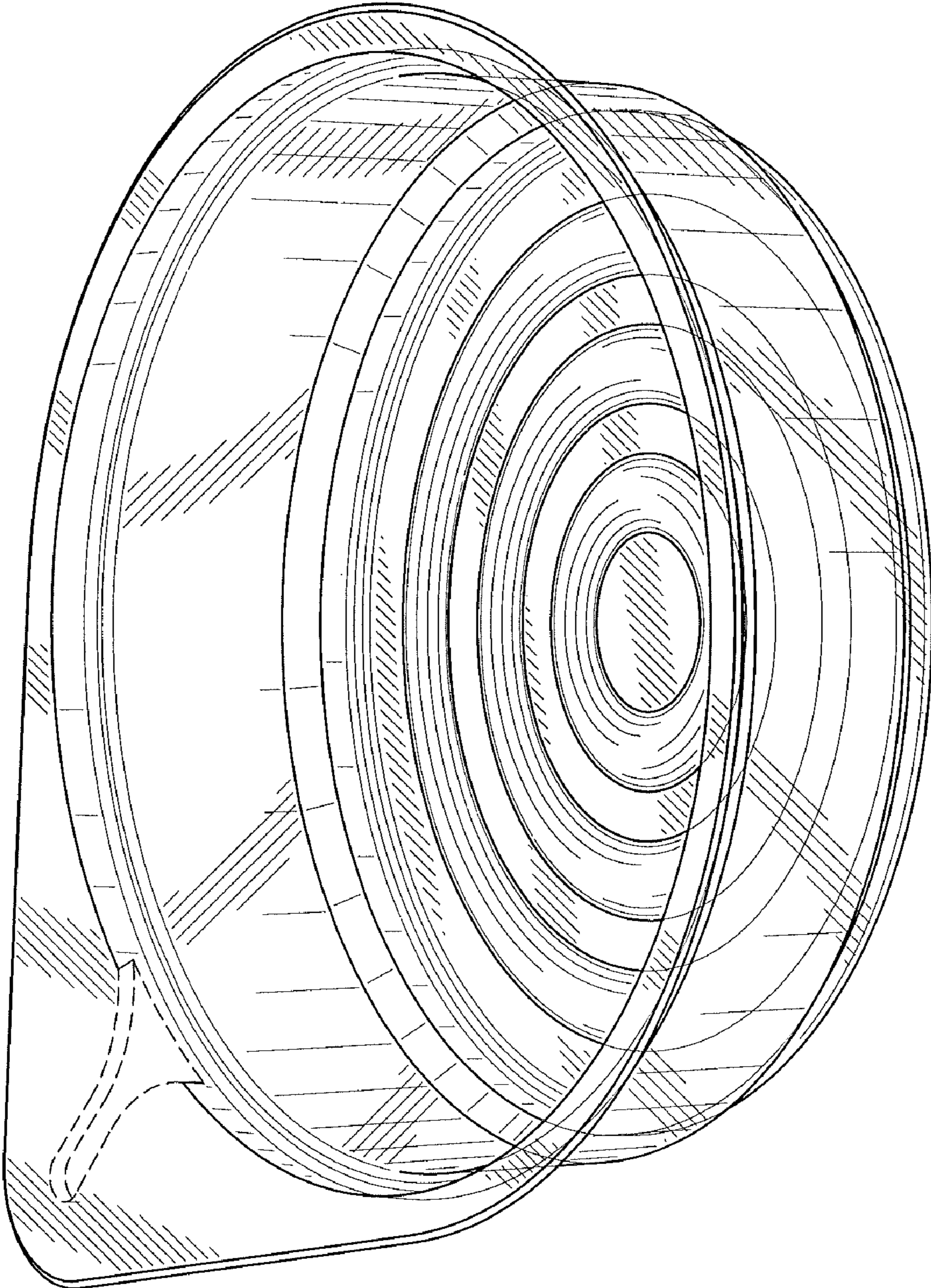


FIG. 1

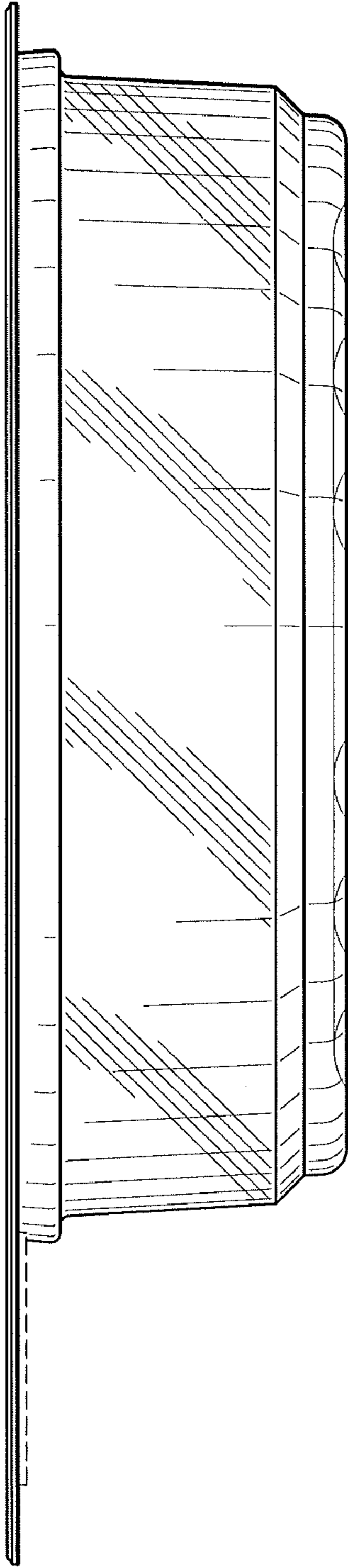


FIG. 2

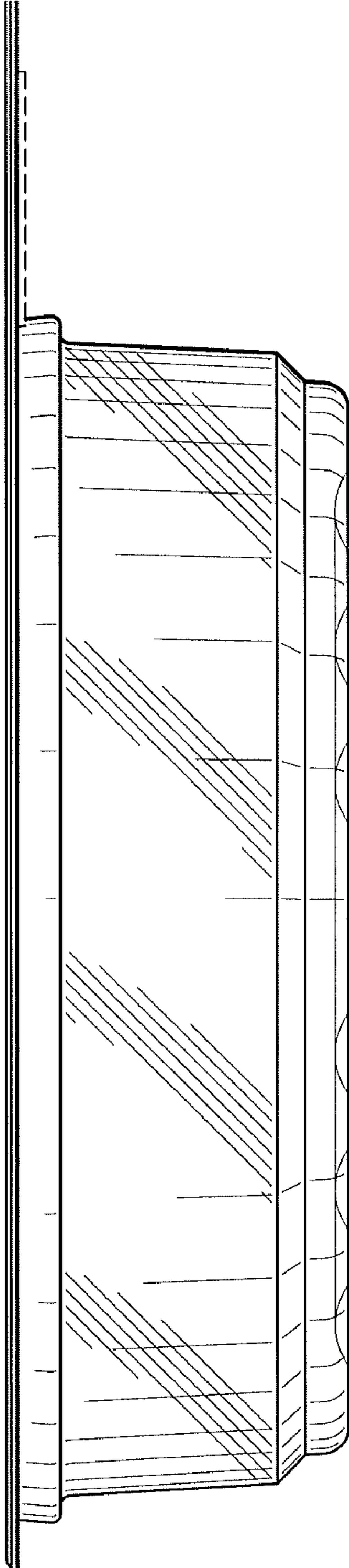


FIG. 3

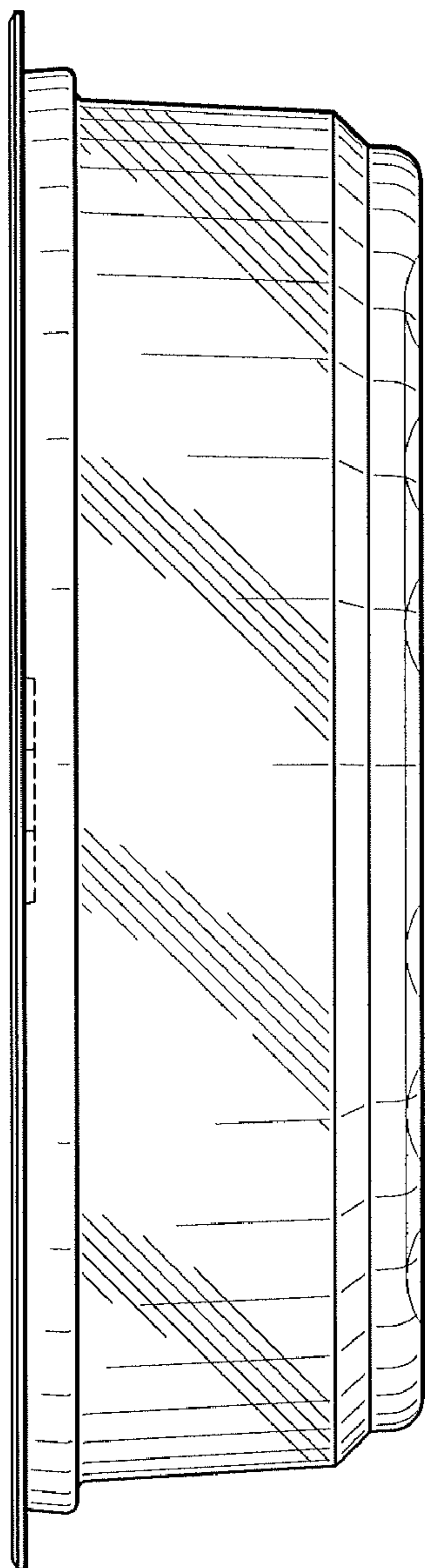


FIG. 4

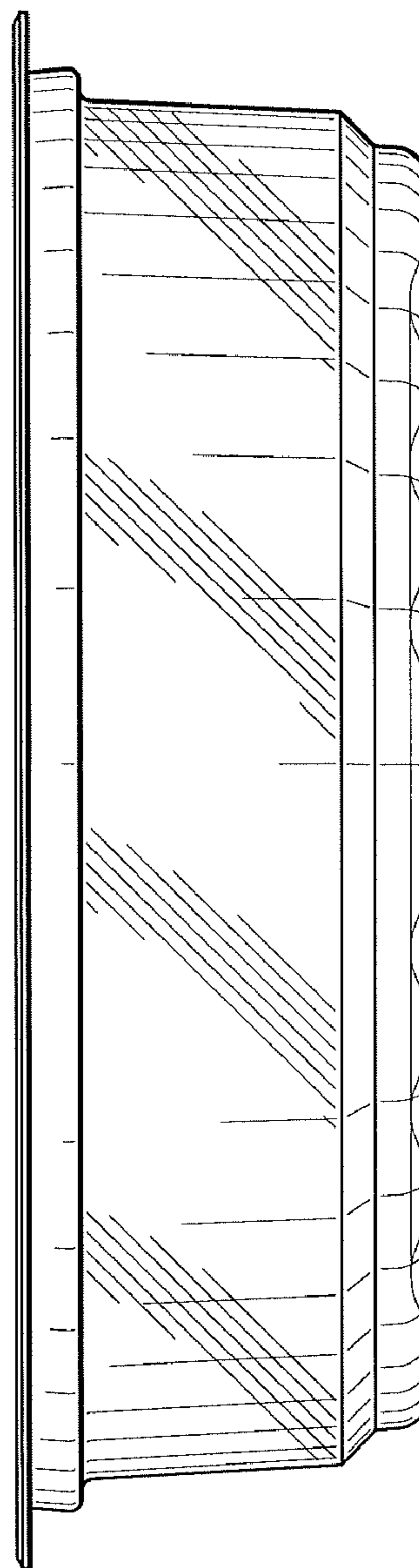


FIG. 5

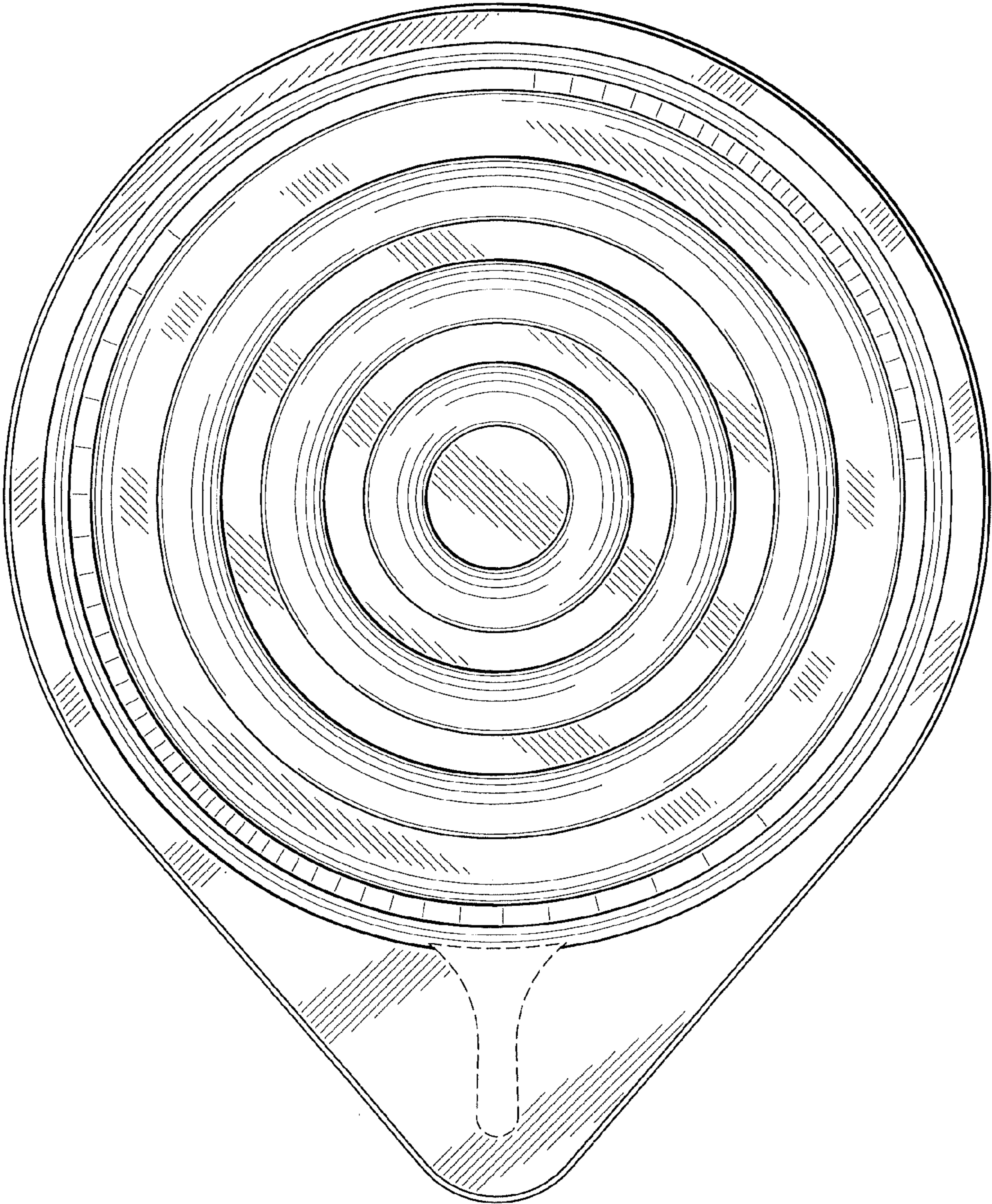


FIG. 6

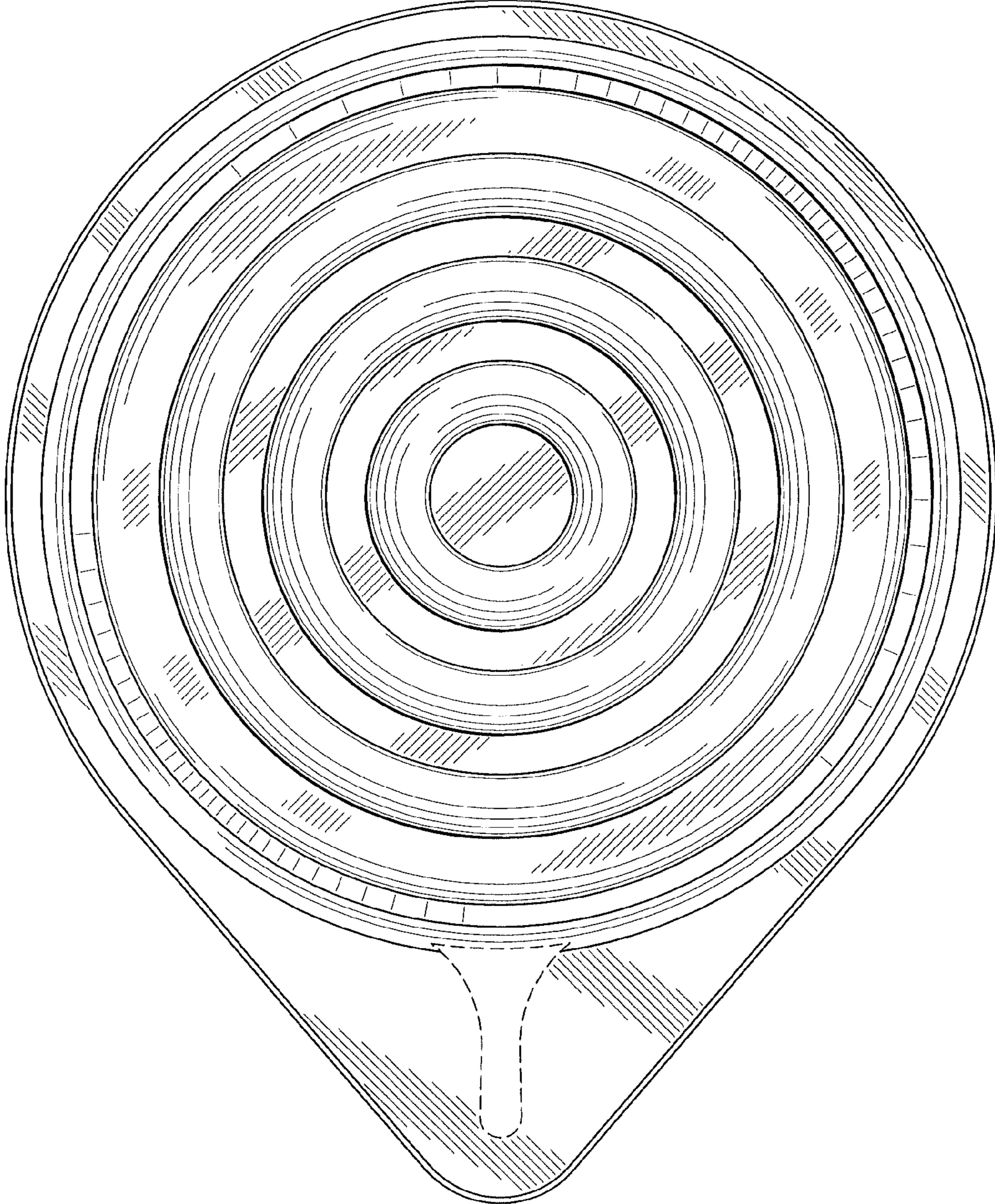


FIG. 7