



US00D646966S

(12) **United States Design Patent**
Gill et al.

(10) **Patent No.:** **US D646,966 S**
(45) **Date of Patent:** **** Oct. 18, 2011**

(54) **PLASTIC CONTAINER**

(75) Inventors: **Matthew T. Gill**, Hellam, PA (US);
Edward J. Roubal, III, Stewartstown,
PA (US); **Raymond A. Pritchett, Jr.**,
Brogue, PA (US); **Larry M. Taylor**,
Landisville, PA (US); **Jeffrey Snyder**,
Dallastown, PA (US)

(73) Assignee: **Graham Packaging Company, L.P.**,
York, PA (US)

(**) Term: **14 Years**

(21) Appl. No.: **29/385,336**

(22) Filed: **Feb. 11, 2011**

(51) **LOC (9) Cl.** **09-03**

(52) **U.S. Cl.** **D9/424**

(58) **Field of Classification Search** D9/424,
D9/414, 416, 417, 419, 420, 423, 425, 427,
D9/428, 429, 431, 529, 542, 543, 556, 734;
D7/538-548, 601, 602, 629; D24/224; 220/200,
220/253, 253.3, 259.1, 259.2, 281, 284, 600,
220/656, 659, 689, 831; 229/406, 800; 206/203,
206/233, 581

See application file for complete search history.

(56) **References Cited**

U.S. PATENT DOCUMENTS

4,157,762	A *	6/1979	Robinson	220/669
5,242,074	A *	9/1993	Conaway et al.	220/840
D407,974	S *	4/1999	Zimmer et al.	D9/428
5,975,346	A *	11/1999	Imperato et al.	220/831
D449,521	S *	10/2001	Pinkus et al.	D9/424
D465,153	S *	11/2002	Meecker et al.	D9/424
D469,320	S *	1/2003	Pettaweebuncha	D7/629
D473,140	S *	4/2003	Gilliam et al.	D9/428
6,669,049	B2	12/2003	Crider		
D484,797	S *	1/2004	Kipperman et al.	D9/424

6,761,279	B1 *	7/2004	Martin et al.	220/258.2
6,761,283	B1 *	7/2004	Gilliam et al.	220/837
D504,318	S *	4/2005	Lane et al.	D9/529
7,080,754	B2	7/2006	Lown		
D543,860	S *	6/2007	Pacente et al.	D9/543
D544,790	S *	6/2007	Bouveret et al.	D9/428
D552,468	S *	10/2007	Seum et al.	D9/420
D560,491	S *	1/2008	Munford et al.	D9/424
D571,226	S *	6/2008	Bartolucci et al.	D9/734
D582,783	S *	12/2008	Little et al.	D9/556
D587,567	S *	3/2009	Peysen et al.	D9/424

* cited by examiner

Primary Examiner — Prabhakar Deshmukh

Assistant Examiner — Derrick Holland

(74) *Attorney, Agent, or Firm* — Knoble Yoshida &
Dunleavy, LLC

(57) **CLAIM**

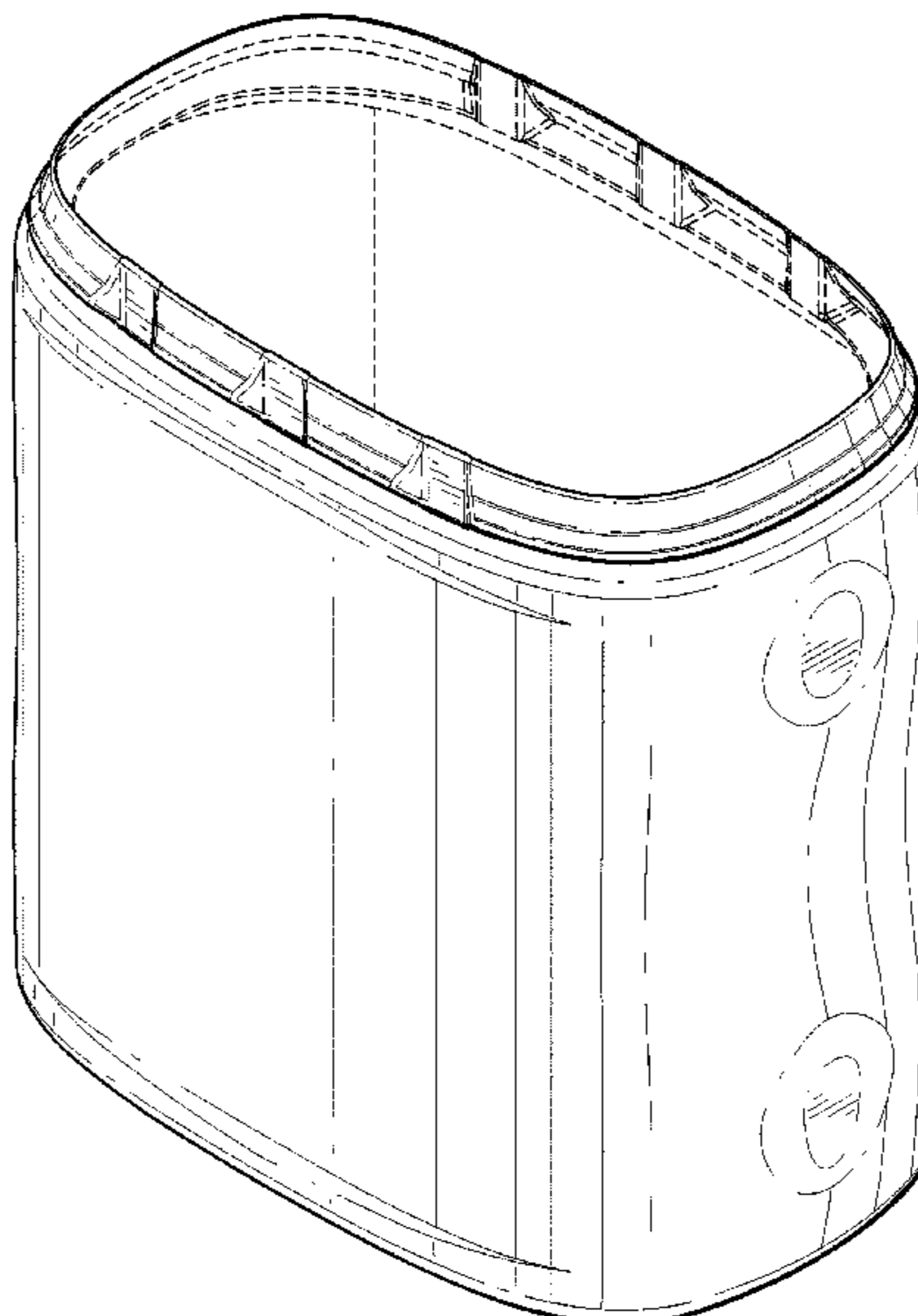
The ornamental design for a plastic container, as shown and described.

DESCRIPTION

FIG. 1 is a perspective view of a plastic container showing our new design;
FIG. 2 is a second perspective view;
FIG. 3 is a front elevational view;
FIG. 4 is a rear elevational view;
FIG. 5 is a first side elevational view;
FIG. 6 is second side elevational view;
FIG. 7 is a top plan view; and,
FIG. 8 is a bottom plan view.

The portions of the plastic container shown in broken lines is for the purpose of showing environmental structure only and forms no part of the claim. Where broken lines abut a claimed surface it is understood that those broken lines represent an unclaimed boundary between claimed and unclaimed surfaces. None of the broken lines form any part of the claimed design.

1 Claim, 6 Drawing Sheets



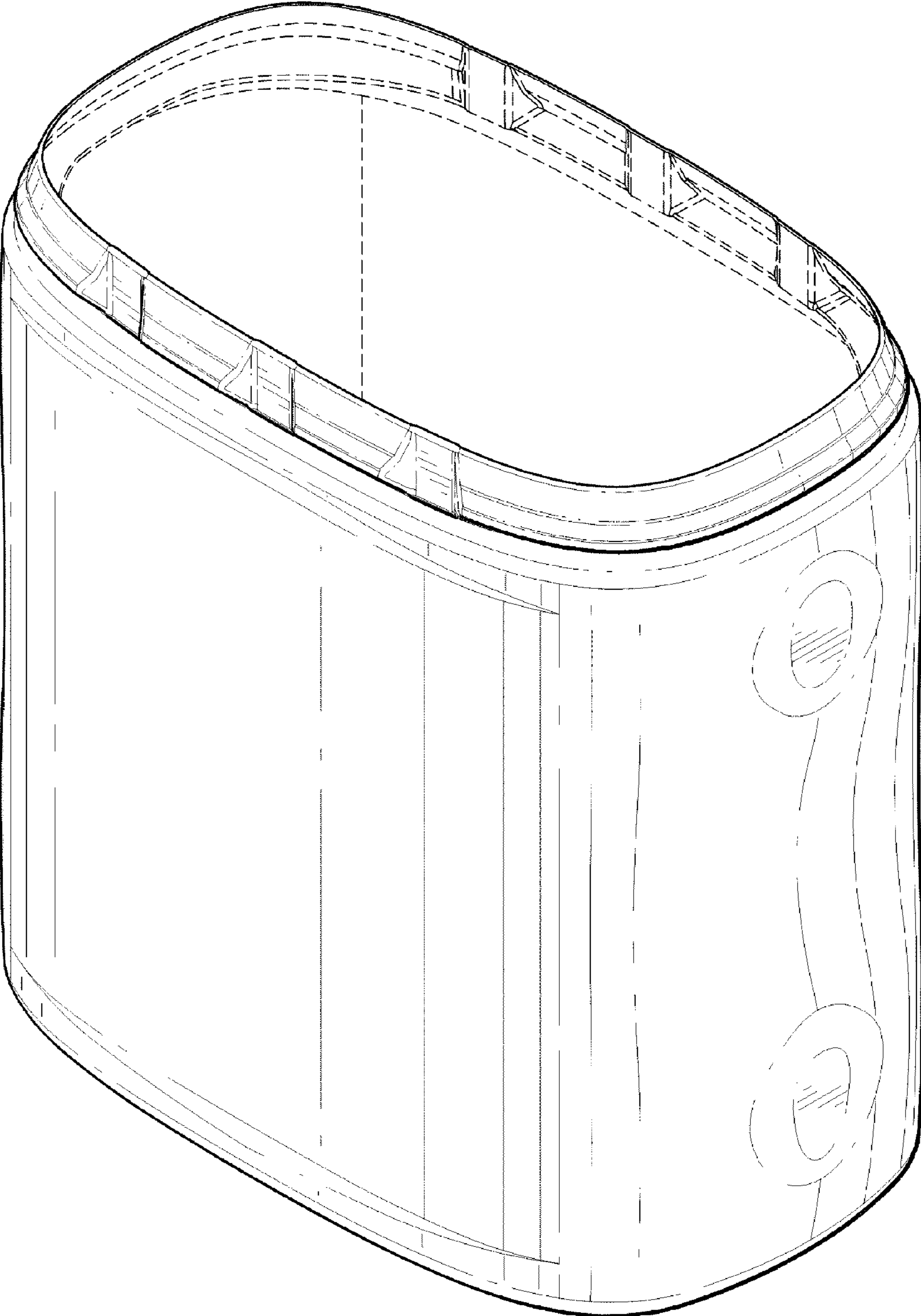


FIG. 1

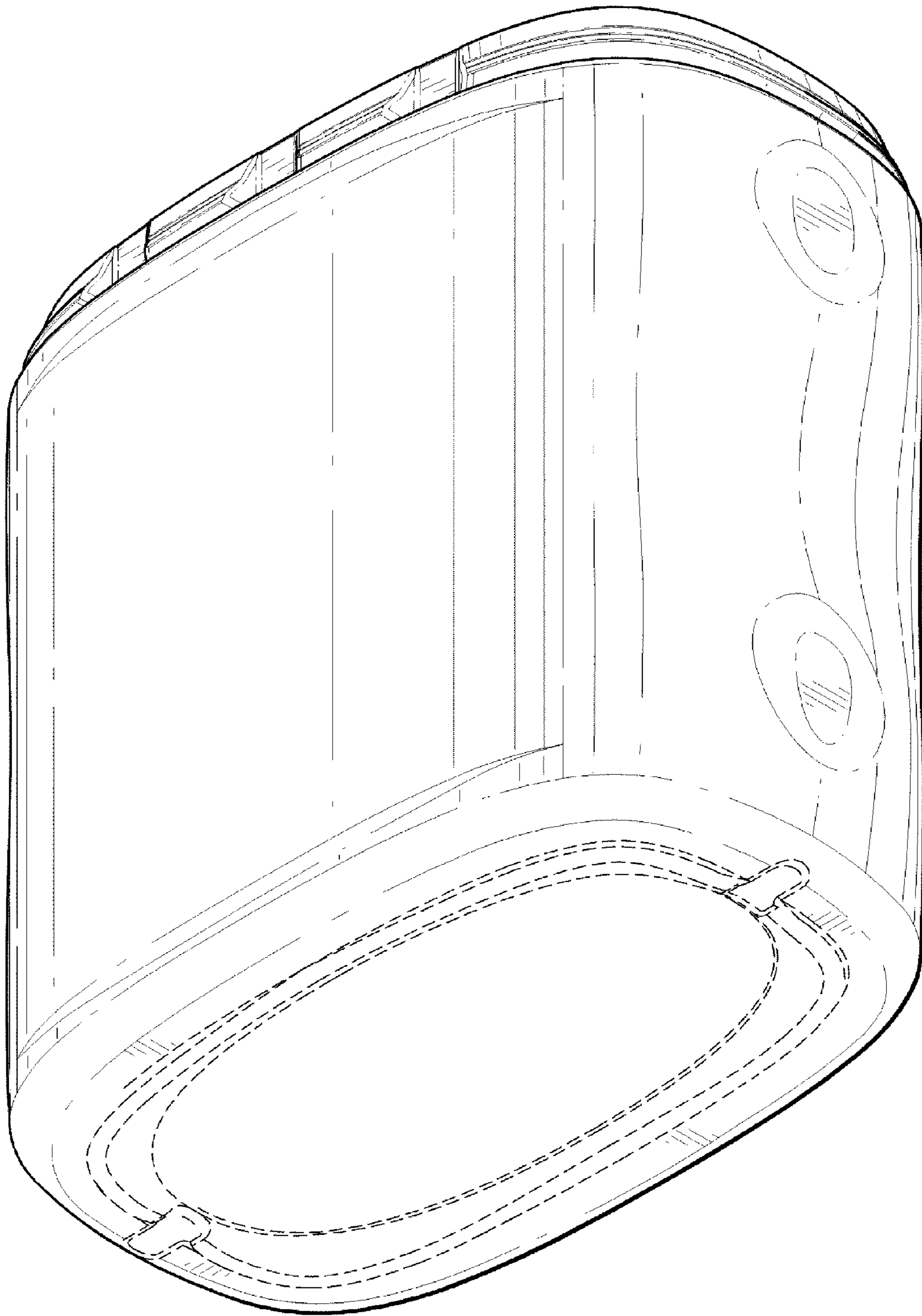


FIG. 2

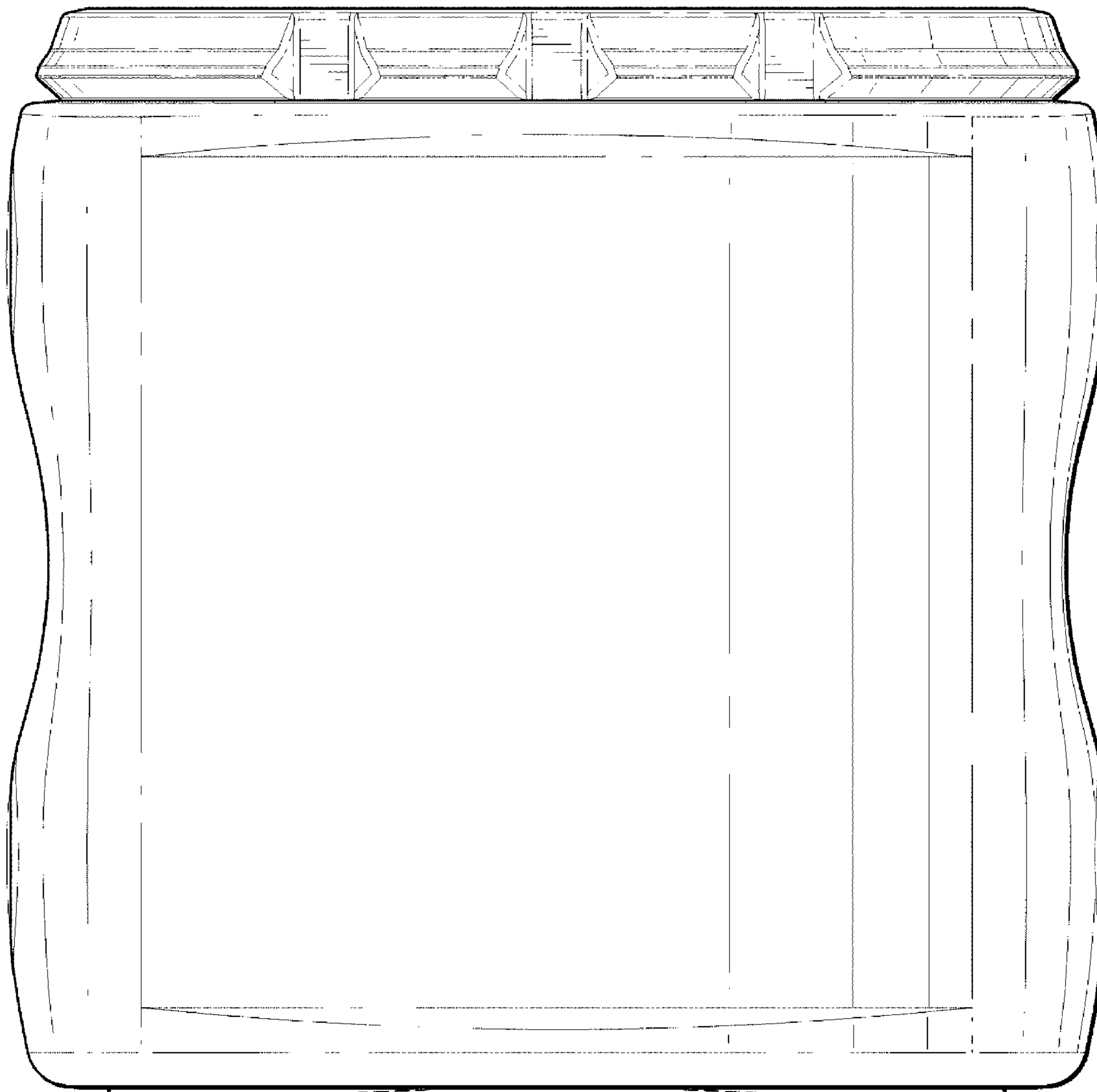


FIG. 3

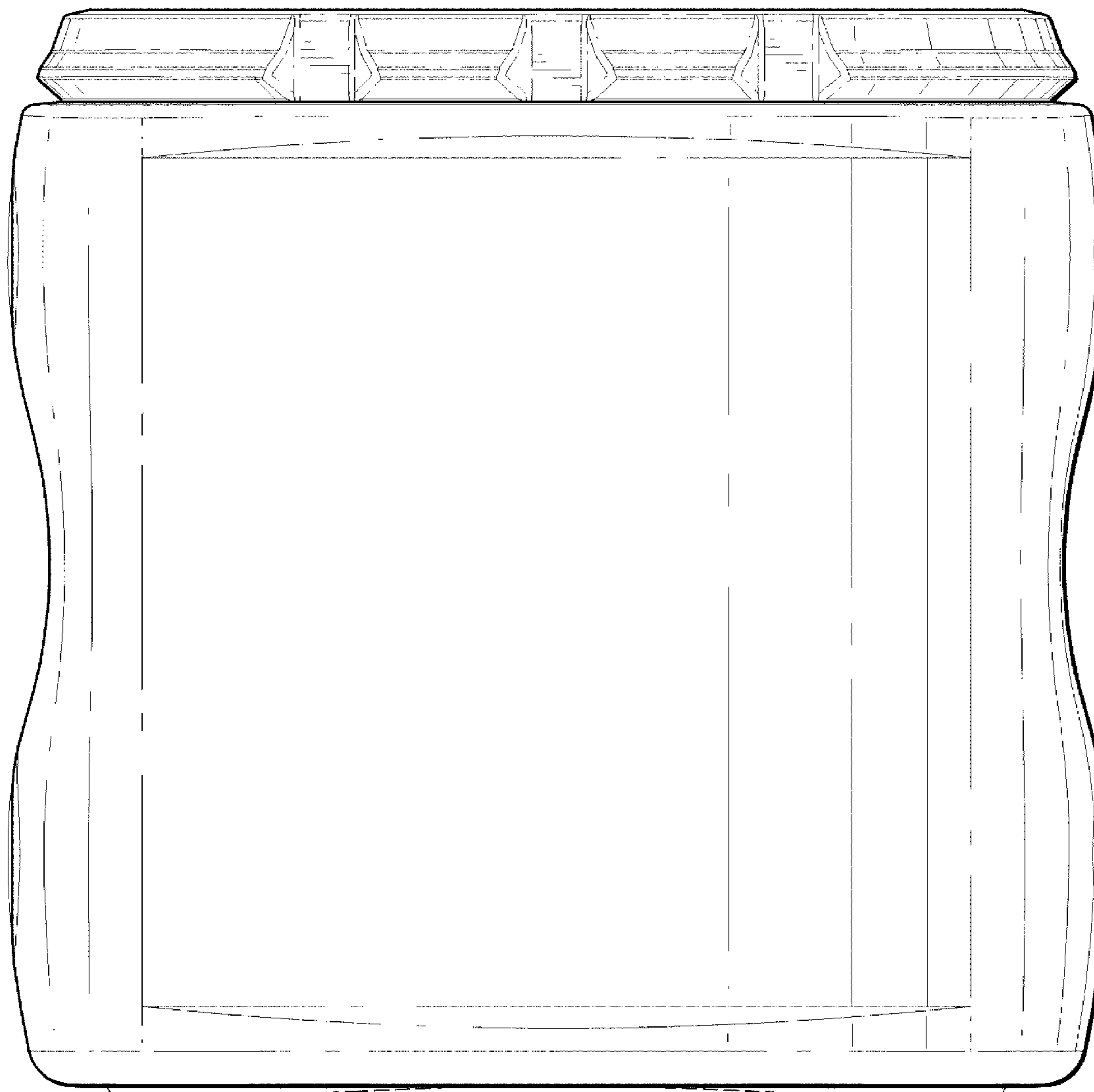


FIG. 4

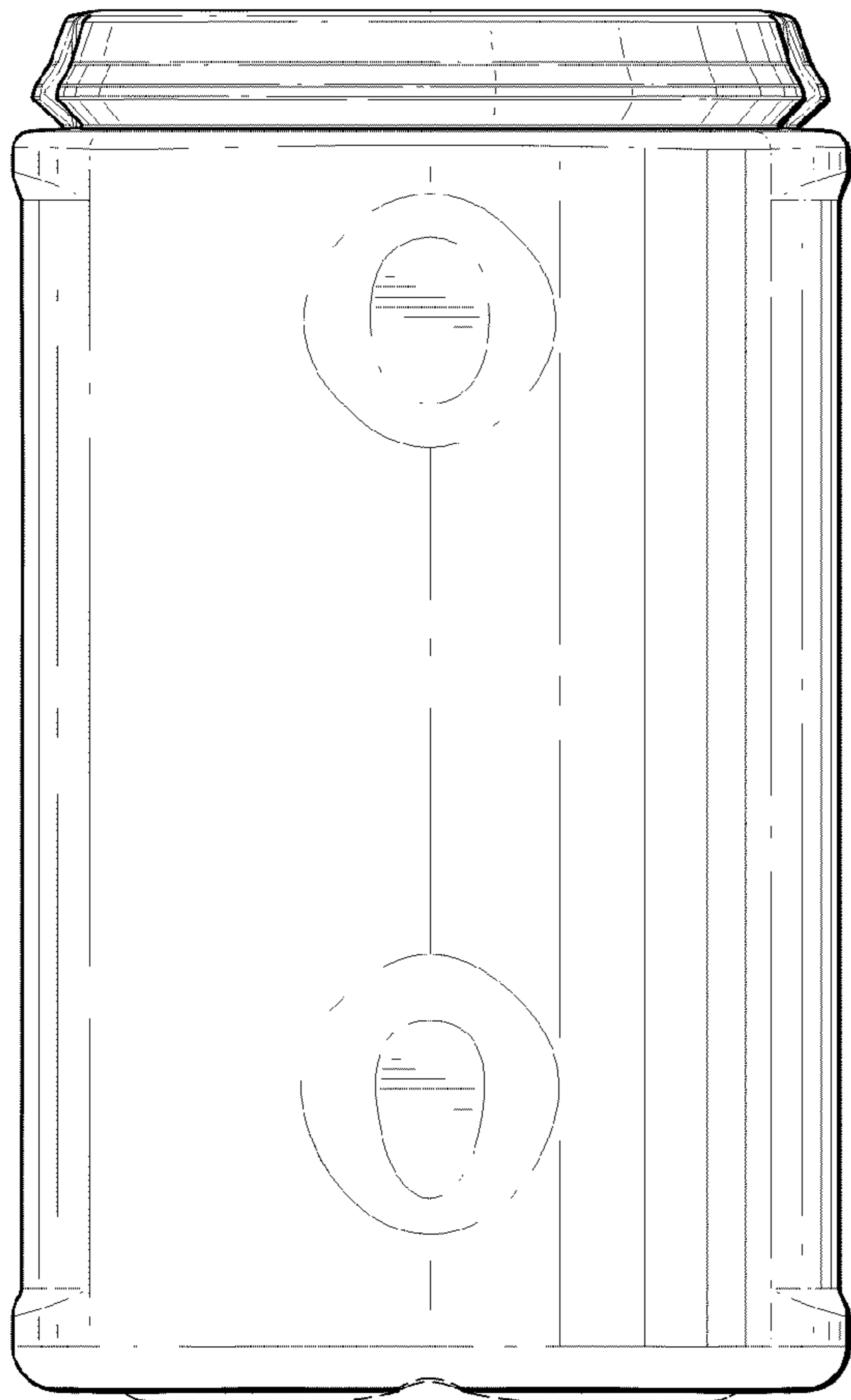


FIG. 5

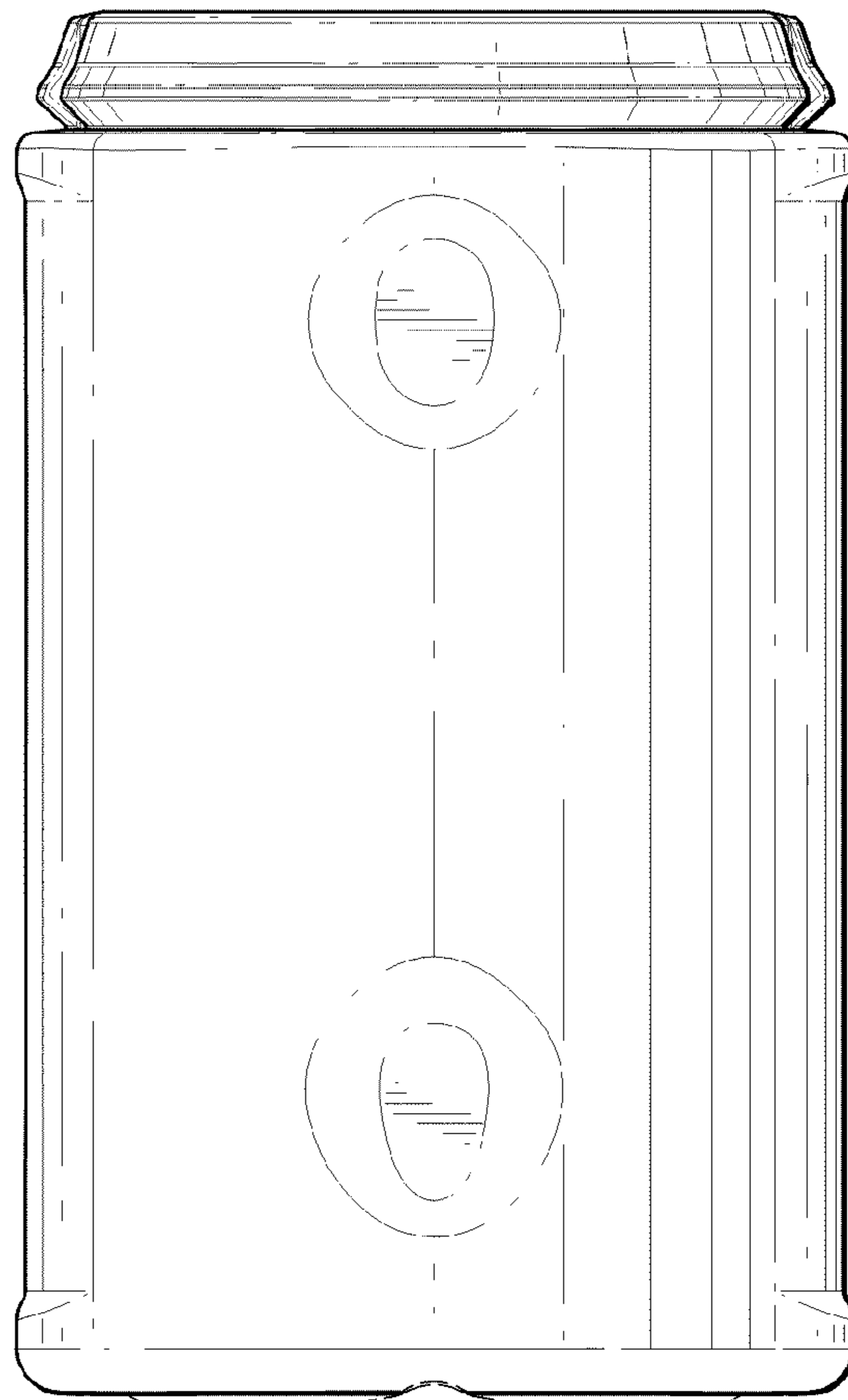


FIG. 6

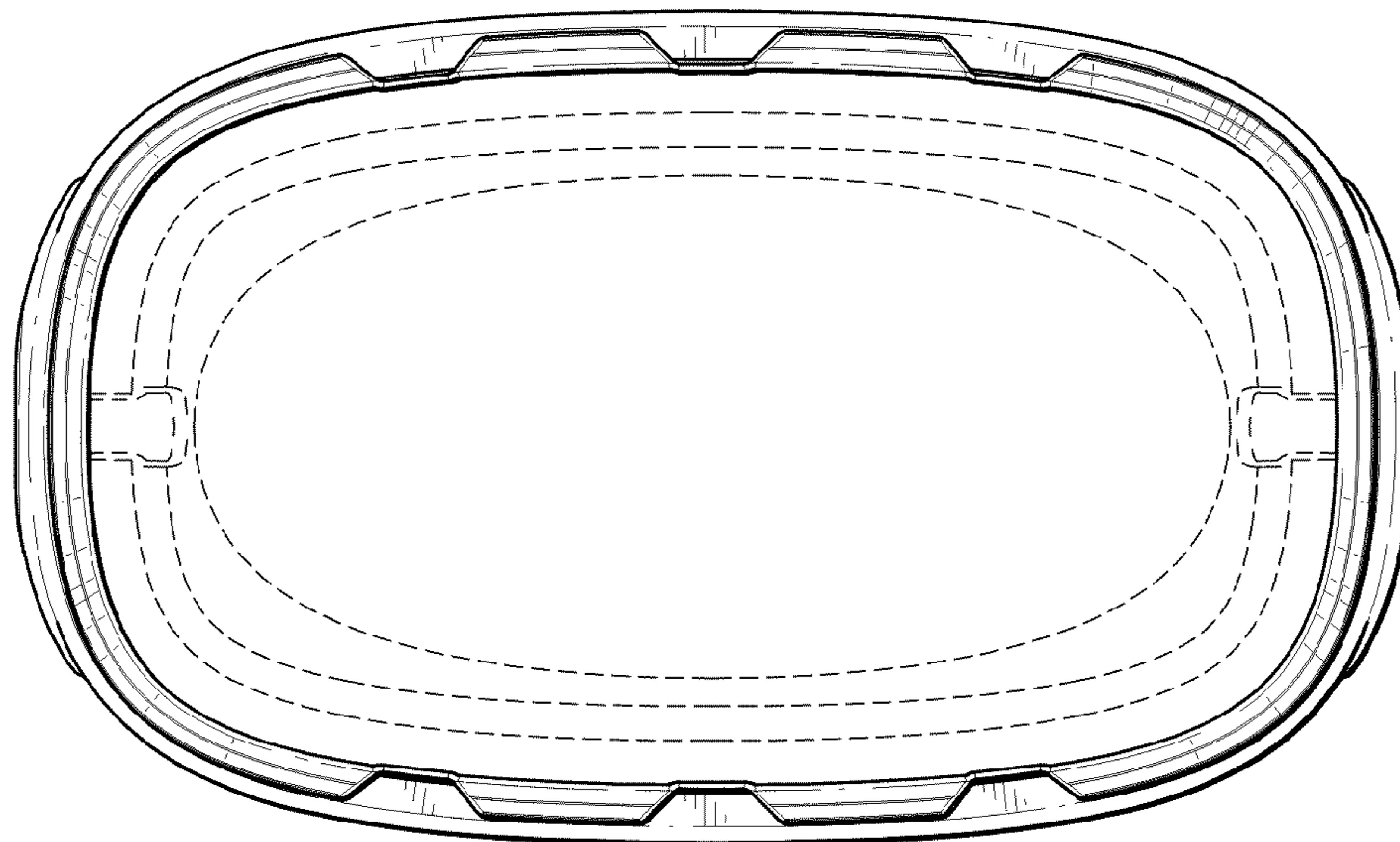


FIG. 7

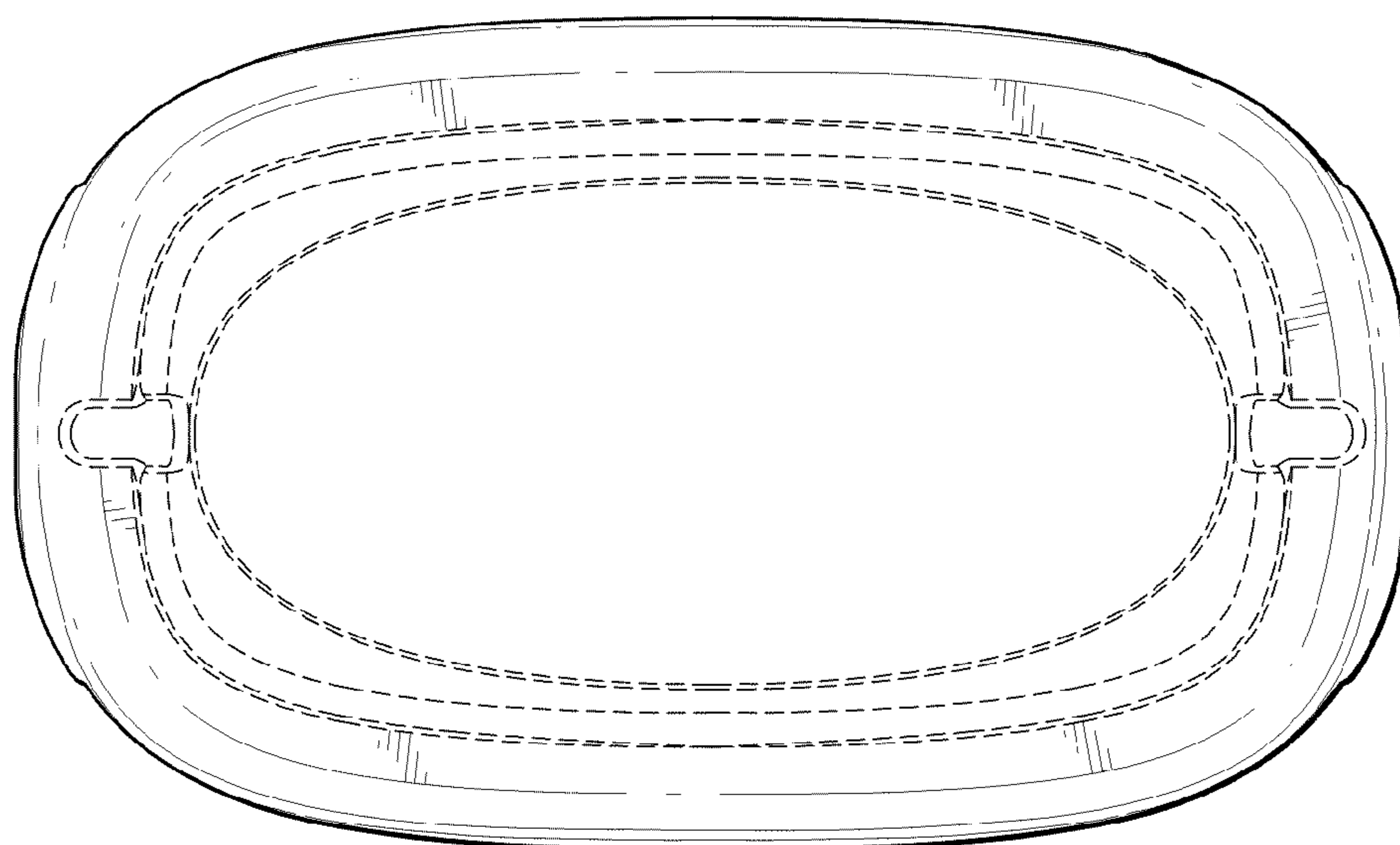


FIG. 8