

US00D646963S

(12) **United States Design Patent**
Kalil et al.

(10) **Patent No.:** **US D646,963 S**

(45) **Date of Patent:** **** Oct. 18, 2011**

(54) **FOOD CONTAINER**

(75) Inventors: **Scott B. Kalil**, Jacksonville, FL (US);
Sam Kalil, Jacksonville, FL (US); **Roger**
L. Denmark, Jr., Jacksonville, FL (US)

(73) Assignee: **Beaver Street Fisheries, Inc.**,
Jacksonville, FL (US)

(**) Term: **14 Years**

(21) Appl. No.: **29/386,784**

(22) Filed: **Mar. 4, 2011**

(51) **LOC (9) Cl.** **09-03**

(52) **U.S. Cl.** **D9/415; D9/421; D9/759**

(58) **Field of Classification Search** D9/414,
D9/415, 418, 420, 422, 423, 424, 425, 759,
D9/737, 761, 756; D7/602, 538, 629; D3/294;
229/406, 904; 206/495, 776, 806, 459.5,
206/44 R, 45.31, 45.34, 461, 469, 471; 220/287,
220/835, 839, 23.83, 500, 556, 557, 662,
220/669, 675, 23.2, 23.8, 376, 377, 380,
220/521, 657

See application file for complete search history.

(56) **References Cited**

U.S. PATENT DOCUMENTS

D320,158 S * 9/1991 Contino D9/415
5,129,516 A * 7/1992 Theros 206/463
D386,078 S * 11/1997 Harper et al. D9/415
D408,151 S * 4/1999 Drees et al. D4/199

D420,578 S * 2/2000 Plumer D9/415
D466,803 S * 12/2002 Yang D9/415
D469,686 S * 2/2003 Yang D9/415
D471,099 S * 3/2003 Yang D9/415
D472,140 S * 3/2003 Yang D9/415
D497,547 S * 10/2004 Kumakura et al. D9/415
D506,925 S * 7/2005 Plumer D9/415
D578,873 S * 10/2008 Plumer D9/415
D605,516 S * 12/2009 Yang D9/455

* cited by examiner

Primary Examiner — Mark Goodwin

(74) *Attorney, Agent, or Firm* — Sughrue Mion, PLLC

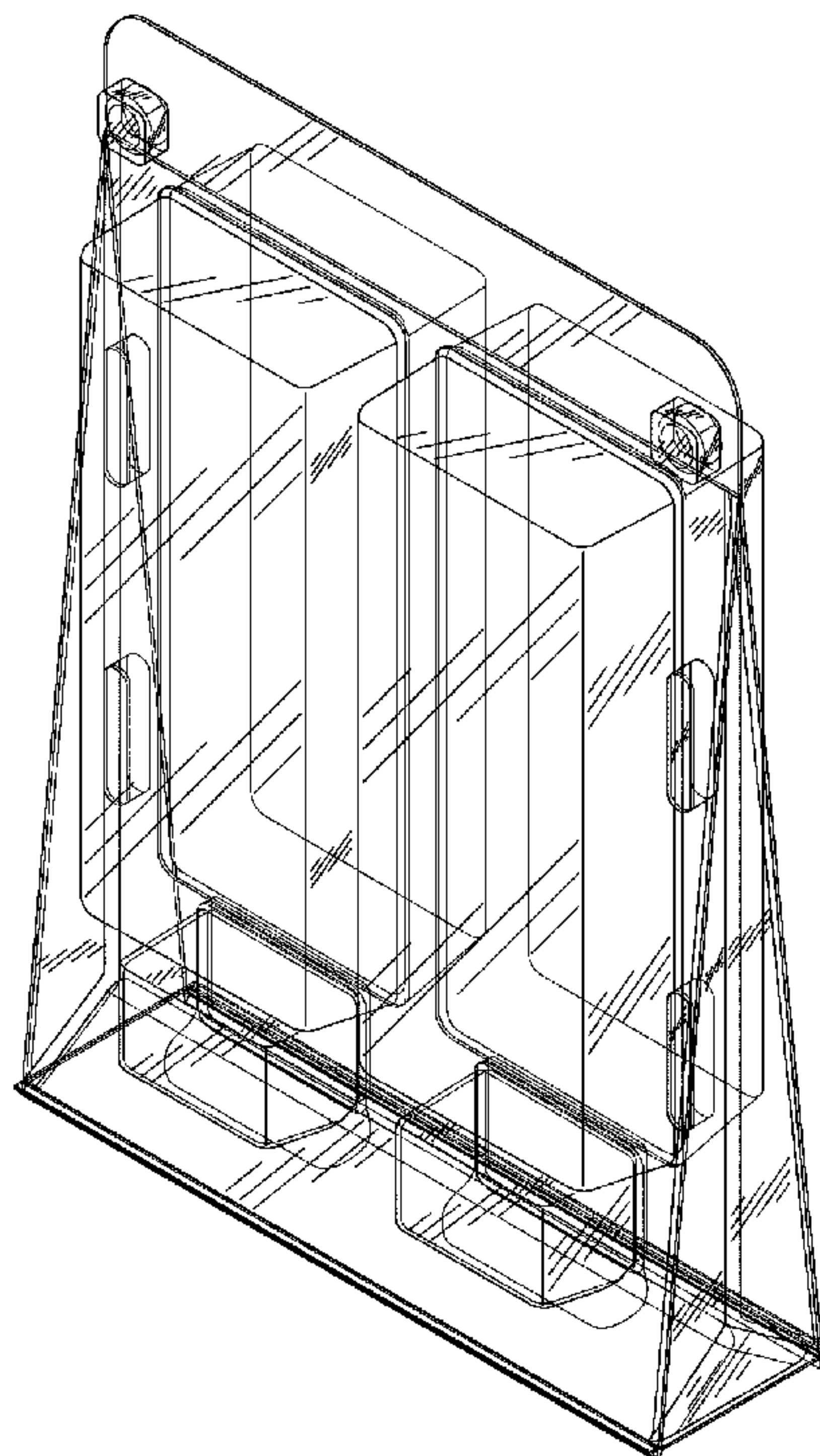
(57) **CLAIM**

The ornamental design for a food container, as shown and described.

DESCRIPTION

FIG. 1 is a perspective view of the food container in a closed position showing our new design;
FIG. 2 is a top view of the food container in an open position;
FIG. 3 is a bottom view of the food container in an open position;
FIG. 4 is a right side view of the food container in an open position;
FIG. 5 is a left side view of the food container in an open position;
FIG. 6 is a front view of the food container in an open position; and,
FIG. 7 is a back view of the food container in an open position.

1 Claim, 5 Drawing Sheets



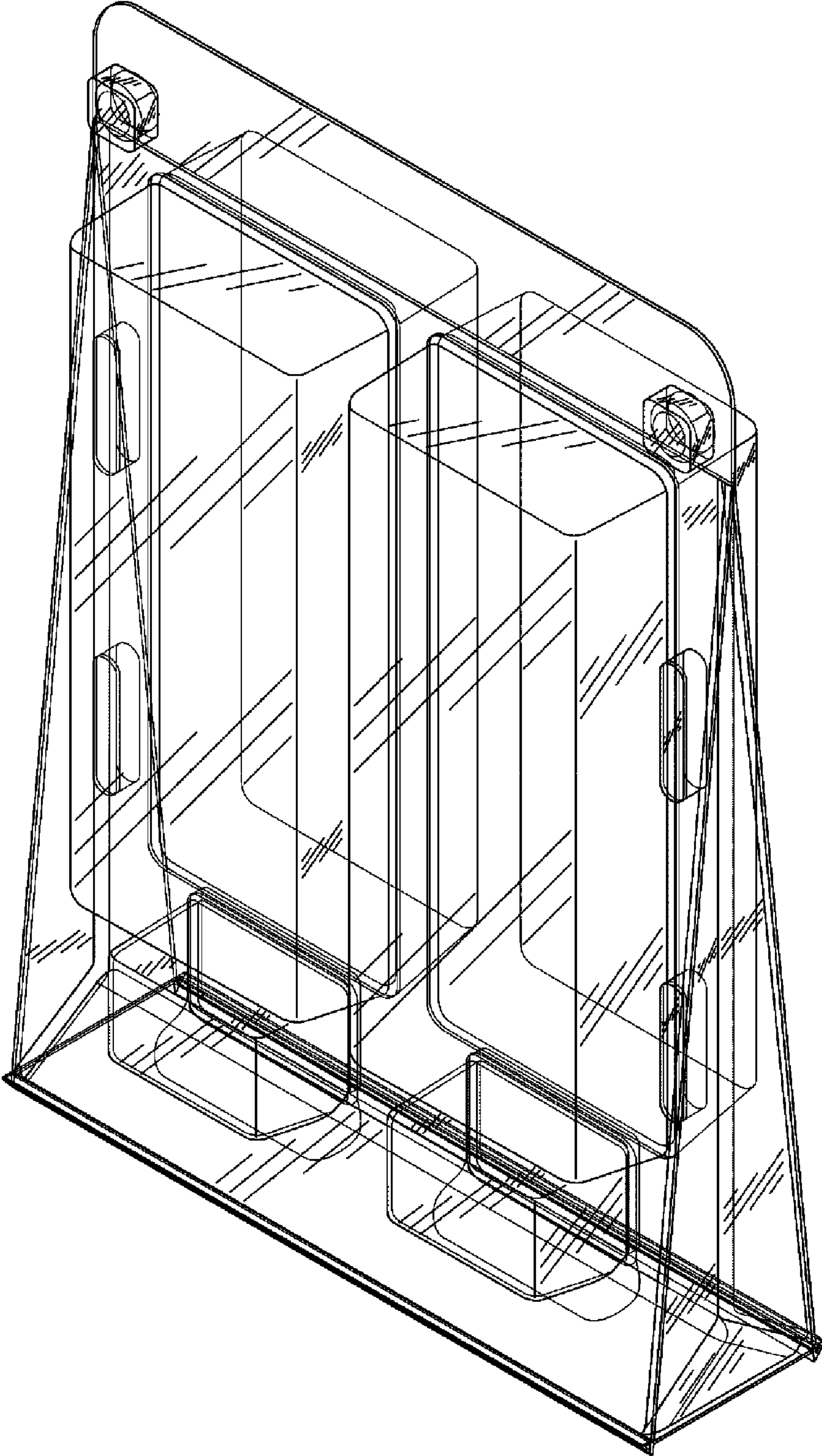


FIG. 1

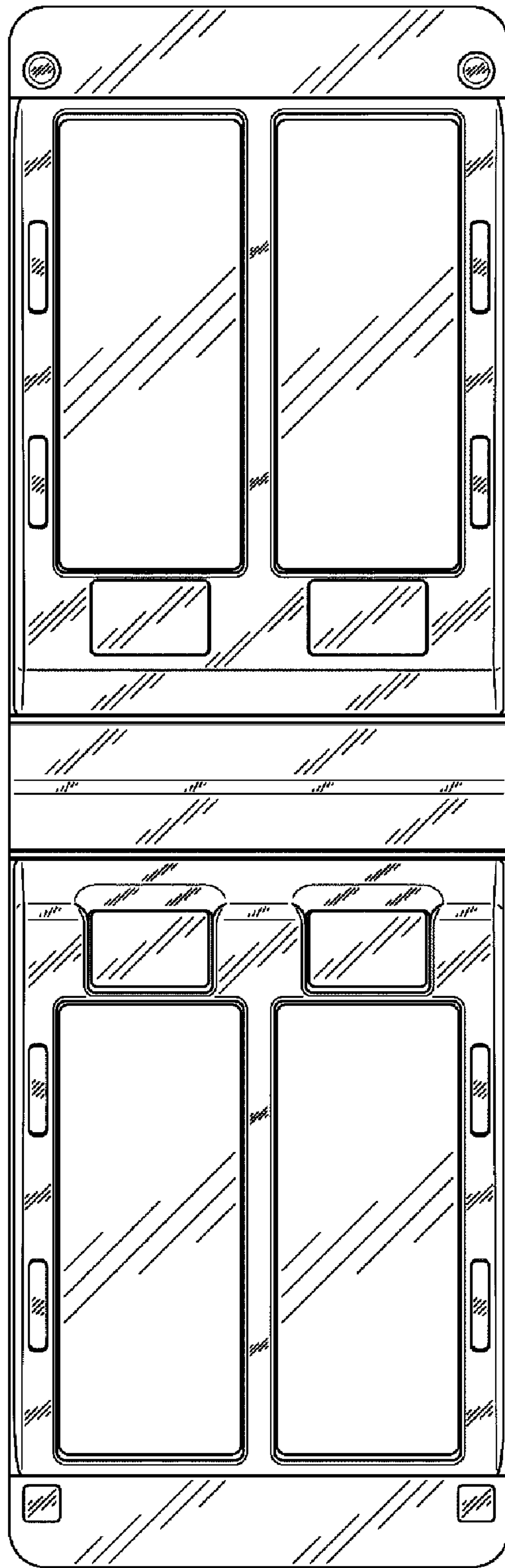


FIG. 2

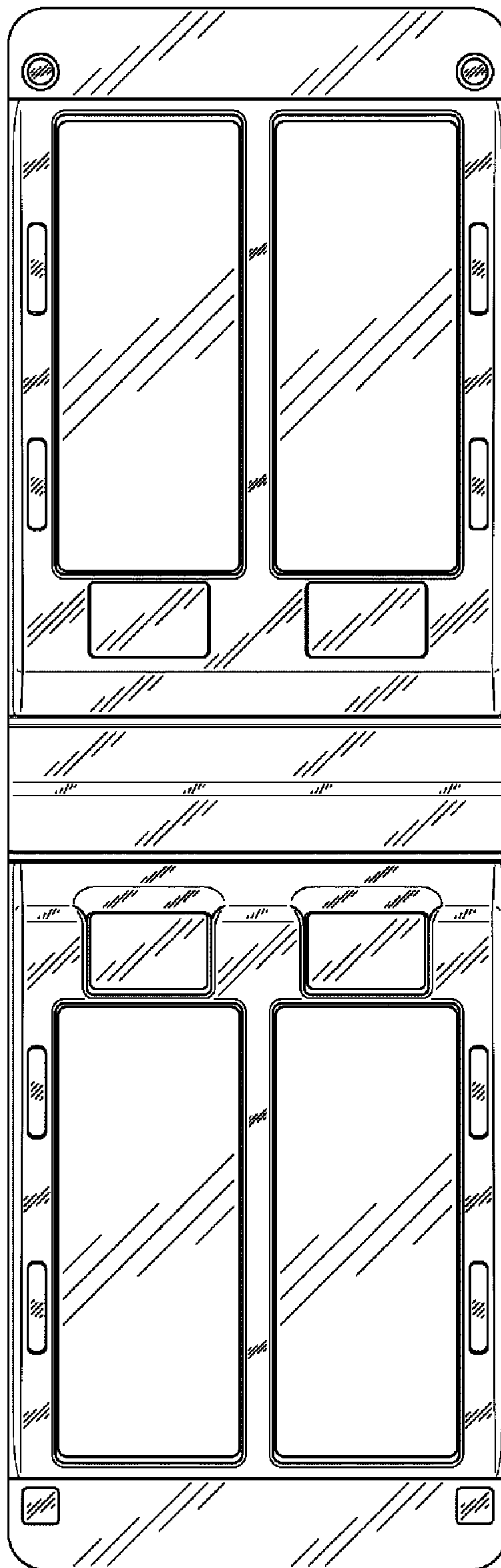


FIG. 3

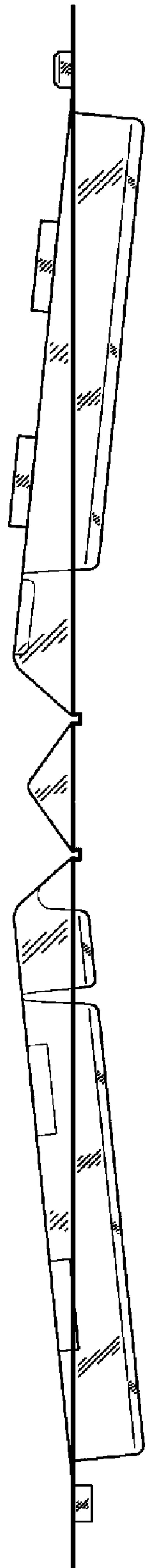


FIG. 4

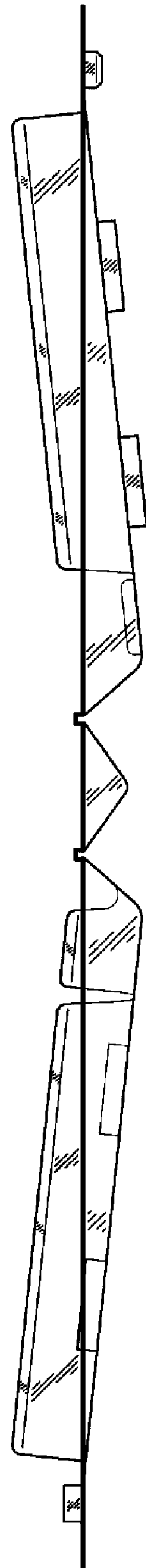


FIG. 5

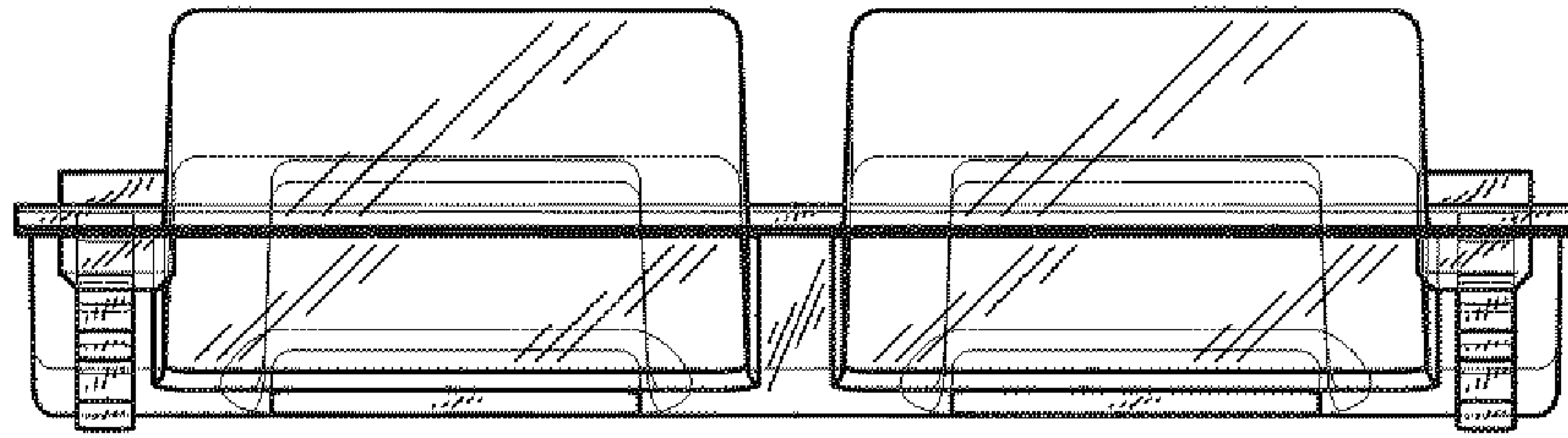


FIG. 6

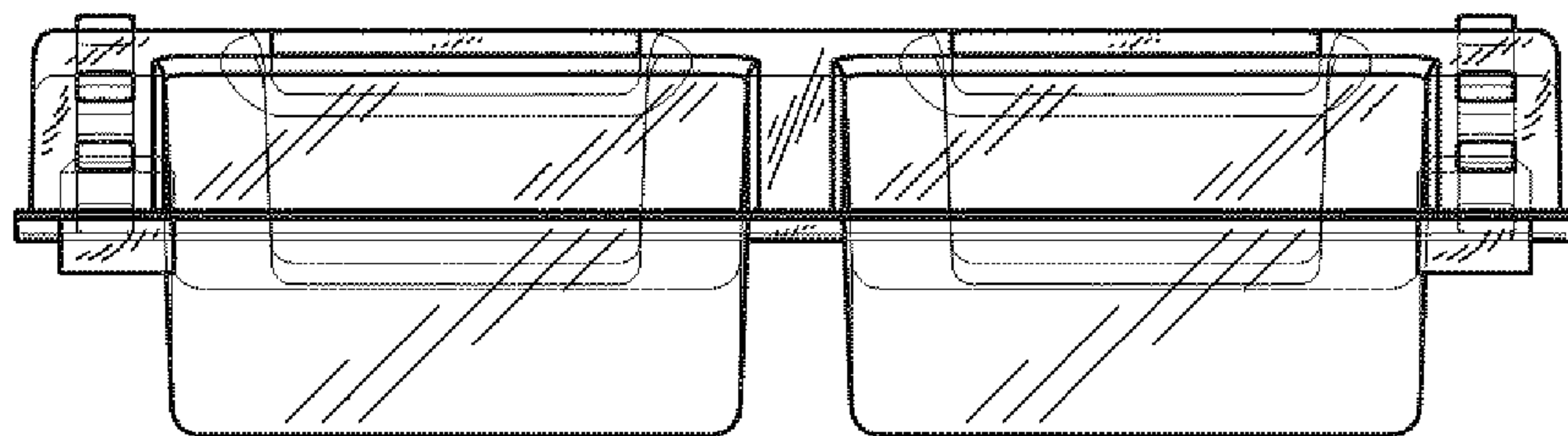


FIG. 7