



US00D646962S

(12) **United States Design Patent**
Knorr et al.

(10) **Patent No.:** **US D646,962 S**

(45) **Date of Patent:** **** Oct. 18, 2011**

(54) **CLIP FOR A DISPENSING DEVICE**

(75) Inventors: **Stella Louise Knorr**, Brighton (AU);
Sasha Miu, Brunswick (AU); **Adrian**
Charles Ian Scott-Murphy, Surrey Hills
(AU); **Saravanabhavan Selvalingam**,
Highton (AU)

(73) Assignee: **Reckitt Benckiser Inc.**, Parsippany, NJ
(US)

(**) Term: **14 Years**

(21) Appl. No.: **29/379,008**

(22) Filed: **Nov. 12, 2010**

(30) **Foreign Application Priority Data**

May 27, 2010 (EM) 001712514-0001

(51) **LOC (9) Cl.** **08-07**

(52) **U.S. Cl.** **D8/398; D8/349**

(58) **Field of Classification Search** D8/398,
D8/394, 382, 349, 499, 395, 402; D32/2;
D20/8, 99, 5; D7/387, 401.1, 213; 24/297,
24/453; 211/15; 411/396, 401

See application file for complete search history.

(56) **References Cited**

U.S. PATENT DOCUMENTS

3,828,497	A	*	8/1974	Vinycomb	52/155
D361,712	S	*	8/1995	Sauber	D8/356
D365,019	S	*	12/1995	Rich	D8/402
D528,904	S	*	9/2006	Reding	D8/395
D572,129	S	*	7/2008	Keays	D8/395
D590,697	S	*	4/2009	Townley	D8/354
D595,114	S	*	6/2009	Hamilton et al.	D8/349
D605,031	S	*	12/2009	Schmittgens et al.	D8/394
D638,882	S	*	5/2011	Smith et al.	D20/8

* cited by examiner

Primary Examiner — Cynthia Underwood

(74) *Attorney, Agent, or Firm* — Norris McLaughlin & Marcus PA

(57) **CLAIM**

The ornamental design for a clip for a dispensing device, as shown and described.

DESCRIPTION

FIG. 1 is a perspective view of the rear and a side of the clip for a dispensing device;

FIG. 2 is an view of the rear of the clip for a dispensing device;

FIG. 3 is a view of the front of the clip for a dispensing device;

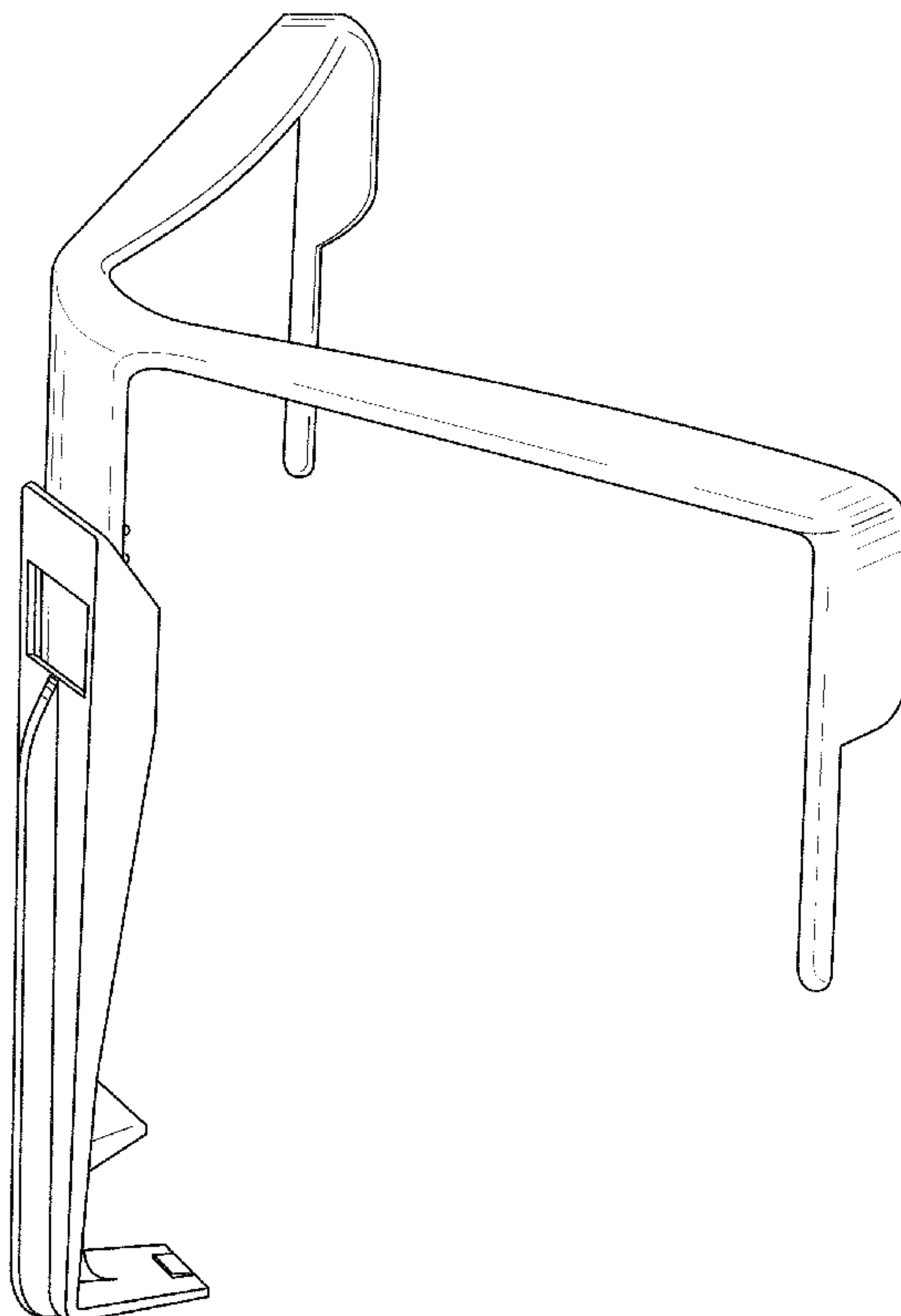
FIG. 4 is a view of a side of the clip for a dispensing device;

FIG. 5 is a view of the opposite side of the clip for a dispensing device;

FIG. 6 is a top plan view of the clip for a dispensing device; and,

FIG. 7 is a bottom plan view of the clip for a dispensing device.

1 Claim, 6 Drawing Sheets



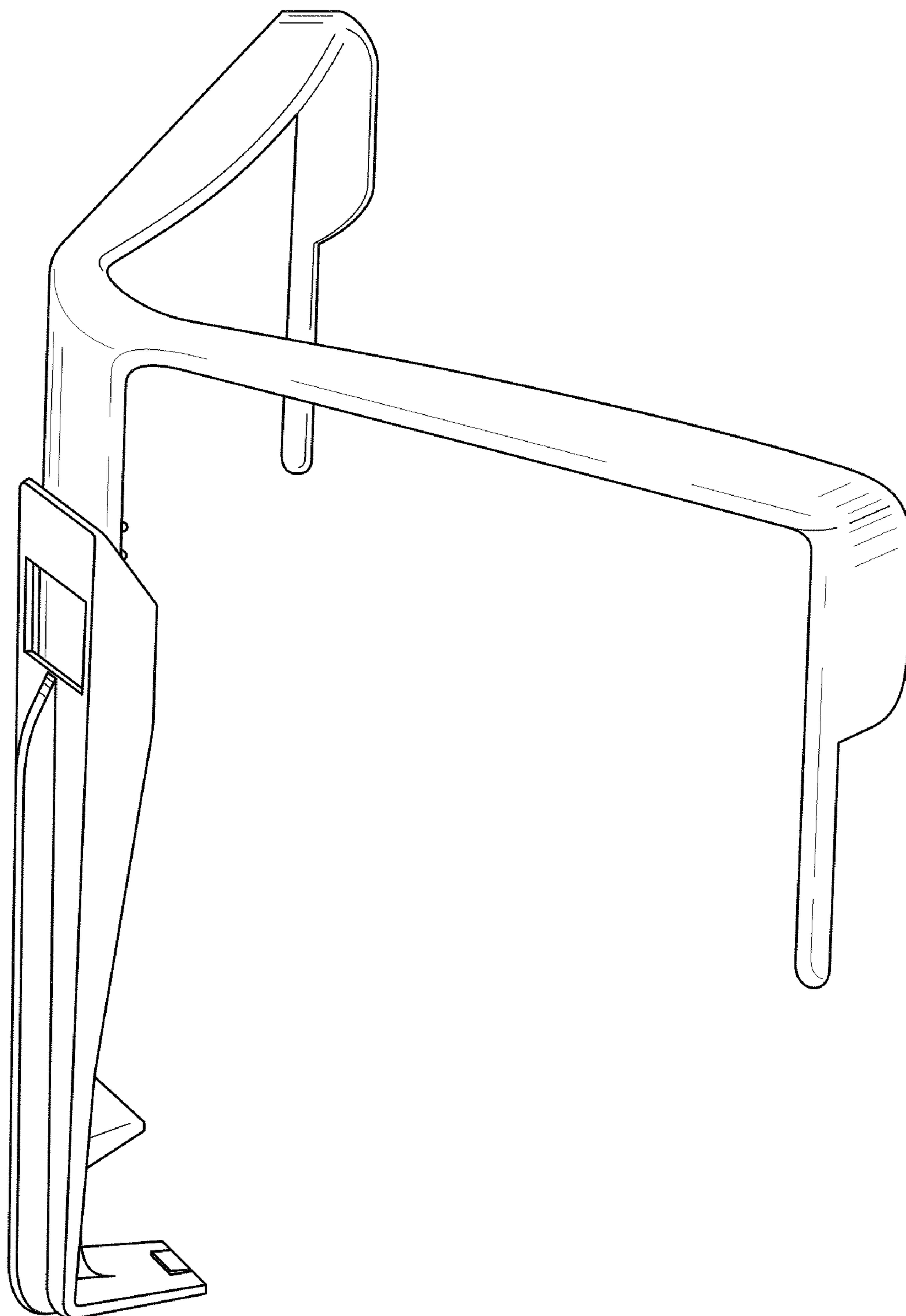


FIG. 1

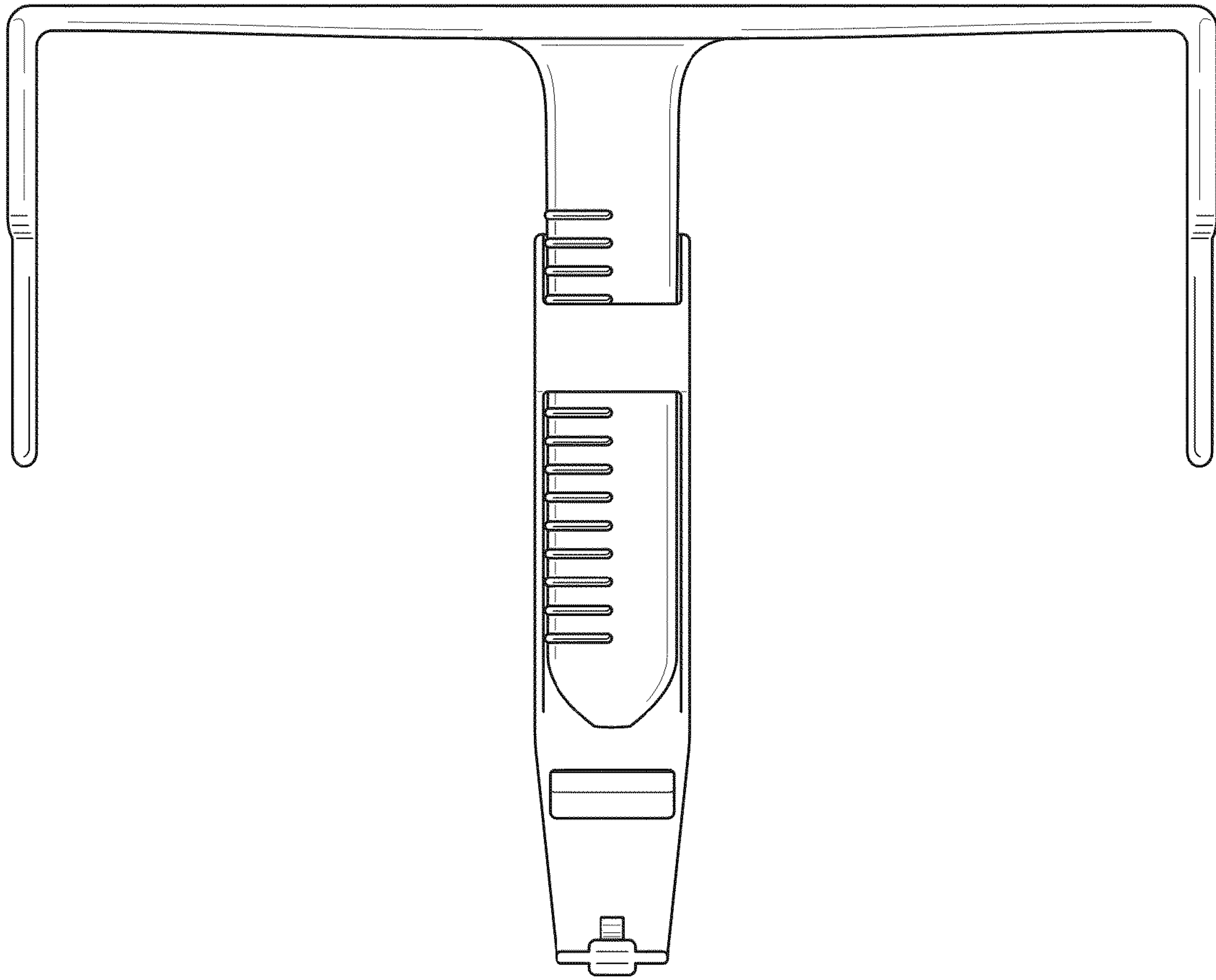


FIG. 2

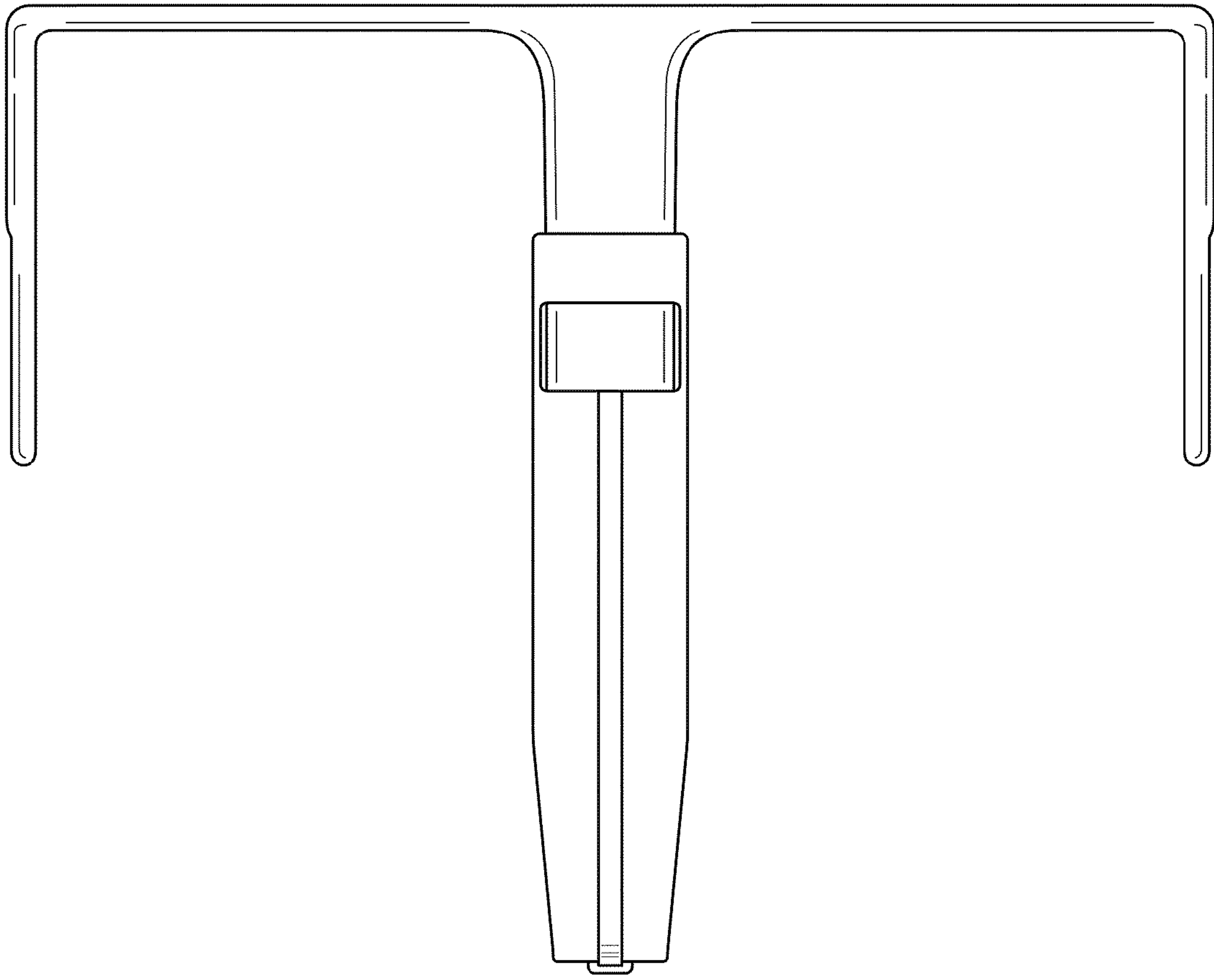


FIG. 3

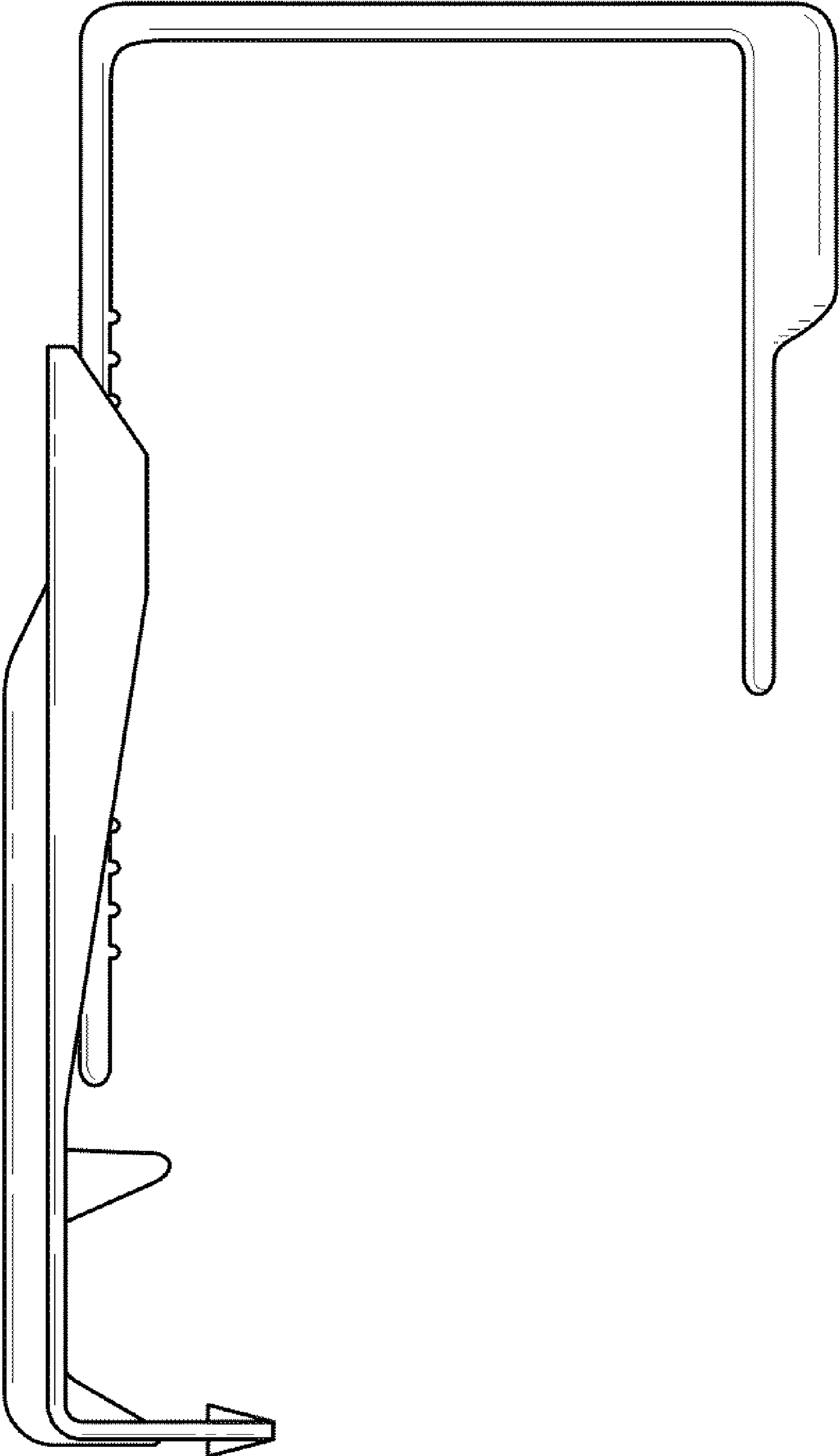


FIG. 4

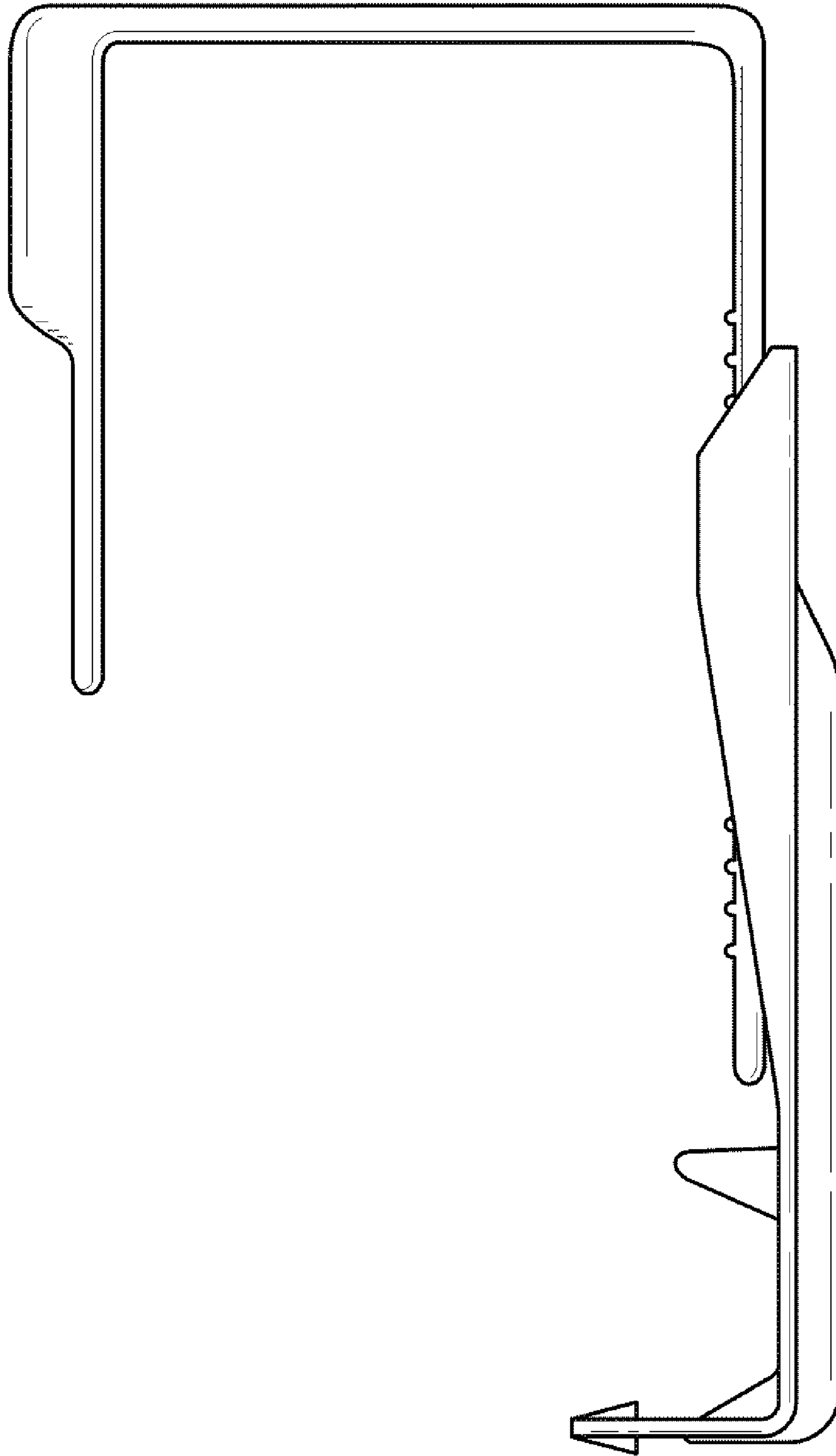


FIG. 5

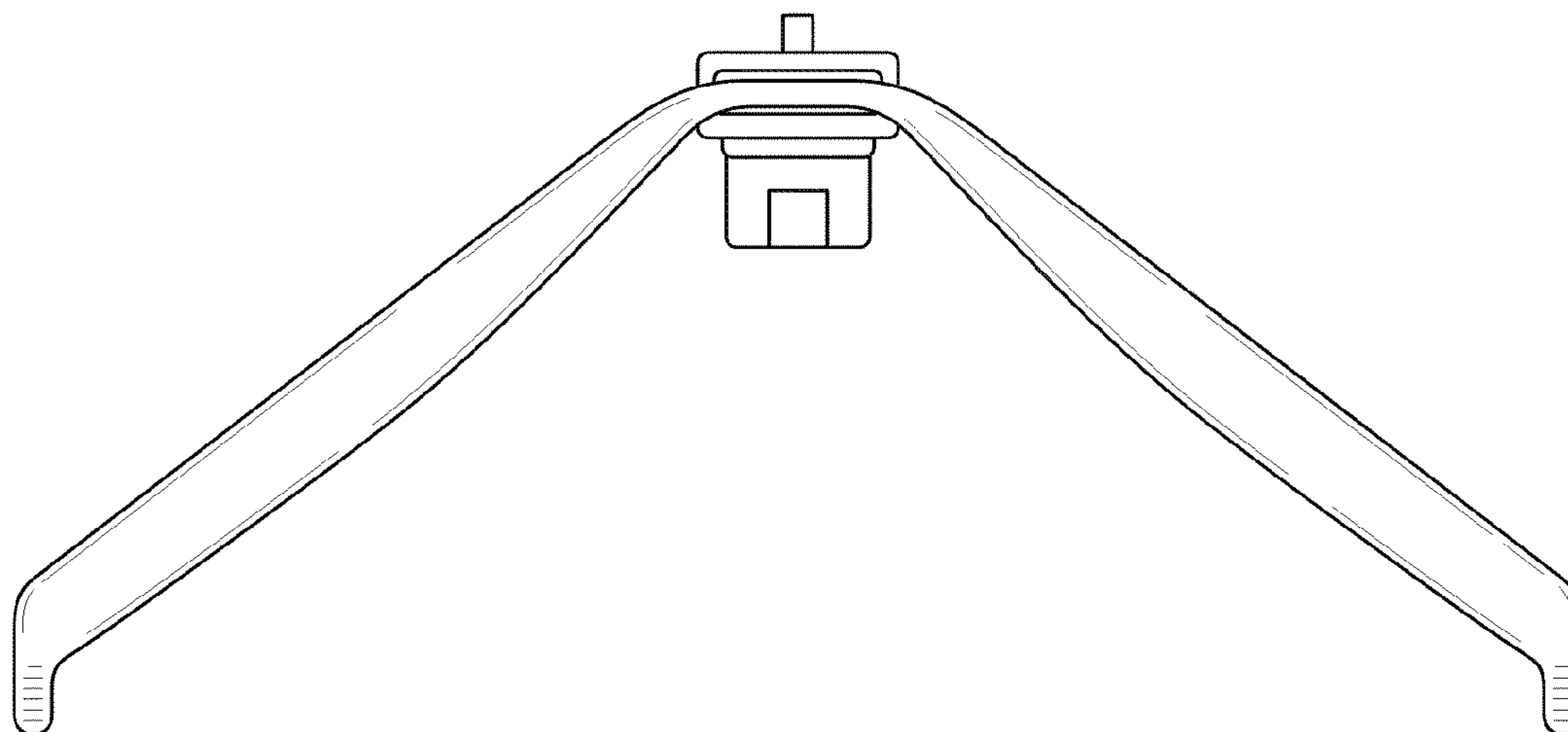


FIG. 6

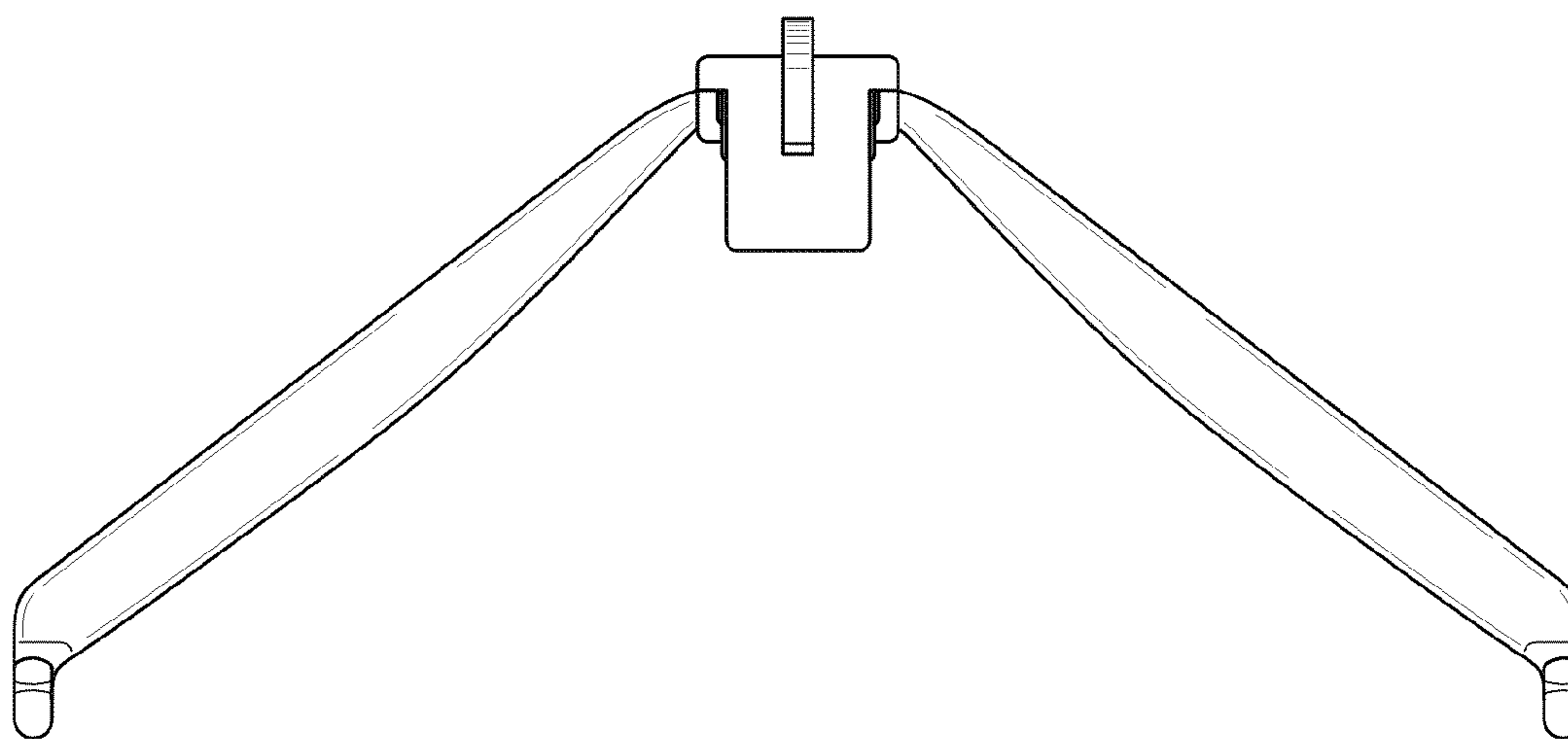


FIG. 7