



US00D646961S

(12) **United States Design Patent**
Hampton et al.

(10) **Patent No.:** **US D646,961 S**

(45) **Date of Patent:** **** *Oct. 18, 2011**

(54) **COMBINED TANK HOLDER AND
TOOL-LESS CLAMP**

(75) Inventors: **Linda M. Hampton**, Bristol, WI (US);
Ishwor P. Adhikari, Mundelein, IL (US)

(73) Assignee: **Medline Industries, Inc.**, Mundelein, IL
(US)

(*) Notice: This patent is subject to a terminal dis-
claimer.

(**) Term: **14 Years**

(21) Appl. No.: **29/351,750**

(22) Filed: **Dec. 10, 2009**

(51) **LOC (9) Cl.** **08-05**

(52) **U.S. Cl.** **D8/373; D8/370**

(58) **Field of Classification Search** D8/373,
D8/363, 370; D24/128; 248/318, 340, 227.3;
211/86.01

See application file for complete search history.

(56) **References Cited**

U.S. PATENT DOCUMENTS

2,294,151	A	*	8/1942	Wooten, Jr. et al.	248/217.1
D262,678	S	*	1/1982	DeBoer	D6/566
D311,327	S	*	10/1990	Hughes	D8/370
D332,911	S	*	2/1993	Barbour et al.	D8/373
D353,242	S	*	12/1994	McCoy et al.	D32/54
D433,958	S	*	11/2000	Rosenberg	D6/513
D468,014	S	*	12/2002	Girod	D24/128

* cited by examiner

Primary Examiner — Holly Baynham

(74) *Attorney, Agent, or Firm* — David S. Noskowitz

(57) **CLAIM**

The ornamental design for a combined tank holder and tool-less clamp, as shown and described.

DESCRIPTION

FIG. 1 is a first perspective view of an ornamental design for a combined tank holder and tool-less clamp.

FIG. 2 is a front view thereof.

FIG. 3 is a rear view thereof.

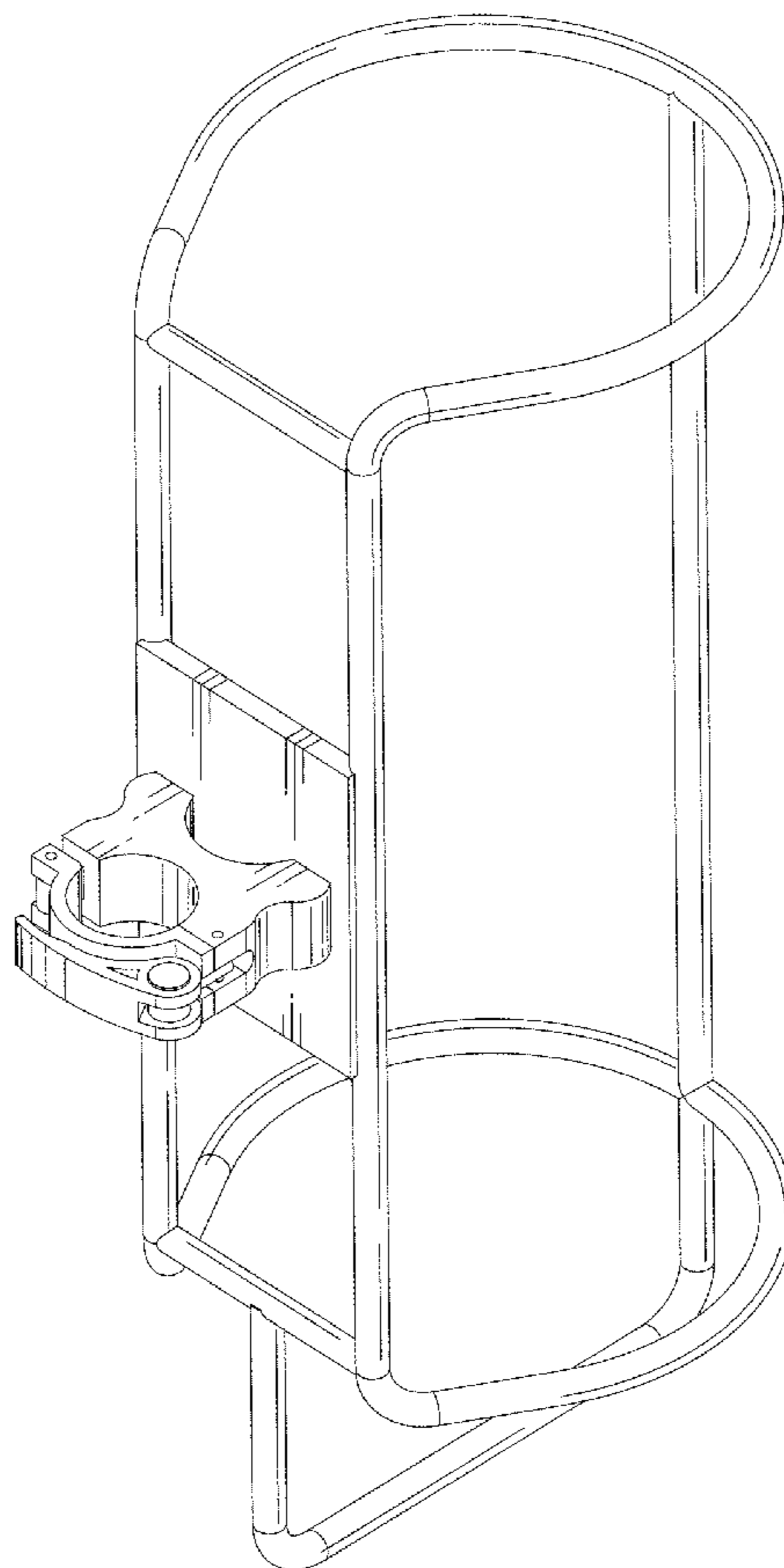
FIG. 4 is a first side view thereof.

FIG. 5 is a second side view thereof.

FIG. 6 is a top view thereof; and,

FIG. 7 is a bottom view thereof.

1 Claim, 5 Drawing Sheets



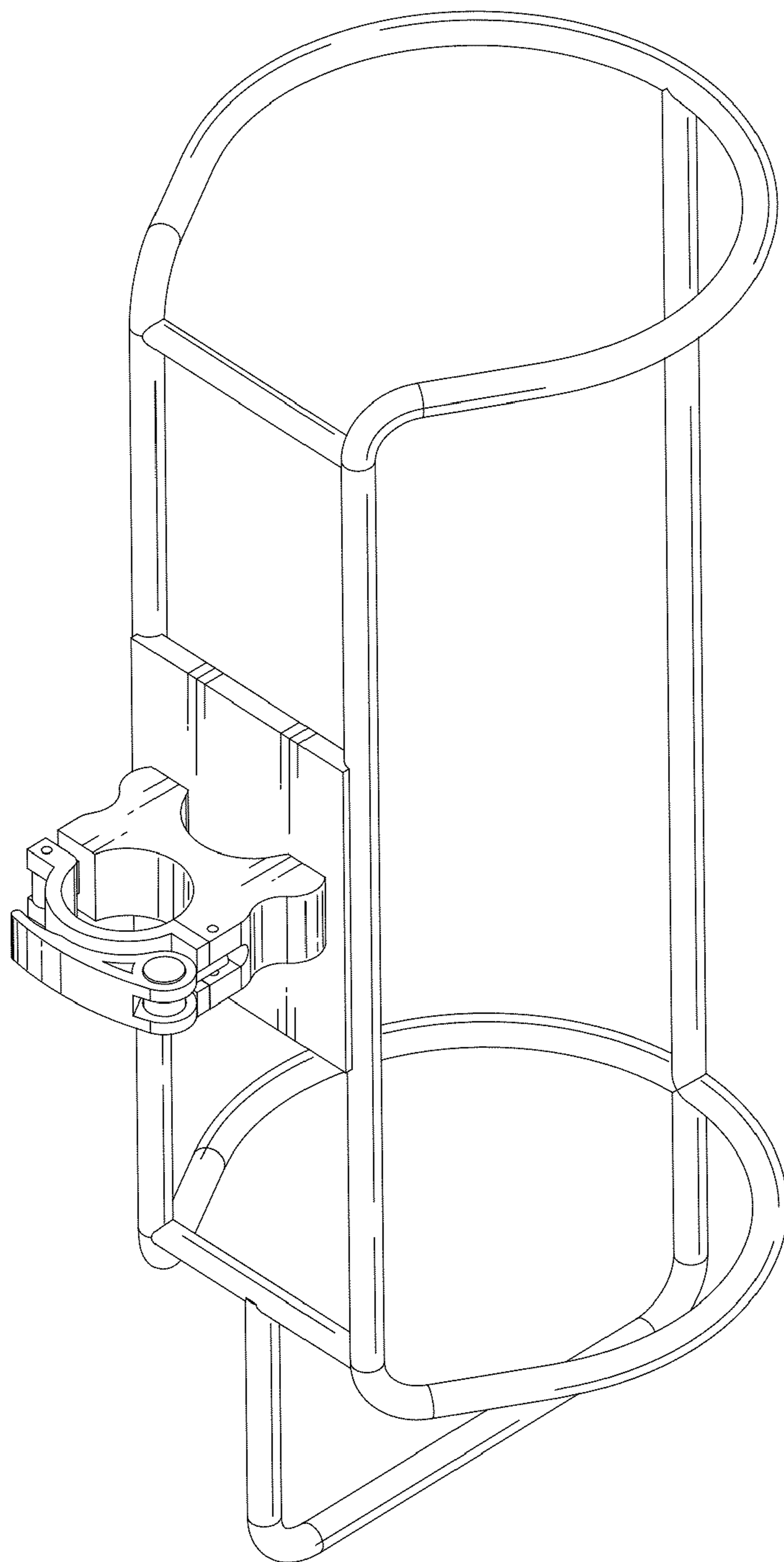


FIG. 1

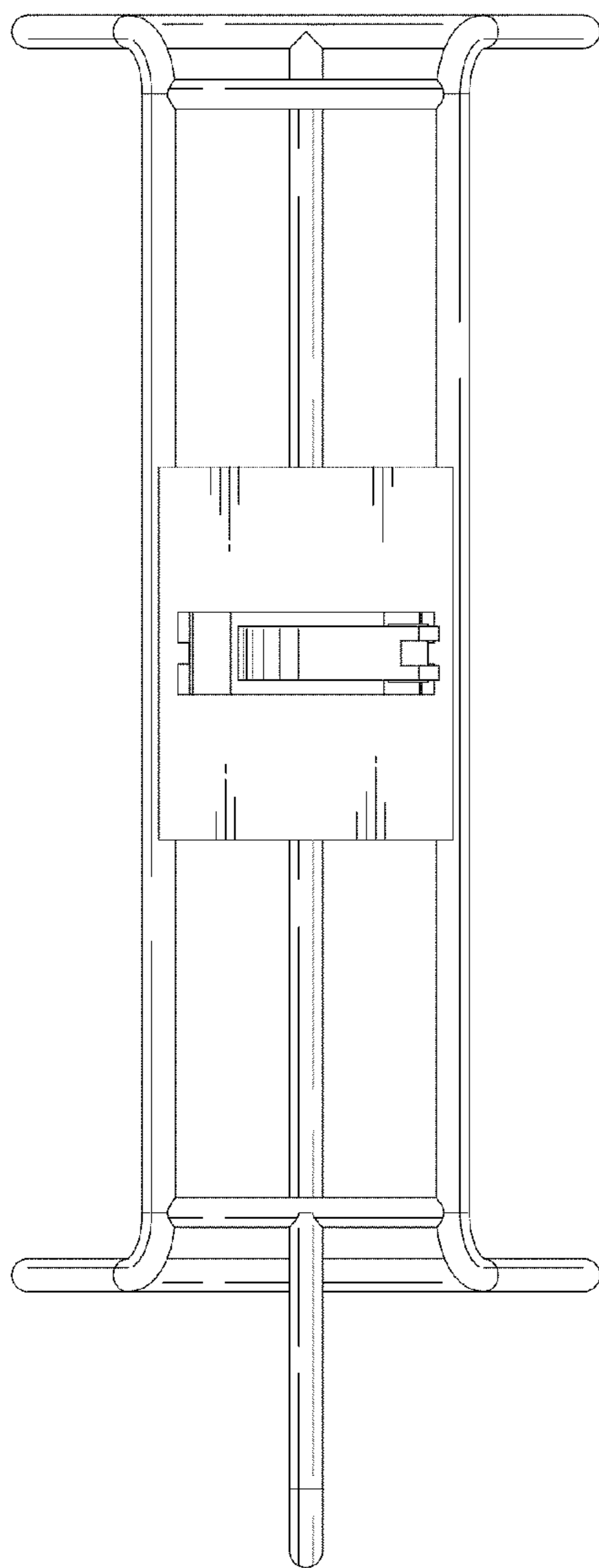


FIG. 2

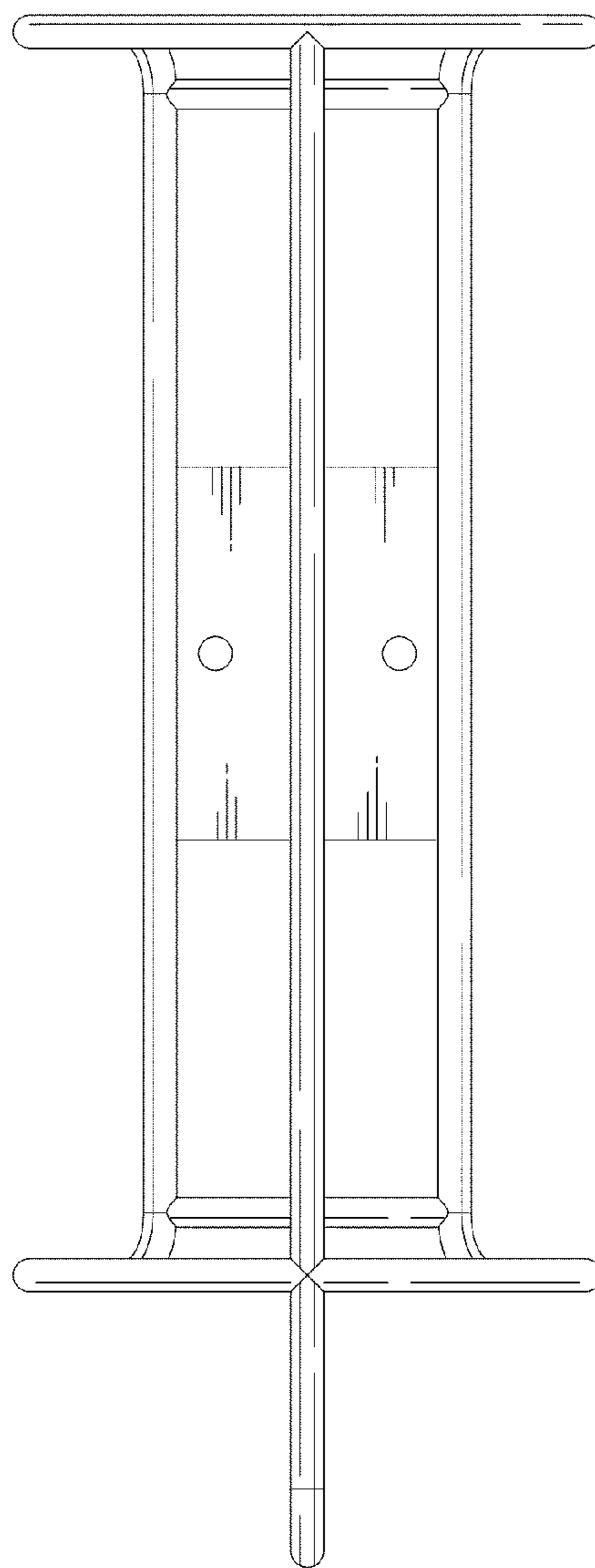


FIG. 3

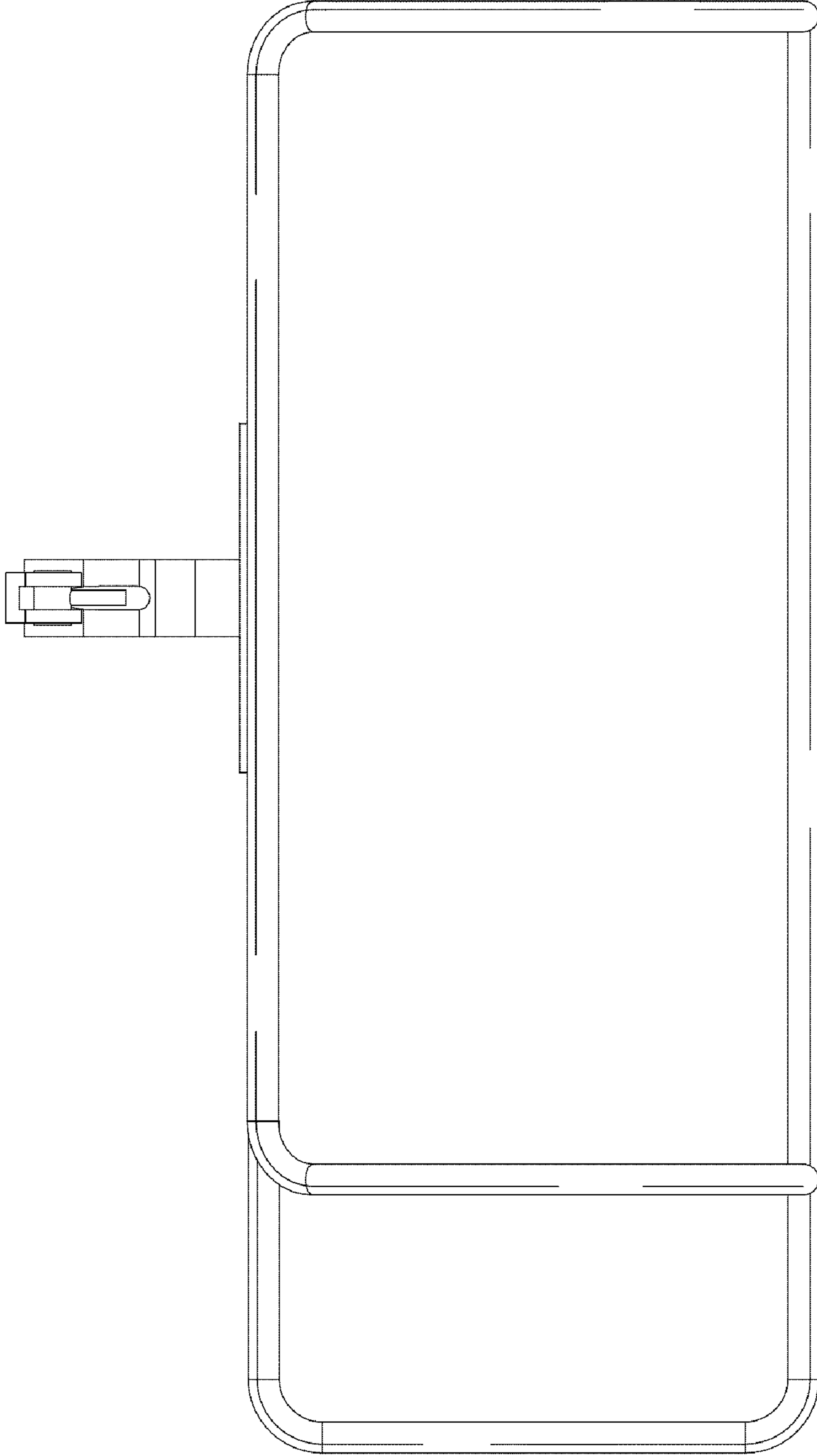


FIG. 4

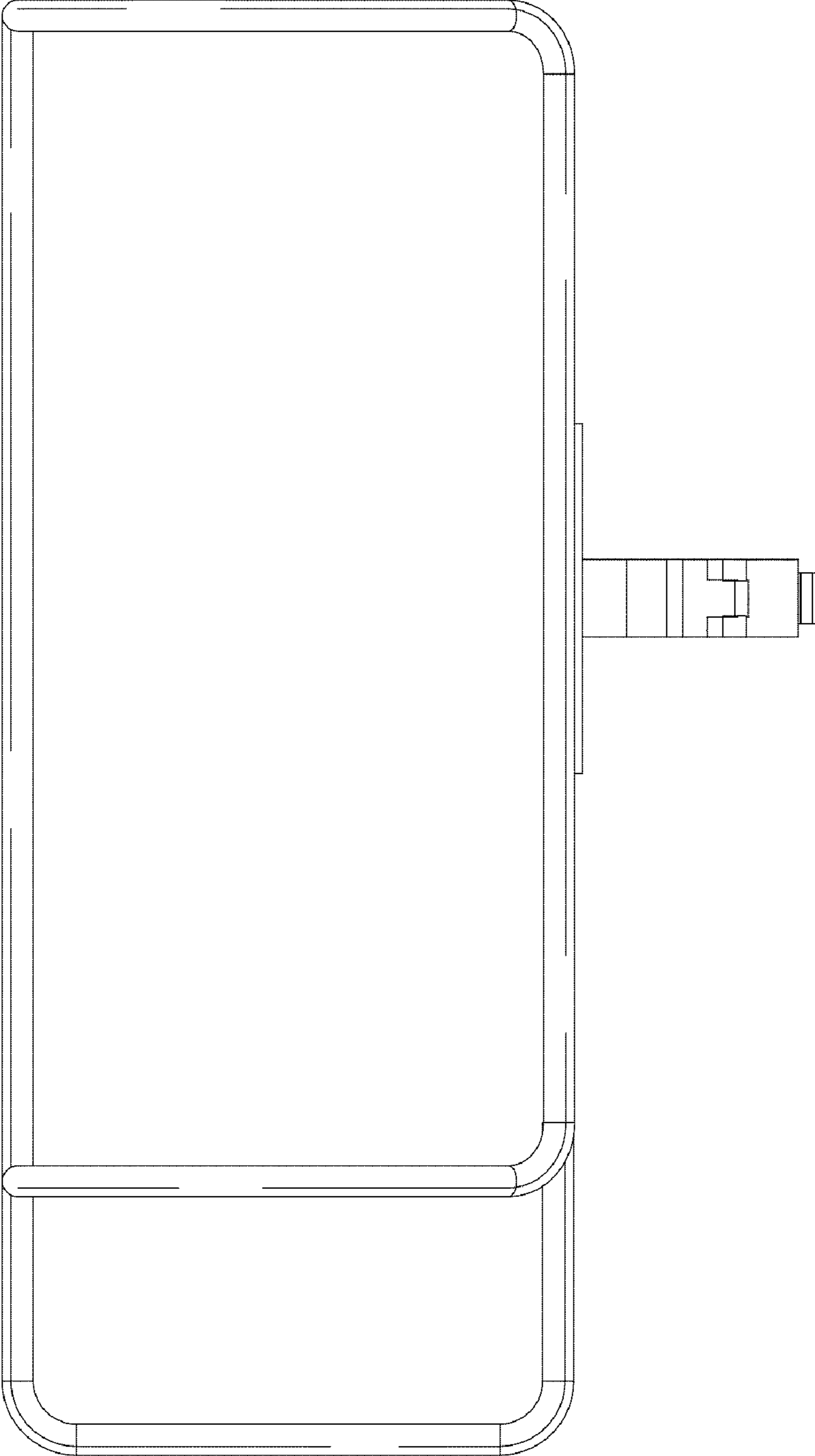


FIG. 5

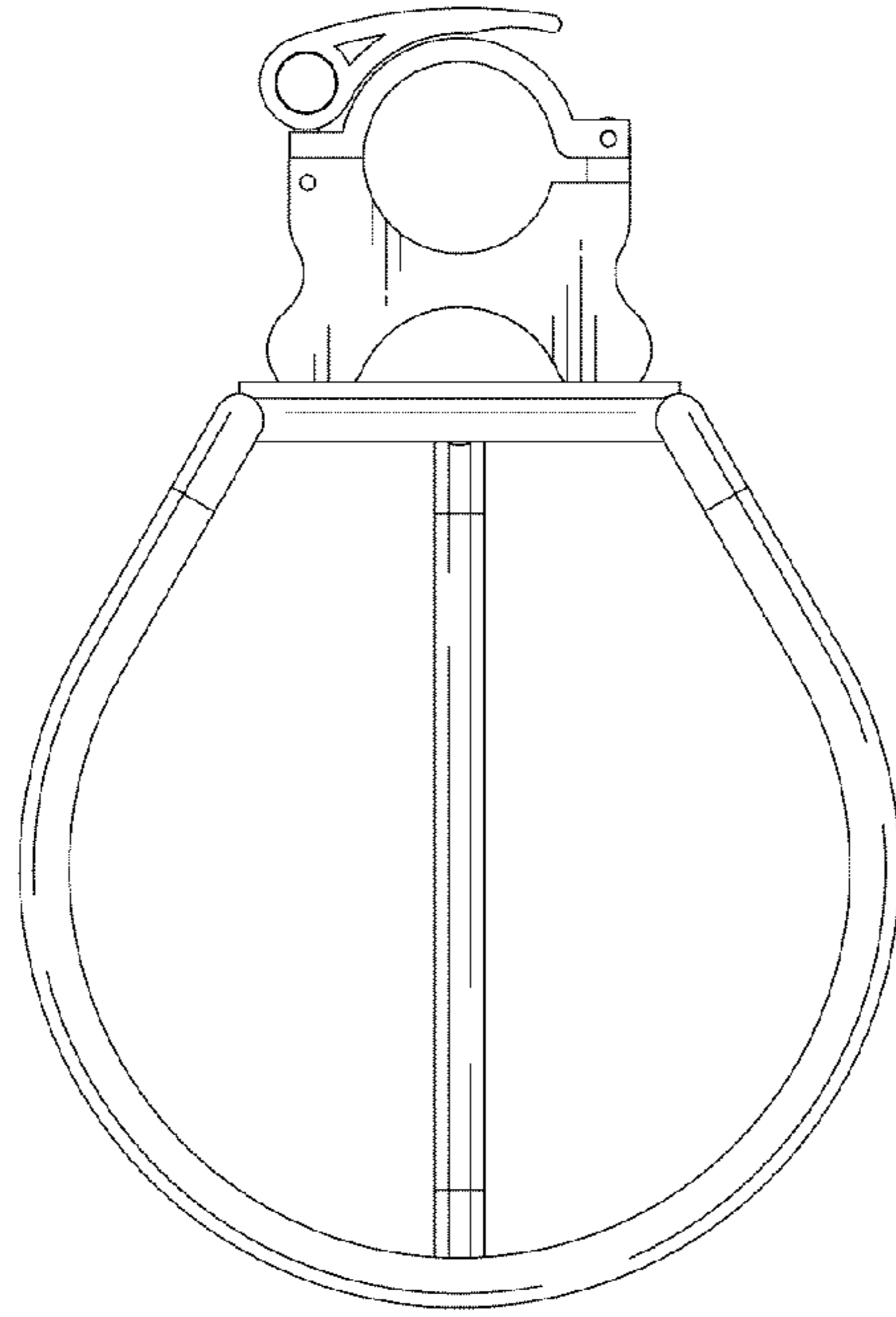


FIG. 6

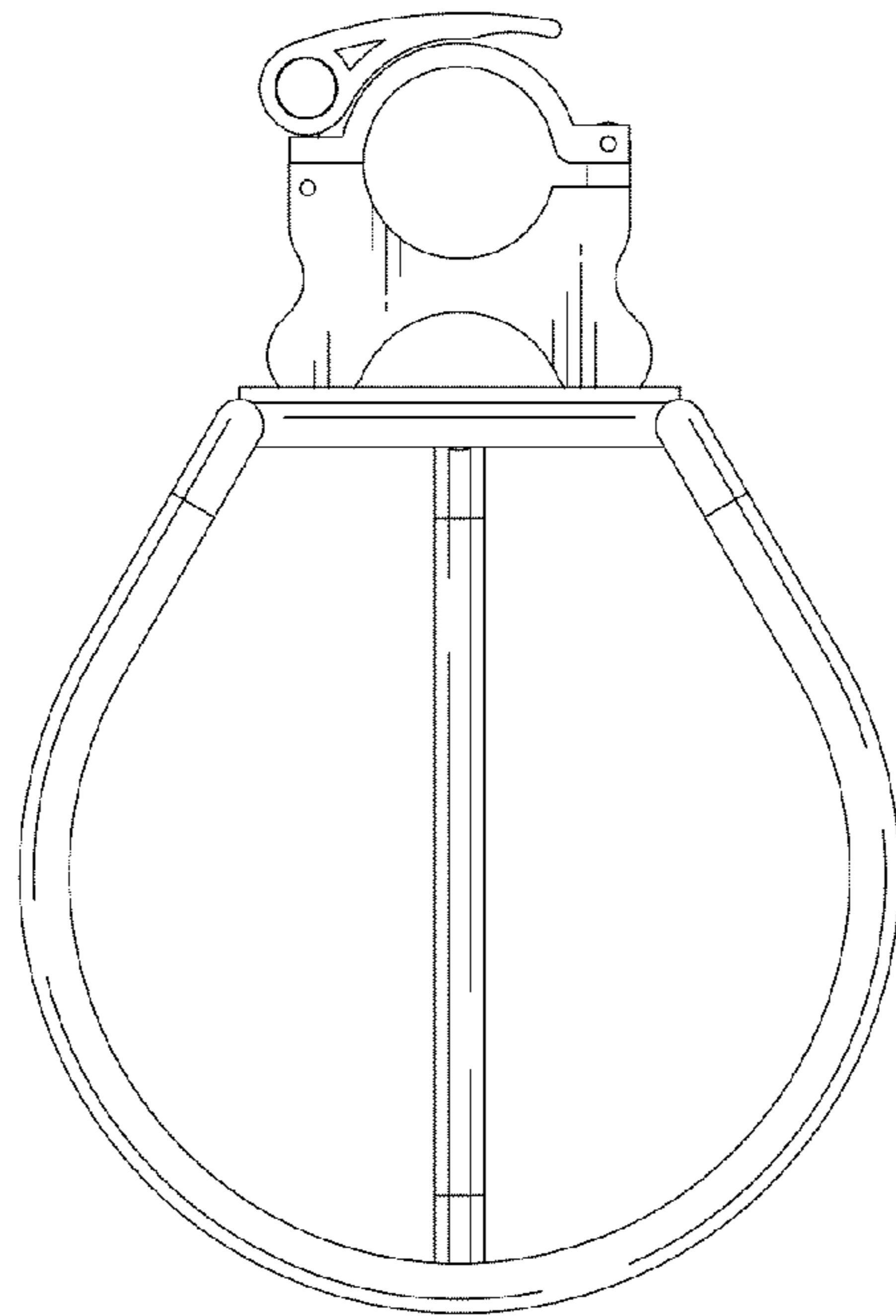


FIG. 7