



US00D646958S

(12) **United States Design Patent**
Wang

(10) **Patent No.:** **US D646,958 S**
(45) **Date of Patent:** **** Oct. 18, 2011**

(54) **HANGER**

(75) Inventor: **Long-Shih Wang**, Chia Yi (TW)

(73) Assignee: **Chntuo Industrial Co., Ltd.**, Chia Ti (TW)

(**) Term: **14 Years**

(21) Appl. No.: **29/347,353**

(22) Filed: **Dec. 14, 2009**

(51) **LOC (9) Cl.** **03-01**

(52) **U.S. Cl.** **D8/372**

(58) **Field of Classification Search** D8/373,
D8/372; D6/553; 248/113, 316.3; 211/87.01
See application file for complete search history.

(56) **References Cited**

U.S. PATENT DOCUMENTS

3,633,860	A	*	1/1972	Navarro	248/113
D308,629	S	*	6/1990	Bush	D8/373
D385,480	S	*	10/1997	Mayo	D8/372
D434,640	S	*	12/2000	Kwok	D8/372

D456,656	S	*	5/2002	Ng	D6/553
D466,796	S	*	12/2002	Lacey	D8/372
D494,048	S	*	8/2004	Goodman et al.	D8/372
D602,768	S	*	10/2009	Goodman et al.	D8/372

* cited by examiner

Primary Examiner — Holly Baynham

(74) *Attorney, Agent, or Firm* — Rosenberg, Klein & Lee

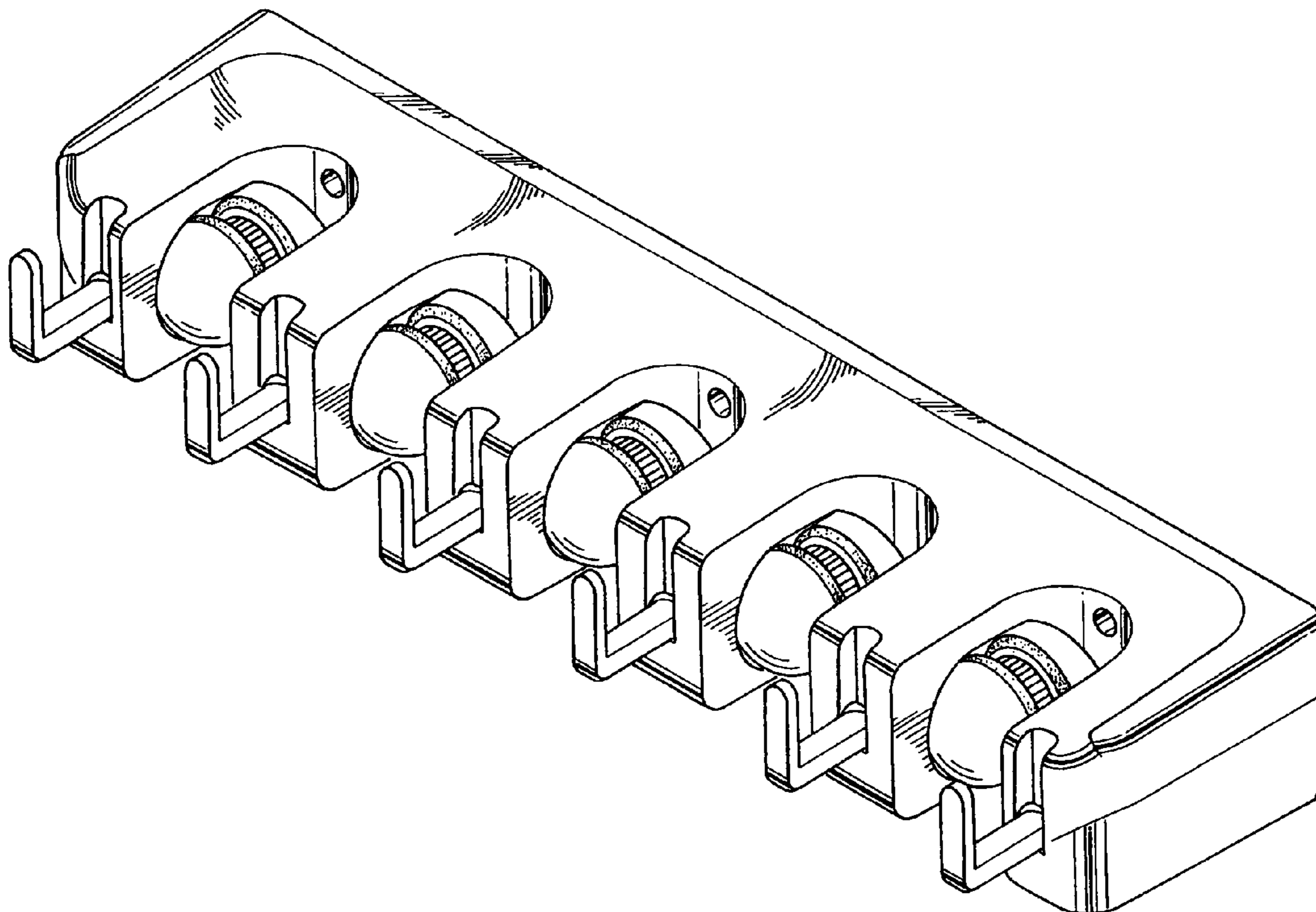
(57) **CLAIM**

The ornamental design for a hanger, as shown and described.

DESCRIPTION

FIG. 1 is a first perspective view of a hanger showing my new design;
FIG. 2 is a front elevational view thereof;
FIG. 3 is a rear elevational view thereof;
FIG. 4 is a left side elevational view thereof;
FIG. 5 is a right side elevational view thereof;
FIG. 6 is a top plan view thereof; and,
FIG. 7 is a bottom plan view thereof; and,
FIG. 8 is a second perspective view of a hanger showing my new design.

1 Claim, 8 Drawing Sheets



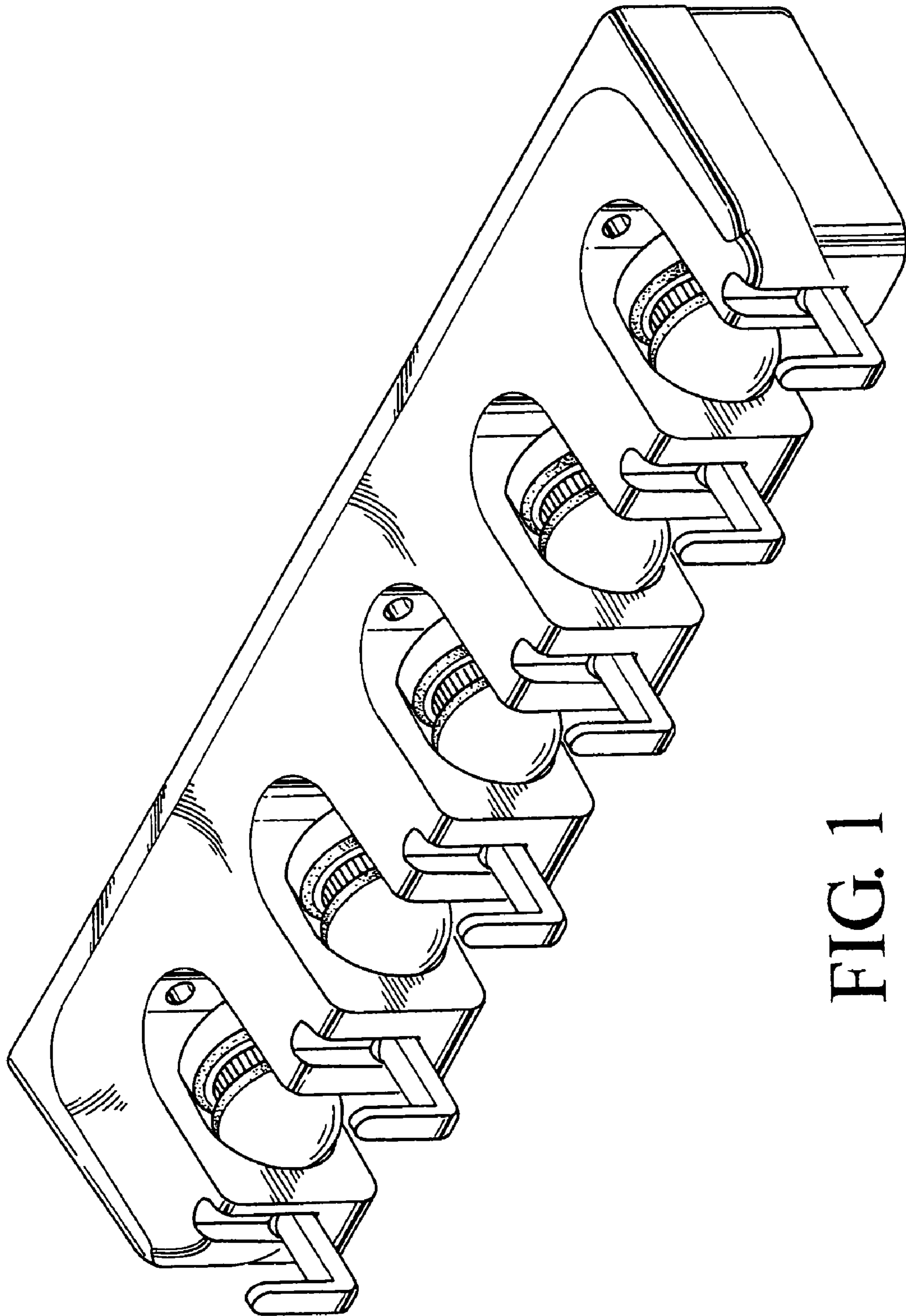


FIG. 1

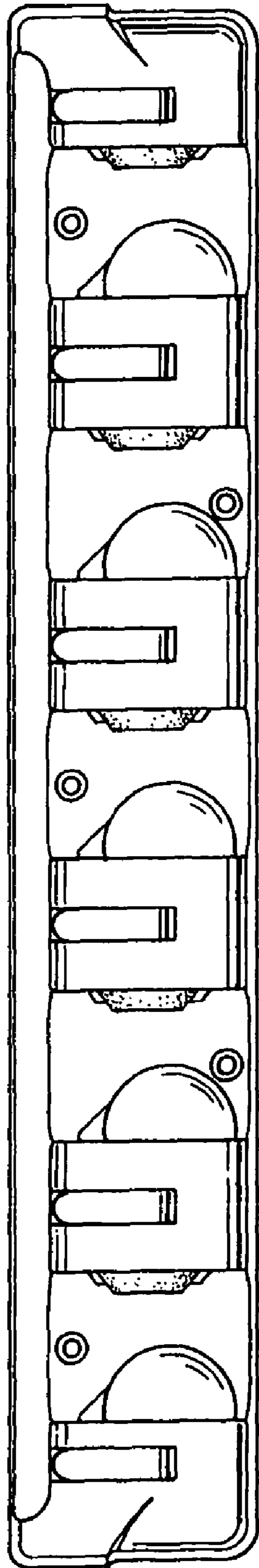


FIG. 2

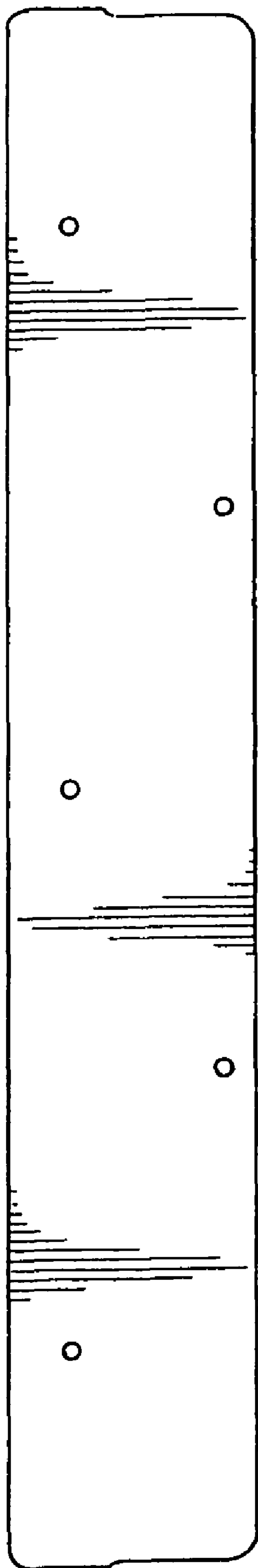


FIG. 3

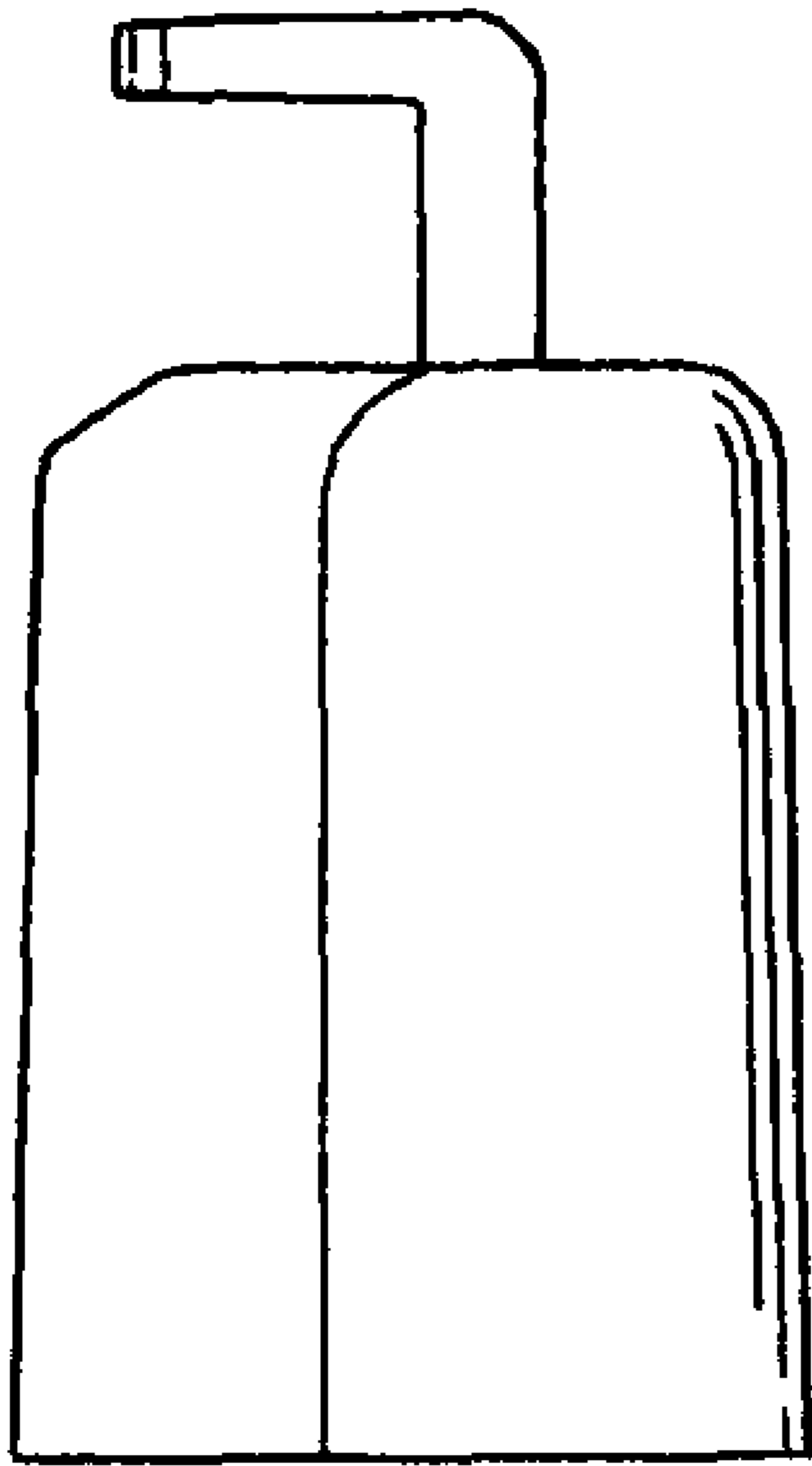


FIG. 4

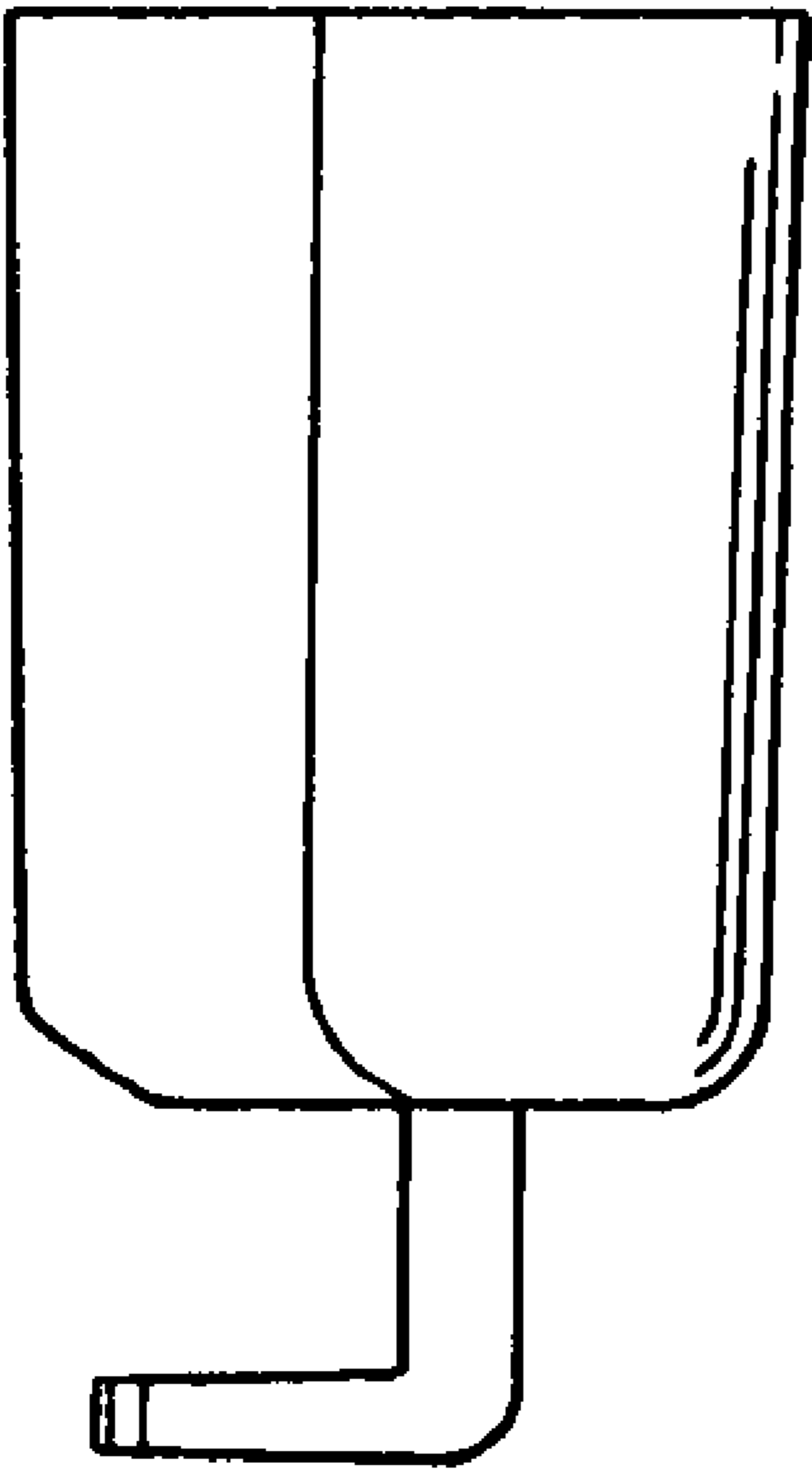


FIG. 5

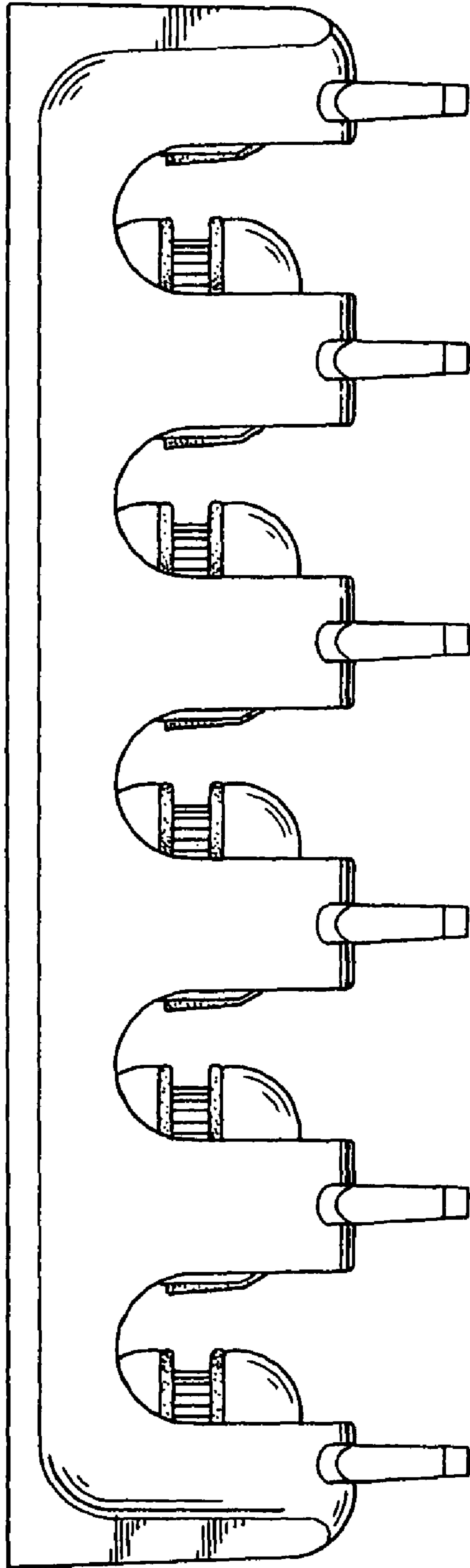


FIG.6

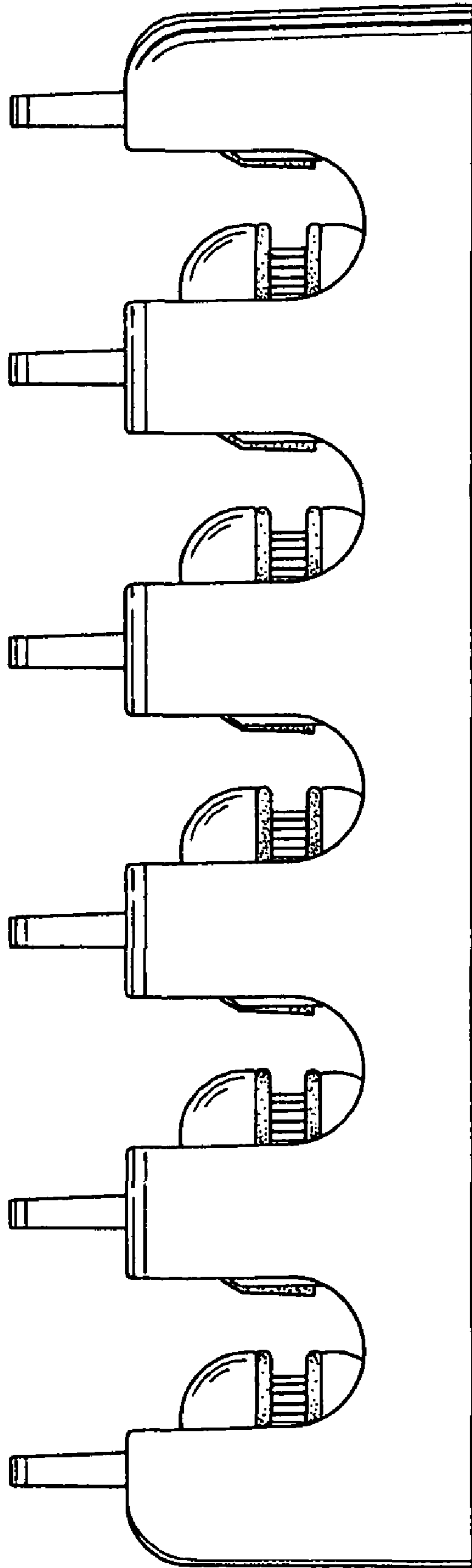


FIG. 7

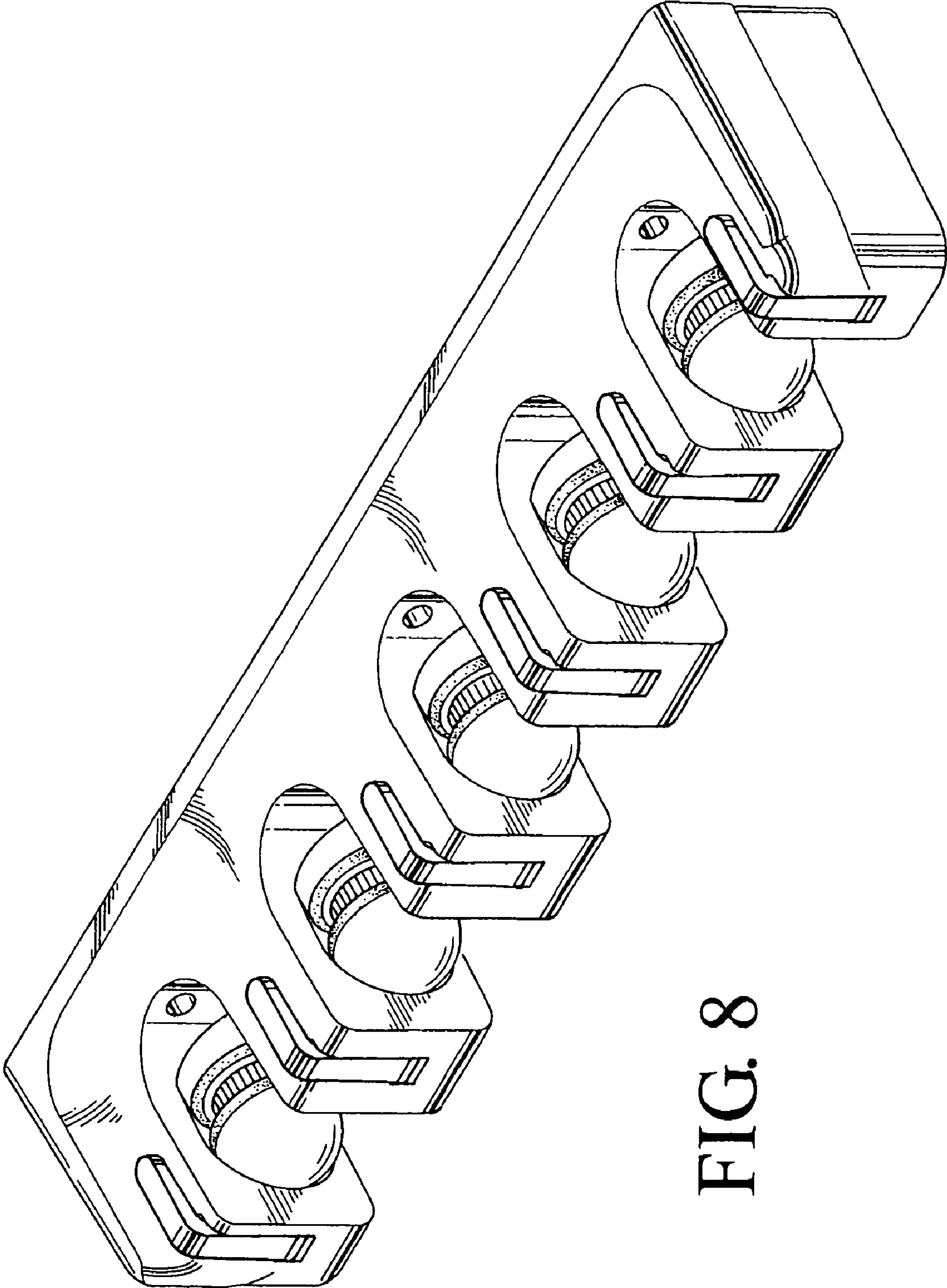


FIG. 8