



US00D646957S

(12) **United States Design Patent**
Syed et al.

(10) **Patent No.:** **US D646,957 S**

(45) **Date of Patent:** **** Oct. 18, 2011**

(54) **HANDRAIL BRACKET**

(76) Inventors: **Lori H Syed**, Portland, OR (US); **Rafi H Syed**, Portland, OR (US)

(**) Term: **14 Years**

(21) Appl. No.: **29/383,281**

(22) Filed: **Jan. 14, 2011**

(51) **LOC (9) Cl.** **08-05**

(52) **U.S. Cl.** **D8/363**

(58) **Field of Classification Search** D8/367,
D8/363, 373; 248/251, 300, 217.4, 309.1;
D25/38

See application file for complete search history.

(56) **References Cited**

U.S. PATENT DOCUMENTS

D196,040 S *	8/1963	Morgan	D8/363
D572,575 S *	7/2008	Zhang	D8/363
D594,739 S *	6/2009	Lee	D8/363

* cited by examiner

Primary Examiner — Holly Baynham

(74) *Attorney, Agent, or Firm* — Baumgartner Patent Law;
Marc Baumgartner

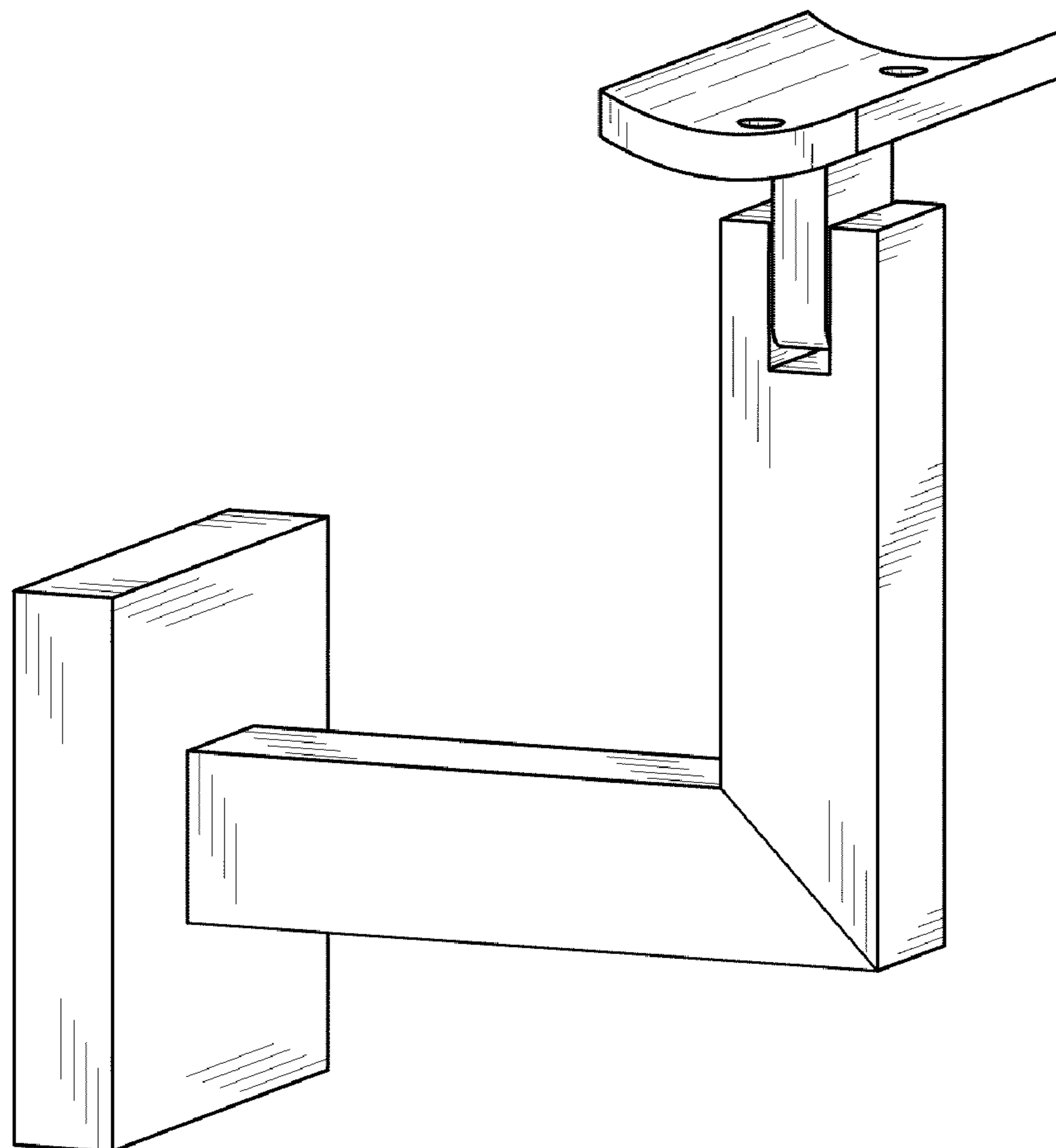
(57) **CLAIM**

The ornamental design for a handrail bracket, as shown and described.

DESCRIPTION

FIG. 1 is a perspective view of the handrail bracket.
 FIG. 2 is a front elevational view of the handrail bracket.
 FIG. 3 is a rear elevational view of the handrail bracket.
 FIG. 4 is a top plan view of the handrail bracket.
 FIG. 5 is a bottom plan view of the handrail bracket.
 FIG. 6 is a side elevational view of the handrail bracket (the other side is a mirror image of this side)
 FIG. 7 is a sectional view taken along line 7-7 of FIG. 3; and,
 FIG. 8 is a perspective view of the handrail bracket in an upward position.
 The broken line showing of a partial pipe is included for the purpose of illustrating environment and forms no part of the claimed design.

1 Claim, 5 Drawing Sheets



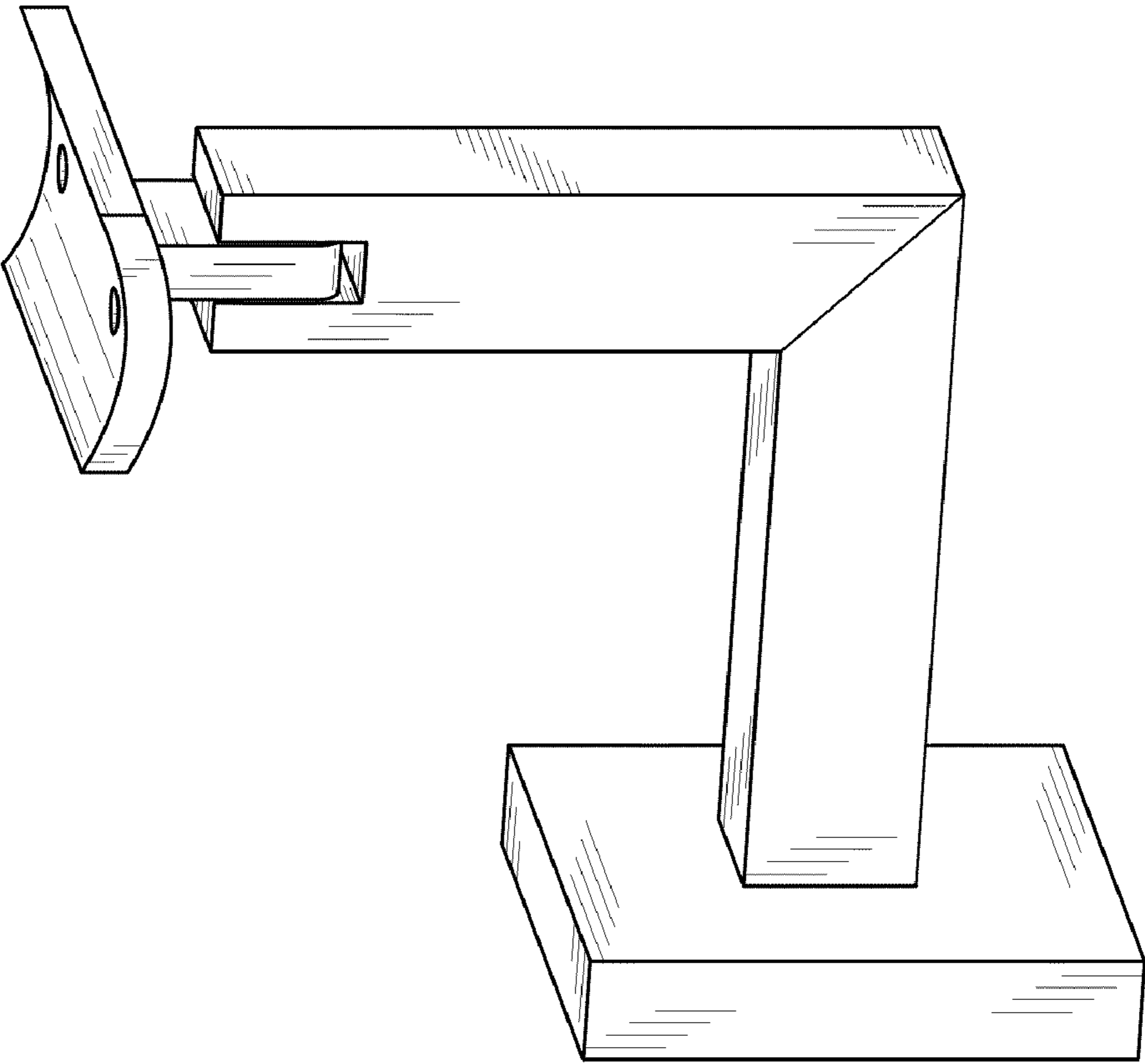


Fig. 1

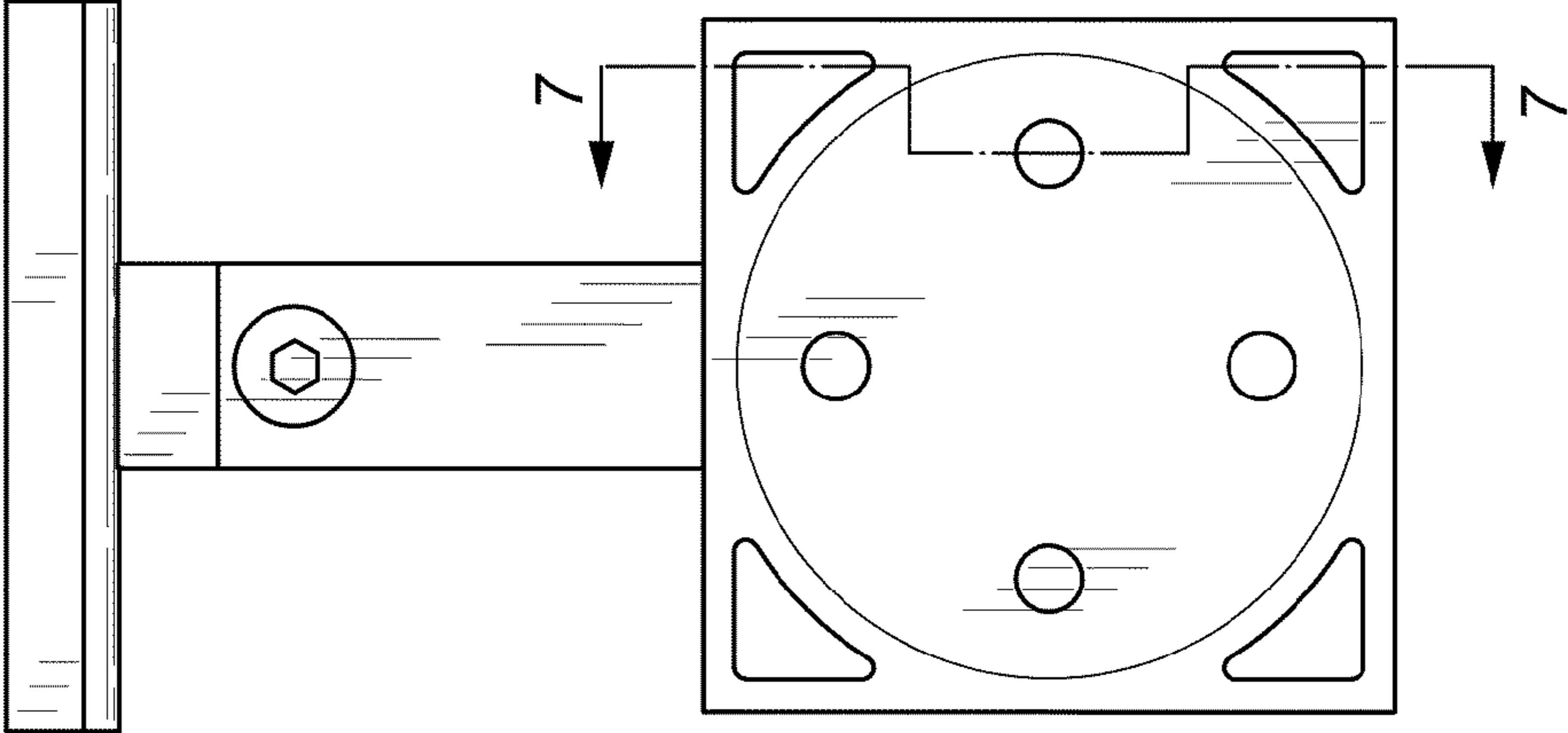


Fig. 3

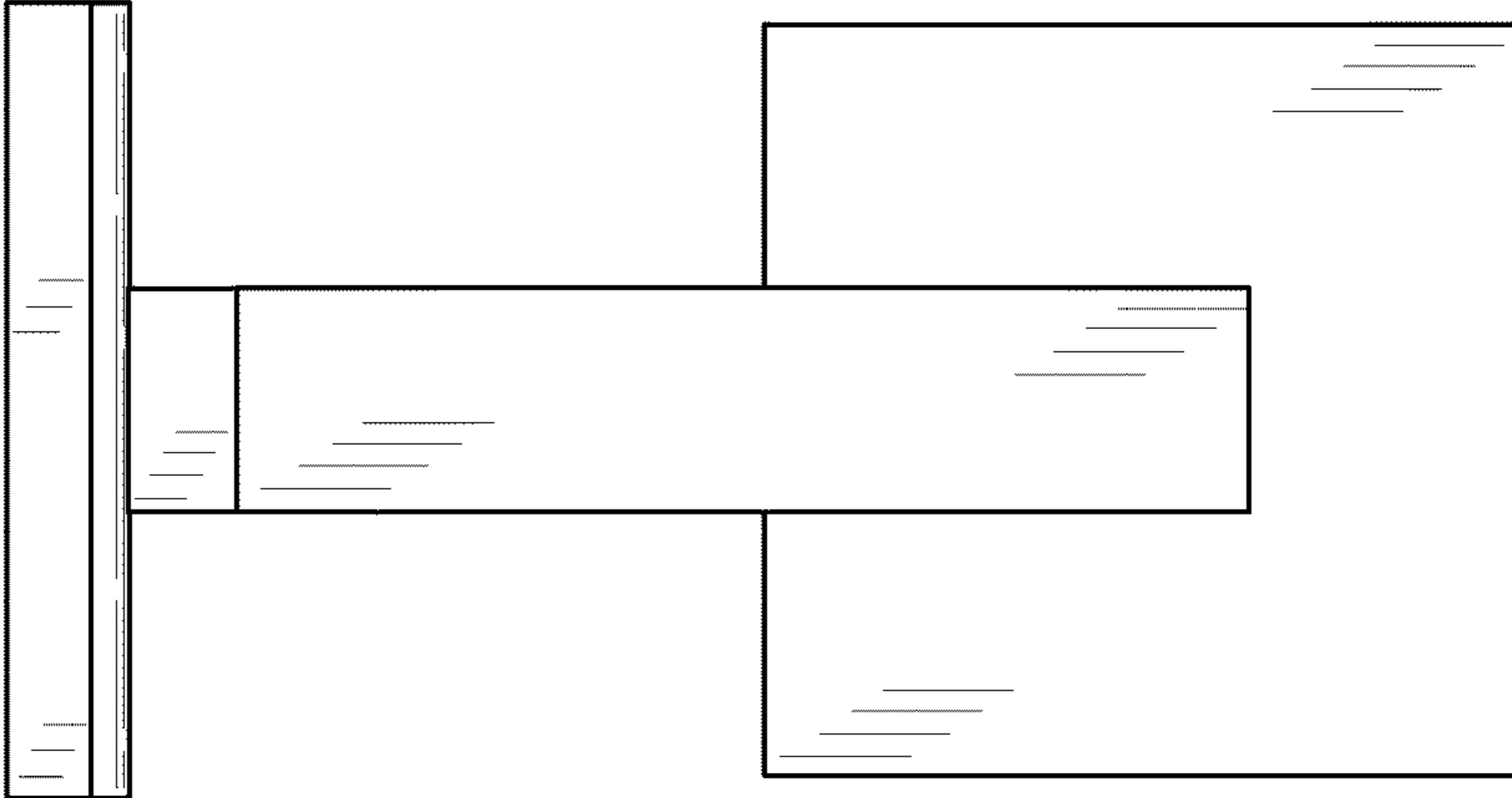


Fig. 2

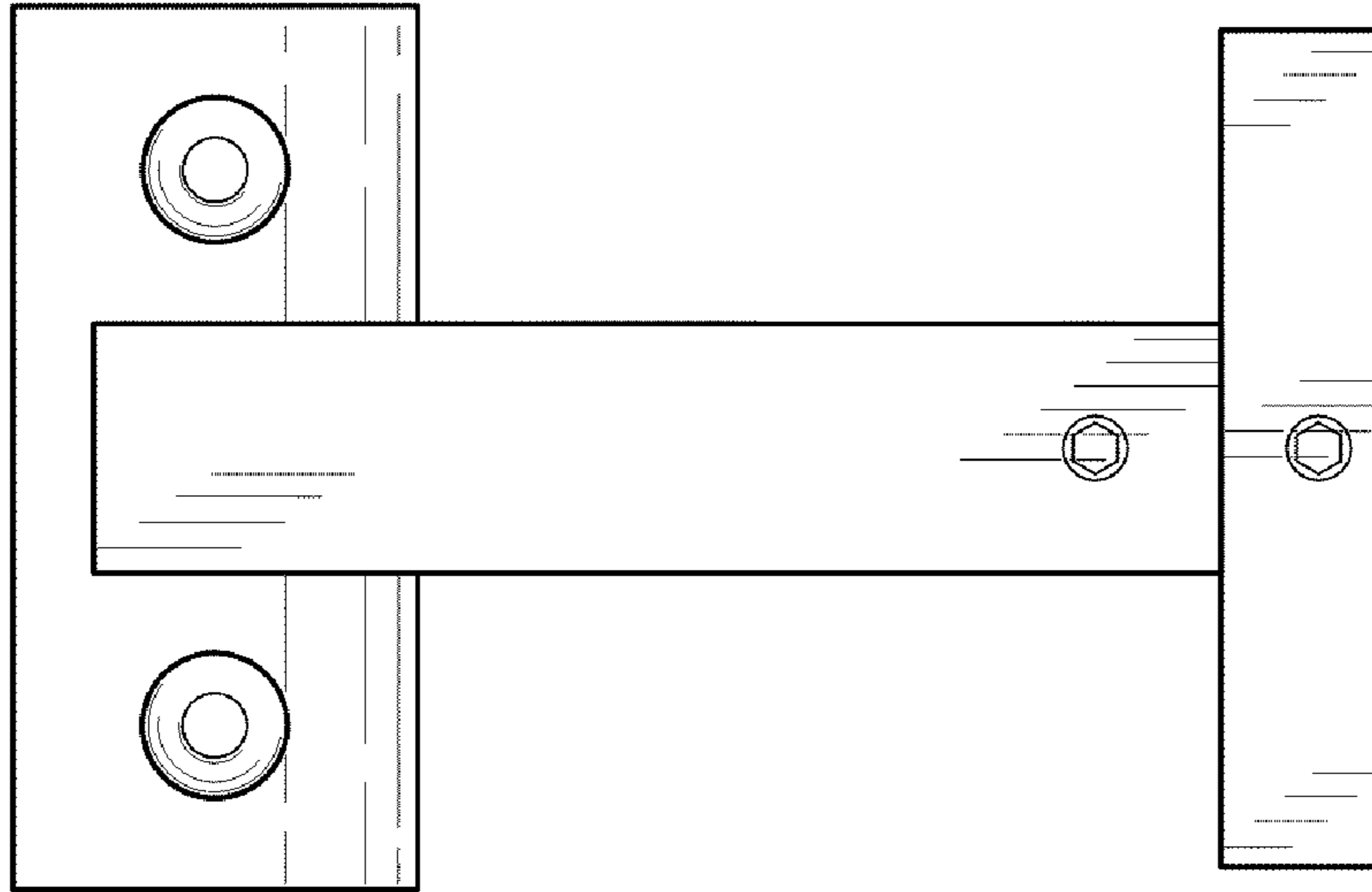


Fig. 5

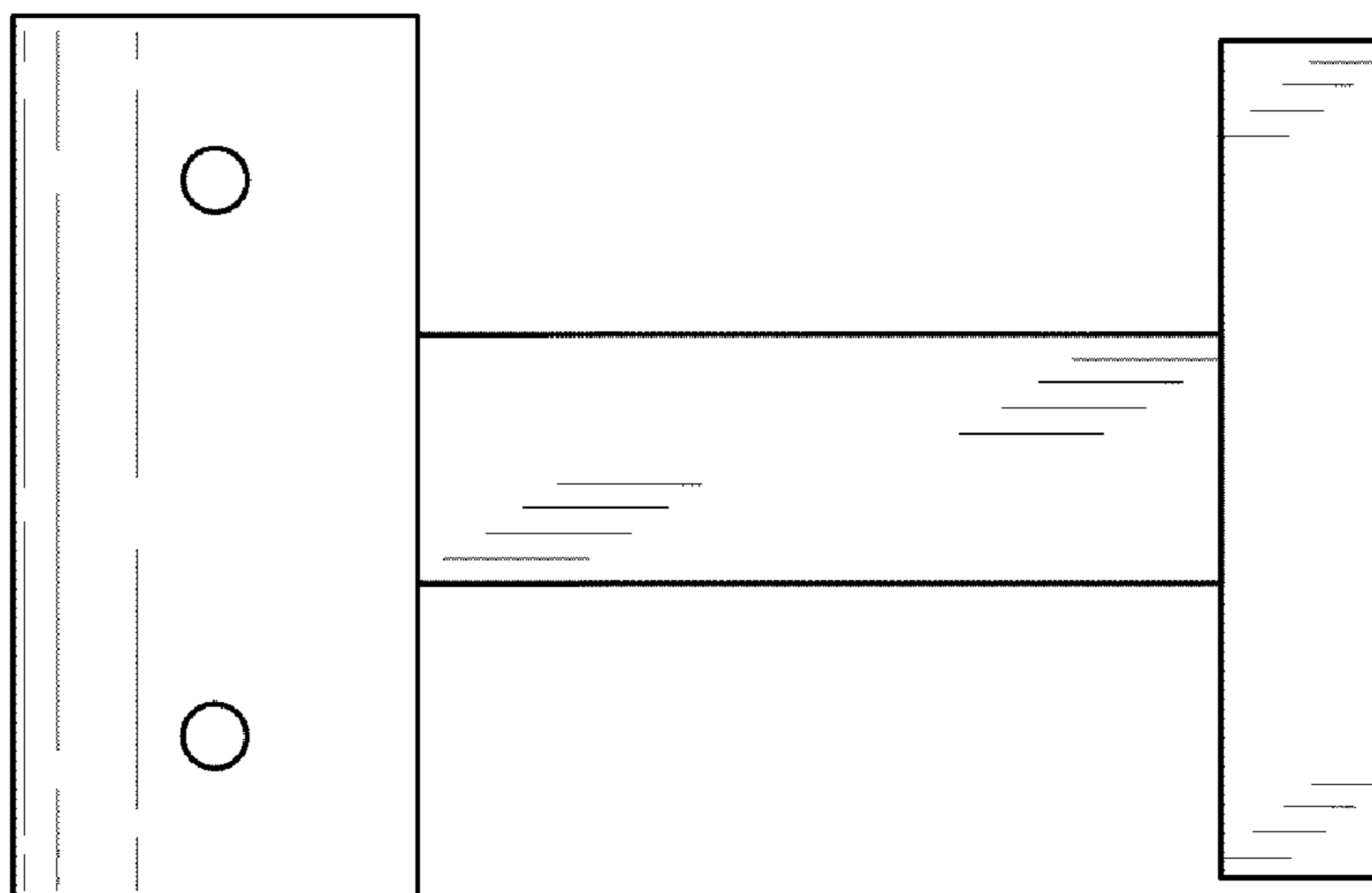


Fig. 4

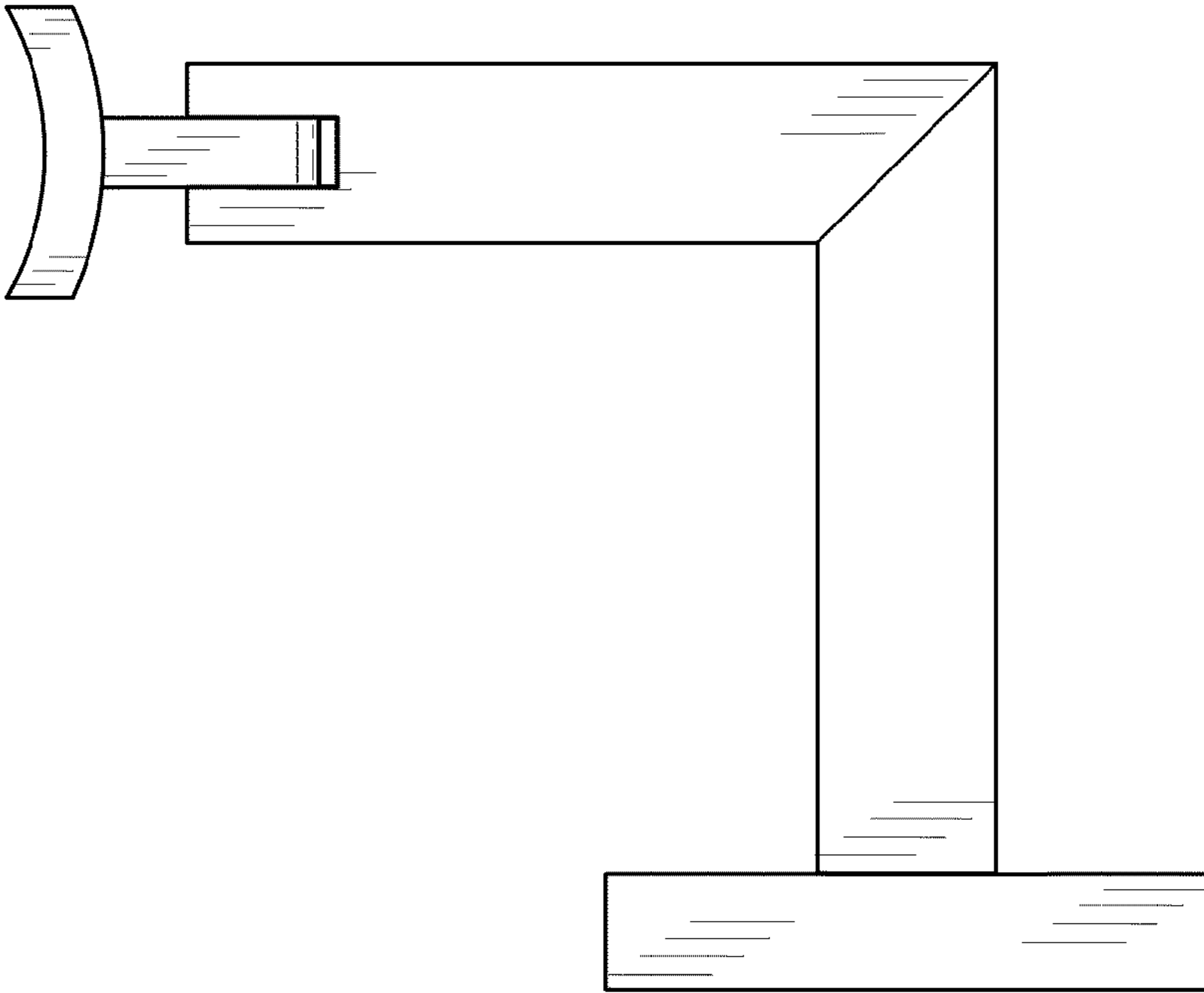


Fig. 6

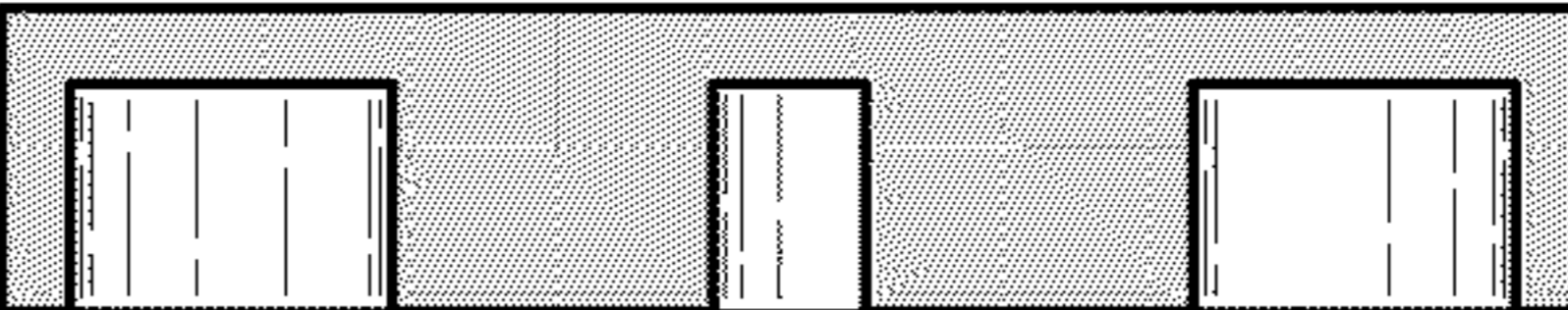


Fig. 7

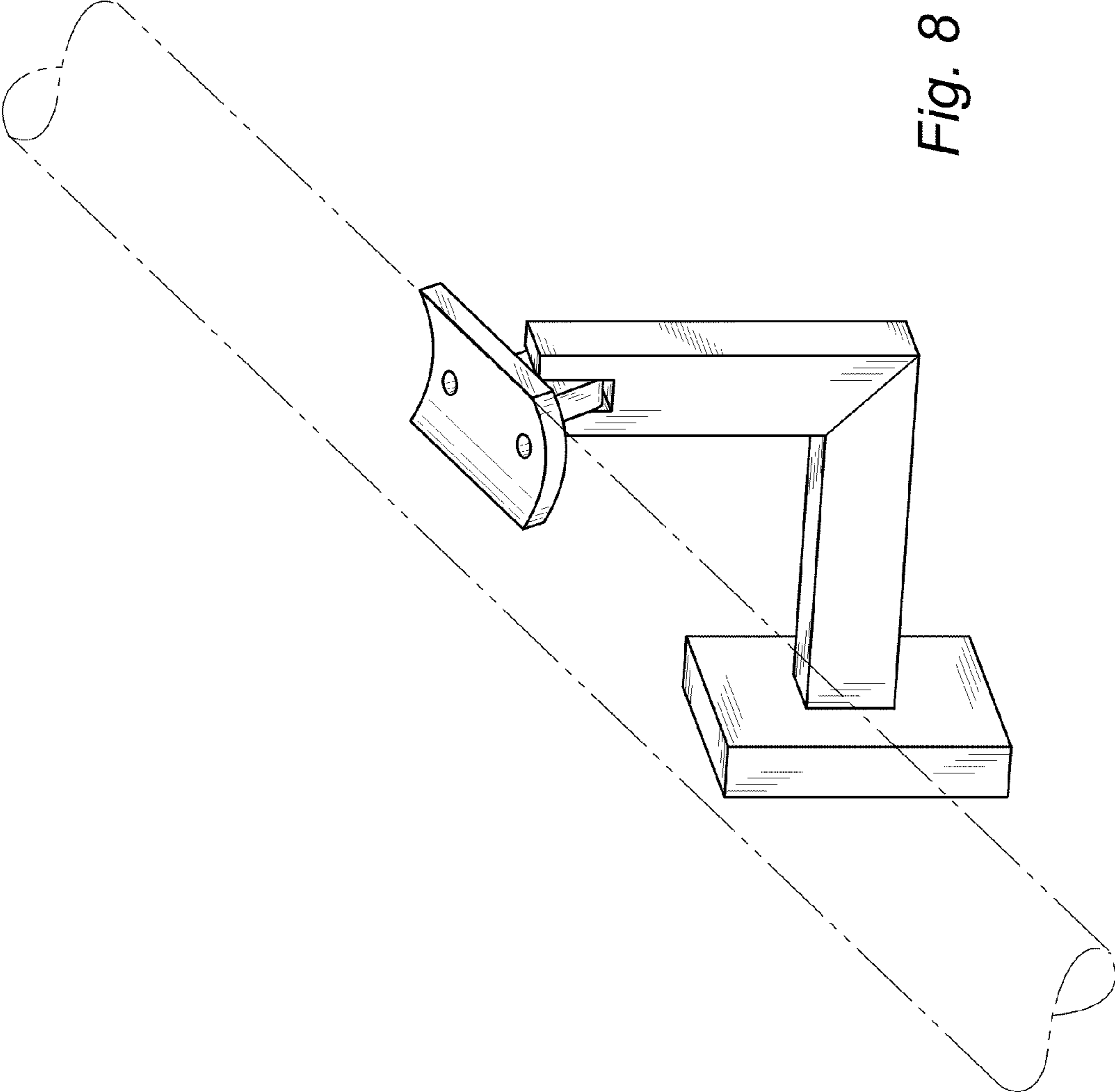


Fig. 8