



US00D646956S

(12) **United States Design Patent**
Leung

(10) **Patent No.:** **US D646,956 S**

(45) **Date of Patent:** **** Oct. 18, 2011**

(54) **TV MOUNT**

(76) Inventor: **Alex Leung, Kwun Tong (HK)**

(**) Term: **14 Years**

(21) Appl. No.: **29/382,982**

(22) Filed: **Jan. 10, 2011**

(51) **LOC (9) Cl.** **08-05**

(52) **U.S. Cl.** **D8/354**

(58) **Field of Classification Search** D8/323,
D8/324, 330, 325, 327, 331, 336, 353, 338,
D8/356, 354; D16/334; D10/69; D23/302,
D23/303; D3/905; 49/381; 248/682, 49,
248/68.1, 544, 73, 74.3; 33/347, 365-399;
174/153 G, 135, 72 A, 152 G; 5/503.1; 138/106;
24/16 PB, 545; 16/221, 226, 225, 230, 231,
16/234, 235, 251; D14/239

See application file for complete search history.

(56) **References Cited**

U.S. PATENT DOCUMENTS

D293,203 S	*	12/1987	Hertensteiner	D8/354
D448,650 S	*	10/2001	Vrame	D8/356
D553,955 S	*	10/2007	Moser	D8/354
D554,978 S	*	11/2007	Radke	D8/354

D583,220 S	*	12/2008	Ni	D8/353
D589,782 S	*	4/2009	Rowell et al.	D8/356
D626,817 S	*	11/2010	Donowho et al.	D8/356
D626,822 S	*	11/2010	Simard et al.	D8/381
D627,214 S	*	11/2010	Kluge et al.	D8/381
D632,547 S	*	2/2011	Thompson	D8/356
D638,687 S	*	5/2011	Minkley et al.	D8/349

* cited by examiner

Primary Examiner — Cynthia Underwood

(74) *Attorney, Agent, or Firm* — QuickPatents, Inc.; Kevin Prince

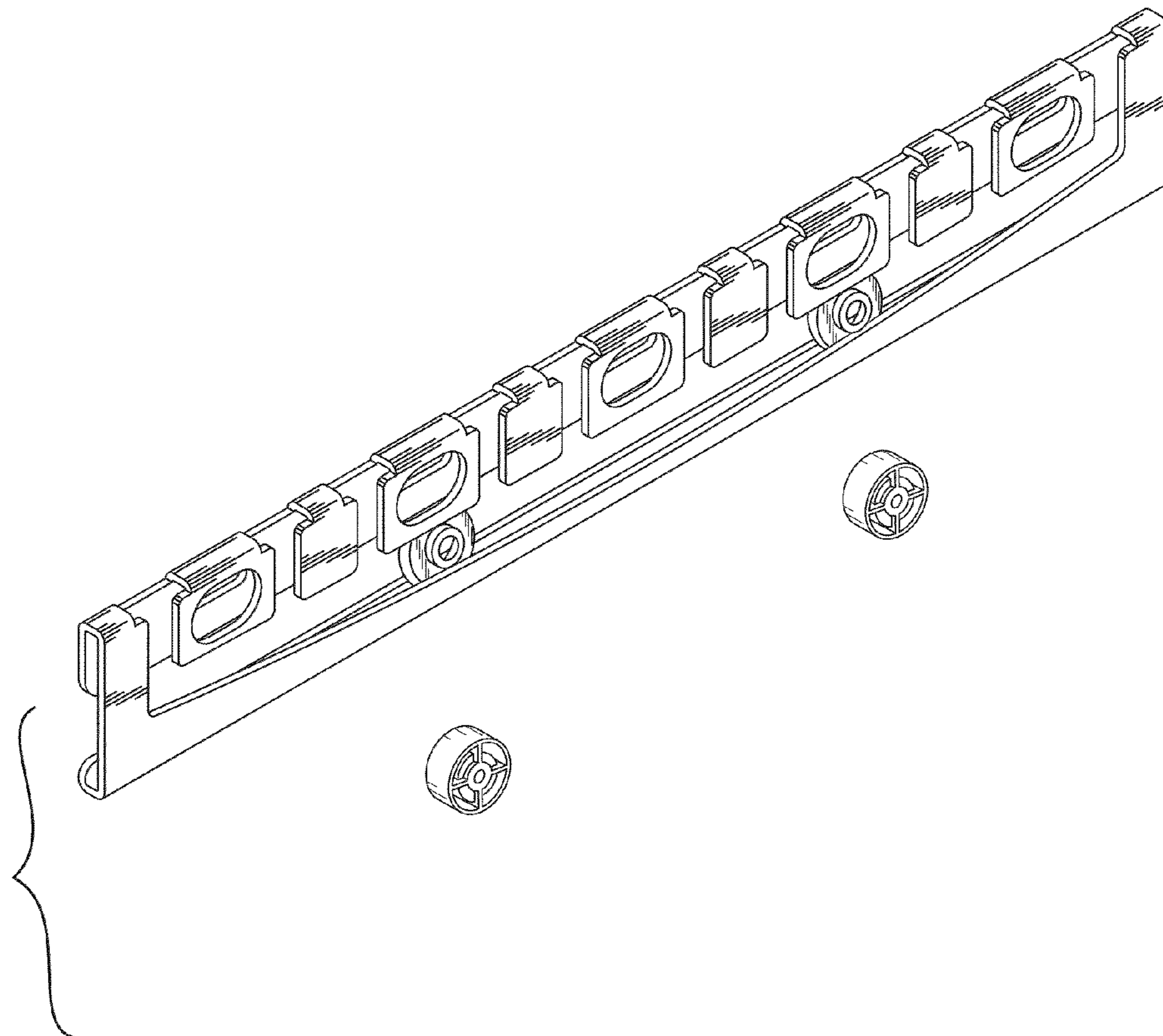
(57) **CLAIM**

I claim the ornamental design for a TV mount, as shown and described.

DESCRIPTION

FIG. 1 is an exploded perspective view of a TV mount, showing the new design;
FIG. 2 is an exploded front elevational view thereof;
FIG. 3 is an exploded rear elevational view thereof;
FIG. 4 is an exploded left-side elevational view thereof, the right-side elevational view being a mirror image thereof;
FIG. 5 is a top plan view thereof; and,
FIG. 6 is a bottom plan view thereof.

1 Claim, 3 Drawing Sheets



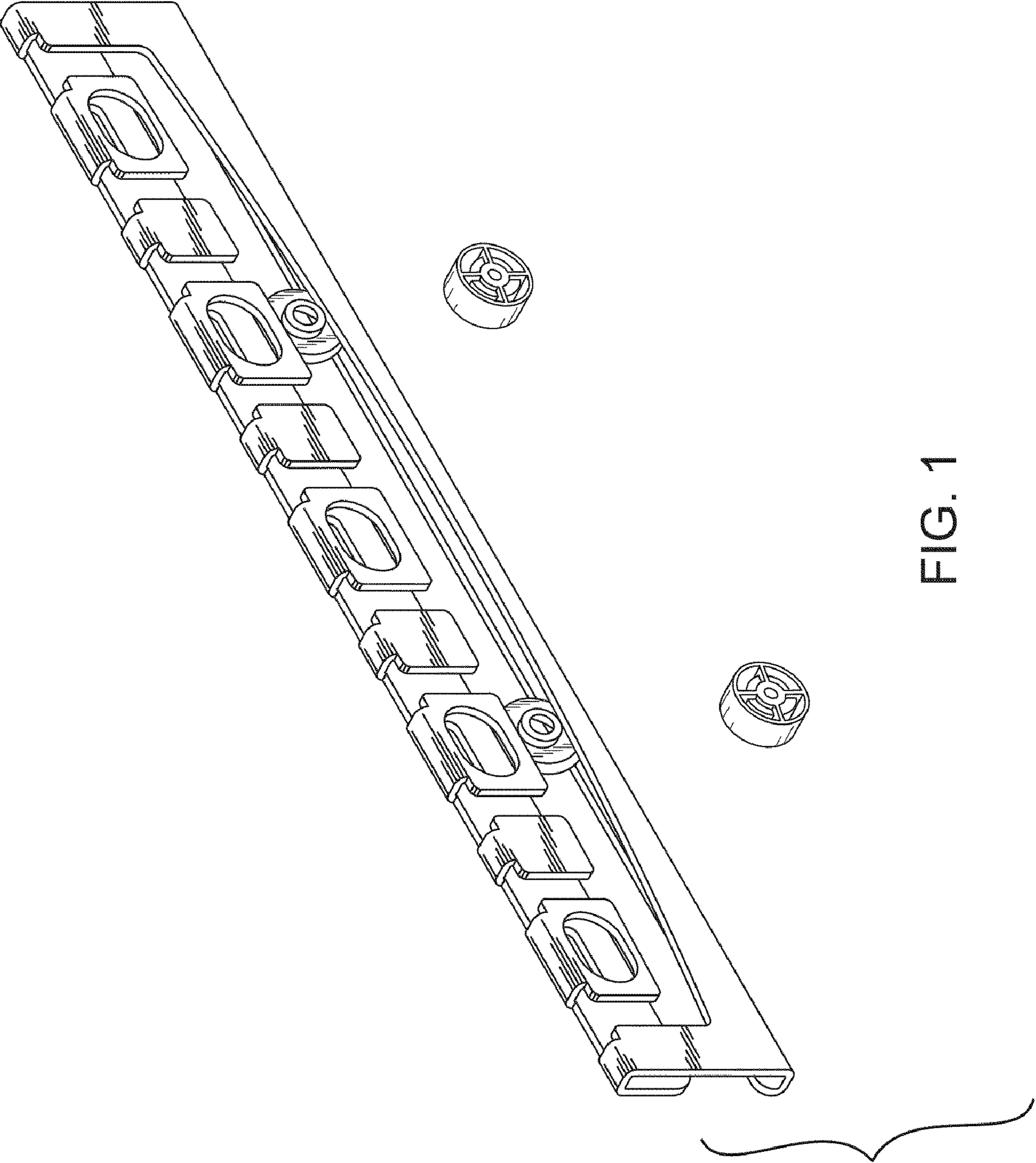


FIG. 1

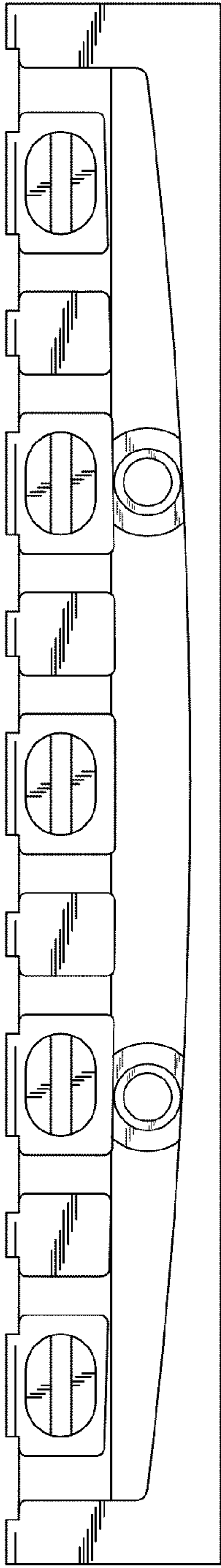


FIG. 2

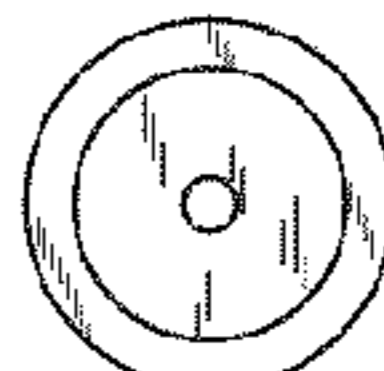
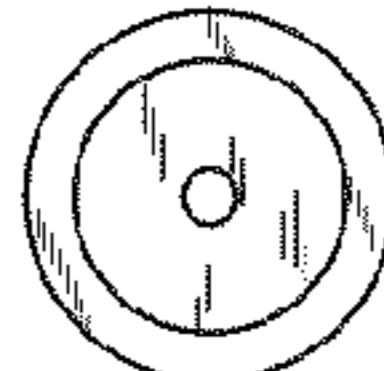
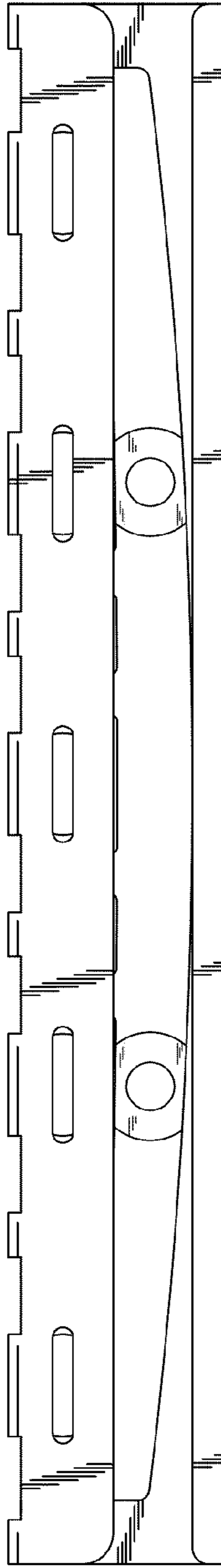


FIG. 3

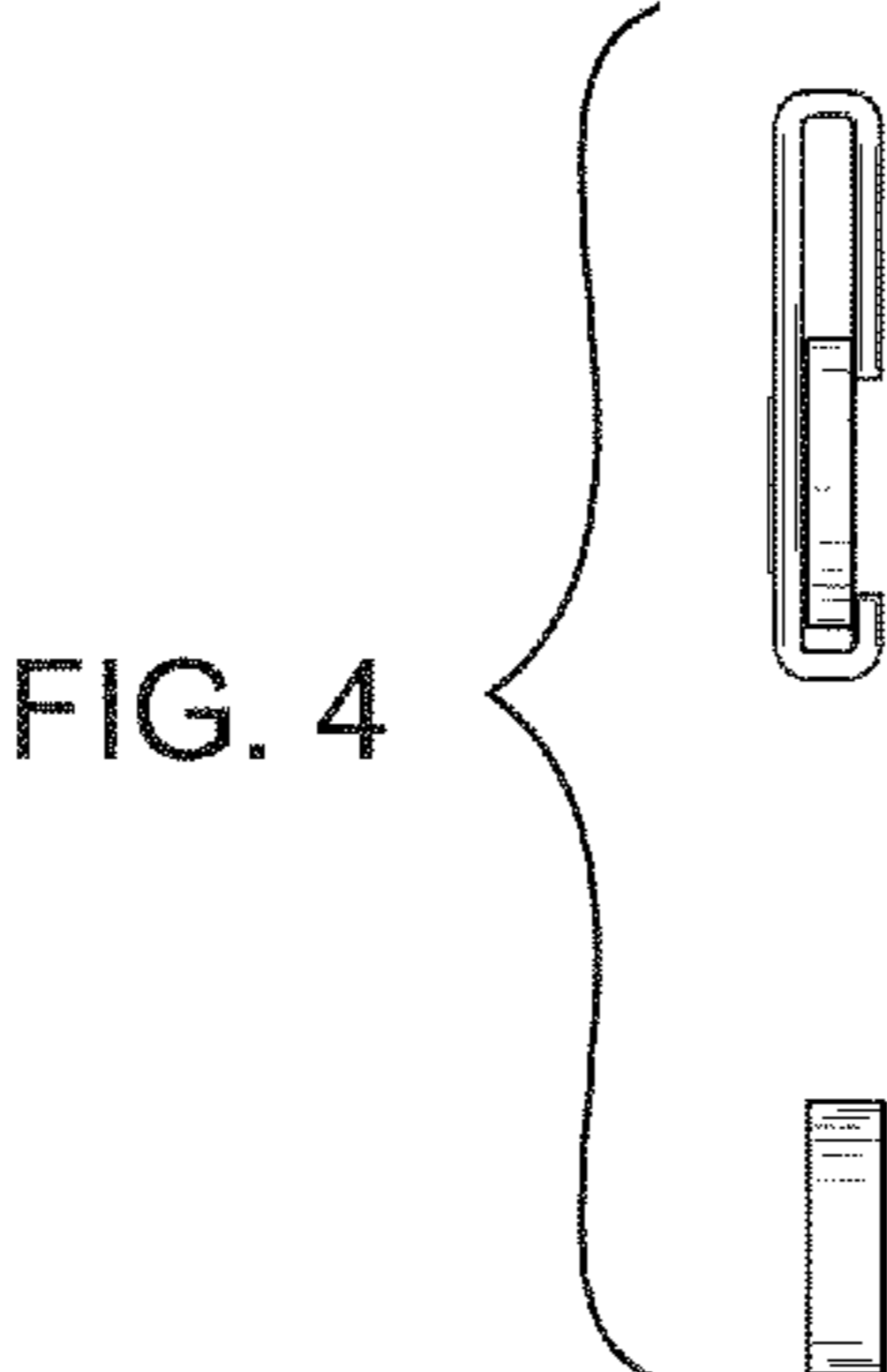


FIG. 5



FIG. 6