



US00D646955S

(12) **United States Design Patent**  
**Sanders et al.**

(10) **Patent No.:** **US D646,955 S**  
(45) **Date of Patent:** **\*\* Oct. 18, 2011**

(54) **BRACKET FOR CONSTRUCTING STAIR UNIT**

(75) Inventors: **Paul E. Sanders**, Arvada, CO (US);  
**Steven A. Mitchell**, Westminster, CO (US);  
**Richard M. Vose**, Northglenn, CO (US)

(73) Assignee: **Ascend Stair Company**, Commerce City, CO (US)

(\*\*) Term: **14 Years**

(21) Appl. No.: **29/364,054**

(22) Filed: **Jun. 17, 2010**

(51) **LOC (9) Cl.** ..... **08-05**

(52) **U.S. Cl.** ..... **D8/354**

(58) **Field of Classification Search** ..... D8/354,  
D8/380, 349, 382; 248/300, 237, 309.1;  
52/188, 182, 191, 702, 712, 745.06, 189,  
52/506.5, 586.1; 29/428, 525.01, 464; 249/14,  
249/208, 205; 403/169, 167

See application file for complete search history.

(56) **References Cited**

**U.S. PATENT DOCUMENTS**

1,848,085	A *	3/1932	Eisenschmidt	403/187
3,601,221	A	8/1971	Fuentes	
D256,663	S *	9/1980	Gilb	D8/354
4,464,870	A	8/1984	Crepeau	
D285,773	S *	9/1986	Cappel et al.	D8/380
4,757,653	A	7/1988	Anderholm	
4,819,391	A	4/1989	Tassin	
4,823,529	A	4/1989	Canfield	
5,131,197	A	7/1992	Varga	
D364,794	S *	12/1995	Eberschlag	D8/354
5,636,483	A *	6/1997	Wille	52/188
5,778,610	A	7/1998	Berg	
6,354,403	B1	3/2002	Truckner	
6,438,909	B2 *	8/2002	Birch et al.	52/182
D492,889	S *	7/2004	Craine	D8/354
6,758,016	B2	7/2004	Gobeil	

D500,666	S *	1/2005	Murphy et al.	D8/354
6,860,460	B2 *	3/2005	Rellergert	249/14
D511,086	S *	11/2005	Craine	D8/354
D523,735	S *	6/2006	Craine	D8/354
D558,039	S *	12/2007	Skinner	D8/382
D558,040	S *	12/2007	Skinner	D8/382
D558,041	S *	12/2007	Skinner	D8/382
D575,220	S *	8/2008	Pockalny	D12/223
D590,697	S *	4/2009	Townley	D8/354
D595,115	S *	6/2009	Royer	D8/354

(Continued)

**OTHER PUBLICATIONS**

“EZ Stairs Composite Trimming and Cleat Installation;” <http://www.ez-stairs.com/howitworks/composite.htm>.

*Primary Examiner* — Mark Goodwin

(74) *Attorney, Agent, or Firm* — Dan Shifrin

(57) **CLAIM**

The ornamental design for a bracket for constructing a stair unit, as substantially shown and described.

**DESCRIPTION**

FIG. 1 is a top perspective view of the bracket for constructing stair unit of the present invention;

FIG. 2 is a first bottom perspective view of the bracket of the present invention;

FIG. 3 is a second bottom perspective view of the bracket of the present invention;

FIG. 4 is a top view of the bracket of the present invention;

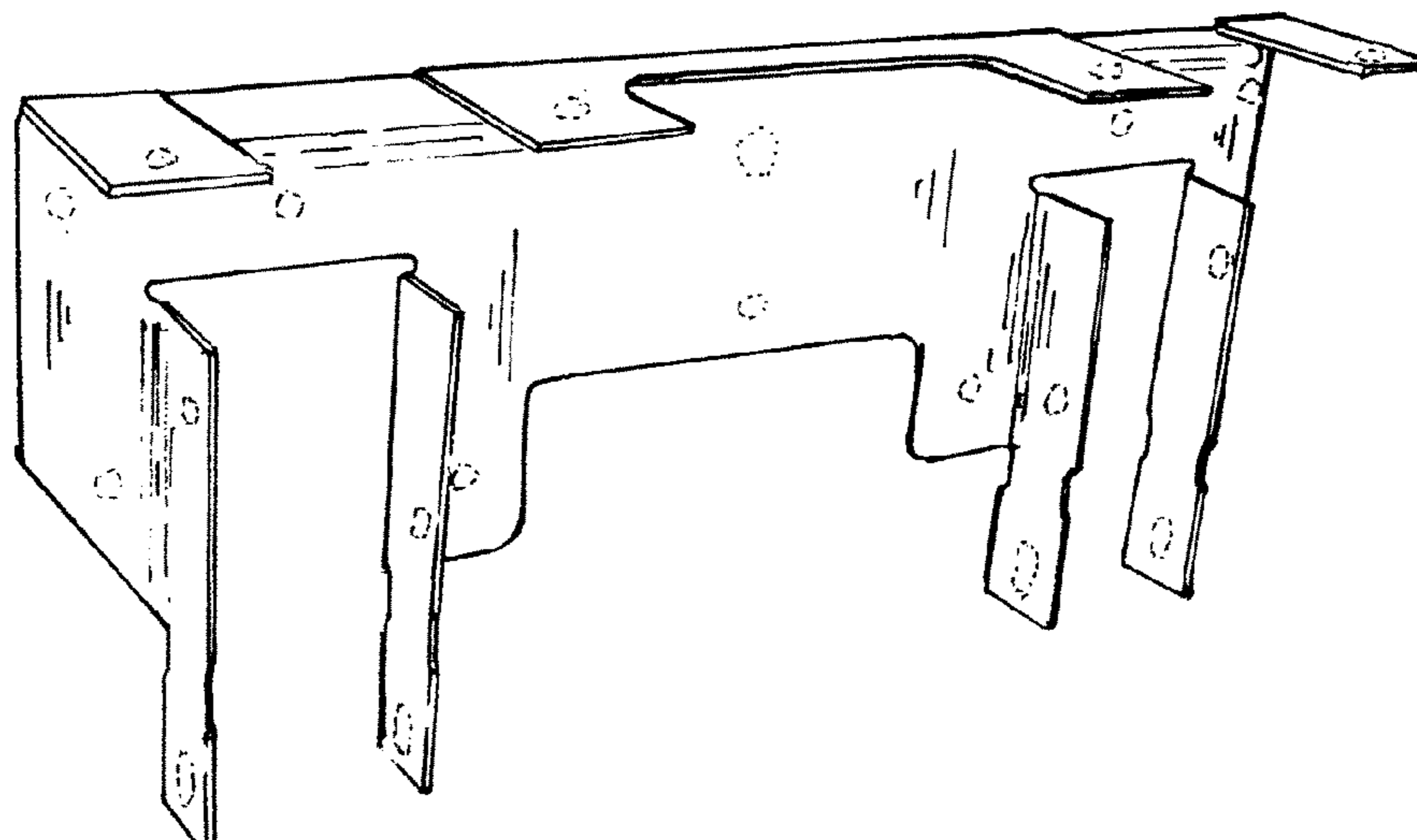
FIG. 5 is a bottom view of the bracket of the present invention;

FIG. 6 is a front elevation view of the bracket of the present invention, the rear elevation view being a mirror image thereof; and,

FIG. 7 is a right side view of the bracket of the present invention, the left side view being a mirror image thereof.

Broken and dotted lines in the figures are for the purpose of illustrating portions of the bracket for constructing a stair unit and form no part of the claimed design.

**1 Claim, 3 Drawing Sheets**



# US D646,955 S

Page 2

---

## U.S. PATENT DOCUMENTS

D638,282 S *	5/2011	Robinson .....	D8/366	2005/0160688 A1 *	7/2005	Truckner et al. ....	52/182
7,946,085 B2 *	5/2011	Prins .....	52/191	2008/0040992 A1 *	2/2008	Greenlee et al. ....	52/188
2002/0124492 A1 *	9/2002	Gobeil .....	52/191	2009/0205267 A1 *	8/2009	Prins .....	52/105
2004/0104331 A1 *	6/2004	Rellergert .....	249/14	2011/0167740 A1 *	7/2011	Truckner .....	52/191

\* cited by examiner

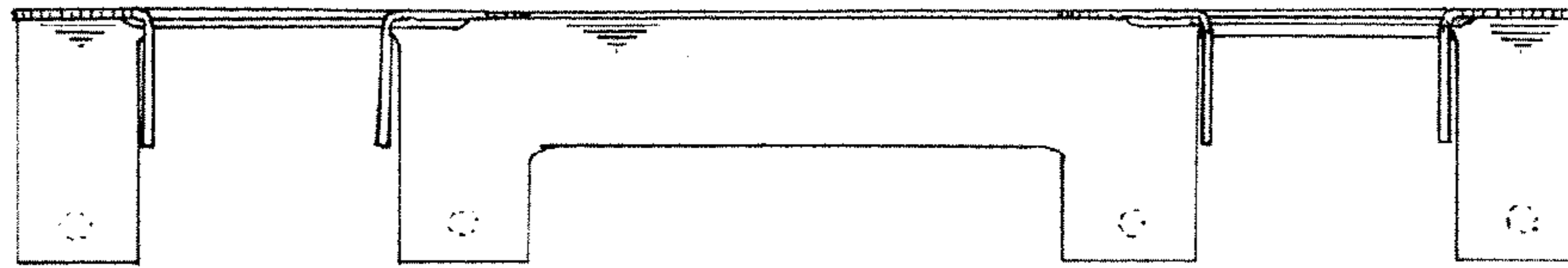


FIG. 1

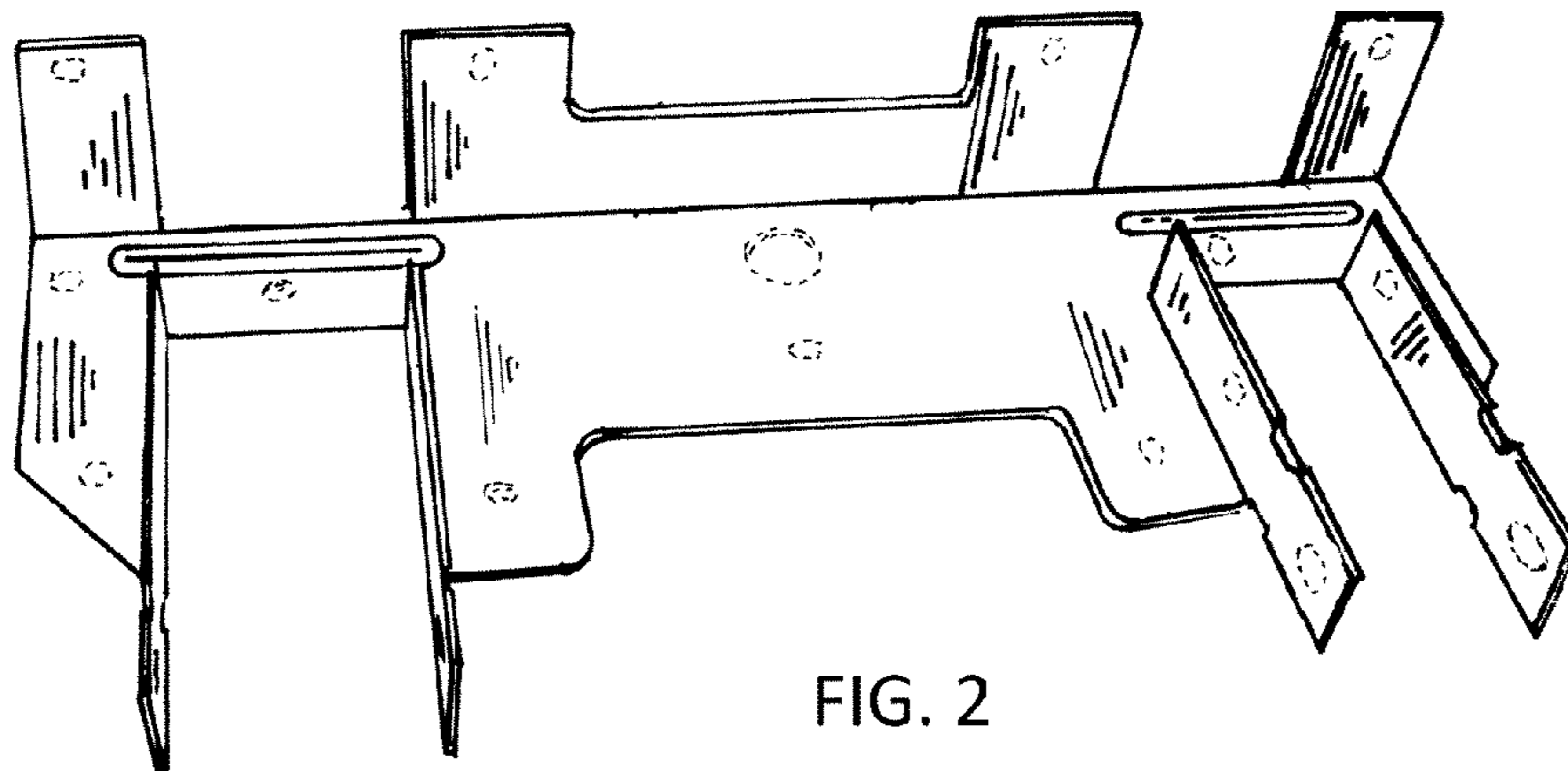


FIG. 2

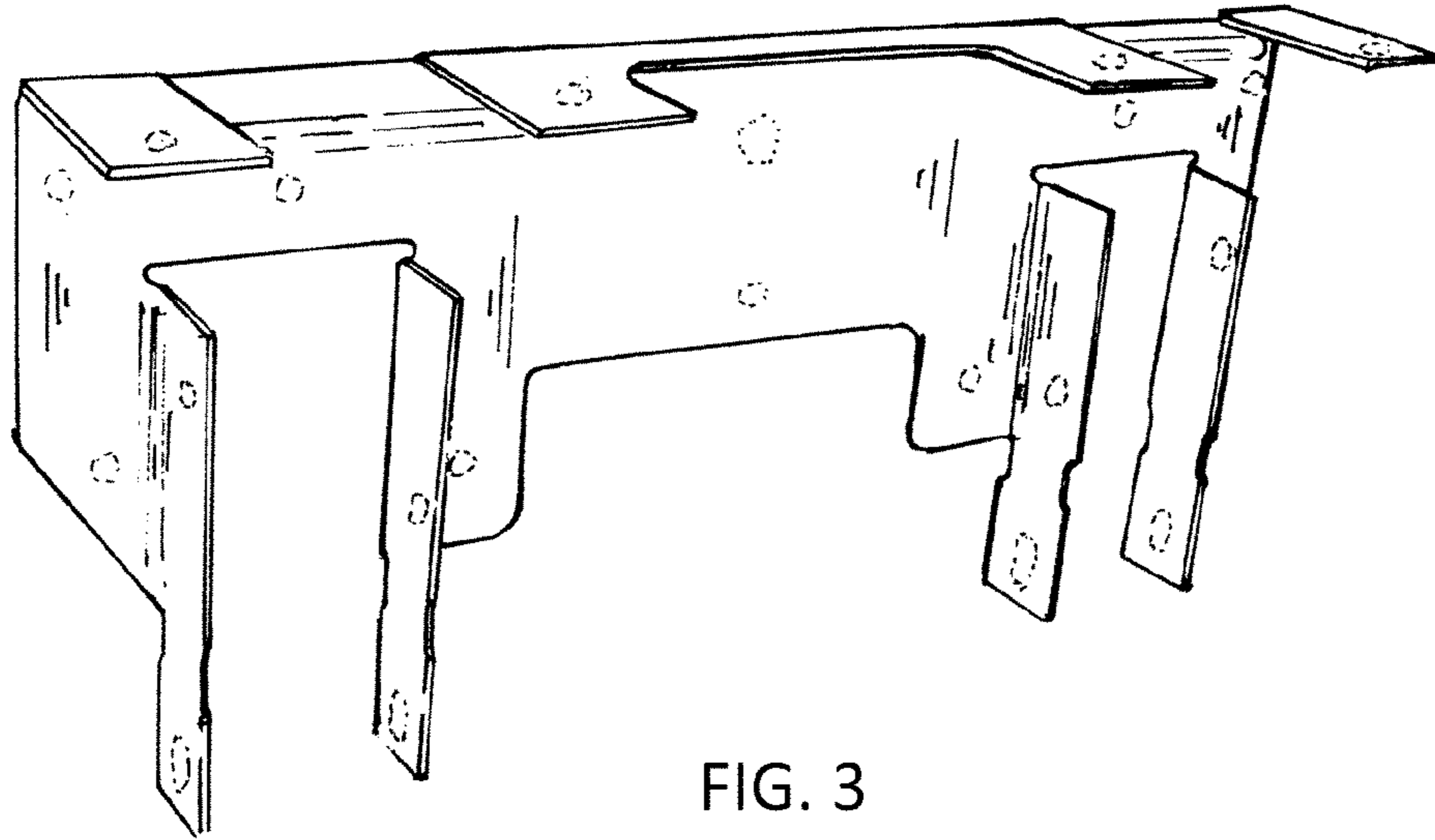


FIG. 3

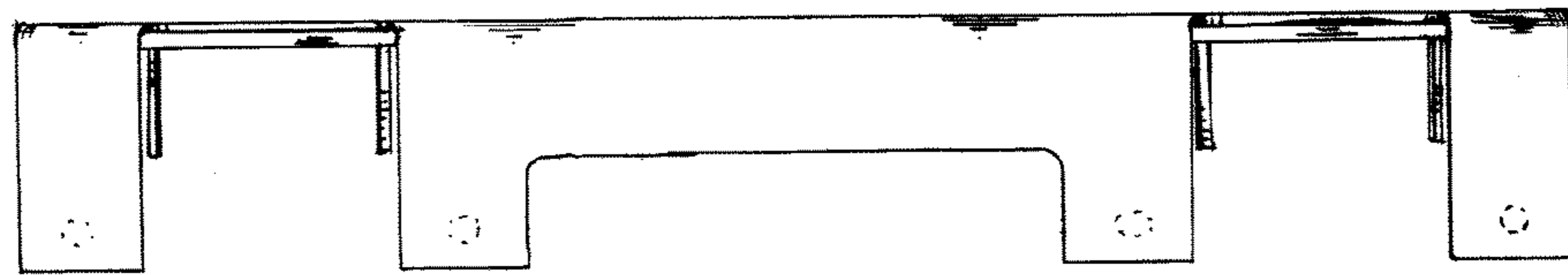


FIG. 4

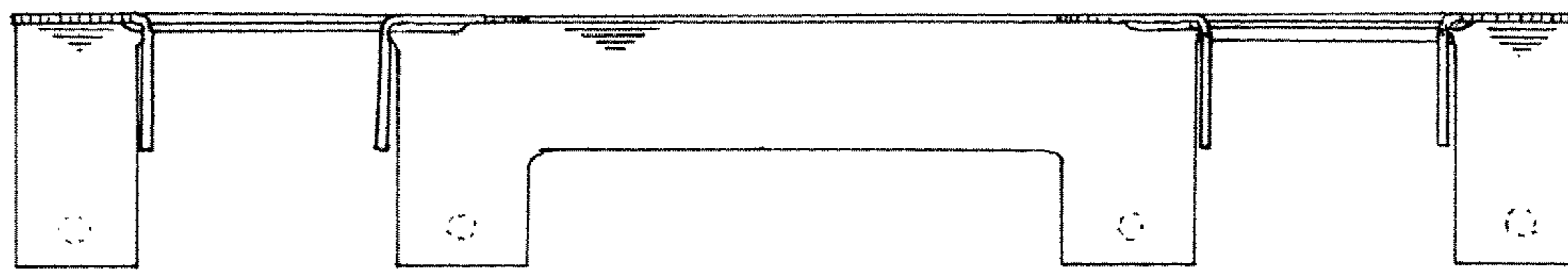


FIG. 5

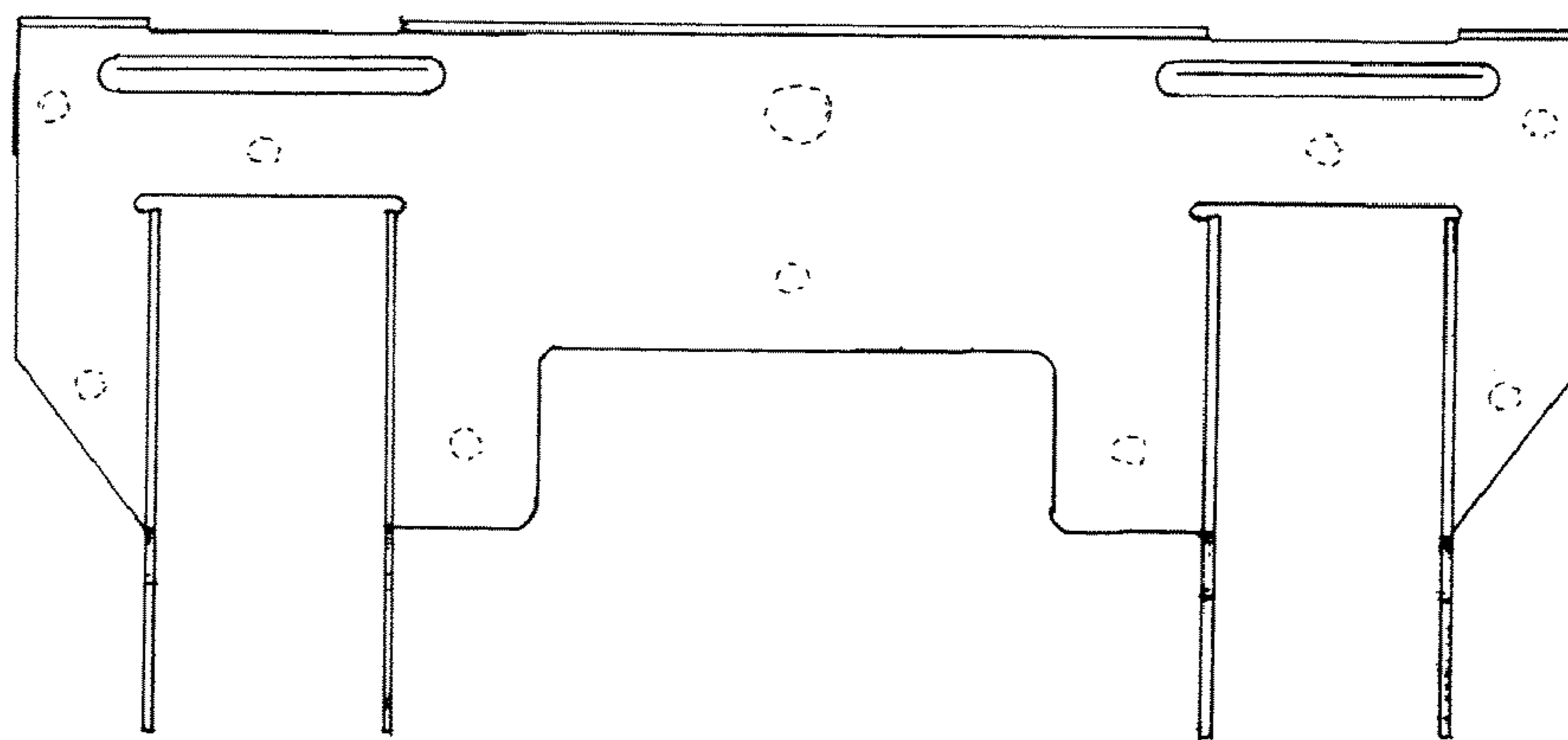


FIG. 6

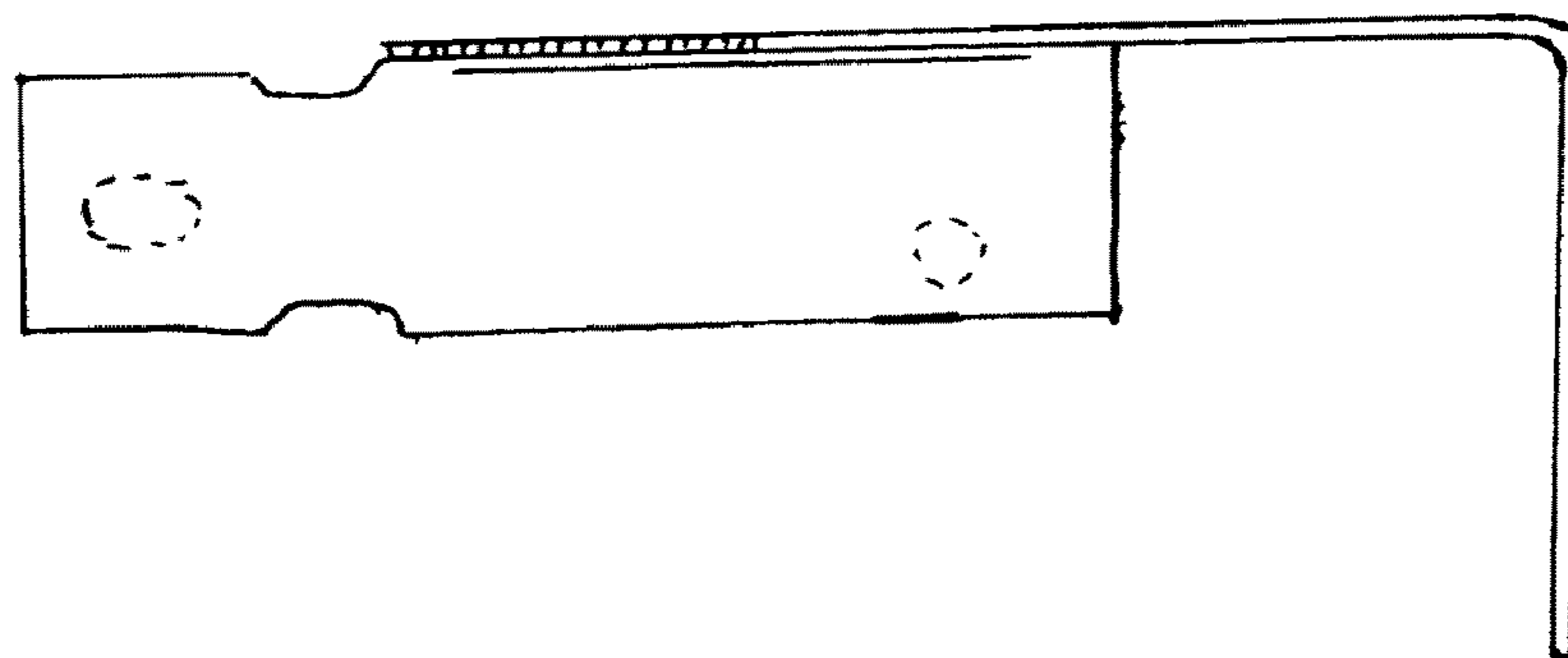


FIG. 7