



US00D646954S

(12) **United States Design Patent**  
**Azelton et al.**

(10) **Patent No.:** **US D646,954 S**  
(45) **Date of Patent:** **\*\* Oct. 18, 2011**

(54) **FACE PLATE**

(75) Inventors: **Kerry Azelton**, Pleasanton, CA (US);  
**Ryan Hood**, Pleasanton, CA (US);  
**Tatyana Balte**, Pleasanton, CA (US)

(73) Assignee: **The Clorox Company**, Oakland, CA (US)

(\*\*) Term: **14 Years**

(21) Appl. No.: **29/344,576**

(22) Filed: **Sep. 30, 2009**

(51) **LOC (9) Cl.** ..... **11-05**

(52) **U.S. Cl.** ..... **D8/350**

(58) **Field of Classification Search** ..... D8/350–353;  
D13/156, 177, 152, 154, 158, 173, 169, 171,  
D13/139.1–139.8, 146, 147; D14/159, 257,  
D14/137, 188; D25/60; D23/366; D10/50,  
D10/103, 60; D6/518; 200/303; 248/273;  
292/357; 174/66, 67; 220/241, 3.92, 3.5–3.8,  
220/242; 439/536, 535, 892

See application file for complete search history.

(56) **References Cited**

**U.S. PATENT DOCUMENTS**

D358,559 S *	5/1995	Highman et al. ....	D10/103
D359,458 S *	6/1995	Pierret et al. ....	D10/50
D359,459 S *	6/1995	Summa et al. ....	D10/50
D381,958 S *	8/1997	Chen .....	D13/154
D441,637 S *	5/2001	Jaag et al. ....	D8/353

D450,562 S *	11/2001	Clark .....	D8/353
D463,969 S *	10/2002	Luu .....	D8/353
D495,013 S *	8/2004	Hussaini et al. ....	D21/324
D546,604 S *	7/2007	Omdoll et al. ....	D6/518
D579,249 S *	10/2008	Omdoll et al. ....	D6/518
D598,305 S *	8/2009	Li et al. ....	D10/50
D611,799 S *	3/2010	Harris .....	D8/353
D614,975 S *	5/2010	Fisher .....	D10/50
D615,034 S *	5/2010	Baker et al. ....	D13/107
D631,146 S *	1/2011	Shu et al. ....	D23/366
D633,192 S *	2/2011	Valentino et al. ....	D23/366
D637,188 S *	5/2011	Aikenhead .....	D14/257
2004/0262410 A1 *	12/2004	Hull .....	236/91 R

\* cited by examiner

*Primary Examiner* — Mark Goodwin

(74) *Attorney, Agent, or Firm* — Erin Collins

(57) **CLAIM**

The ornamental design for a face plate, as shown and described.

**DESCRIPTION**

FIG. 1 is a perspective view of the face plate design of the present invention;

FIG. 2 is a front view thereof;

FIG. 3 is a left side view thereof;

FIG. 4 is a right view thereof;

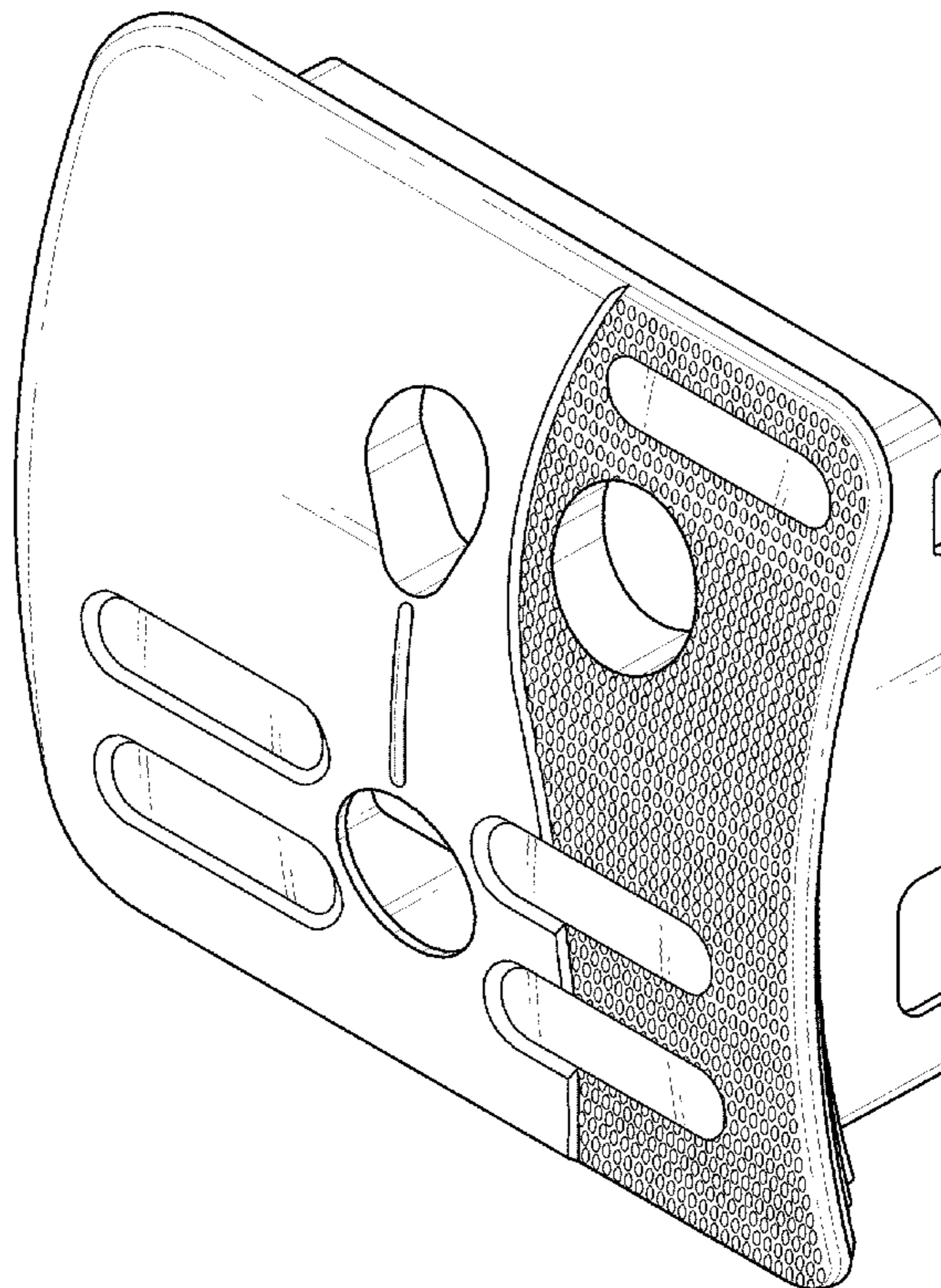
FIG. 5 is a top view thereof;

FIG. 6 is a bottom view thereof; and,

FIG. 7 is rear view thereof.

The broken lines in the drawings are included for the purpose of illustration and form no part of the claimed design.

**1 Claim, 4 Drawing Sheets**



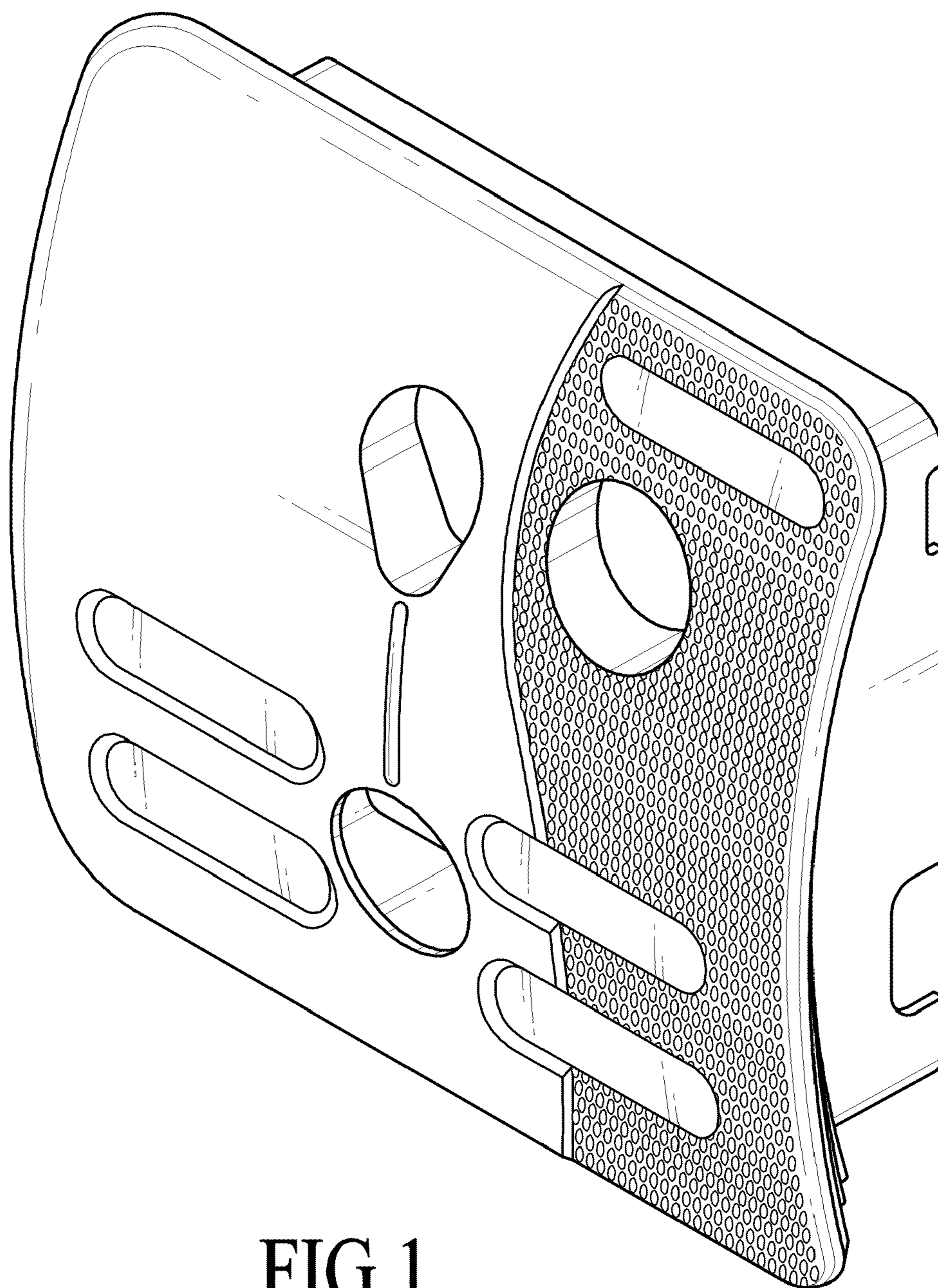


FIG. 1

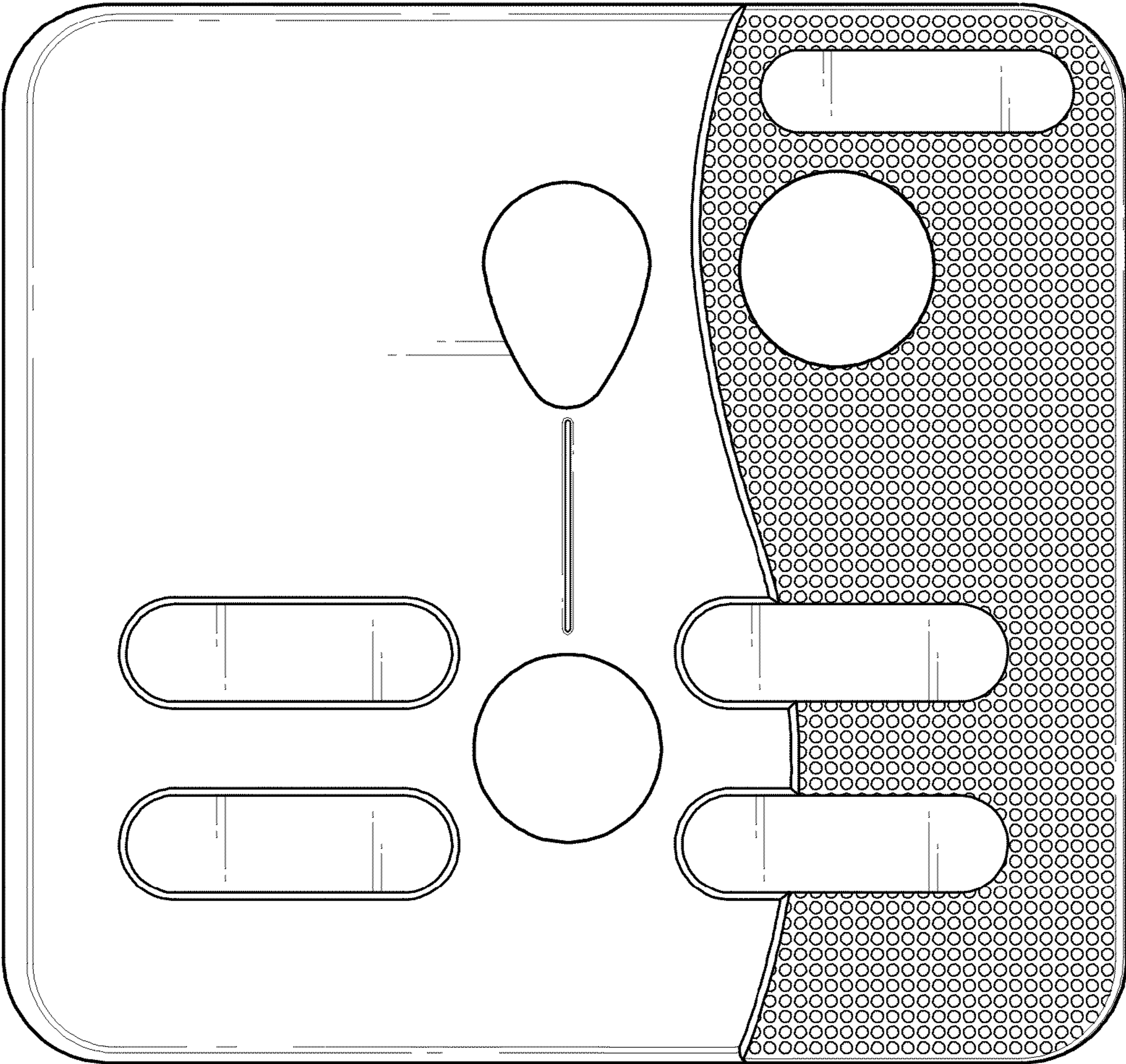


FIG.2

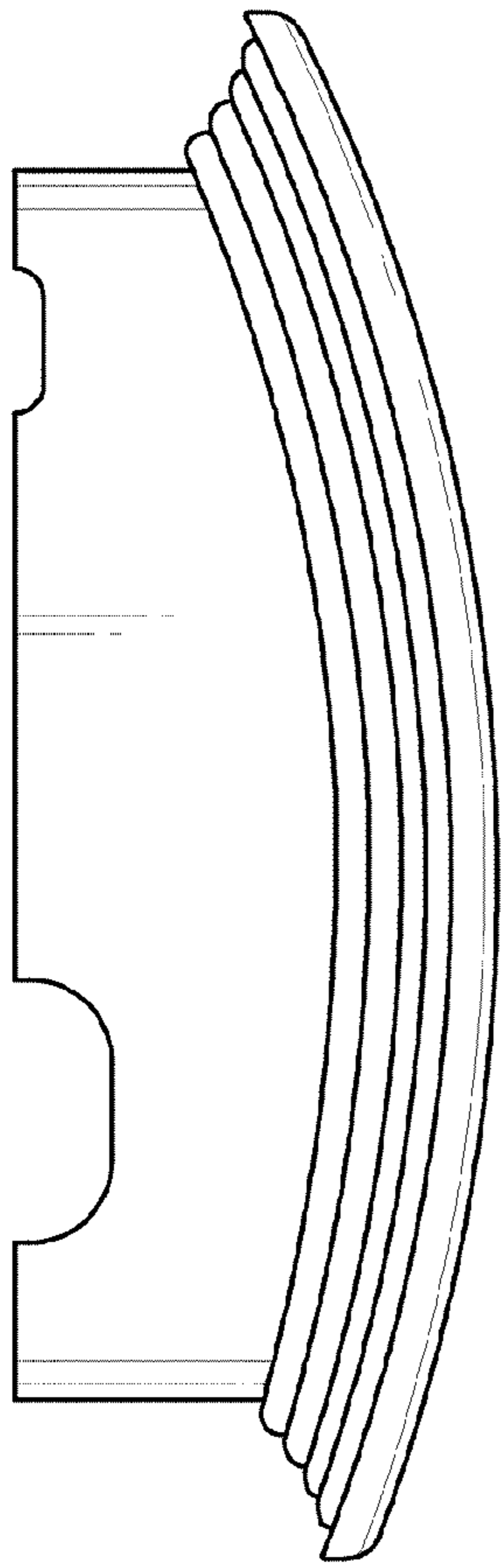


FIG. 3

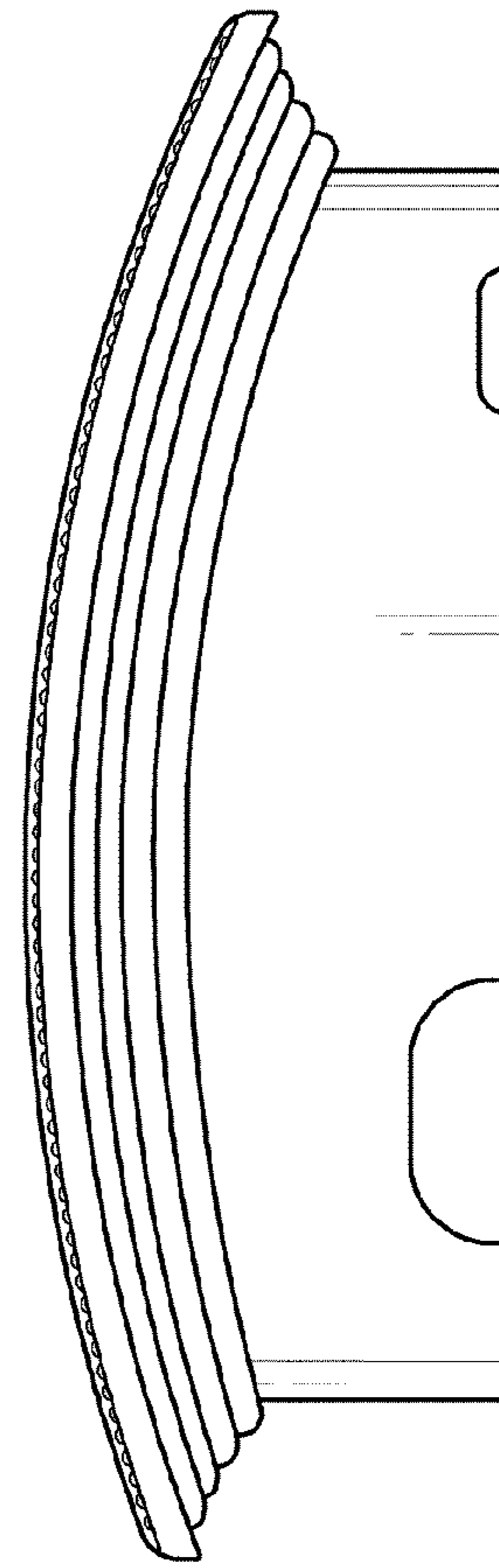


FIG. 4

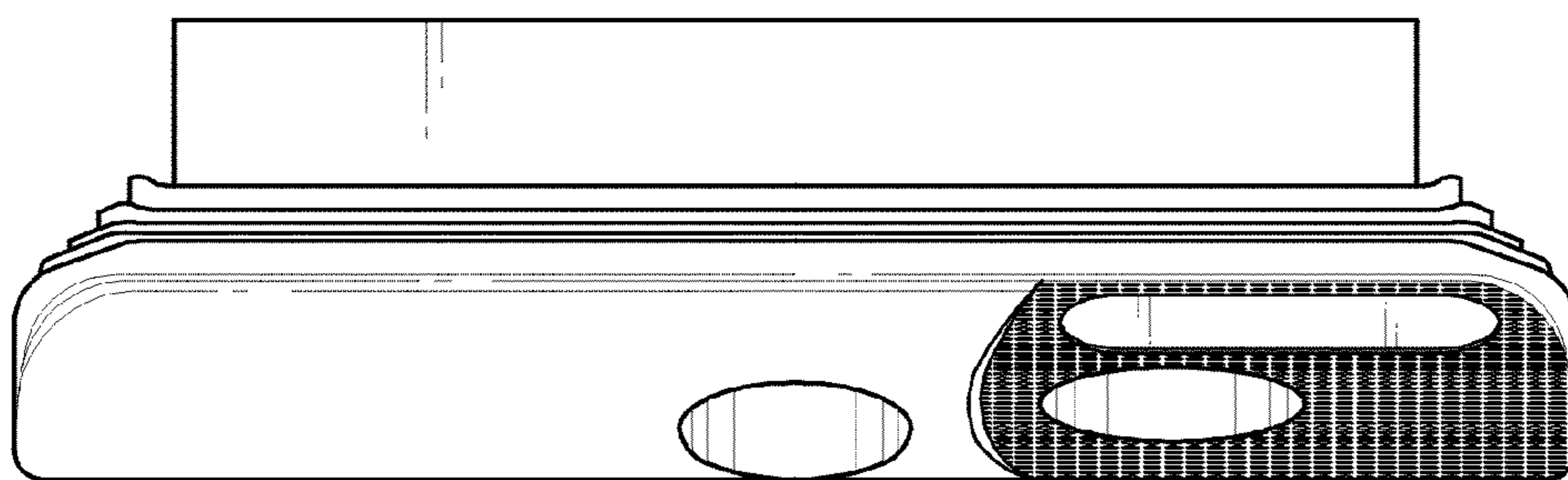


FIG. 5

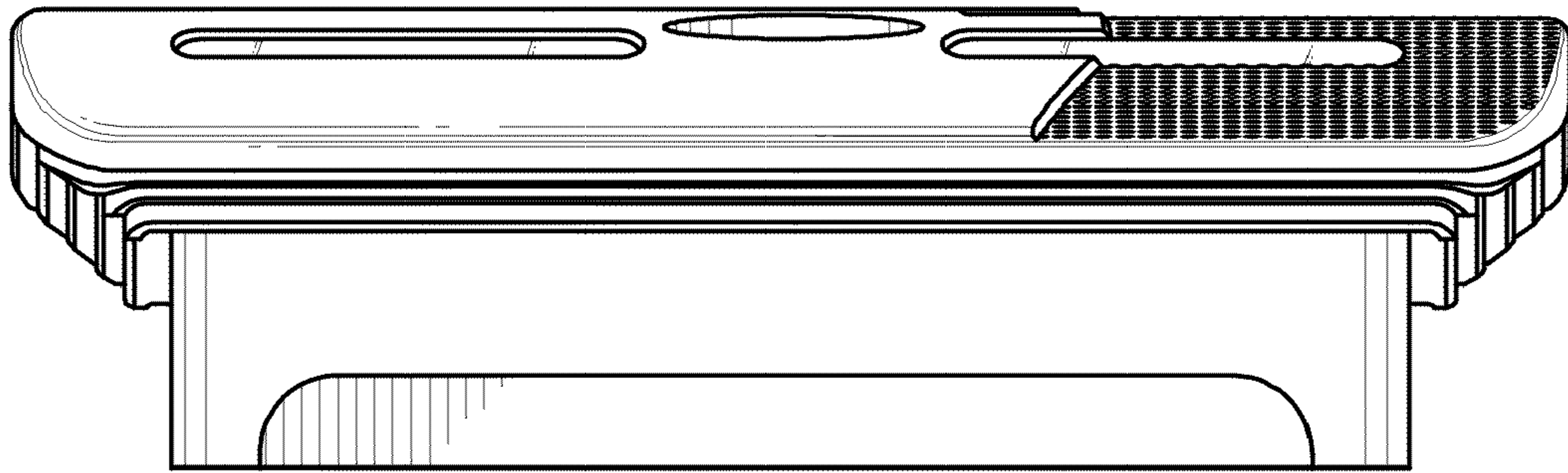


FIG. 6

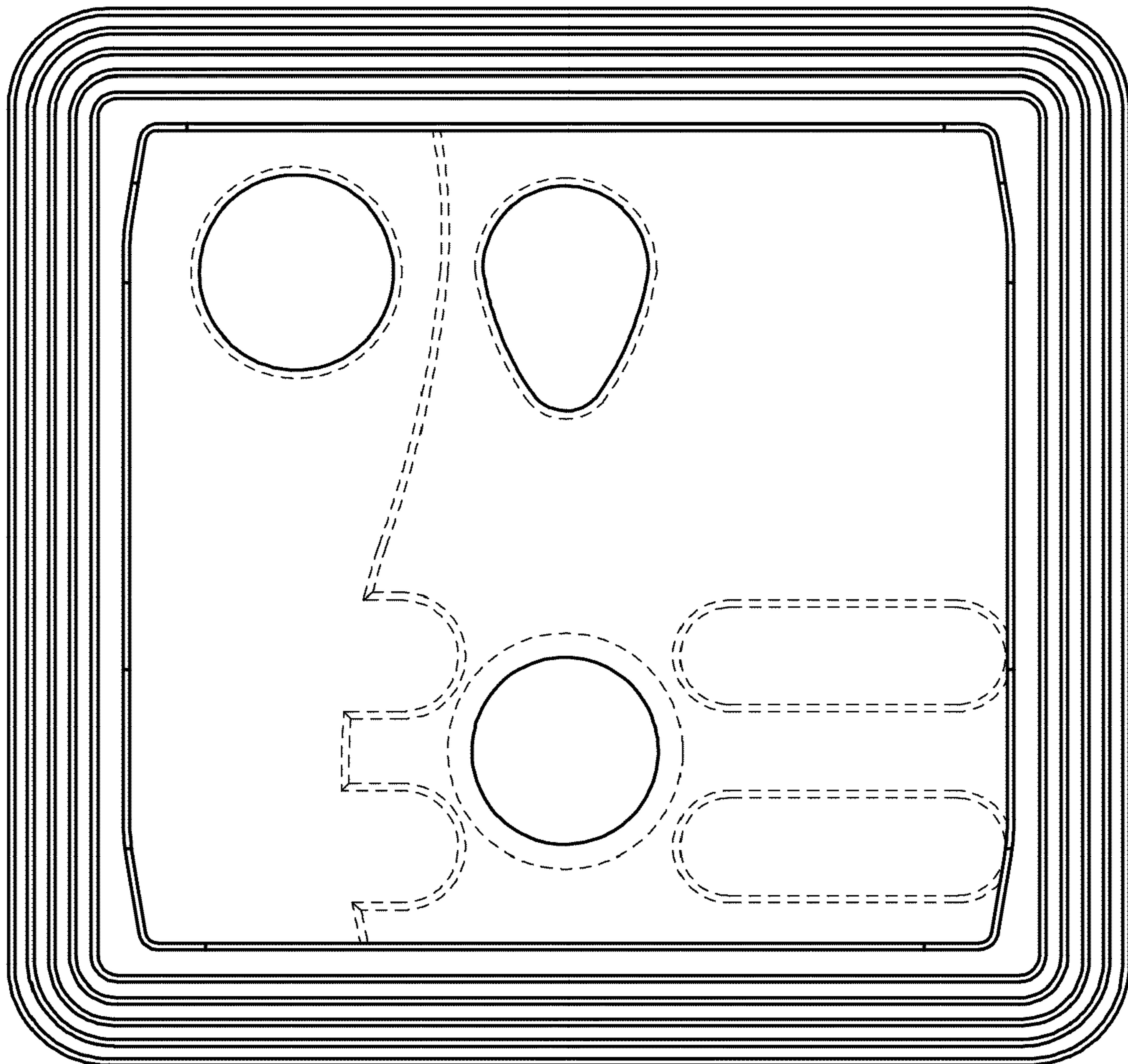


FIG. 7