



US00D646952S

(12) **United States Design Patent**
Plato et al.

(10) **Patent No.:** **US D646,952 S**

(45) **Date of Patent:** **** Oct. 18, 2011**

(54) **LOCK**
(75) Inventors: **Lea Marie Plato**, Milwaukee, WI (US);
Dean A. Paulson, Oak Creek, WI (US)
(73) Assignee: **Master Lock Company LLC**, Oak
Creek, WI (US)
(**) Term: **14 Years**
(21) Appl. No.: **29/375,960**
(22) Filed: **Sep. 30, 2010**
(51) **LOC (9) Cl.** **08-07**
(52) **U.S. Cl.** **D8/334**
(58) **Field of Classification Search** D8/330–347;
70/14, 20–28, 31, 32, 39, 41, 52–56, 86,
70/314, 423, DIG. 43, DIG. 56, 38 A, DIG. 3,
70/DIG. 4
See application file for complete search history.

6,718,803 B2 * 4/2004 Knoll 70/26
D512,901 S 12/2005 Haber
6,993,943 B1 2/2006 Chang
7,047,772 B2 5/2006 Yu
D528,401 S 9/2006 Ruan
D533,764 S 12/2006 Heppner
D537,703 S 3/2007 Kearns et al.
D541,228 S 4/2007 Thursfield
D541,630 S 5/2007 Blomstrom
D545,177 S 6/2007 Vito
D549,552 S 8/2007 Huang
D567,628 S * 4/2008 Rohde et al. D8/333
D569,226 S 5/2008 Brewster et al.
D582,251 S 12/2008 Mackey et al.
D594,311 S * 6/2009 Stevens D8/334
D594,731 S * 6/2009 Plato D8/334
D605,494 S * 12/2009 Plato D8/334
D629,280 S * 12/2010 Plato D8/334
D637,062 S * 5/2011 Plato D8/334

* cited by examiner

Primary Examiner — Prabhakar Deshmukh

(74) *Attorney, Agent, or Firm* — Calfee, Halter & Griswold
LLP

(56) **References Cited**

U.S. PATENT DOCUMENTS

548,757 A 10/1895 Kellogg
1,239,010 A 9/1917 Hodges
1,415,327 A 5/1922 Fonos
1,866,273 A 7/1932 Sinner
1,902,214 A 3/1933 Buettner et al.
2,132,201 A 10/1938 Allman
3,952,559 A 4/1976 Atkinson
4,224,813 A 9/1980 Hampton
D276,408 S 11/1984 Zabel et al.
4,754,626 A * 7/1988 Siegel 70/32
5,345,794 A * 9/1994 Jenks 70/14
5,572,890 A 11/1996 Carpenter
D397,026 S 8/1998 Drake
D416,467 S 11/1999 Castellanos et al.
D426,763 S 6/2000 Adler et al.
D427,884 S 7/2000 Castellanos et al.
D433,314 S 11/2000 Mimlitch et al.
D435,428 S 12/2000 Ling
D455,639 S 4/2002 McDaid et al.
6,401,501 B1 6/2002 Kajuch et al.
D476,216 S 6/2003 Vito

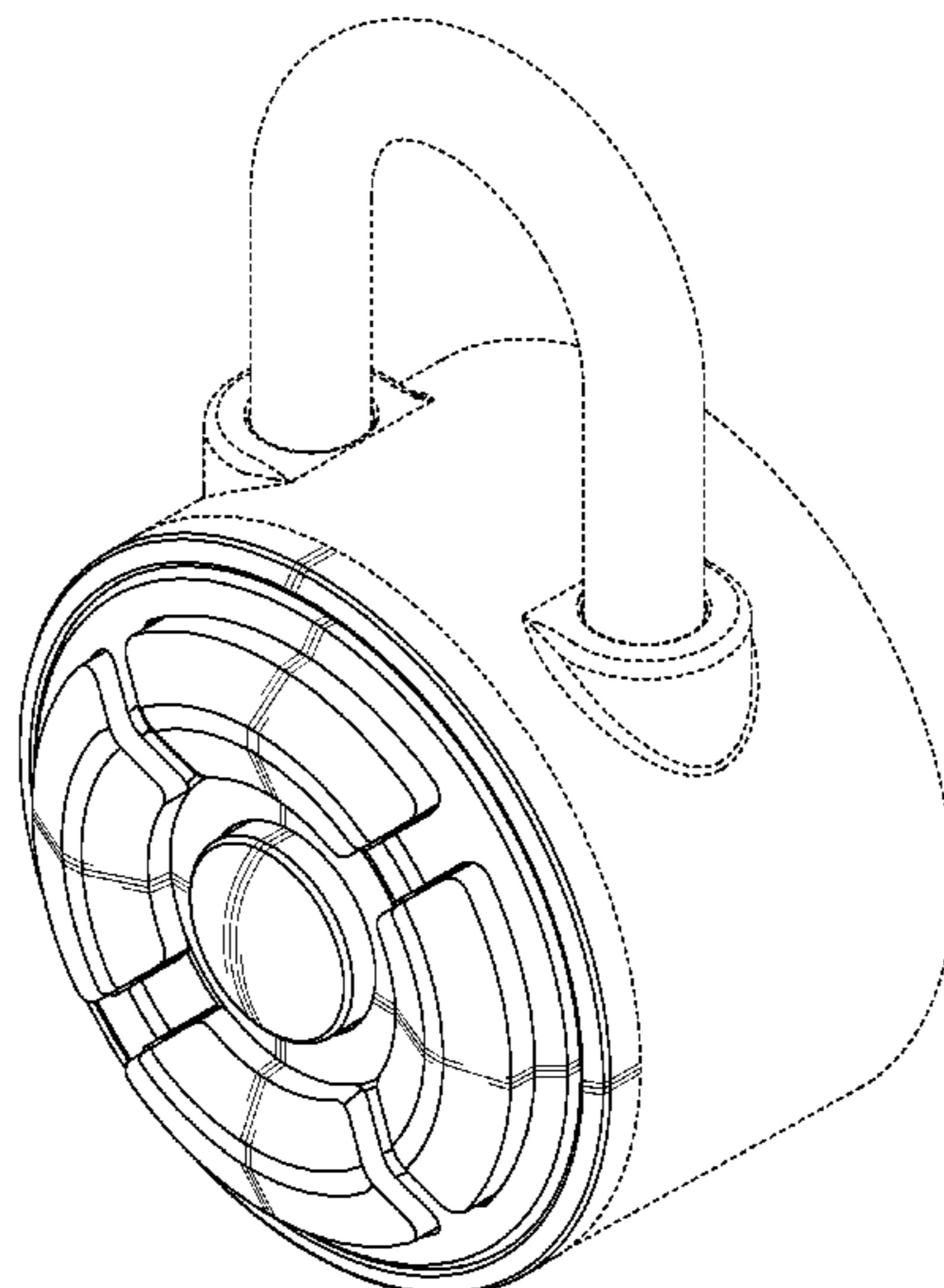
(57) **CLAIM**

We claim the ornamental design for a lock, as shown and
described.

DESCRIPTION

FIG. 1 is a front perspective view of a lock showing the new
design;
FIG. 2 is a top view of the lock of FIG. 1;
FIG. 3 is a front view of the lock of FIG. 1;
FIG. 4 is a bottom view of the lock of FIG. 1;
FIG. 5 is a rear view of the lock of FIG. 1;
FIG. 6 is a left side view of the lock of FIG. 1; and,
FIG. 7 is a right side view of the lock of FIG. 1.
The portions of the Figures shown in phantom lines either
identify boundaries of the claimed design, or are for illustra-
tive purpose only. In either case, the phantom lines form no
part of the claimed design.

1 Claim, 4 Drawing Sheets



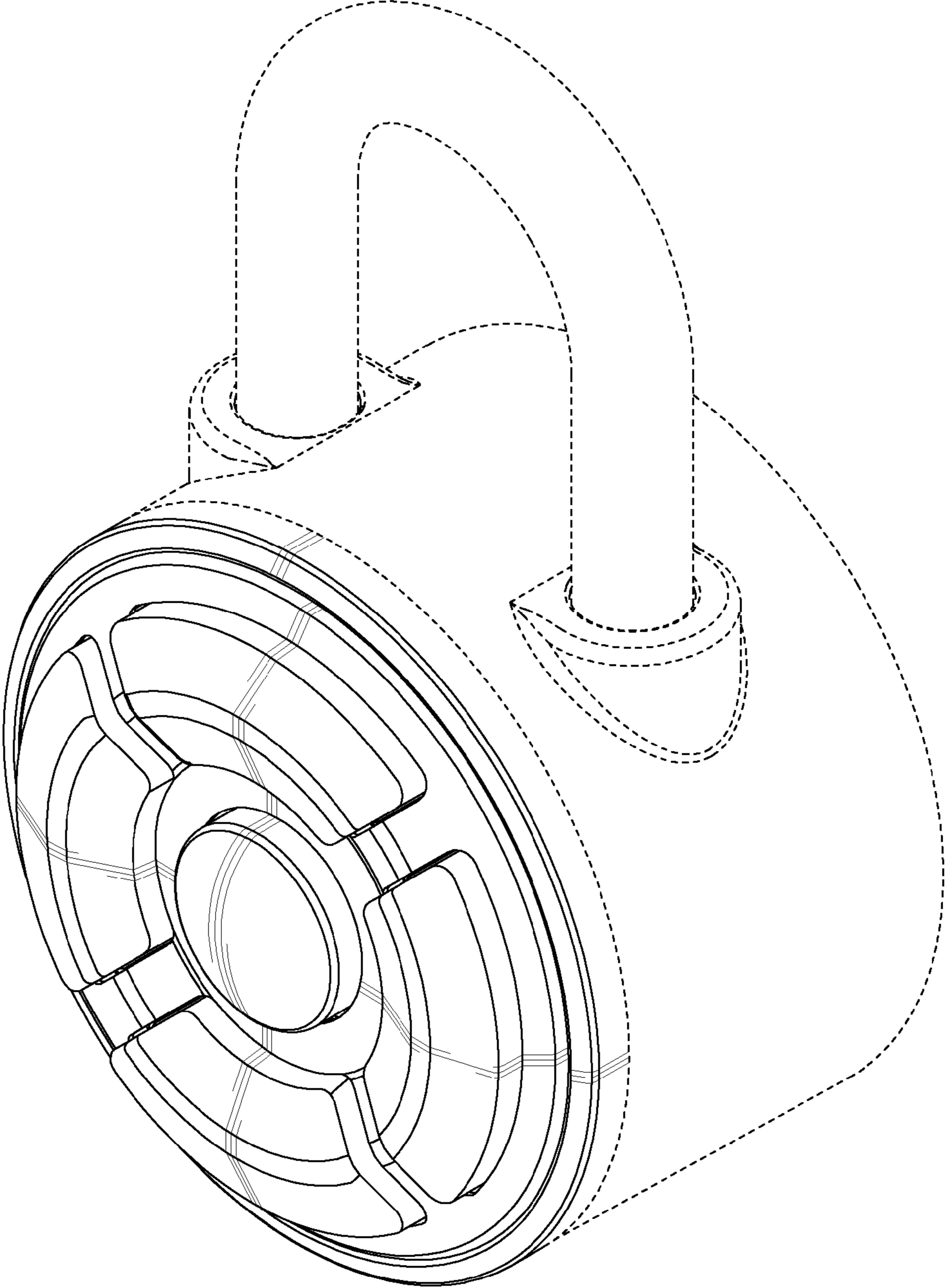


FIG. 1

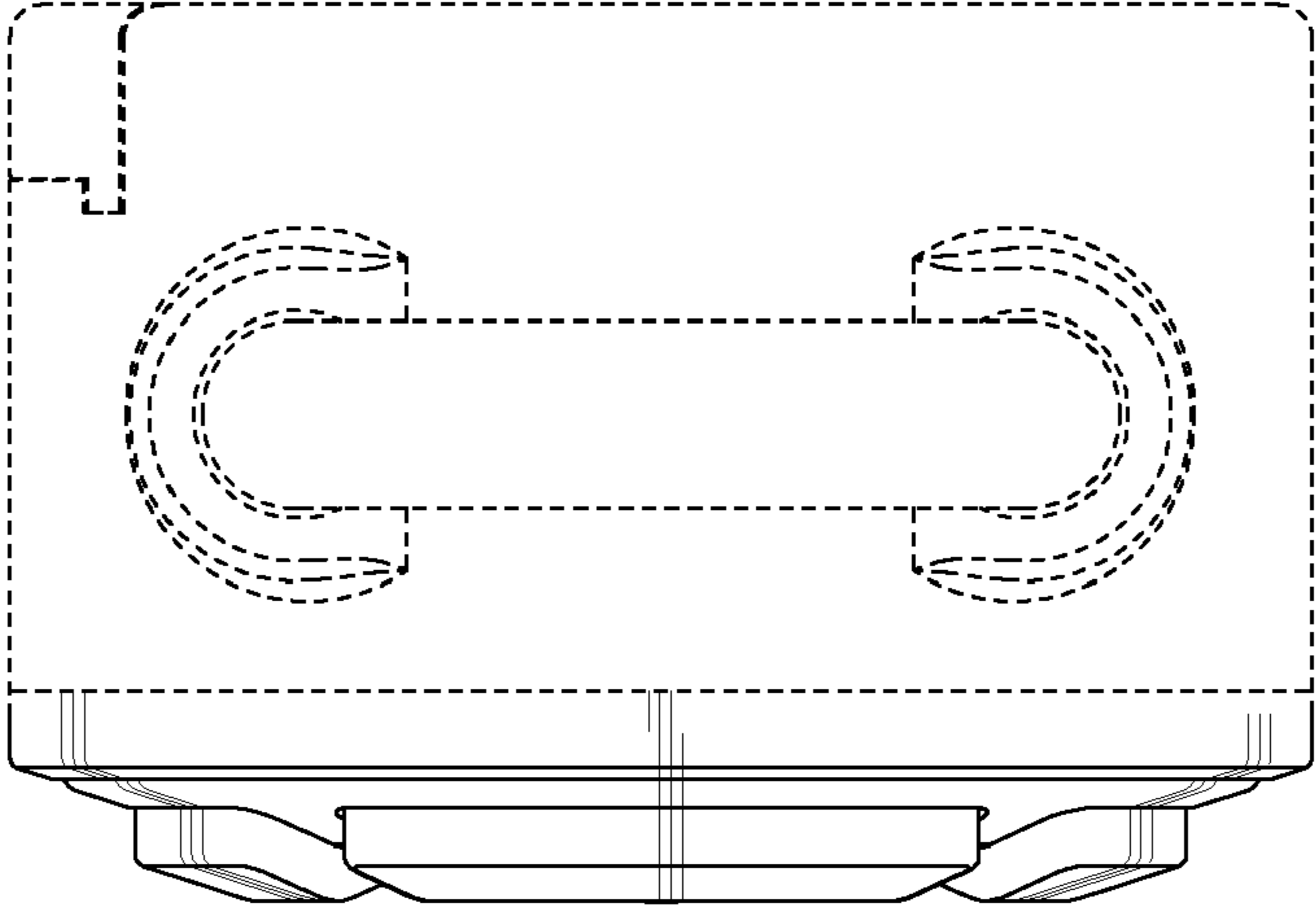


FIG. 2

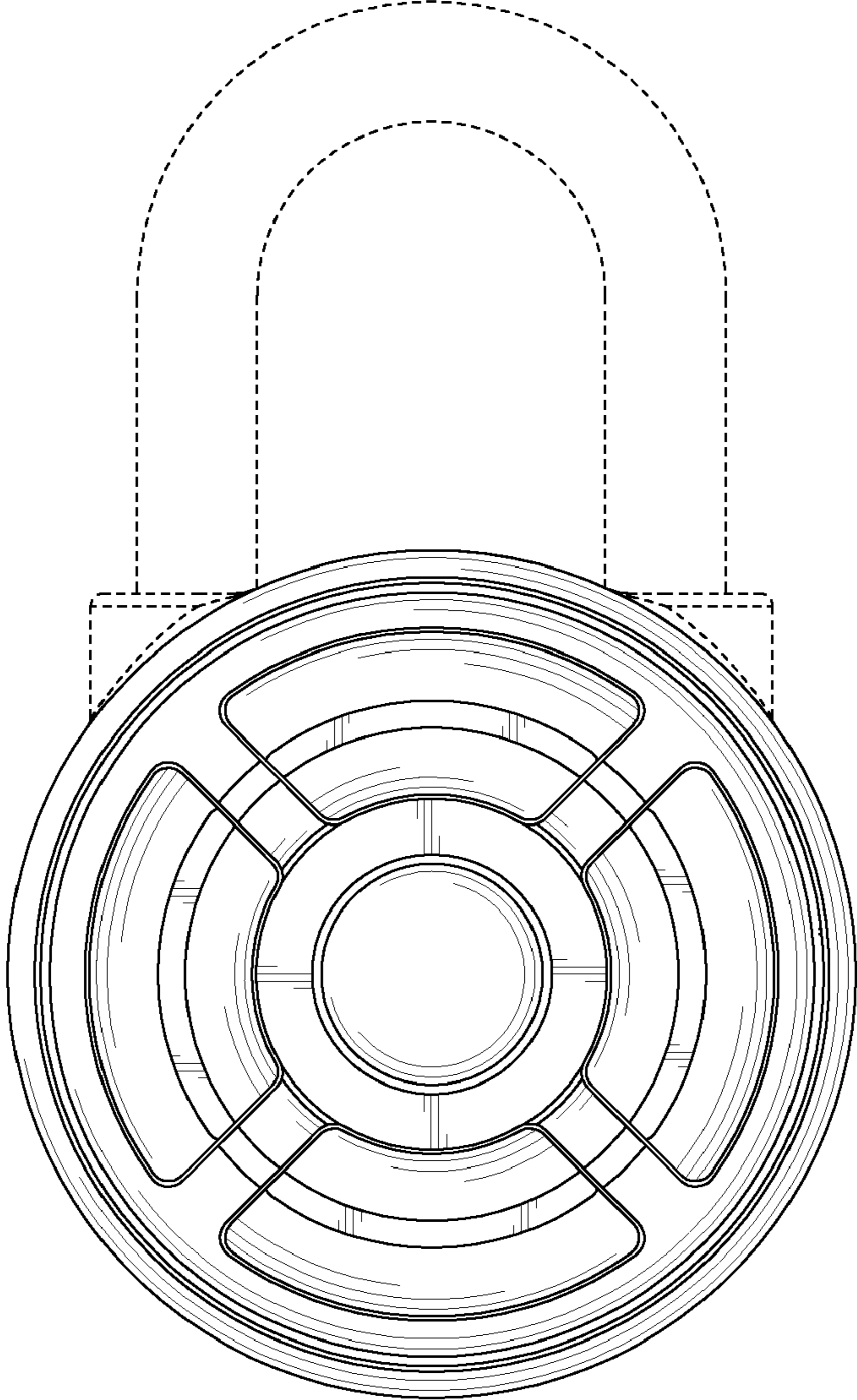


FIG. 3

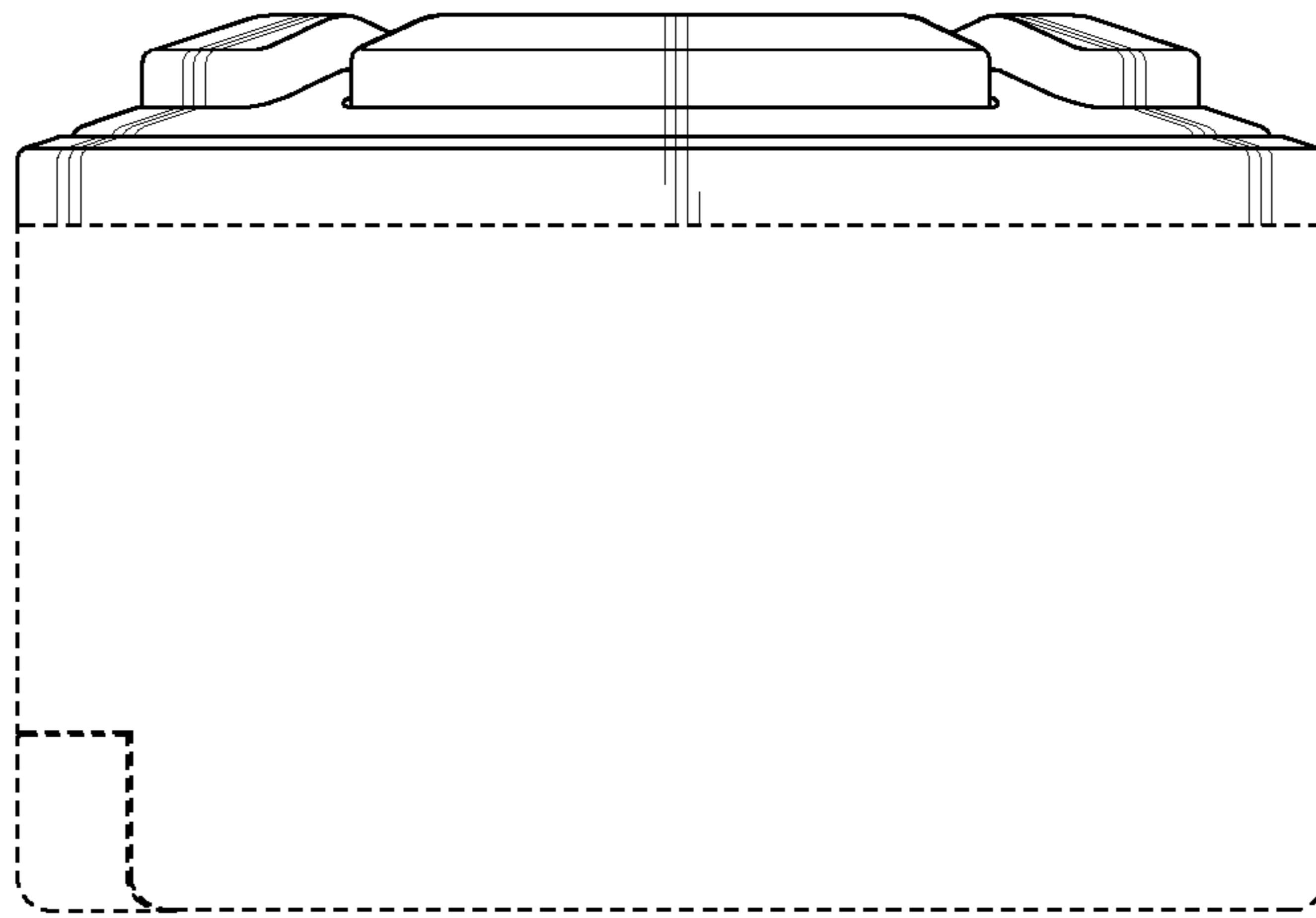


FIG. 4

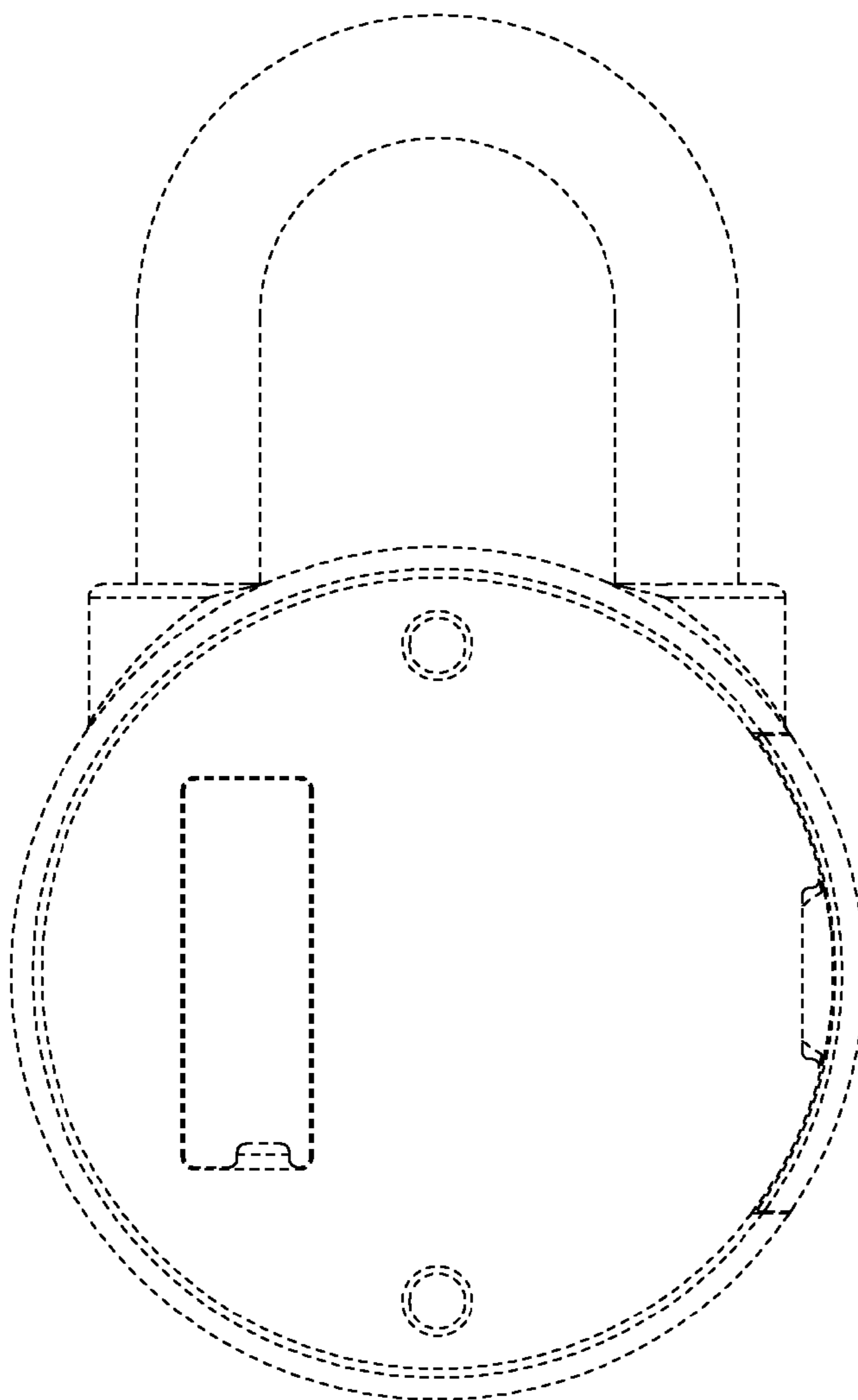


FIG. 5

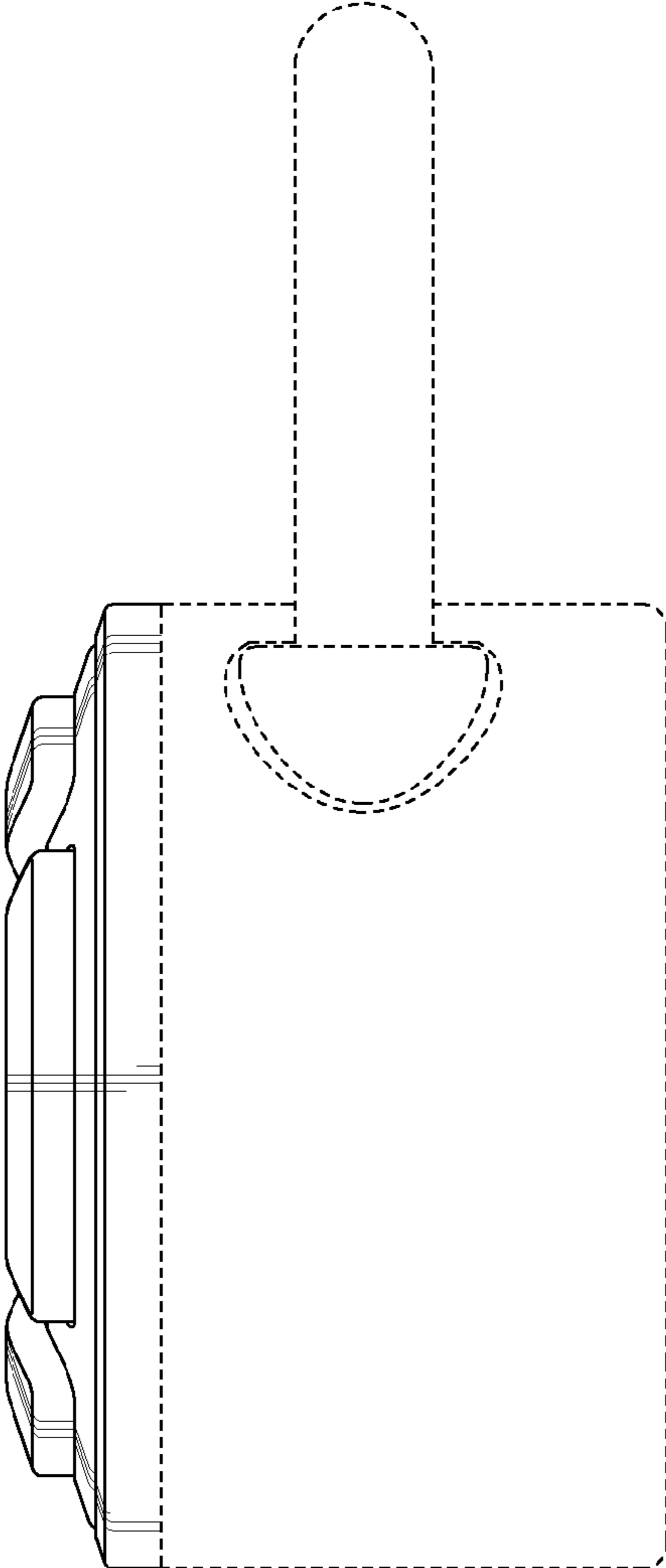


FIG. 6

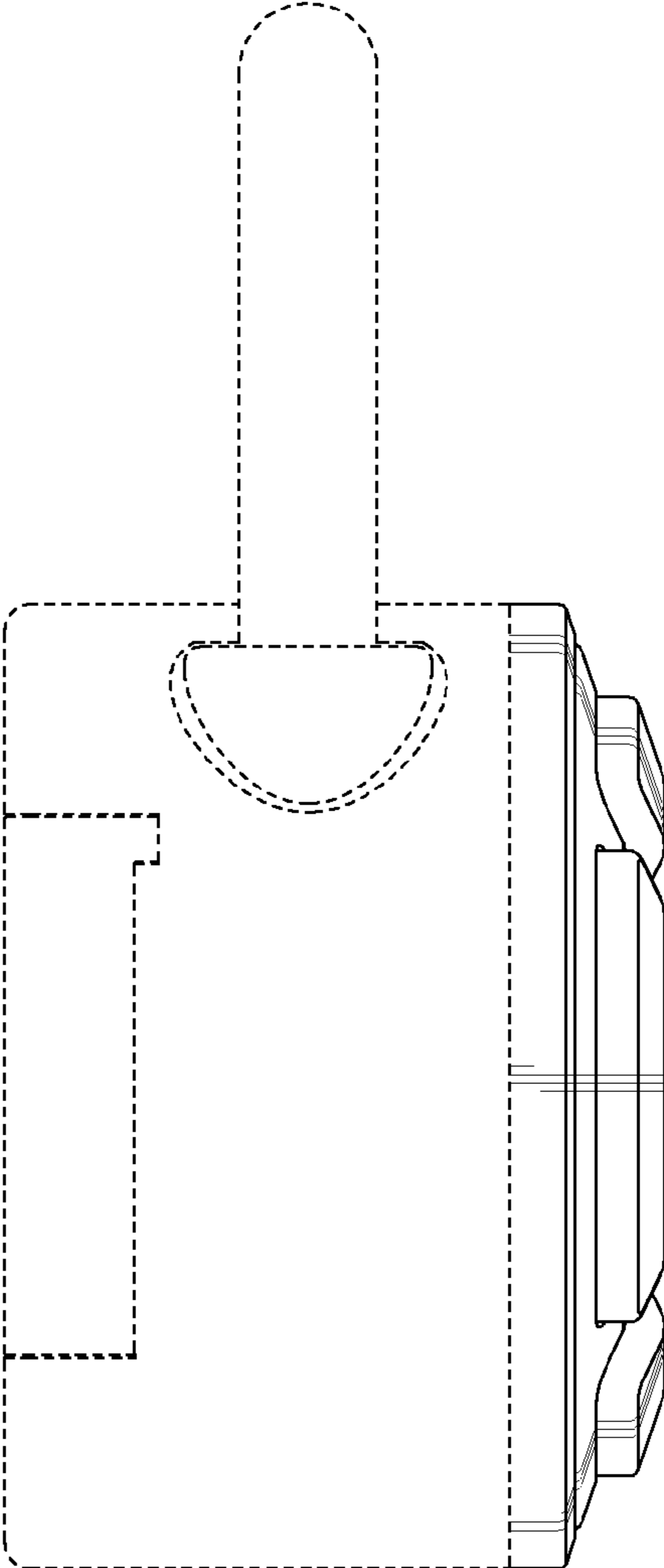


FIG. 7