



US00D646951S

(12) **United States Design Patent**  
**Tsai**

(10) **Patent No.:** **US D646,951 S**

(45) **Date of Patent:** **\*\* Oct. 18, 2011**

(54) **TRAILER LOCK**

(75) Inventor: **Chin-Hui Tsai**, Changhua (TW)

(73) Assignee: **Handyway Co., Ltd.**, Changhua (TW)

(\*\*) Term: **14 Years**

(21) Appl. No.: **29/387,538**

(22) Filed: **Mar. 15, 2011**

(51) **LOC (9) Cl.** ..... **08-07**

(52) **U.S. Cl.** ..... **D8/330; D8/331; D8/339**

(58) **Field of Classification Search** ..... D8/330,  
D8/331, 336, 339, 341, 343; 70/181-189,  
70/431, 14, 34, 33, 91; 292/86, 259 R, 288,  
292/340, 32, 156, 41, 119

See application file for complete search history.

(56) **References Cited**

**U.S. PATENT DOCUMENTS**

4,689,978	A *	9/1987	Drummond	.....	70/431
5,119,649	A *	6/1992	Spence	.....	70/14
5,332,251	A *	7/1994	Farquhar	.....	280/507
5,345,794	A *	9/1994	Jenks	.....	70/14
D503,328	S *	3/2005	Catlett	.....	D8/342

D515,399	S *	2/2006	Ho	.....	D8/330
D534,054	S *	12/2006	Garcia et al.	.....	D8/330
D589,779	S *	4/2009	Wrase et al.	.....	D8/330

\* cited by examiner

*Primary Examiner* — Prabhakar Deshmukh

(74) *Attorney, Agent, or Firm* — Rosenberg, Klein & Lee

(57) **CLAIM**

The ornamental design for a trailer lock, as shown and described.

**DESCRIPTION**

FIG. 1 is a perspective view of trailer lock showing my new design;

FIG. 2 is a front elevation view thereof;

FIG. 3 is a rear elevation view thereof;

FIG. 4 is a left side elevation view thereof;

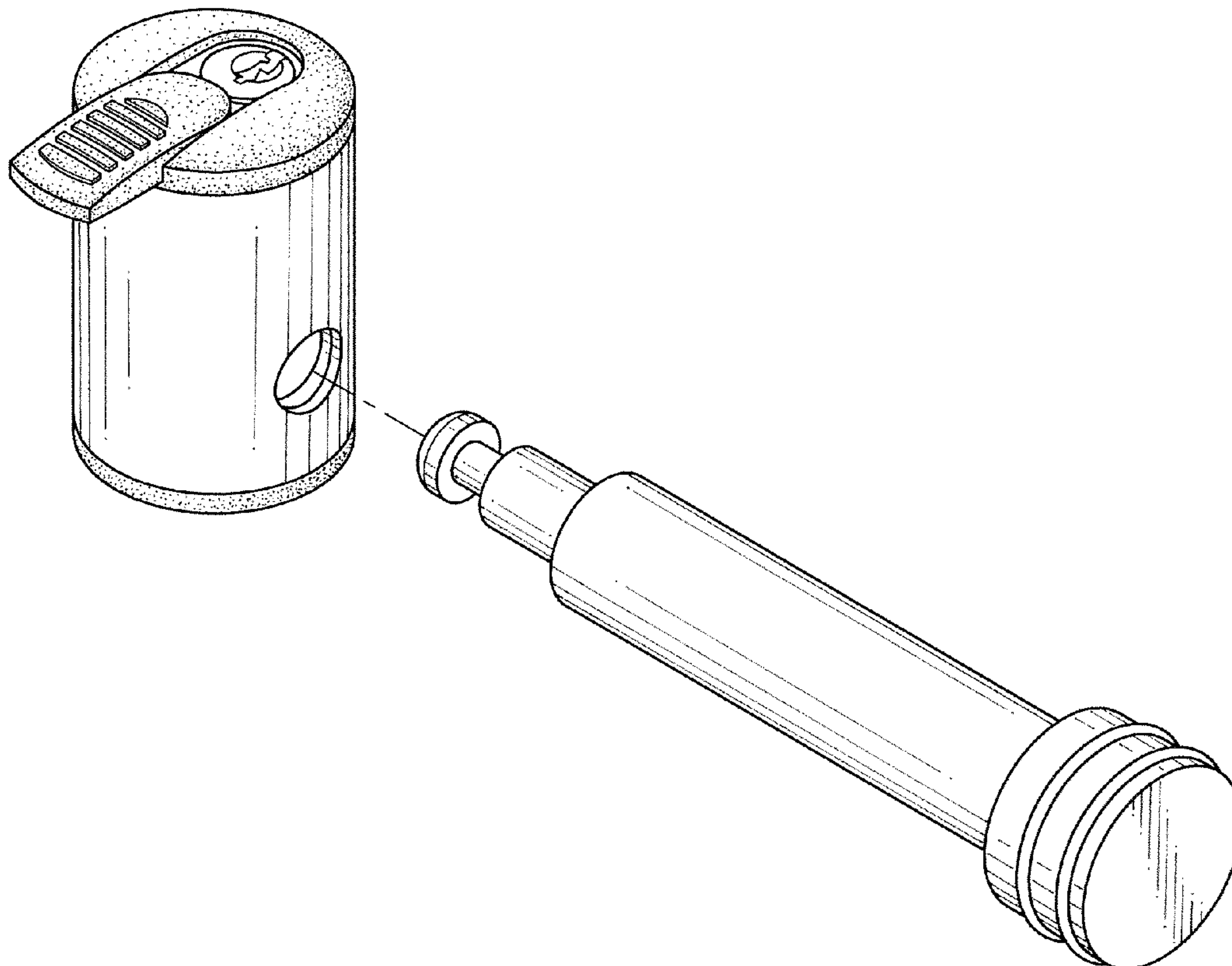
FIG. 5 is a right side elevation view thereof;

FIG. 6 is a top plan view thereof; and

FIG. 7 is a bottom plan view thereof; and

FIG. 8 is an exploded perspective view of an ergonomic locking pin with lock cover in position to expose key receptacle.

**1 Claim, 4 Drawing Sheets**



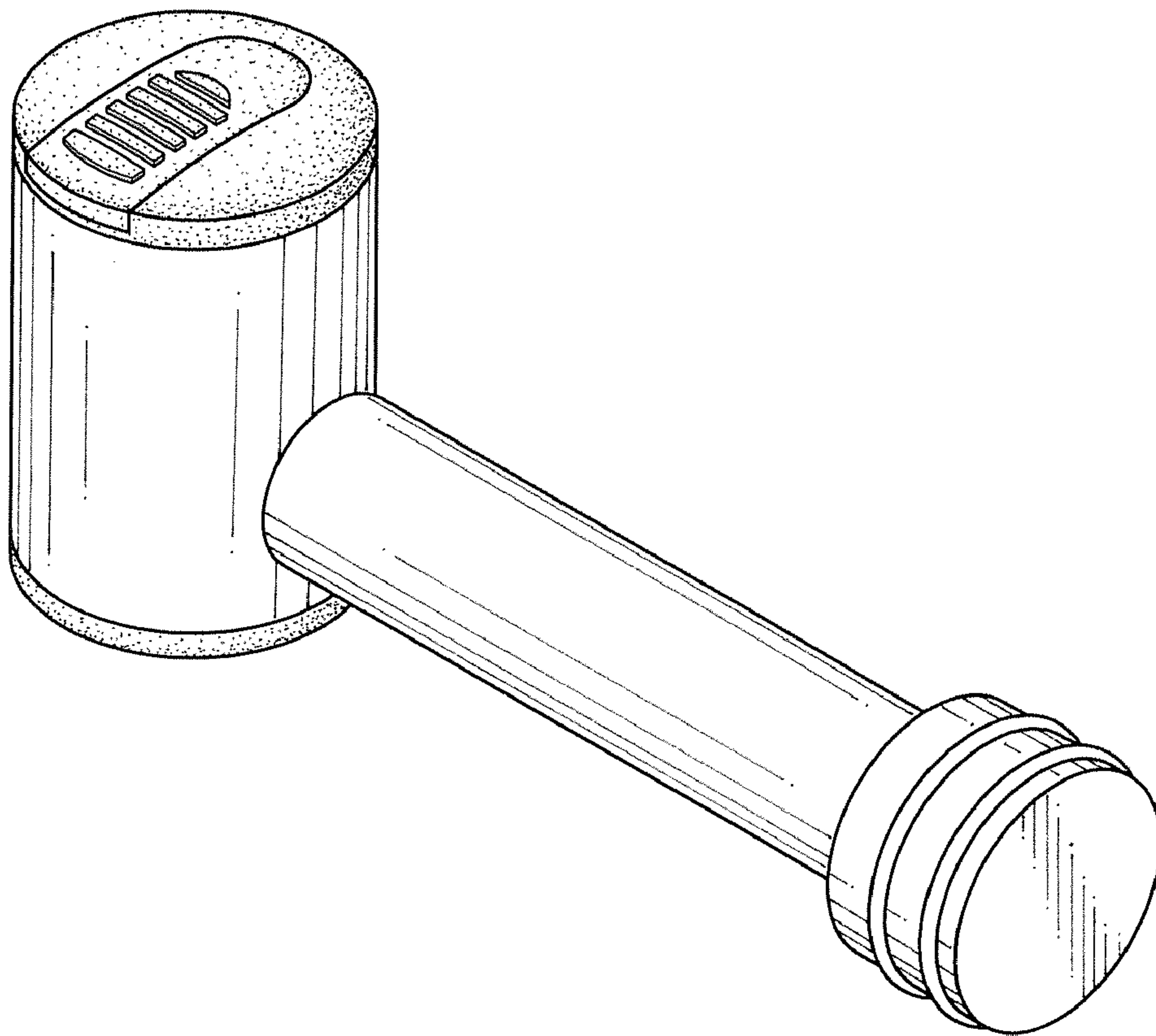


FIG. 1

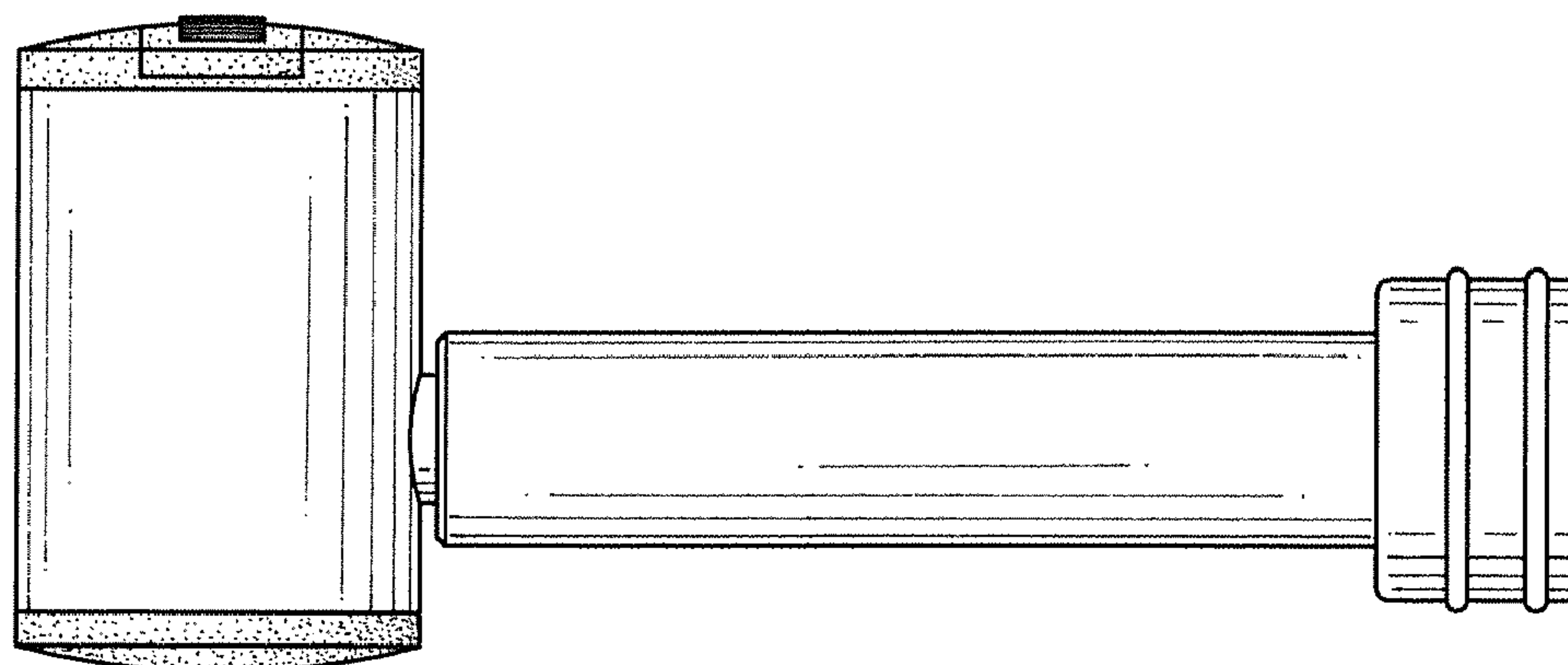


FIG. 2

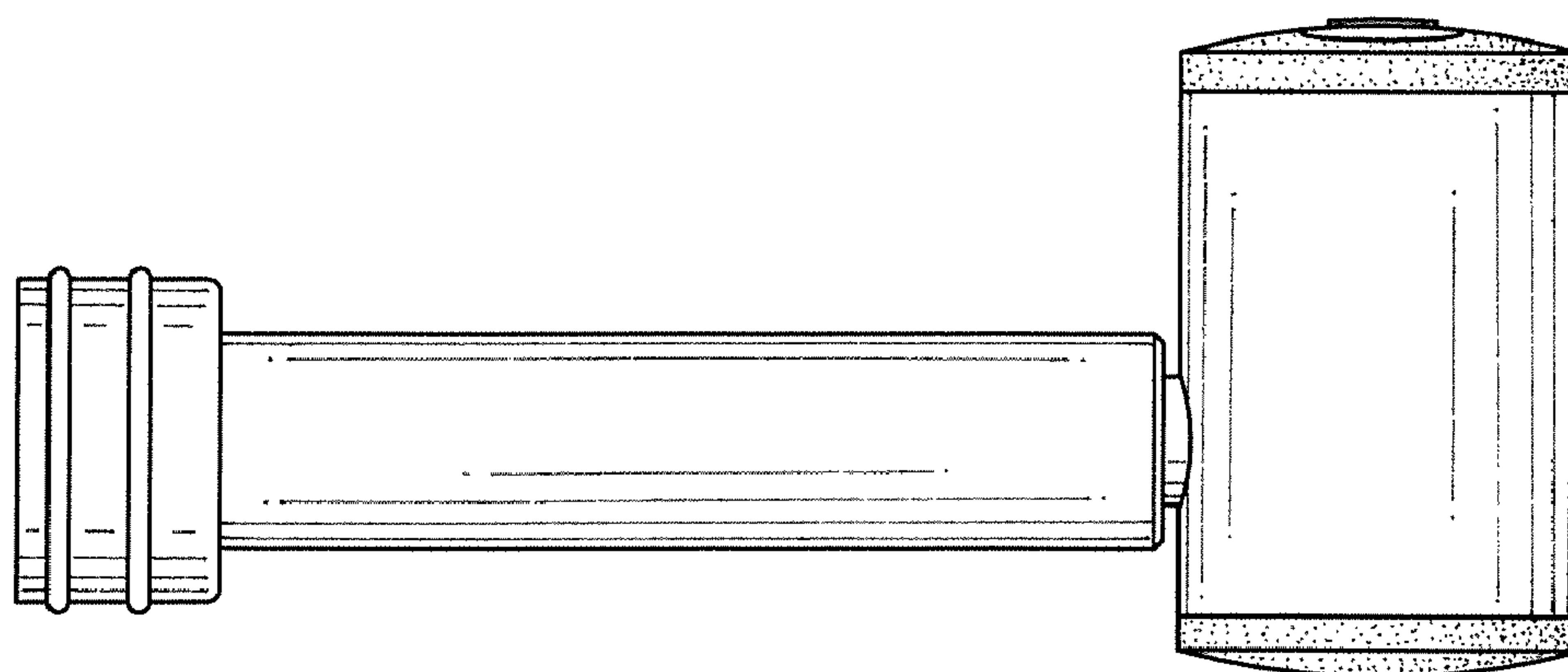


FIG. 3

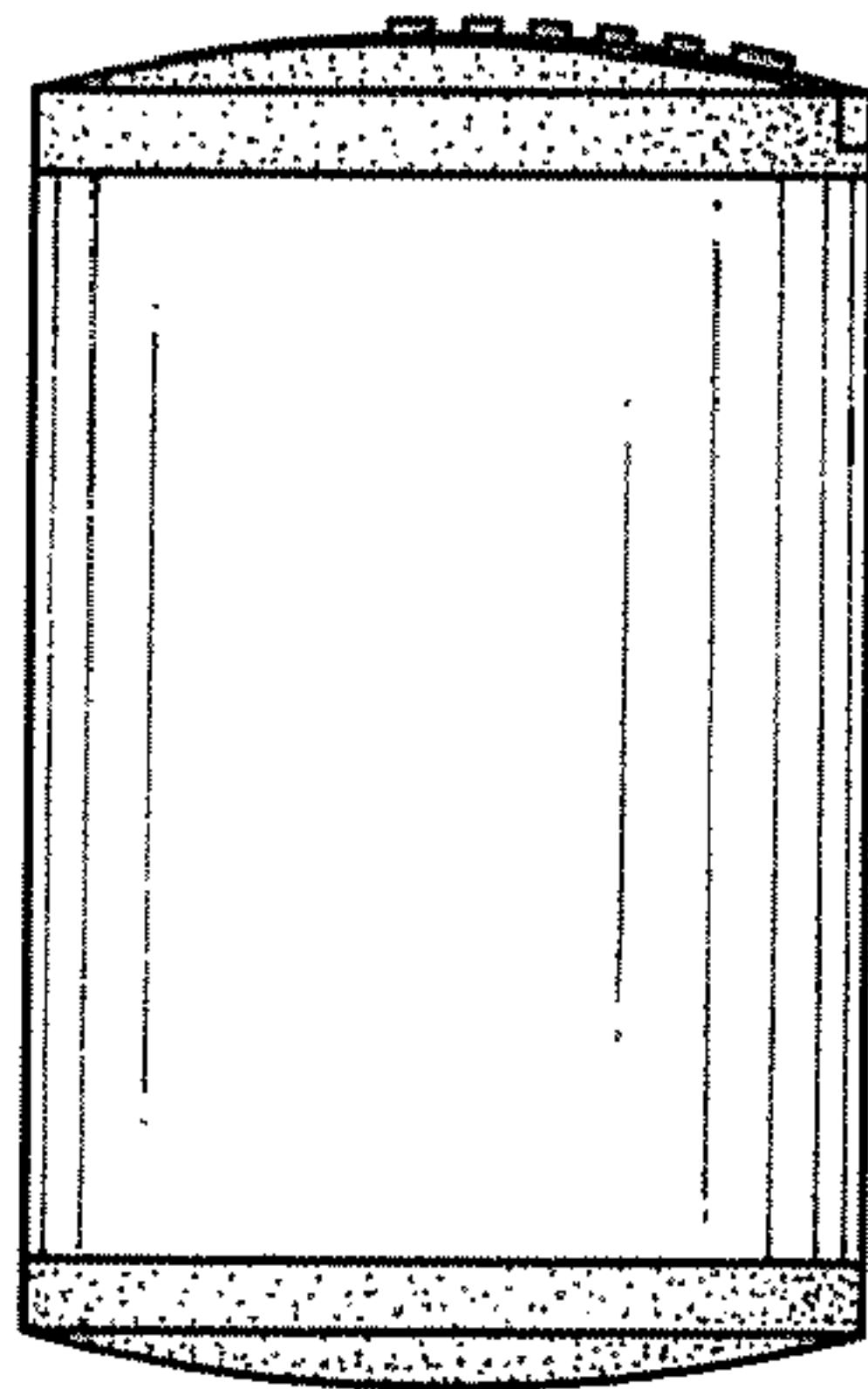


FIG. 4

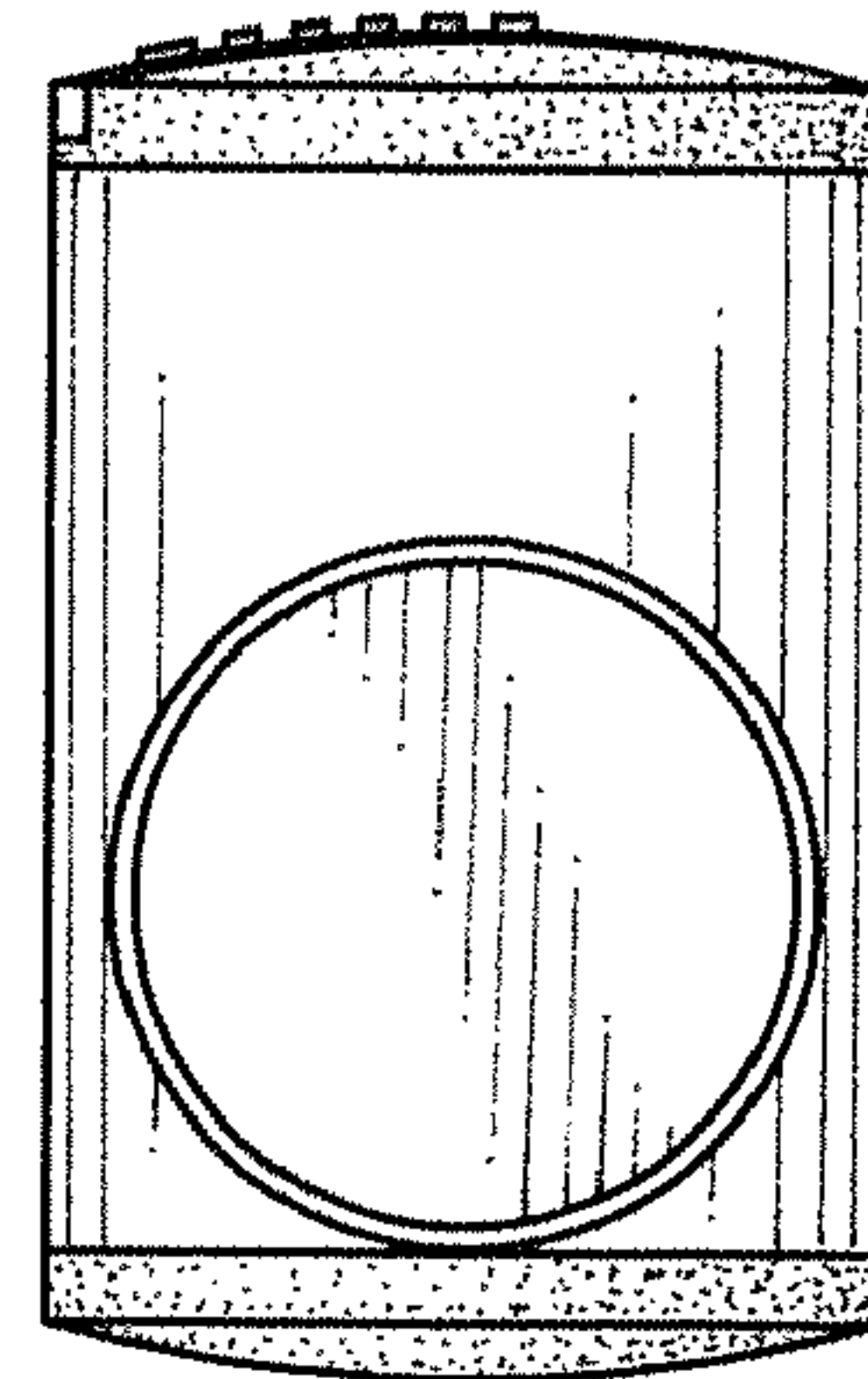


FIG. 5

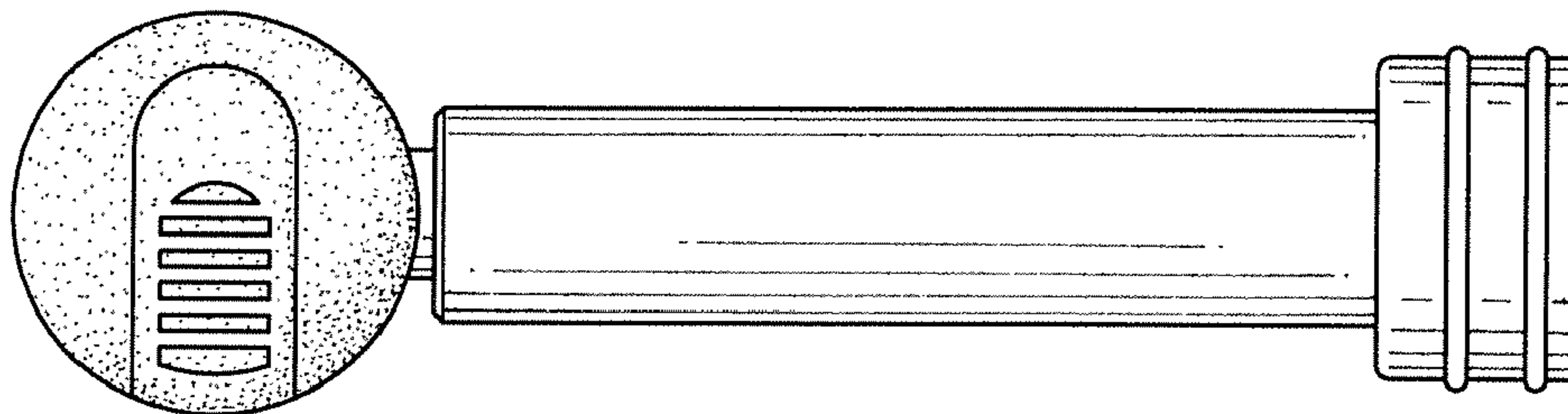


FIG. 6

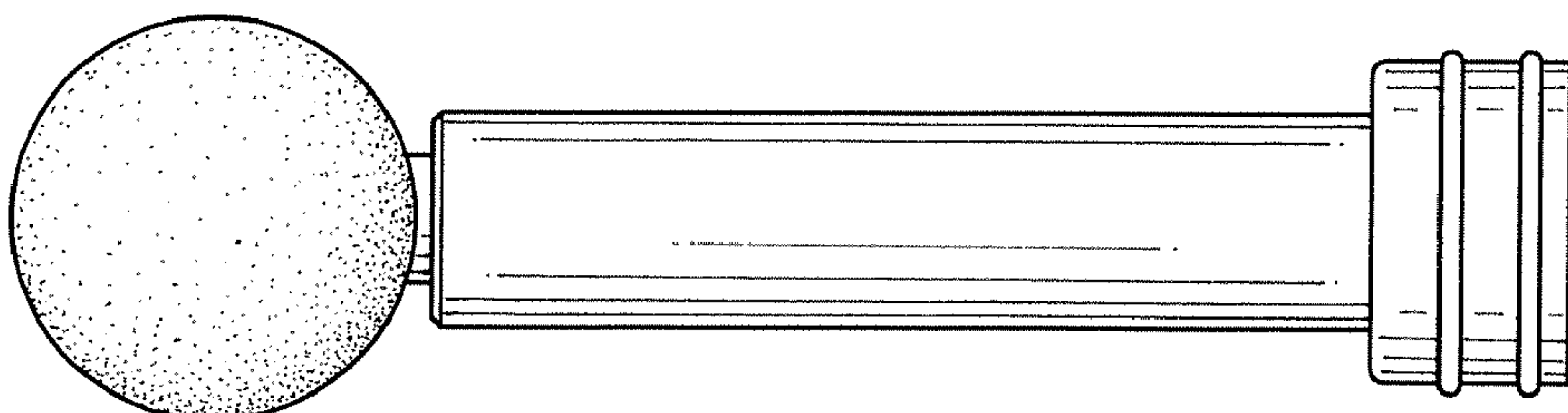


FIG. 7



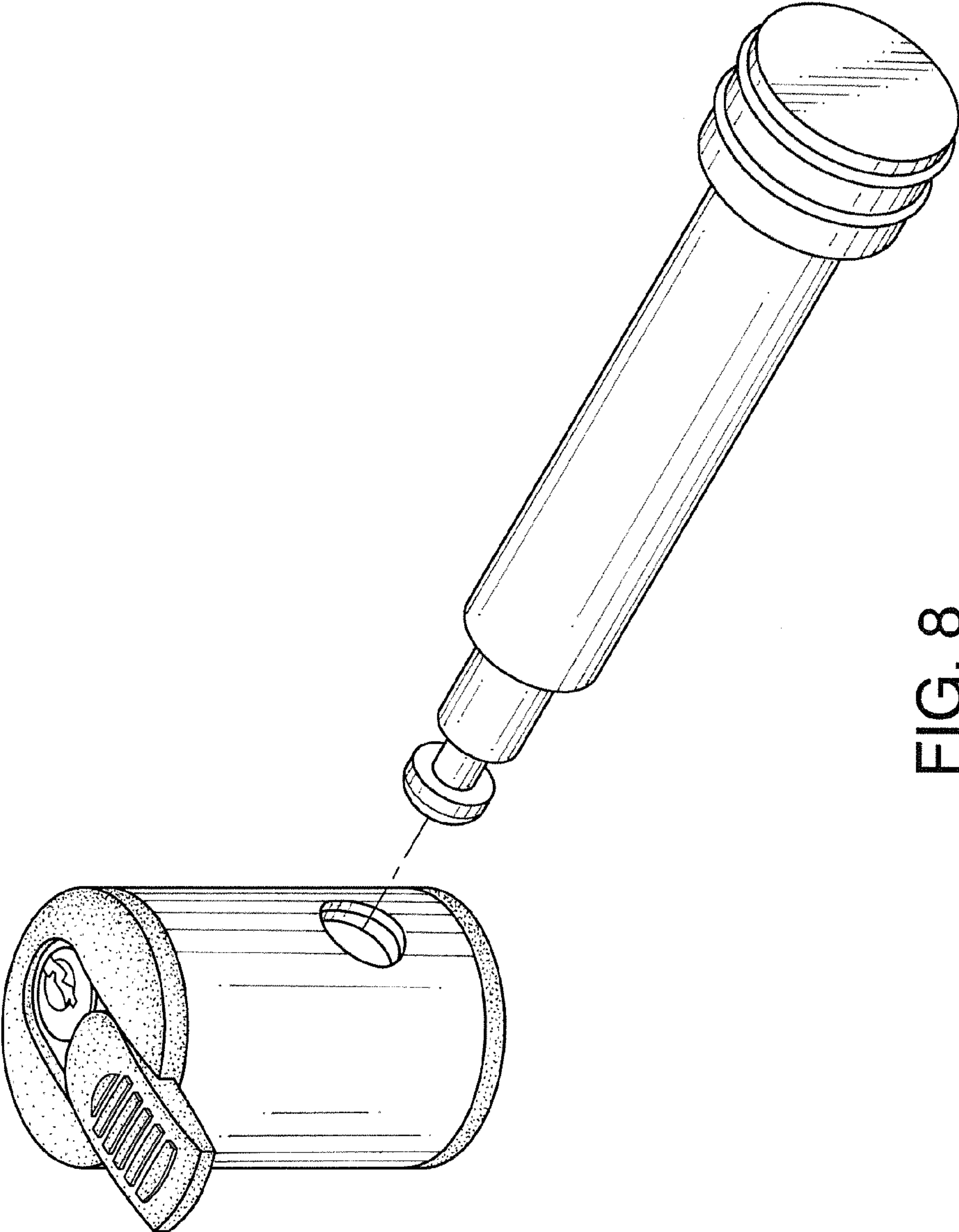


FIG. 8