



US00D646950S

(12) **United States Design Patent**  
**Going**

(10) **Patent No.:** **US D646,950 S**

(45) **Date of Patent:** **\*\* Oct. 18, 2011**

- (54) **KNOB AND HANDLE GRIPPING DEVICE**
- (75) Inventor: **Patrick E. Going**, Colorado Springs, CO (US)
- (73) Assignee: **Colorado Great Grips, Inc.**, Colorado Springs, CO (US)
- (\*\*) Term: **14 Years**
- (21) Appl. No.: **29/370,982**
- (22) Filed: **Sep. 29, 2010**
- (51) **LOC (9) Cl.** ..... **08-06**
- (52) **U.S. Cl.** ..... **D8/307**
- (58) **Field of Classification Search** ..... D8/300, D8/307, 310, 311, 312, 60, DIG. 2; D23/250; 137/318; 16/110.1, 121, 414; D21/694  
See application file for complete search history.

(56) **References Cited**

**U.S. PATENT DOCUMENTS**

D26,565 S *	1/1897	Hart	.....	D8/311
D31,410 S *	8/1899	Perkins	.....	D8/311
D90,772 S *	9/1933	Kasch	.....	D8/307
D104,215 S *	4/1937	Hawkinson	.....	D8/311
D143,382 S *	12/1945	Zinkil et al.	.....	D23/250
D150,346 S *	7/1948	Felver	.....	D8/312
D157,312 S *	2/1950	Young	.....	D23/250
D167,618 S *	9/1952	Coran	.....	D8/312
D167,619 S *	9/1952	Coran	.....	D8/307
2,721,597 A	10/1955	Pitrella		
2,731,056 A	1/1956	Anson		
2,957,477 A *	10/1960	Maclean	.....	402/43
D209,144 S *	11/1967	Hanpel	.....	D8/311
D211,398 S	6/1968	Hall		
D223,798 S *	6/1972	Jensen	.....	D8/312
D242,921 S *	1/1977	Bake et al.	.....	D23/250
4,094,210 A	6/1978	Wirtz et al.		
4,504,087 A	3/1985	Pennington		
D289,544 S *	4/1987	Doman	.....	D23/250
D302,243 S *	7/1989	Gonzalez	.....	D8/398
4,971,375 A	11/1990	Grecco		
4,999,875 A	3/1991	Rybak		

5,008,551 A	4/1991	Randolph		
D324,986 S *	3/1992	Fratantonio et al.	.....	D8/312
D329,590 S	9/1992	Chapman		
D365,009 S *	12/1995	Lenberg	.....	D8/307
5,495,641 A	3/1996	Going		
D416,060 S *	11/1999	Angeles	.....	D21/694
6,154,928 A	12/2000	Thom		
6,216,723 B1 *	4/2001	King	.....	137/318
D472,947 S *	4/2003	Wu	.....	D21/694
D484,150 S *	12/2003	Becke	.....	D15/89
6,886,585 B1 *	5/2005	King, Jr. et al.	.....	137/318
D521,845 S *	5/2006	Stevens et al.	.....	D8/307

**OTHER PUBLICATIONS**

Sammons Catalog, "Door Knob Extensions", 1994, p. 37—no longer available, see: [http://www.pattersonmedical.com/app.aspx?cmd=get\\_subsections&id=100843](http://www.pattersonmedical.com/app.aspx?cmd=get_subsections&id=100843) retrieved Sep. 29, 2010.

Bootee Doorknob Covers, <http://www.make-life-easier.com/product/housewares/indoor+functional/booteestretchrub-berdoorknobcovers.do> retrieved Sep. 29, 2010.

Ableware by Maddack, Inc., see also U.S. Pat. No. 6,154,928, <http://service.maddack.com/catalog/754190052.asp> retrieved Sep. 29, 2010.

Touch Door Knob Covers at Life Solutions Plus, see: <http://www.lifesolutionsplus.com/touch-door-knob-covers-p-333.html> retrieved Sep. 29, 2010.

\* cited by examiner

*Primary Examiner* — Paula Greene

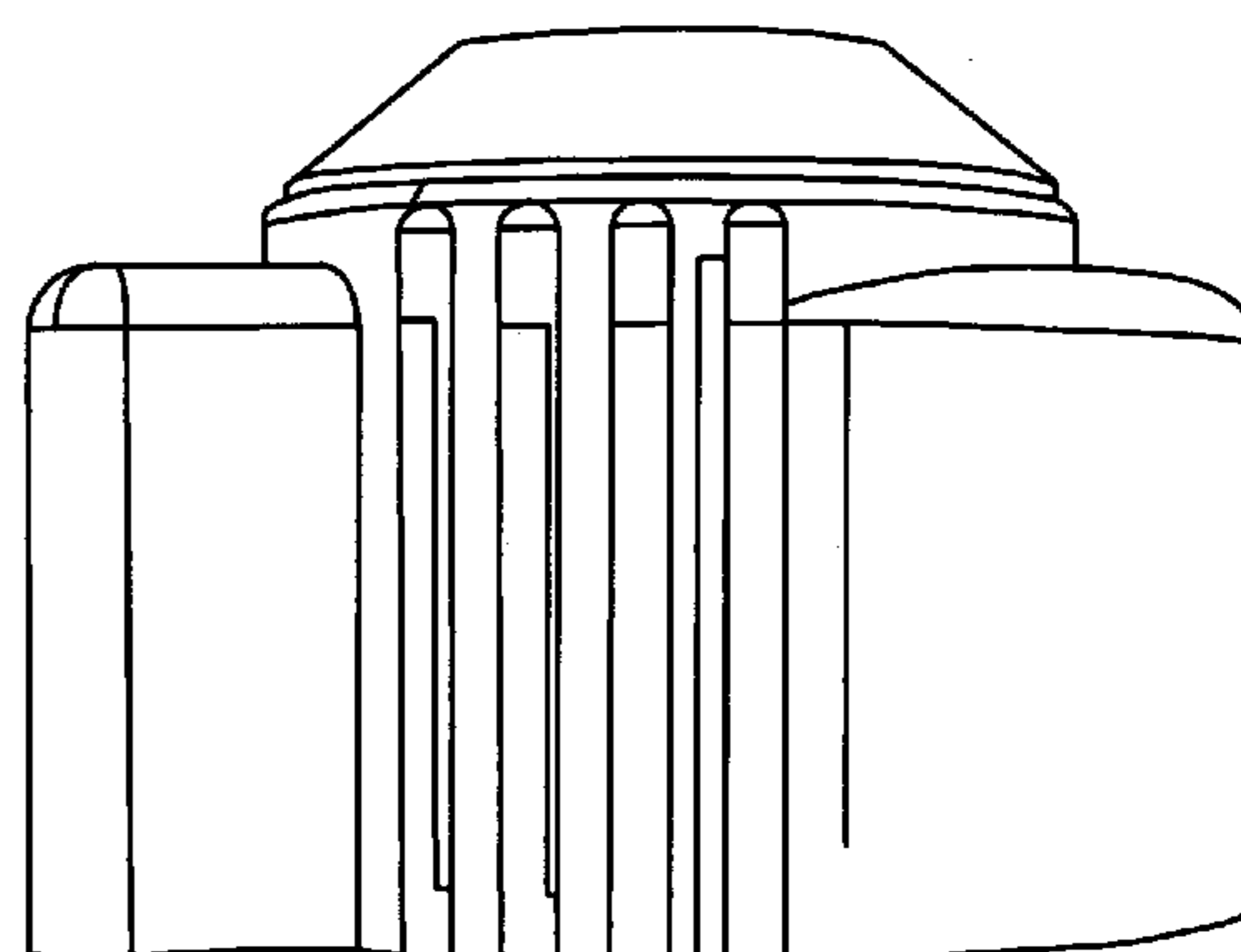
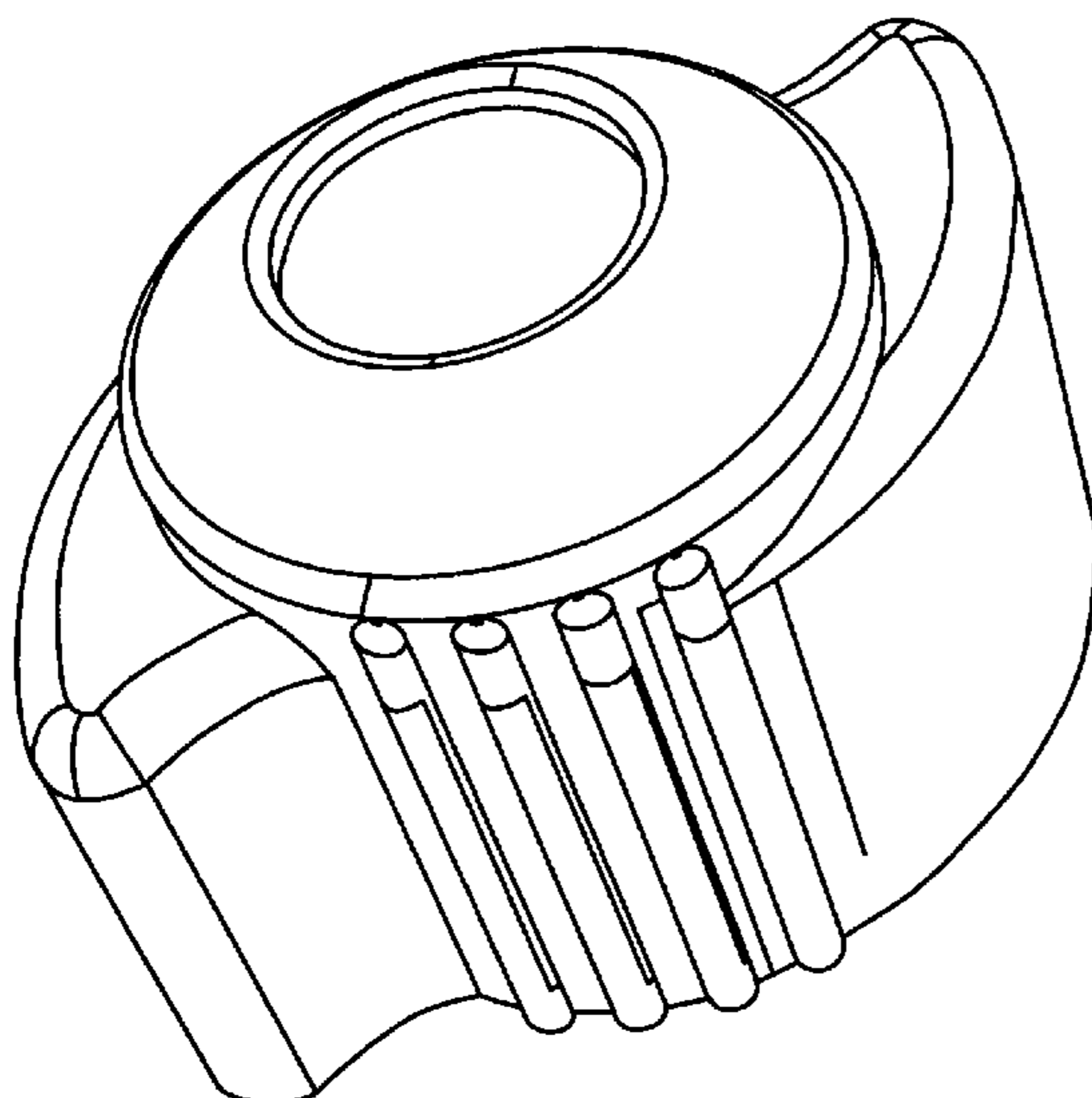
(57) **CLAIM**

The ornamental design for a knob and handle gripping device, as shown and described.

**DESCRIPTION**

FIG. 1 is a perspective view of a knob and handle gripping device showing my new design;  
 FIG. 2 is a top plan view thereof;  
 FIG. 3 is a bottom plan view thereof; and,  
 FIG. 4 is a right side elevational view thereof, the left side view being a mirror-image.

**1 Claim, 4 Drawing Sheets**



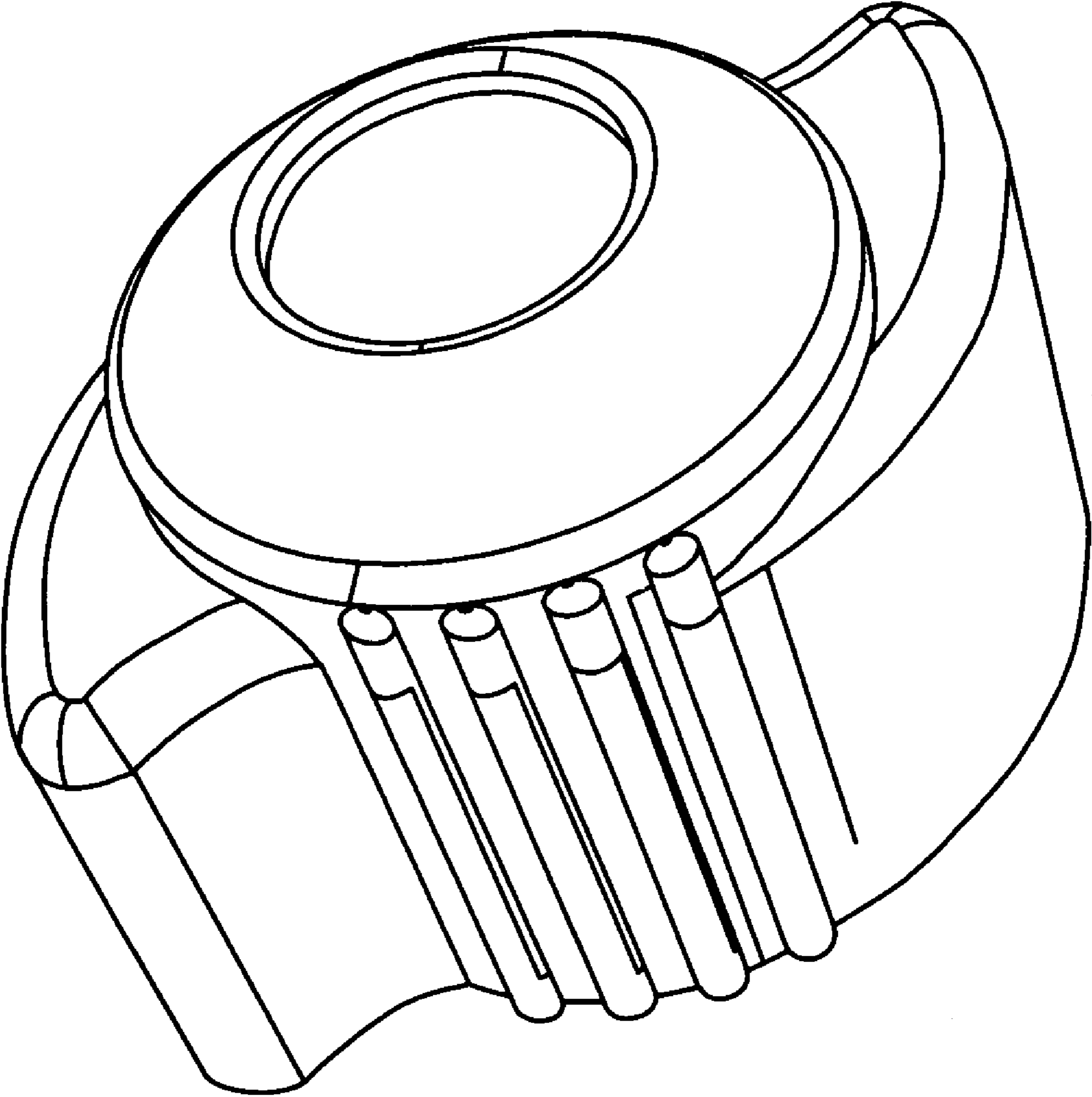


FIG 1

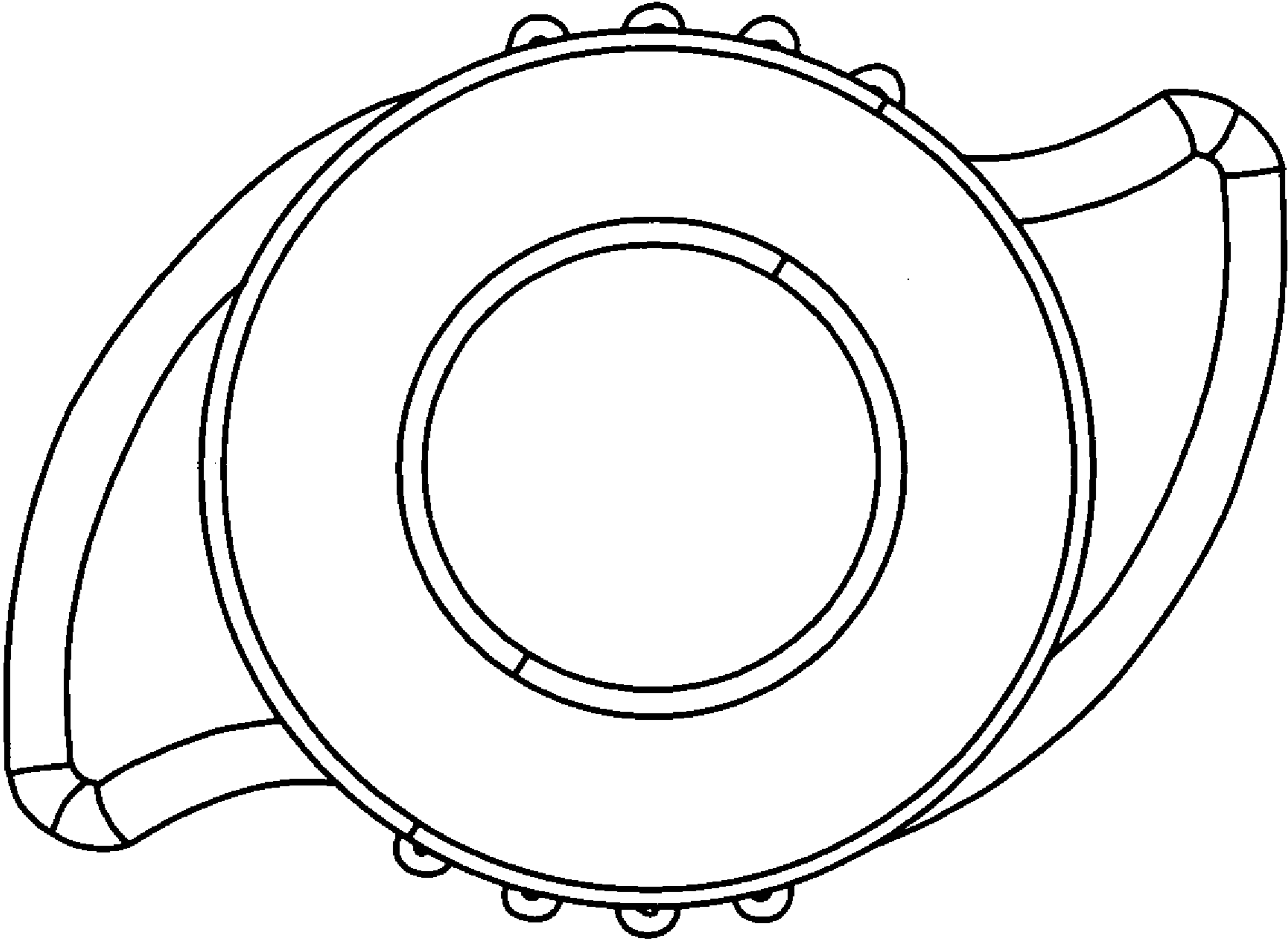
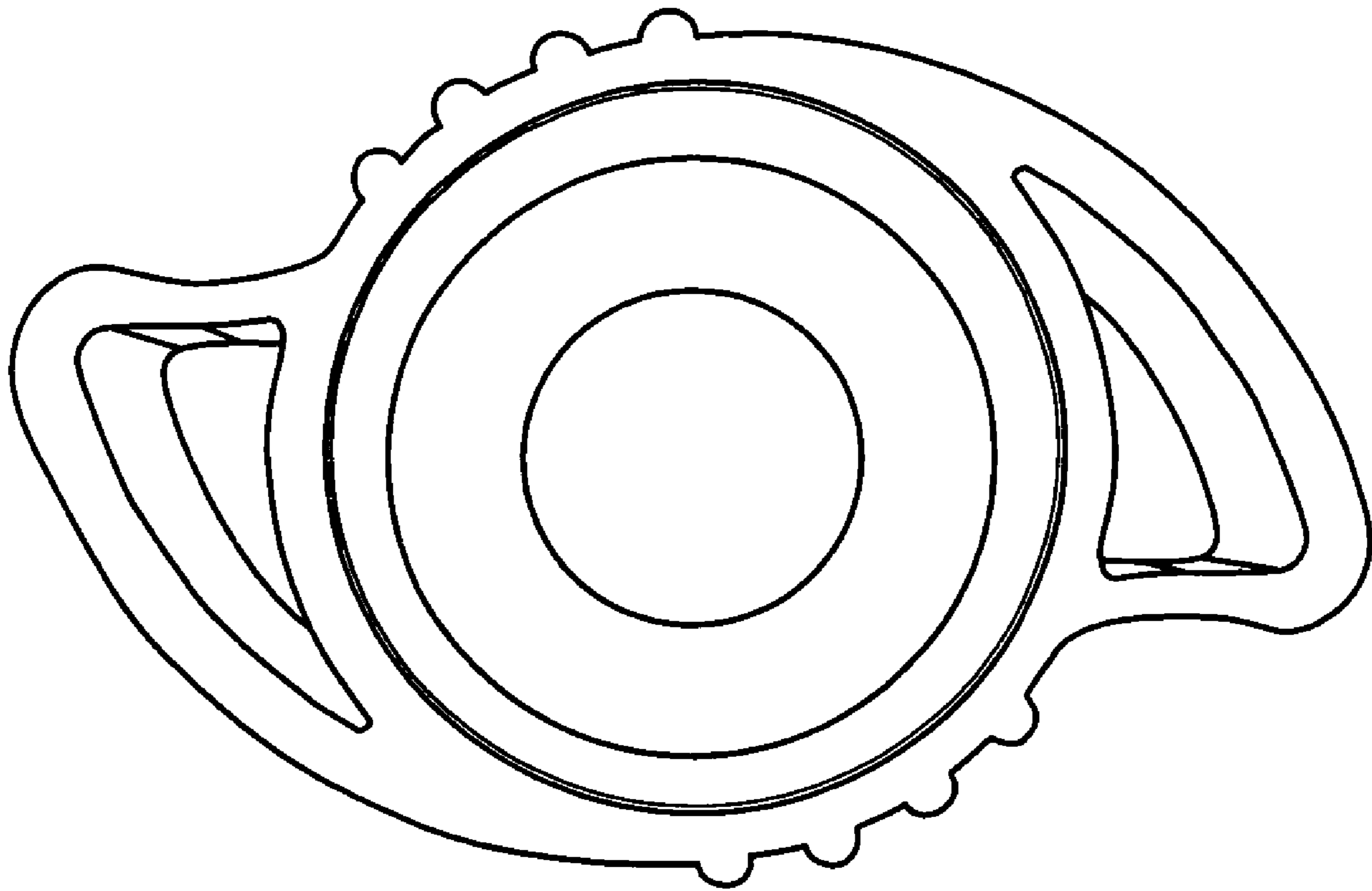


FIG 2



**FIG 3**

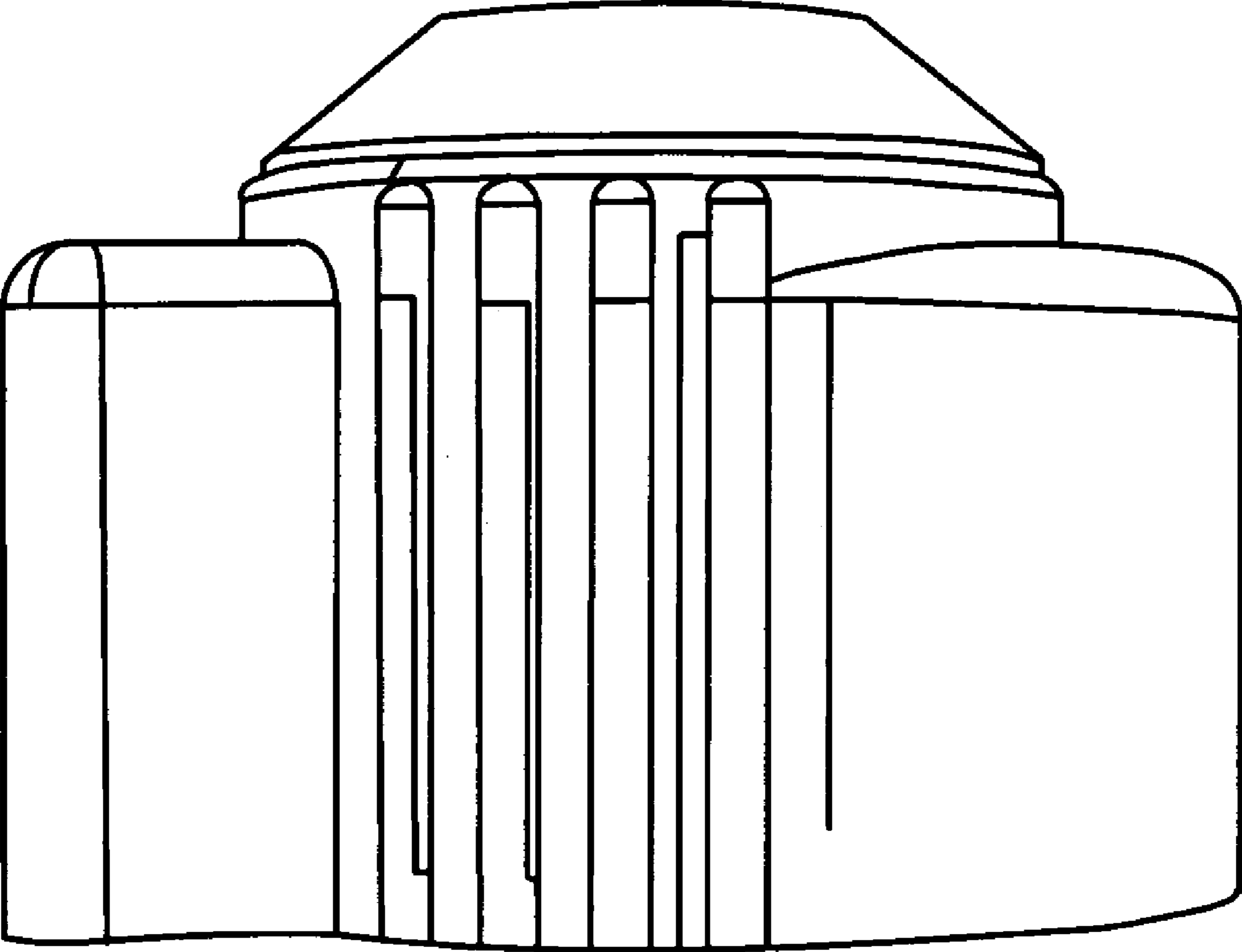


FIG 4