



US00D646948S

(12) **United States Design Patent**
Robinson et al.

(10) **Patent No.:** **US D646,948 S**

(45) **Date of Patent:** **** Oct. 18, 2011**

(54) **T TOOL HANDLE**

(75) Inventors: **Glenn Robinson**, Coral Springs, FL
(US); **Michael Garcia**, Coral Springs,
FL (US)

(73) Assignee: **IBT Holdings, LLC**, Deerfield Beach,
FL (US)

(**) Term: **14 Years**

(21) Appl. No.: **29/370,964**

(22) Filed: **Sep. 28, 2010**

(51) **LOC (9) Cl.** **08-04**

(52) **U.S. Cl.** **D08/83**

(58) **Field of Classification Search** D8/21,
D8/24, 82-85, 87, 107; 81/60-62, 177.1-177.7
See application file for complete search history.

(56) **References Cited**

U.S. PATENT DOCUMENTS

2,653,638	A *	9/1953	Nelson	30/120.2
D230,944	S *	3/1974	Tremaine et al.	D8/82
D339,048	S *	9/1993	Baum	D8/107
D356,239	S *	3/1995	Lin	D8/82
5,461,950	A *	10/1995	Iwinski	81/61
D377,444	S *	1/1997	Lin	D8/107
D378,797	S *	4/1997	Poremba et al.	D8/107
D394,794	S *	6/1998	Vasudeva	D8/107
D420,885	S *	2/2000	Lin	D8/107
D448,633	S *	10/2001	Langlois	D8/14
D454,045	S *	3/2002	Rinner et al.	D8/107
D517,634	S *	3/2006	Nunez et al.	D21/789
D530,588	S *	10/2006	Wang	D8/107
D557,584	S *	12/2007	Gao	D8/107
D565,380	S *	4/2008	Rinner	D8/83

7,373,860	B1 *	5/2008	Rinner	81/177.1
D613,144	S *	4/2010	Lin	D8/83
D618,527	S *	6/2010	Deguglimo et al.	D8/29
D620,339	S *	7/2010	Pennington	D8/107
D634,844	S *	3/2011	Bast et al.	D24/145
7,942,253	B2 *	5/2011	Schneeman et al.	192/43.2
2009/0183604	A1 *	7/2009	Johnson et al.	81/60

OTHER PUBLICATIONS

T Handle Driver Set. Snagged Jun. 1, 2011 from <http://huskytoolsnews.com/>*

* cited by examiner

Primary Examiner — Philip S Hyder

Assistant Examiner — Roselynn Cody

(74) *Attorney, Agent, or Firm* — Dan M. DeLaRosa

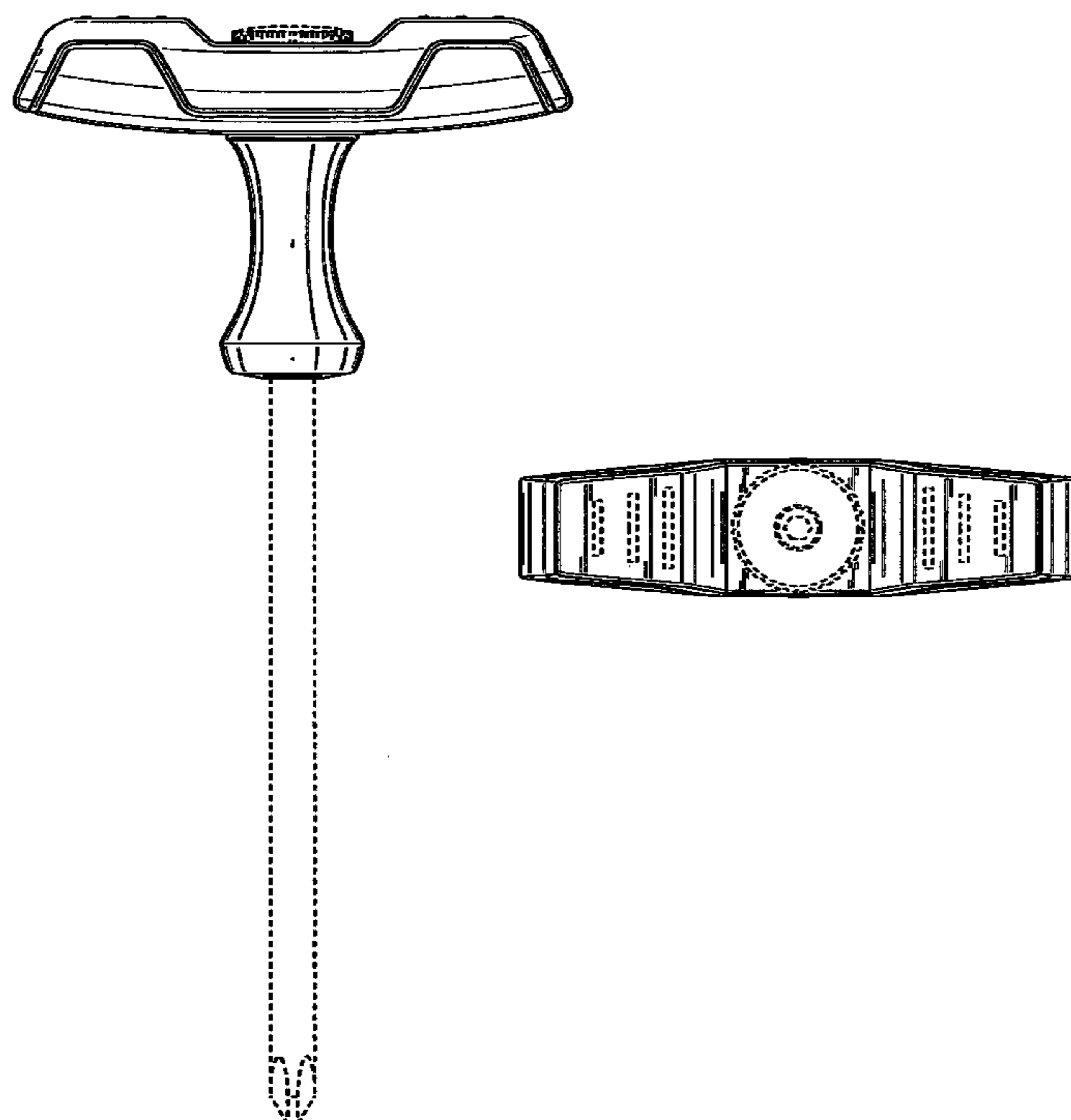
(57) **CLAIM**

The ornamental design for a T tool handle, as shown and described.

DESCRIPTION

FIG. 1 is a front perspective view of the T tool handle of the present invention showing my new design; FIG. 2 is a front side elevational view thereof; FIG. 3 is a back side elevational view thereof; FIG. 4 is a side elevational view thereof; FIG. 5 is another side elevational view thereof; FIG. 6 is a top plan view thereof; and, FIG. 7 is a bottom plan view thereof. The broken lines in the figures are directed to areas or features of the T tool handle that form no part of the claim.

1 Claim, 5 Drawing Sheets



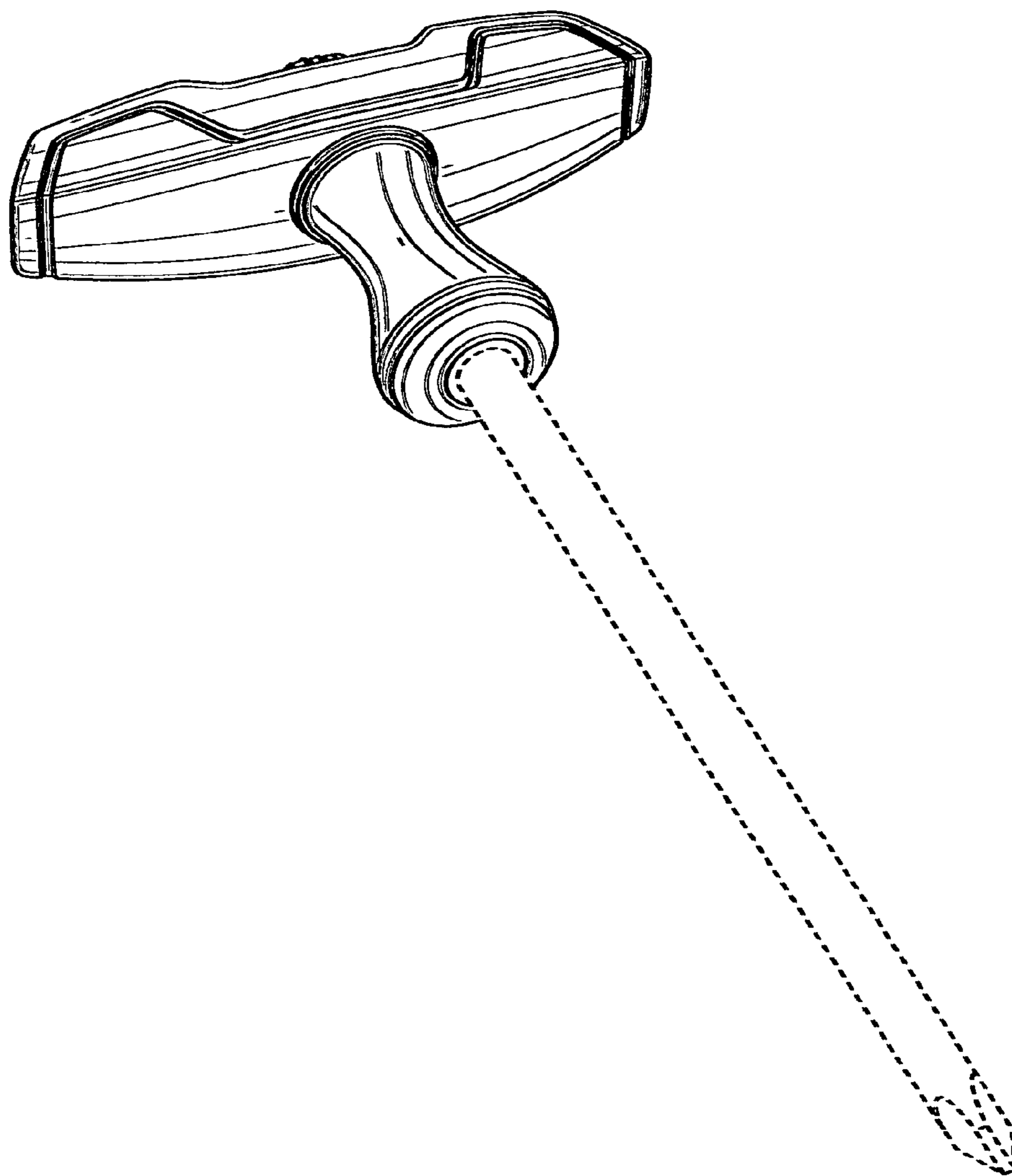


FIG. 1

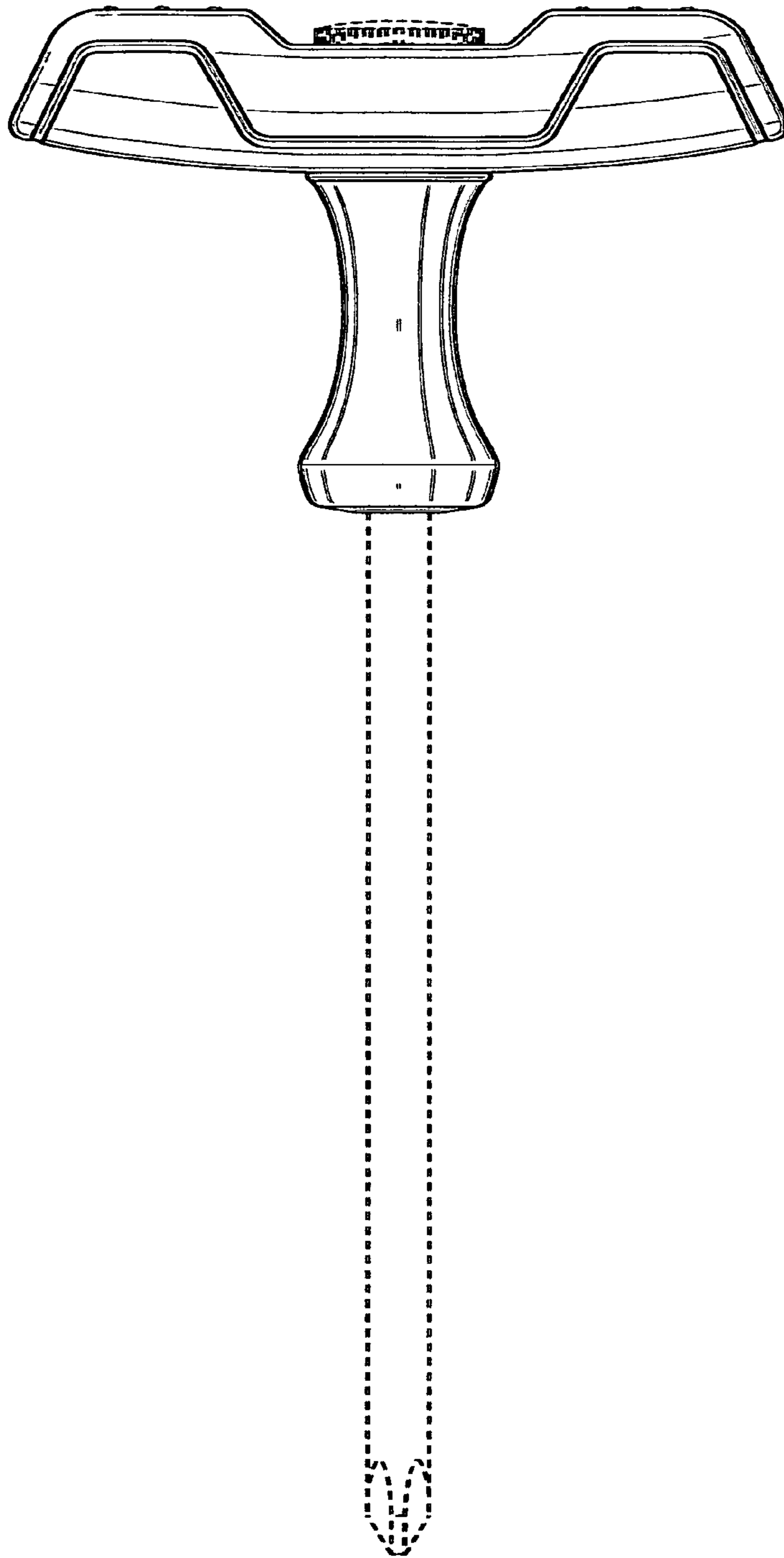


FIG. 2

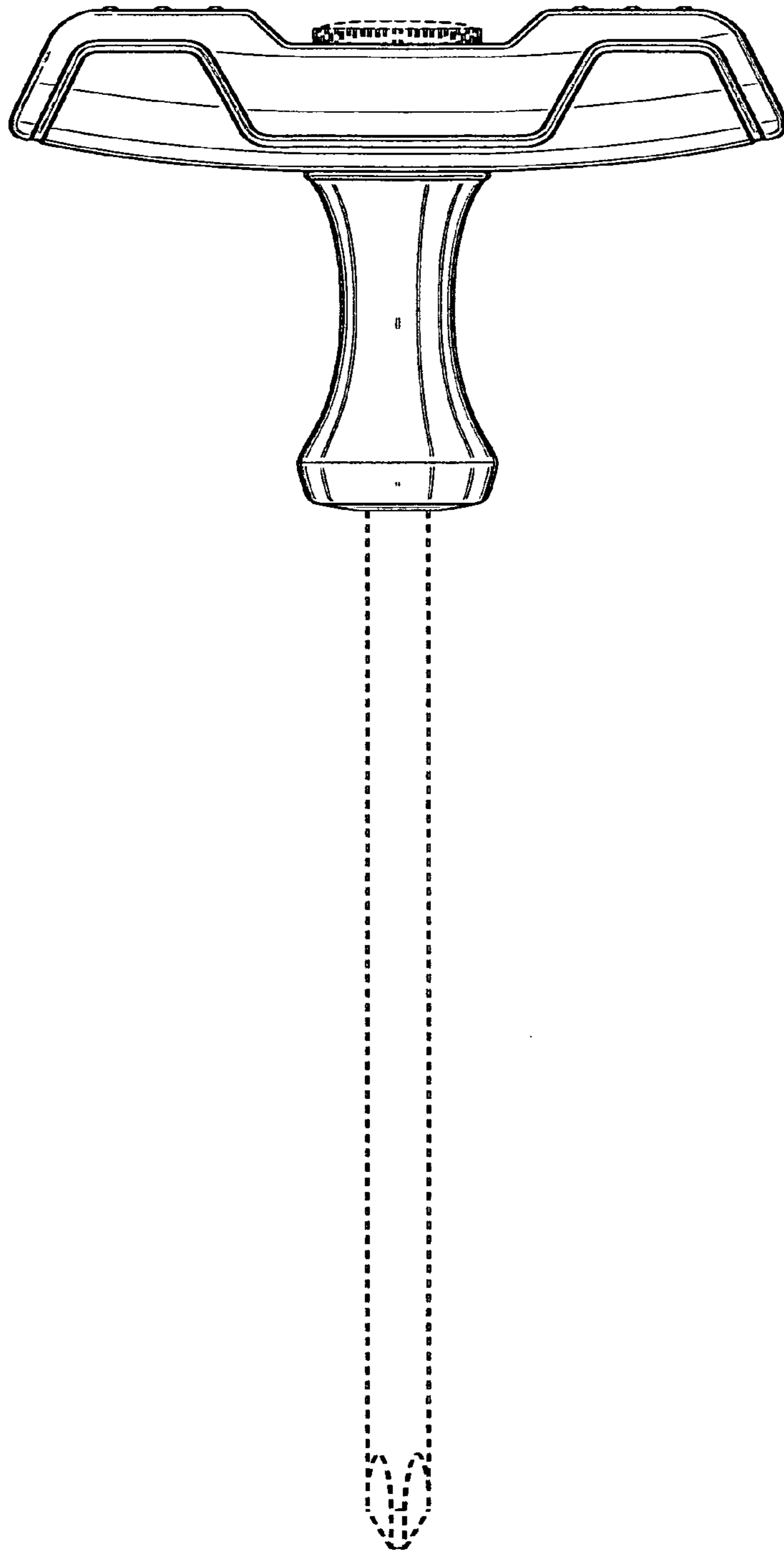


FIG. 3

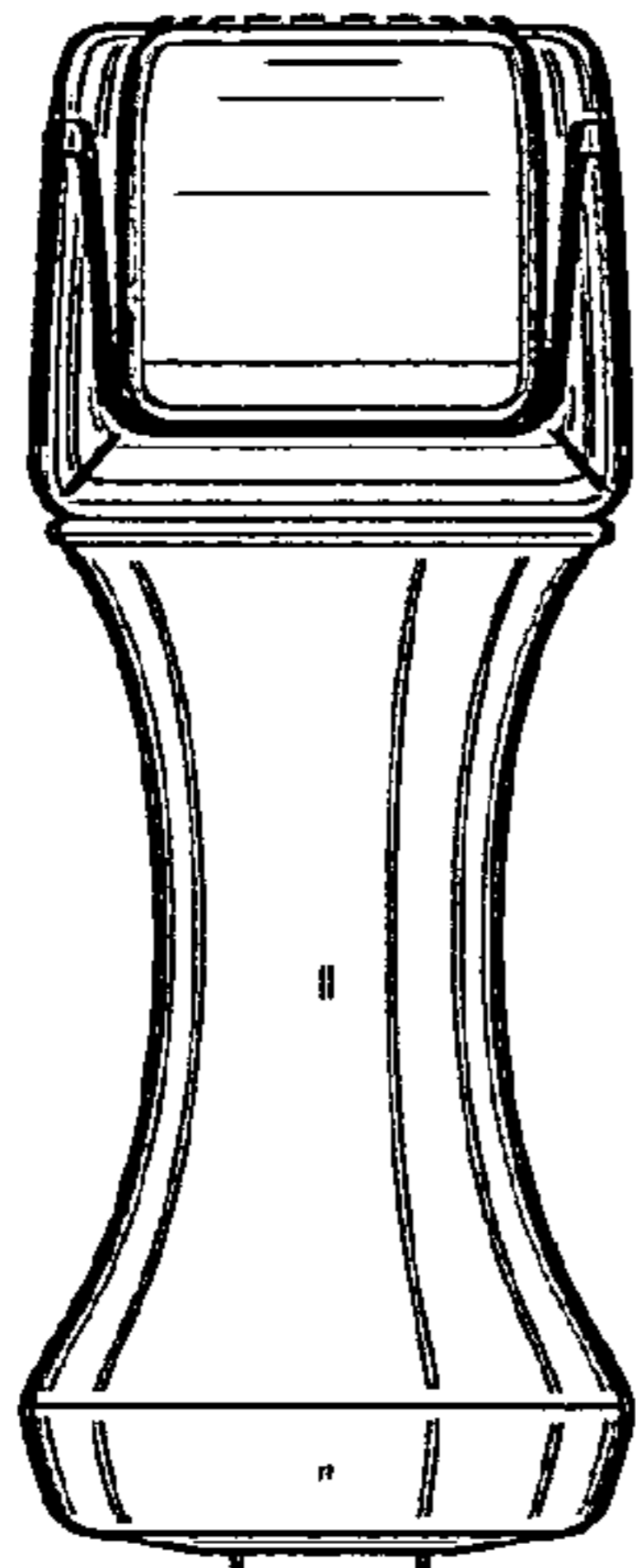


FIG. 4

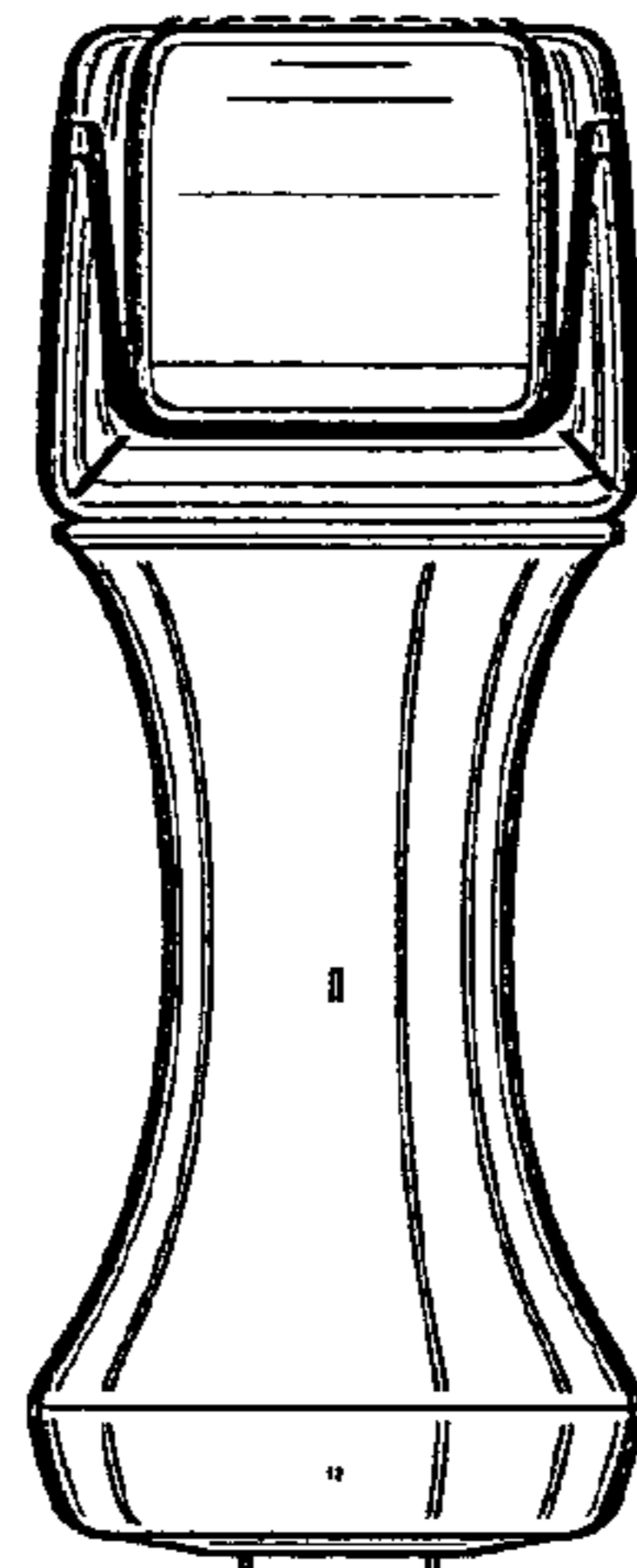


FIG. 5

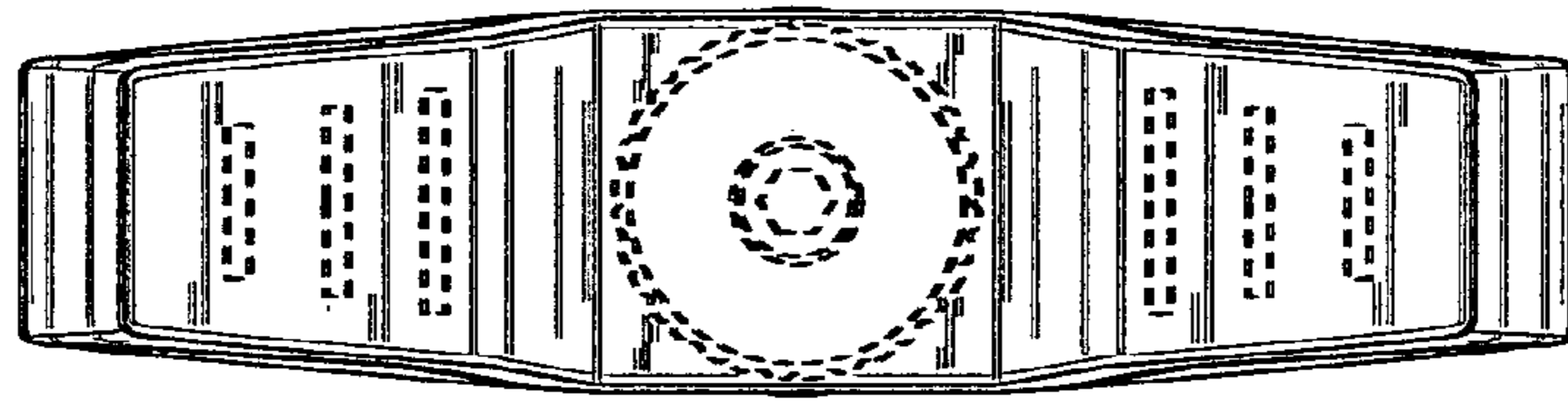


FIG. 6

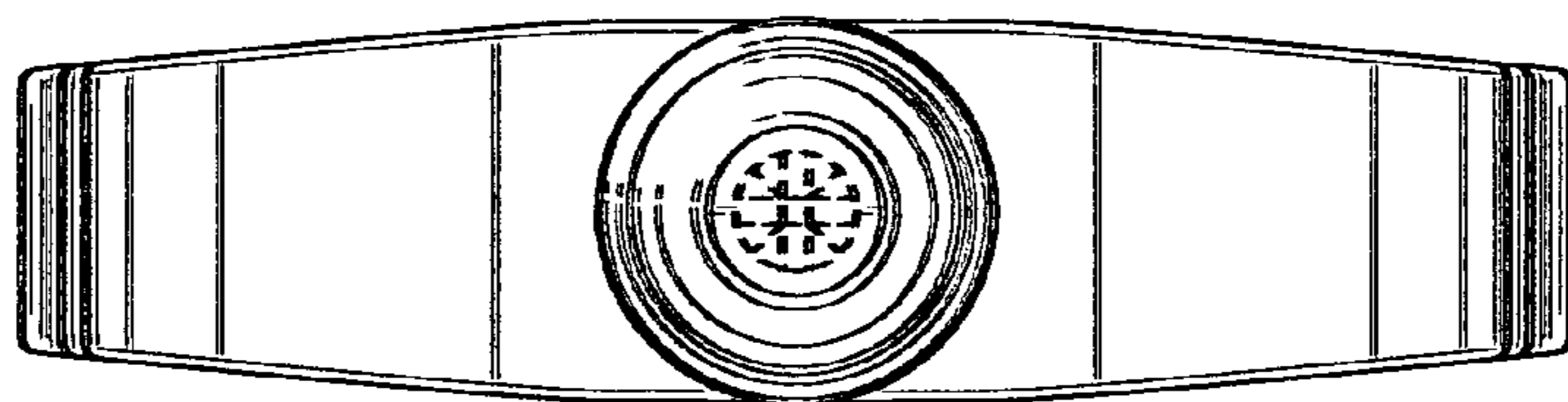


FIG. 7