



US00D646947S

(12) **United States Design Patent**
Lopano

(10) **Patent No.:** **US D646,947 S**
(45) **Date of Patent:** **** Oct. 18, 2011**

(54) **DRILL**
(75) Inventor: **Daniel N. Lopano**, Bel Air, MD (US)
(73) Assignee: **Black & Decker Inc.**, Newark, DE (US)
(**) Term: **14 Years**

D413,242 S 8/1999 Robson
6,161,256 A 12/2000 Quiring et al.
6,392,381 B1 5/2002 Chen
D458,103 S 6/2002 Chen
D458,824 S 6/2002 Chen
D459,177 S 6/2002 Chen
D467,483 S 12/2002 Heun
D472,781 S 4/2003 Netzler

(Continued)

(21) Appl. No.: **29/367,836**

(22) Filed: **Aug. 13, 2010**

(51) **LOC (9) Cl.** **08-04**

(52) **U.S. Cl.** **D8/68**

(58) **Field of Classification Search** D8/61-70;
81/57.11, 429, 454-456, 469, 489; 173/13,
173/46, 104, 114, 167-173, 178, 201, 211,
173/213, 214, 217, 198; 227/8, 113, 114,
227/120, 130, 136, 142; 310/50; 408/20,
408/35, 117, 124, 125, 234, 241 R, 58, 67;
451/358; 7/158, 165

See application file for complete search history.

FOREIGN PATENT DOCUMENTS

CH 386808 A 1/1965

(Continued)

OTHER PUBLICATIONS

Drawings and photographs of power tools existing before the filing date of the present application; online: <http://www.hitachi-koki.co.jp/power/tools/products/drill/wh14dbl/wh14dbl.html>; printed Jan. 10, 2008.

(Continued)

Primary Examiner — Antoine D Davis

(74) *Attorney, Agent, or Firm* — Scott B. Markow

(56) **References Cited**

U.S. PATENT DOCUMENTS

3,019,673 A 2/1962 Sjostrand et al.
3,488,825 A 1/1970 Lungren
4,330,093 A 5/1982 Chapman, Jr.
D295,714 S 5/1988 Sasaki et al.
D298,509 S 11/1988 Brosius et al.
4,858,811 A 8/1989 Brosius et al.
D314,320 S 2/1991 Brosius et al.
D323,276 S 1/1992 Fushiya
D329,580 S 9/1992 Sasaki et al.
D340,393 S 10/1993 Okumura
5,353,474 A 10/1994 Good et al.
D380,952 S 7/1997 Kim
D388,678 S 1/1998 Bantly et al.
D393,580 S 4/1998 Bantly et al.
D393,581 S 4/1998 McCallops et al.
D395,387 S 6/1998 Snider
5,778,989 A 7/1998 Neumaier

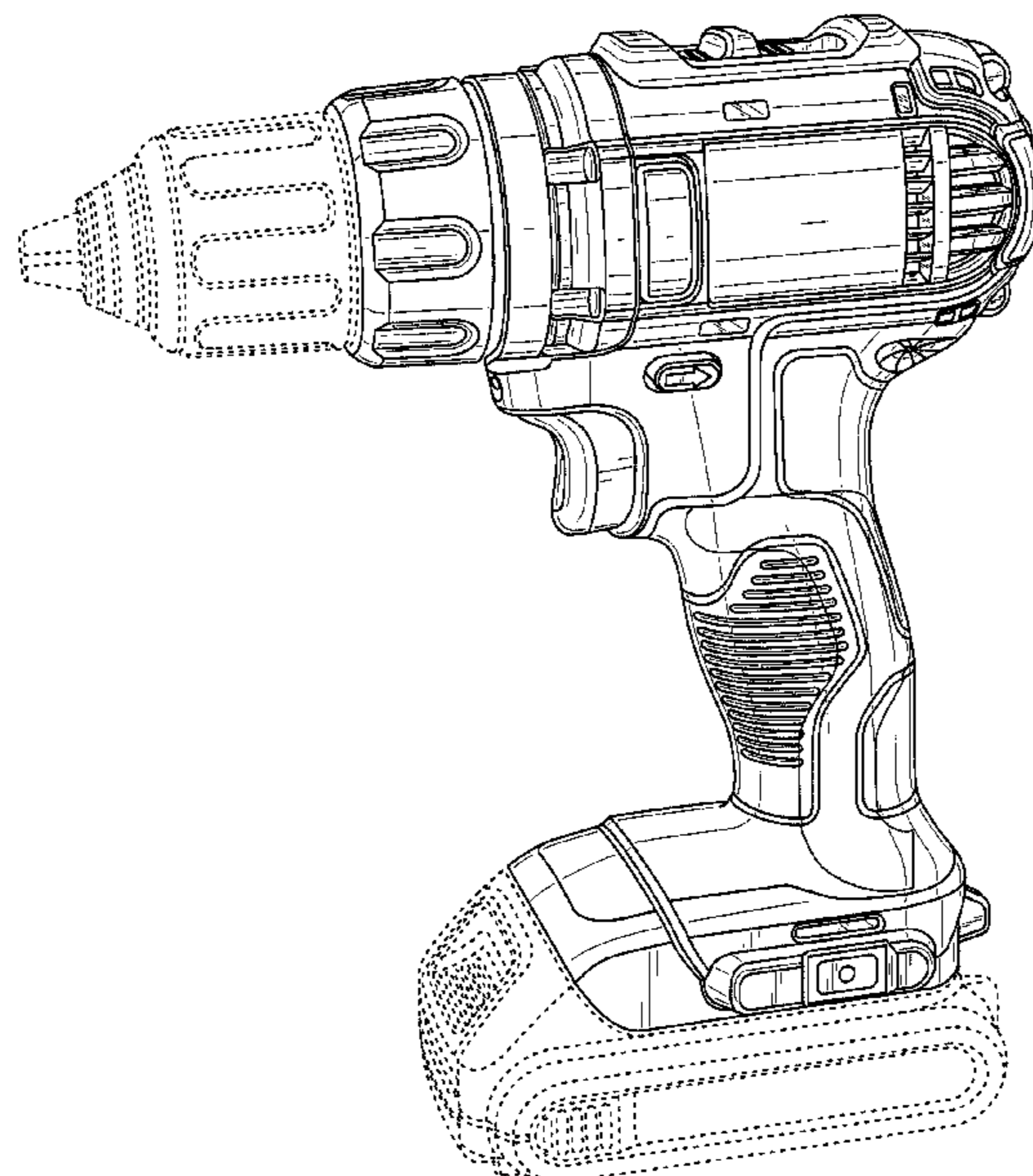
(57) **CLAIM**

The ornamental design for a drill, as shown and described.

DESCRIPTION

FIG. 1 is a perspective view of the drill.
FIG. 2 is a front view thereof.
FIG. 3 is a rear view thereof.
FIG. 4 is a right view thereof.
FIG. 5 is a left view thereof.
FIG. 6 is a top view thereof; and,
FIG. 7 is a bottom view thereof.
The broken lines form no part of the claimed design.

1 Claim, 7 Drawing Sheets



U.S. PATENT DOCUMENTS

D475,596	S	6/2003	Ozawa et al.	
D477,205	S	7/2003	Sakai et al.	
6,615,930	B2	9/2003	Bongers-Ambrosius et al.	
D484,385	S	12/2003	Sakai et al.	
6,729,415	B1	5/2004	Huang	
D496,843	S	10/2004	Sugawara et al.	
6,799,643	B2	10/2004	Voulikidis et al.	
D499,945	S	12/2004	Sugawara et al.	
D500,653	S	1/2005	Concari	
6,905,052	B2	6/2005	Sakai et al.	
D508,642	S	8/2005	Kokawa et al.	
D508,836	S	8/2005	Schiller et al.	
D509,119	S	9/2005	Schiller et al.	
D519,808	S	5/2006	Otsuka et al.	
D520,832	S	5/2006	Ozawa et al.	
D524,136	S	7/2006	Taniguchi et al.	
D525,099	S	7/2006	Nagasaka et al.	
D525,505	S	7/2006	Ito et al.	
D525,848	S	8/2006	Kokawa	
D527,237	S	8/2006	Otsukka et al.	
D527,971	S	9/2006	Kokawa et al.	
D528,888	S	9/2006	Nagasaka et al.	
7,108,079	B2	9/2006	Sakai et al.	
D531,476	S	11/2006	Kokawa et al.	
D532,667	S *	11/2006	Tsai et al. D8/68	
7,134,510	B2	11/2006	Justis et al.	
7,140,451	B2	11/2006	Yoshimizu et al.	
D533,422	S	12/2006	Ino et al.	
D533,423	S	12/2006	Ino et al.	
D539,110	S	3/2007	Okuda	
7,185,998	B2	3/2007	Oomori et al.	
D540,639	S	4/2007	Watson	
D540,640	S	4/2007	Clay	
D543,081	S	5/2007	Watson	
D545,159	S	6/2007	Schoen et al.	
D546,154	S	7/2007	Fong et al.	
D551,047	S	9/2007	Lopano	
D556,002	S	11/2007	Ino	
7,325,627	B2	2/2008	Tanji	
D611,319	S *	3/2010	Van Wambeke et al. D8/68	
D617,621	S *	6/2010	Houghton et al. D8/68	
D626,394	S *	11/2010	Lopano D8/68	
2002/0100347	A1	8/2002	Daubinger et al.	
2003/0159843	A1	8/2003	Sakai et al.	
2004/0029426	A1	2/2004	Lui et al.	
2004/0106036	A1	6/2004	Geis et al.	
2005/0121209	A1	6/2005	Shimizu et al.	
2005/0269884	A1	12/2005	Teranishi et al.	
2006/0048959	A1	3/2006	Sakai et al.	
2006/0060366	A1	3/2006	Bodine et al.	
2006/0075605	A1	4/2006	Lagaly et al.	
2006/0102367	A1	5/2006	Etter et al.	
2006/0143866	A1	7/2006	Lagaly et al.	
2006/0175069	A1	8/2006	Sakakibara et al.	
2006/0243469	A1	11/2006	Webster	
2007/0277987	A1	12/2007	Meyer et al.	

FOREIGN PATENT DOCUMENTS

DE	3324545	A1	1/1985
DE	19716804	A1	10/1998
DE	29918101	1 U	3/2000
DE	19933015	A1	5/2000
DE	10124537	A1	2/2002
DE	10260324	A1	9/2003
DE	102006020172	A1	11/2007
EP	0142650	A2	5/1985
EP	0261260	A1	3/1988
EP	0868265	A1	10/1998
EP	1033207	A2	9/2000
EP	1321246	A2	6/2003
EP	1364138	A1	11/2003
EP	1449625	A2	8/2004
EP	1516702	A2	3/2005
EP	1533086	A1	5/2005
EP	1690649	A1	8/2006
EP	1795311	A2	6/2007
EP	1903657	A2	3/2008
GB	2169541	A	7/1986
JP	9239672	A	9/1997
JP	10044054	A	2/1998
JP	10086078	A	4/1998
JP	2000070777	A	3/2000
JP	2001198856	A	7/2001
JP	2003039346	A	2/2003
JP	20033211374	A	7/2003
JP	2003290689	A	10/2003
JP	2004174670	A	6/2004
JP	2004174671	A	6/2004
JP	2004249422	A	9/2004
JP	2004261906	A	9/2004
JP	2005199406	A	7/2005
JP	2005297119	A	10/2005
JP	2006000948	A	1/2006
JP	2006116626	A	5/2006
JP	2006123086	A	5/2006
JP	2007307626	A	11/2007
WO	2008/035811	A1	3/2008
WO	2008/058788	A1	5/2008
WO	2008/090830	A1	7/2008
WO	2009/001592	A1	12/2008

OTHER PUBLICATIONS

Drawings and photographs of power tools existing before the filing date of the present application; Powerpoint presentation.
 Drawing and photograph of power tools existing before the filing date of the present application; Panasonic Power Tool—online: http://www2.panasonic.com/consumer-electronics/shop/Building-Products/Cordless-Tools/Drill-Drivers/model.EY7440LN2S_11002_700000000000005702; printed Feb. 7, 2008.
 Hitachi Cordless Driver Drill DB1ODL, Handling instructions, http://www.hitachi-koki.com/manual_view_export/pdf_manual_view.do?implementationWorkNumber=710&partsCode=C99167821&model=DB1ODL&marketSeq=5, online, cover page, pp. 1 and 48, printed Apr. 1, 2009.

* cited by examiner

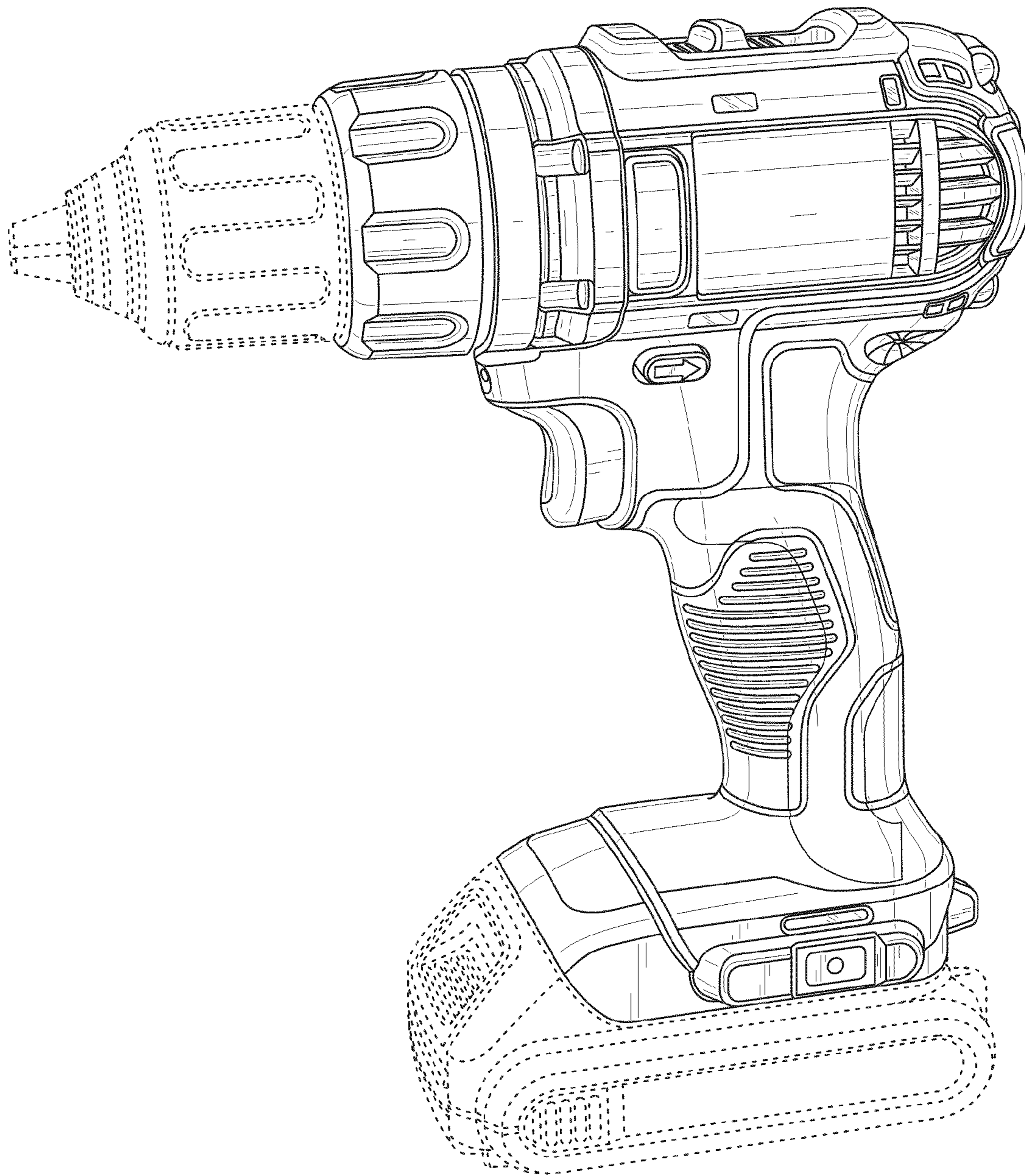


FIG. 1

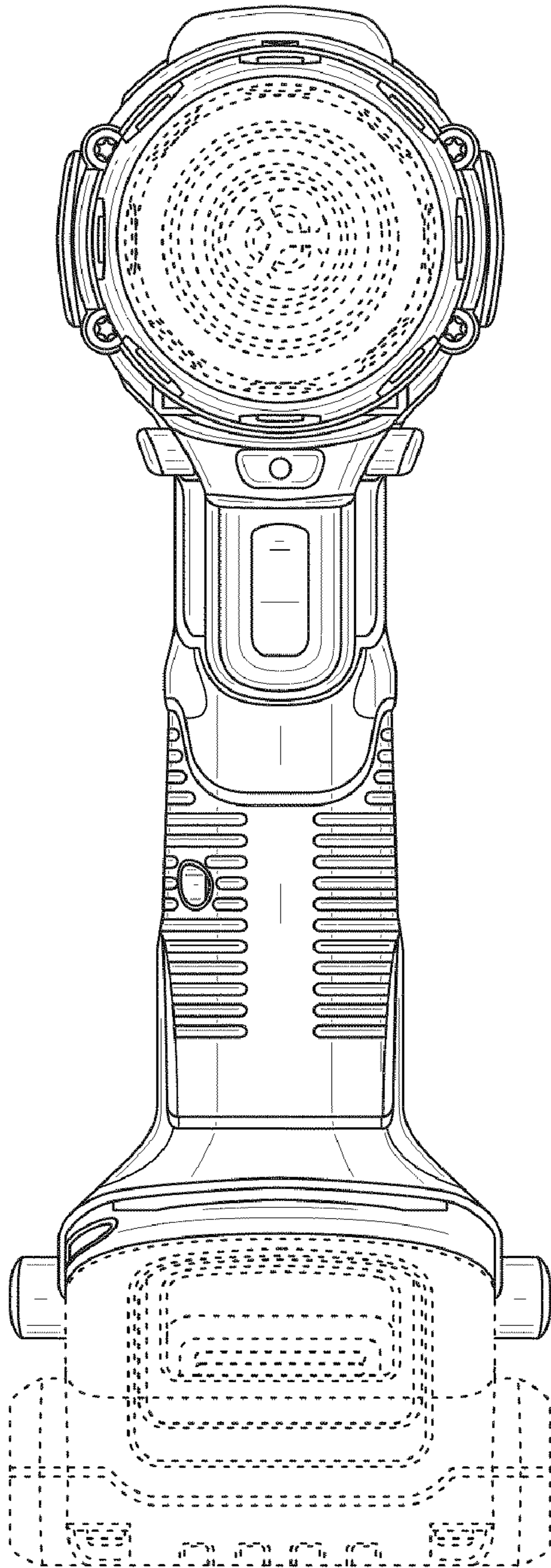


FIG. 2

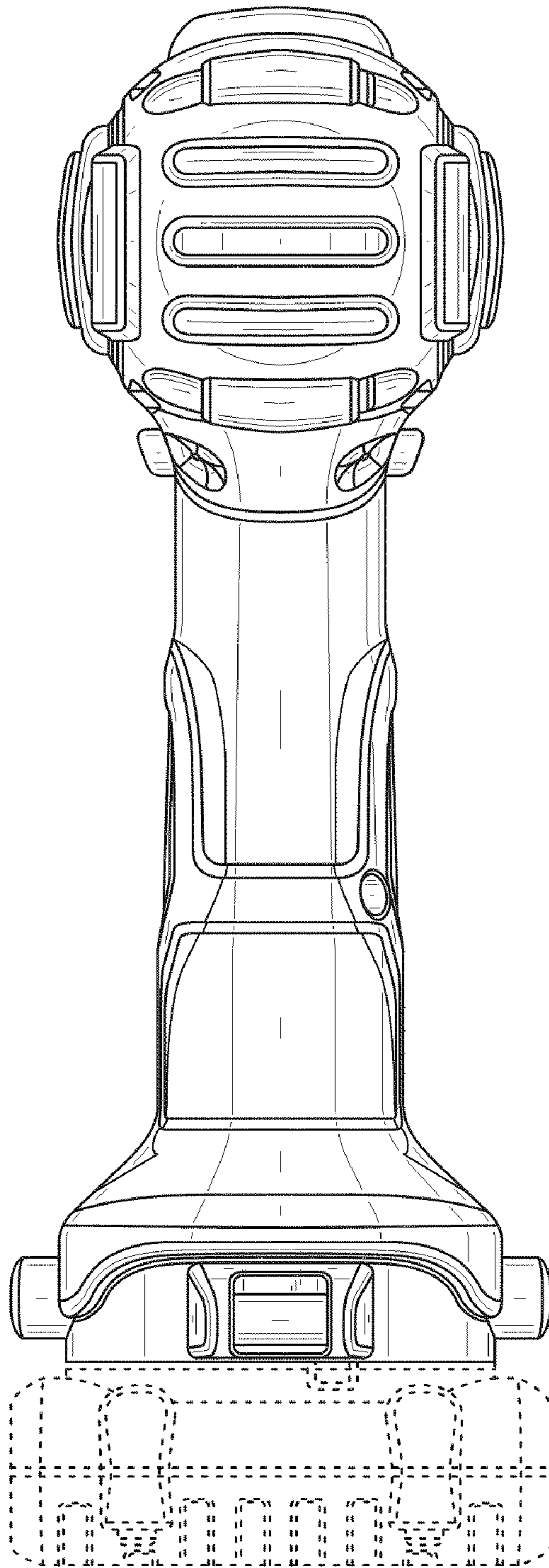


FIG. 3

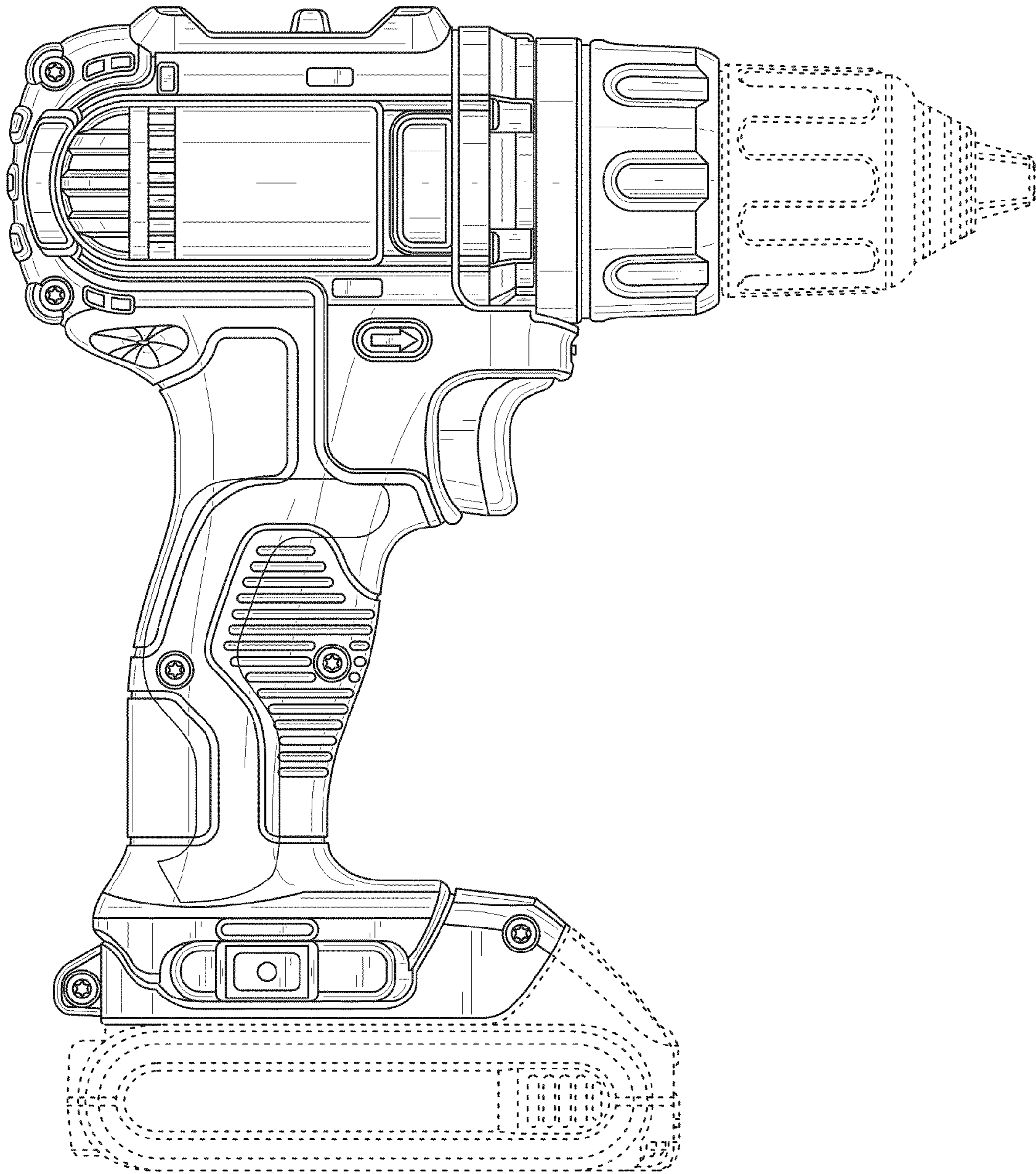


FIG. 4

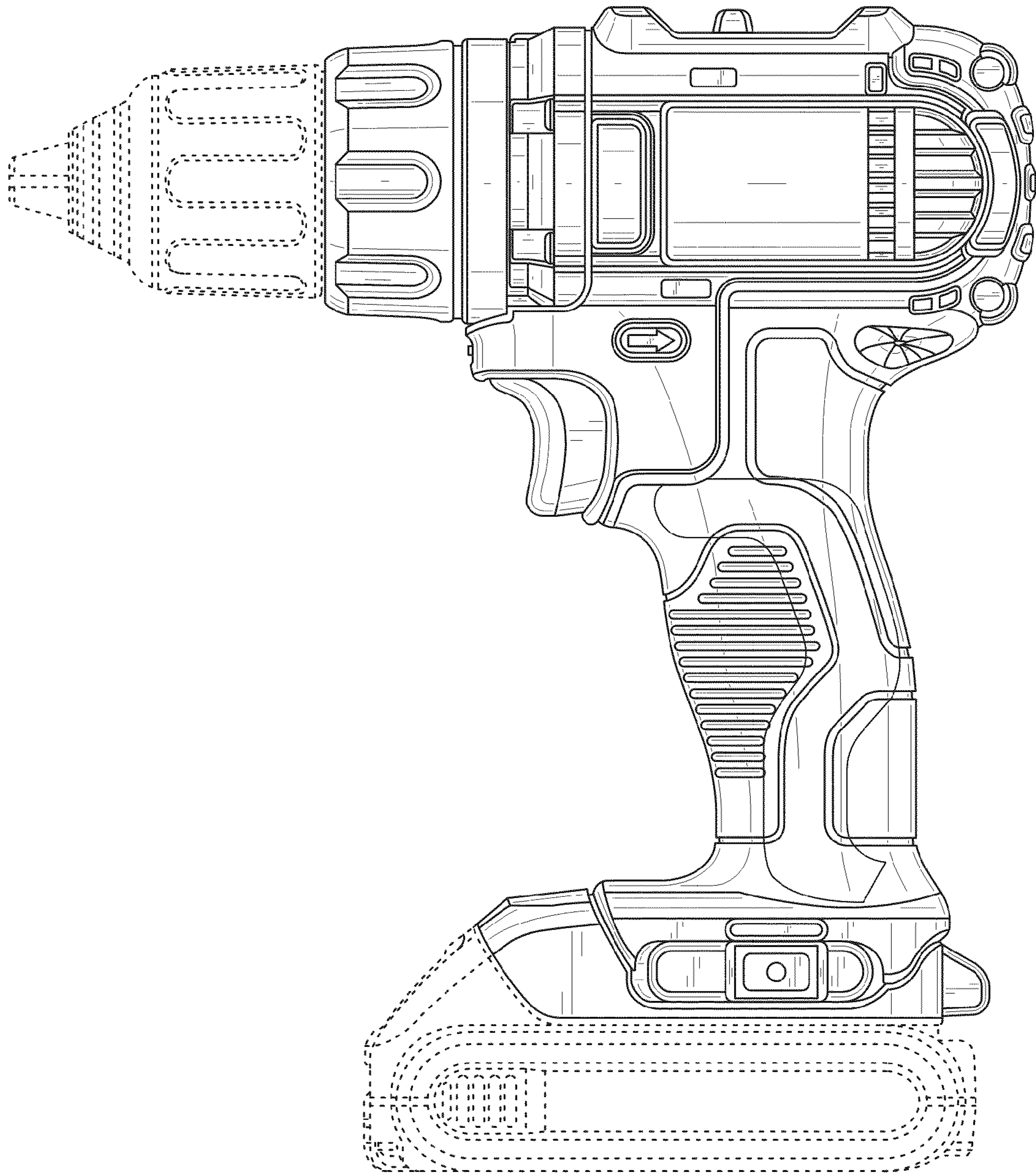


FIG. 5

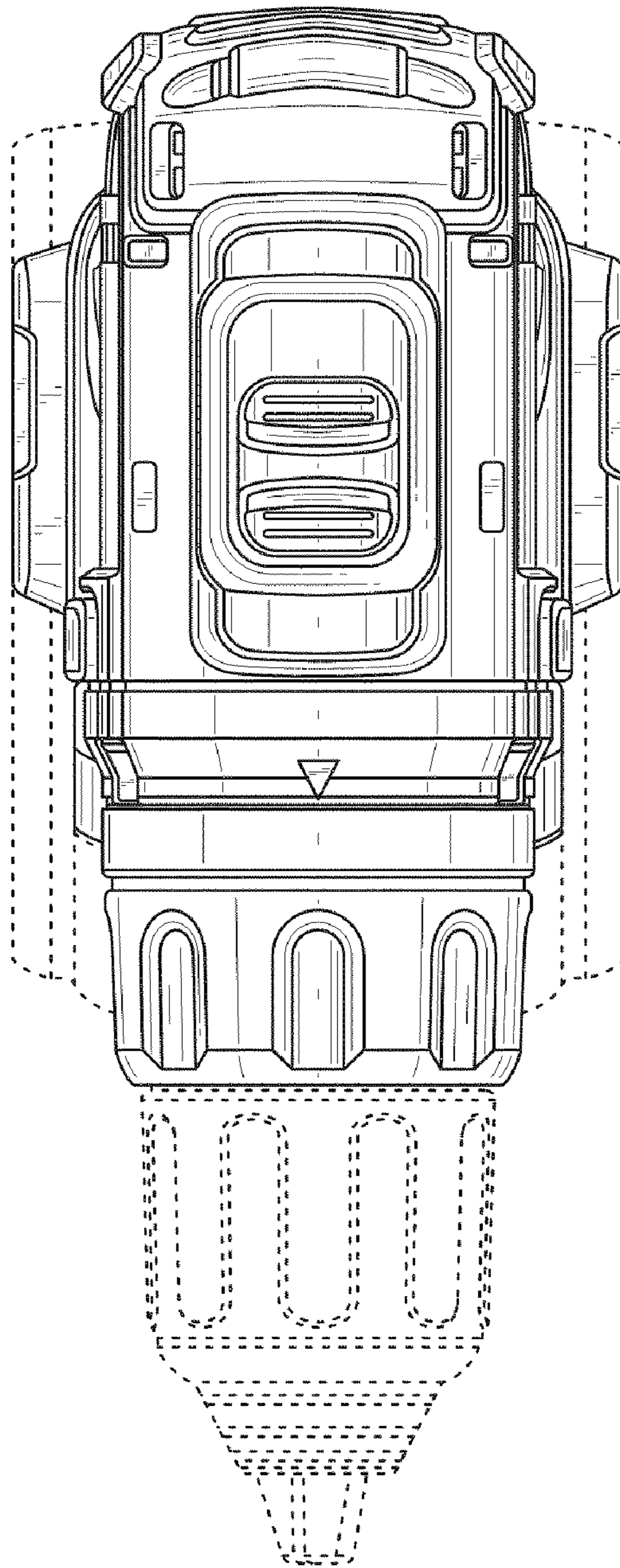


FIG. 6

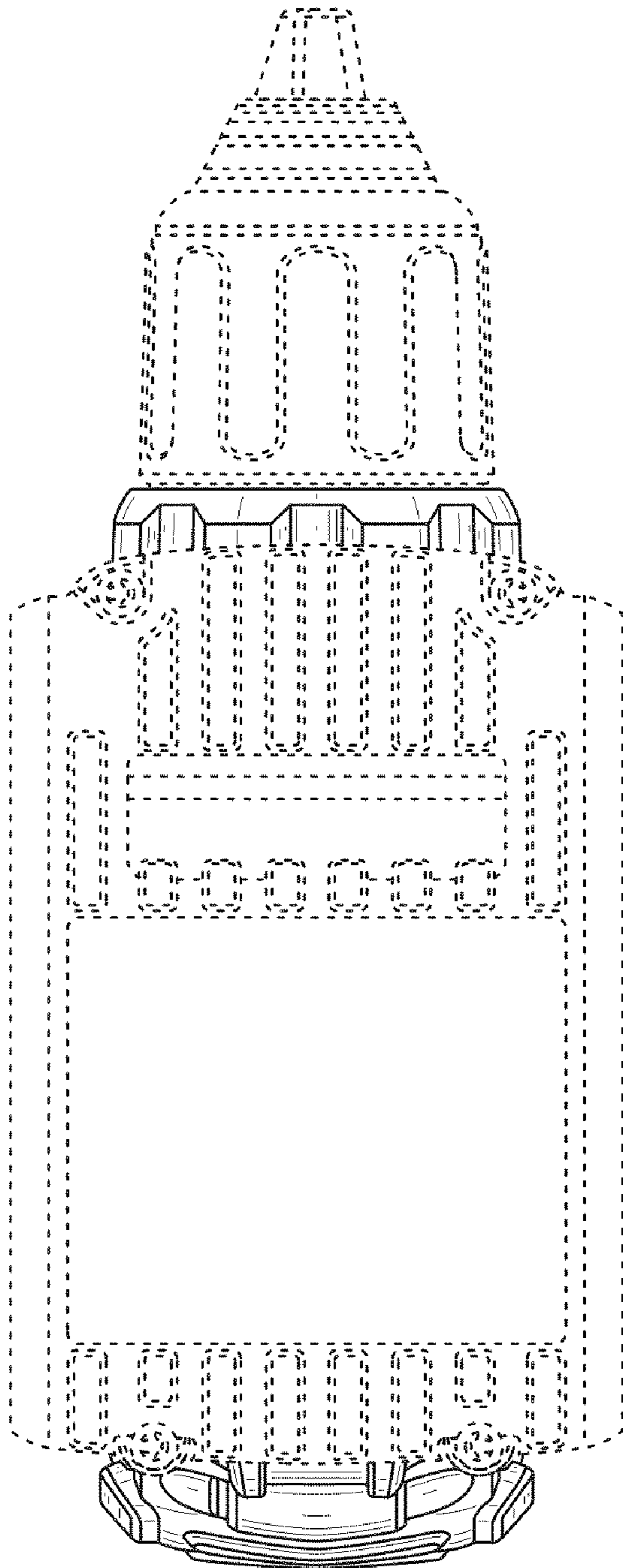


FIG. 7