



US00D646939S

(12) **United States Design Patent**
Johnson

(10) **Patent No.:** **US D646,939 S**

(45) **Date of Patent:** **** Oct. 18, 2011**

(54) **LONG NECKED SOCKET WRENCH**

(76) Inventor: **Robert L. Johnson**, Grain Valley, MO
(US)

(**) Term: **14 Years**

(21) Appl. No.: **29/372,522**

(22) Filed: **Dec. 2, 2010**

(51) **LOC (9) Cl.** **08-05**

(52) **U.S. Cl.** **D8/29**

(58) **Field of Classification Search** D8/21-30,
D8/82, 107; 81/60, 177.1, 177.85, 121.1,
81/124.3, 165-170, 110.1, 176.2, 124.6,
81/176.1, 176.15, 185, 177.2; 16/110.1;
D15/144.1; 219/75, 227, 229, 121.16, 121.18
See application file for complete search history.

(56) **References Cited**

U.S. PATENT DOCUMENTS

1,590,200	A *	6/1926	McGuckin	81/120
1,677,473	A *	7/1928	Gast	7/138
2,875,660	A *	3/1959	Svenson	81/185
3,250,158	A *	5/1966	Mahall	81/185
3,285,106	A *	11/1966	Svenson	81/185
4,348,922	A *	9/1982	Harris et al.	81/180.1

D290,581	S *	6/1987	Hughes	D8/347
5,009,133	A *	4/1991	Carey	81/180.1
D409,062	S *	5/1999	Braley	D8/29
5,937,715	A *	8/1999	Lin	81/185
5,950,508	A *	9/1999	Rossi	81/451
6,467,379	B1 *	10/2002	Wizman	81/185
D525,839	S *	8/2006	Rauckman	D8/29

* cited by examiner

Primary Examiner — Raphael Barkai

Assistant Examiner — Randall H Gholson

(74) *Attorney, Agent, or Firm* — Kenneth W. Iles

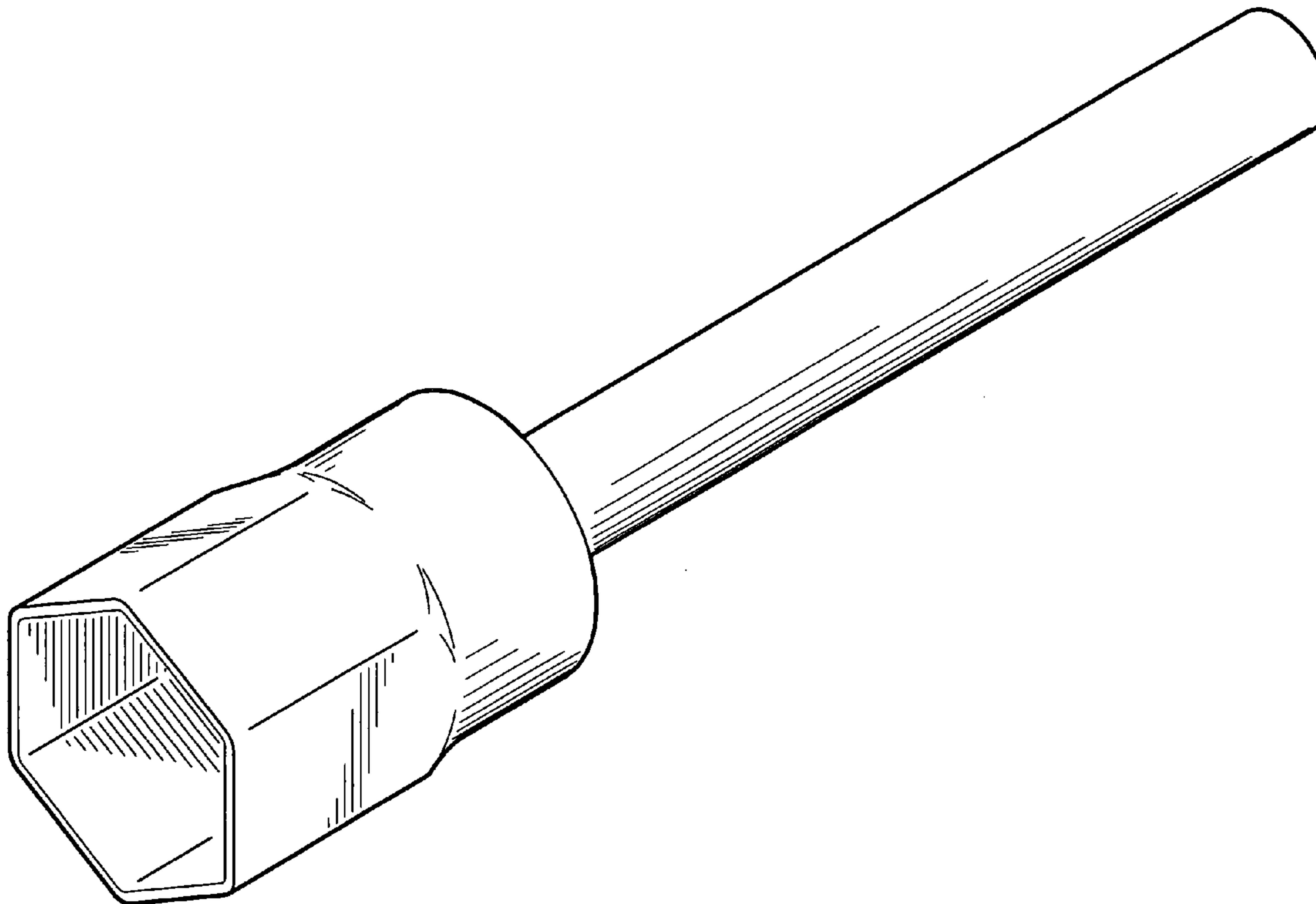
(57) **CLAIM**

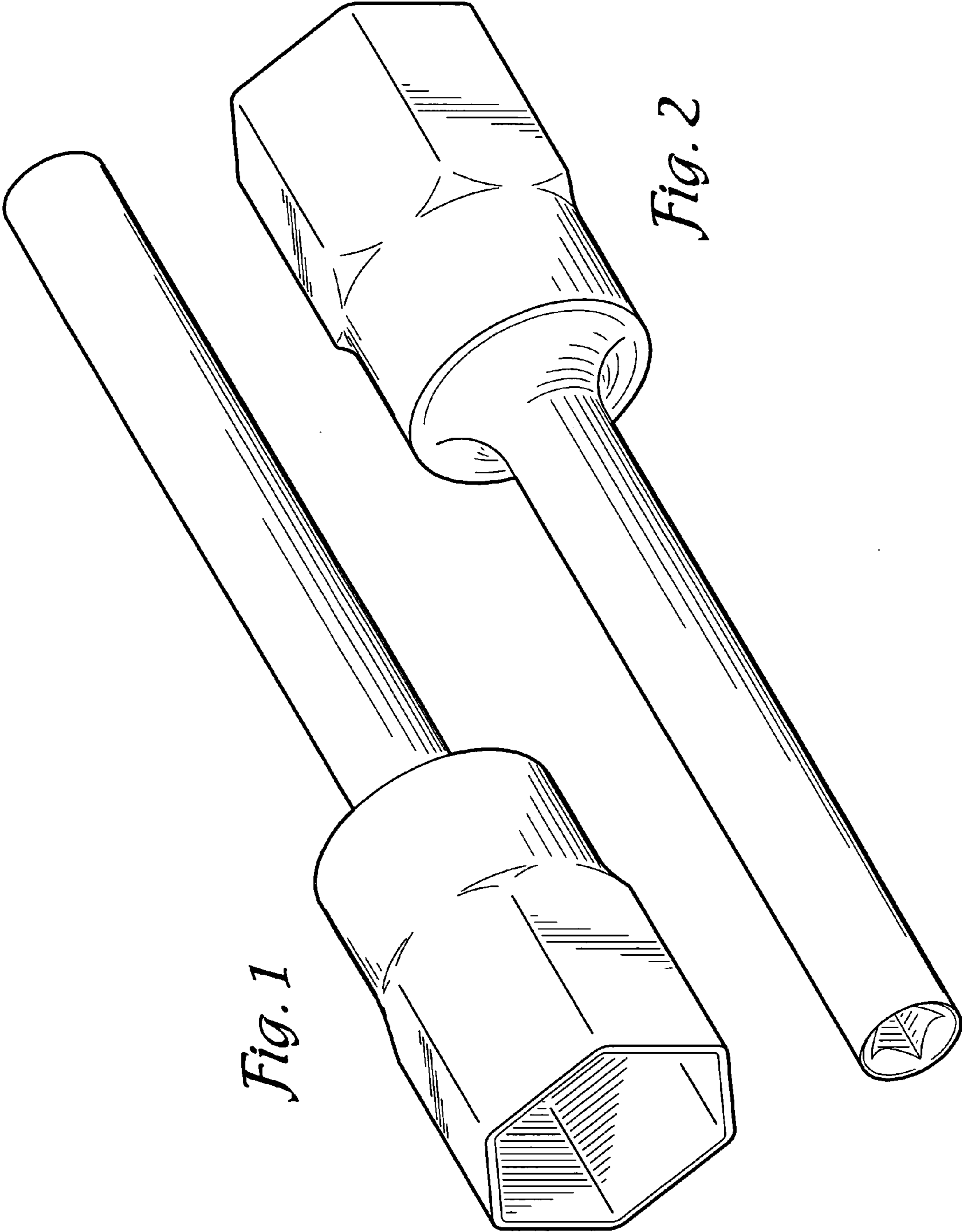
The ornamental design for a long necked socket wrench, as shown and described.

DESCRIPTION

FIG. 1 is a bottom isometric of the socket wrench extension showing my new design;
FIG. 2 is a top isometric view thereof;
FIG. 3 a front view thereof;
FIG. 4 is a side view thereof;
FIG. 5 is a bottom view thereof; and,
FIG. 6 is a bottom view thereof.

1 Claim, 3 Drawing Sheets





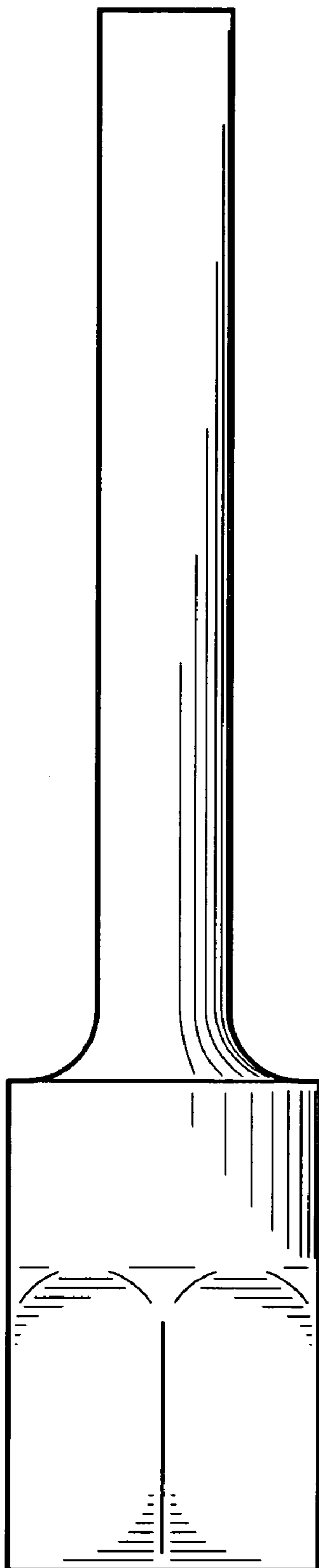


Fig. 3

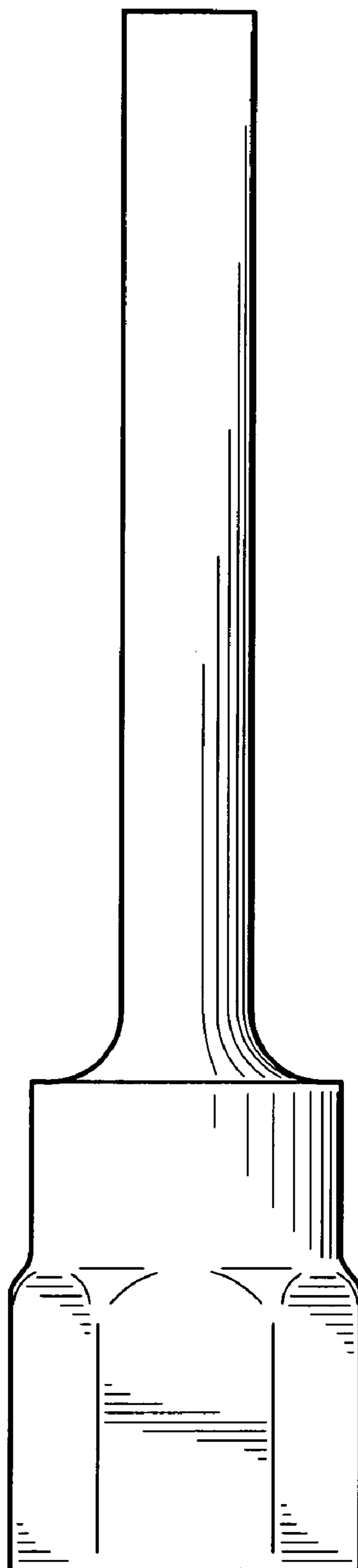


Fig. 4

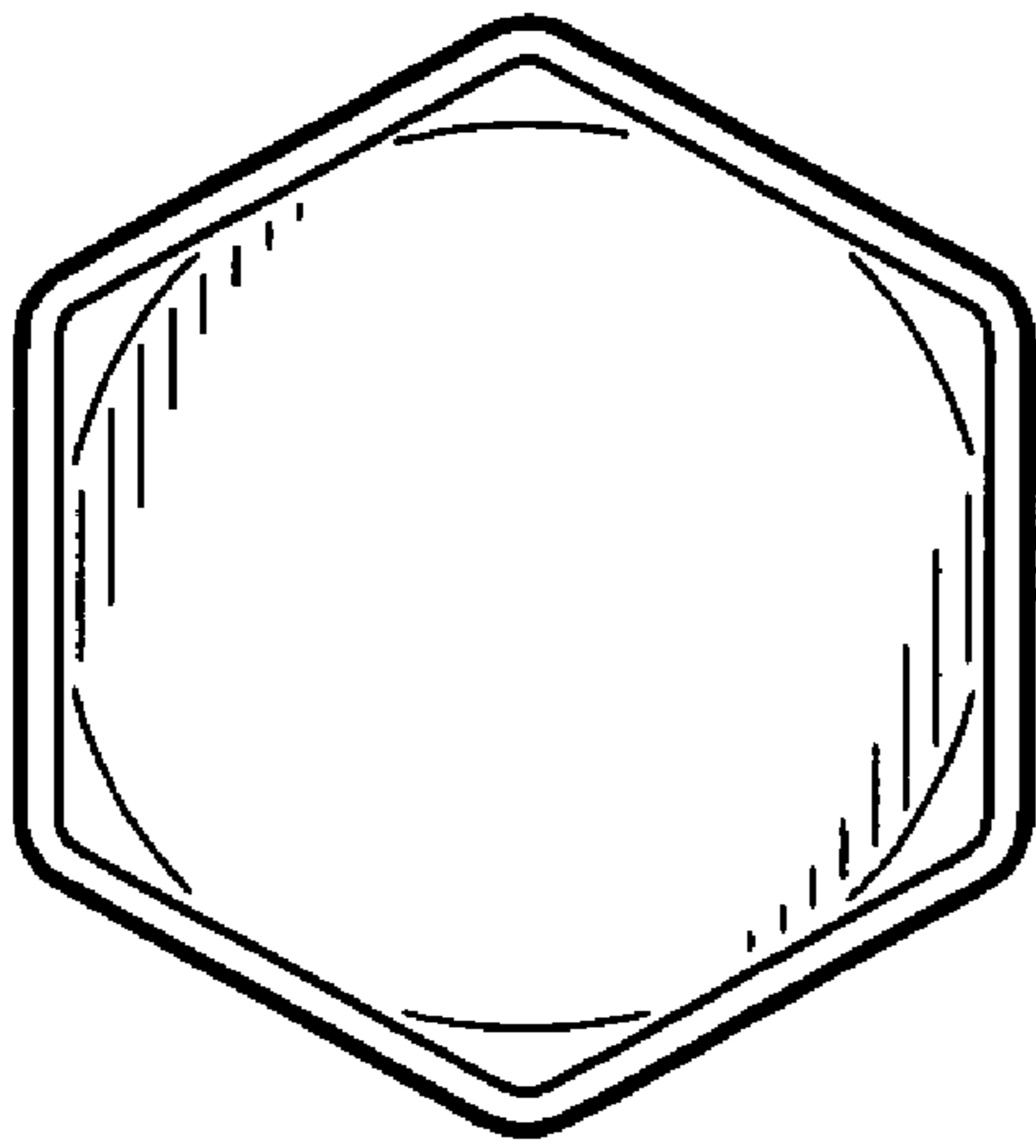


Fig. 5

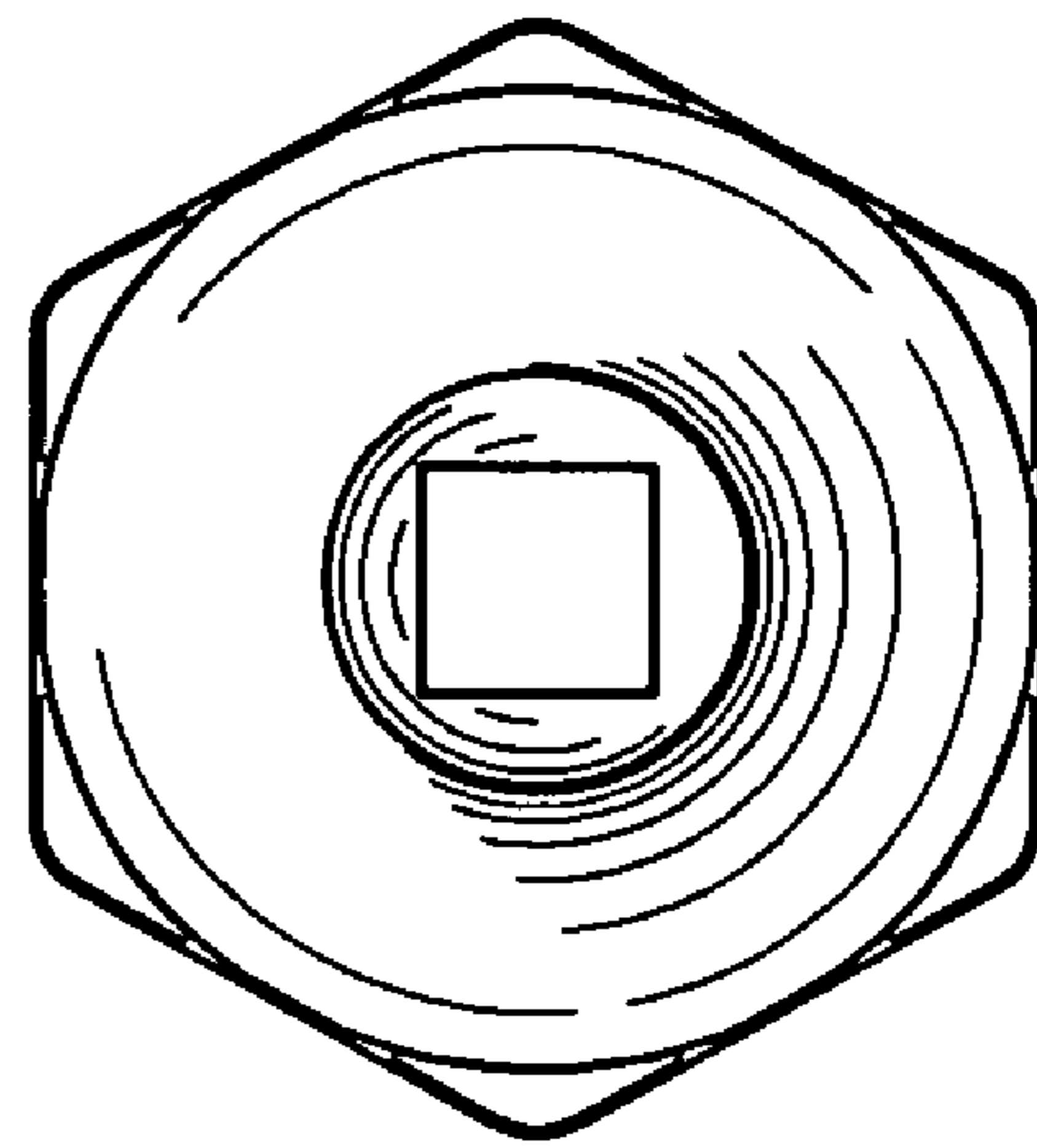


Fig. 6