



US00D646936S

(12) **United States Design Patent**
Kennedy

(10) **Patent No.:** **US D646,936 S**

(45) **Date of Patent:** **** Oct. 18, 2011**

(54) **FERTILIZER MIXER AND DISPENSER**

(76) **Inventor:** **Dennis W. Kennedy**, Westminster, CO
(US)

(**) **Term:** **14 Years**

(21) **Appl. No.:** **29/346,661**

(22) **Filed:** **Nov. 4, 2009**

(51) **LOC (9) Cl.** **08-01**

(52) **U.S. Cl.** **D8/1**

(58) **Field of Classification Search** D8/1, 2;
422/285; 137/268; 47/48.5

See application file for complete search history.

(56) **References Cited**

U.S. PATENT DOCUMENTS

D119,475	S	*	3/1940	Paskewitz	D8/2
2,330,328	A		9/1943	Bachman		
2,340,205	A		1/1944	Pinkerton		
2,789,010	A	*	4/1957	Dean	239/434
2,869,926	A		1/1959	Lundquist		
3,194,444	A	*	7/1965	Hubert	137/205.5
4,340,078	A		7/1982	Pasley		
4,870,991	A		10/1989	McMillan et al.		
4,995,418	A		2/1991	Cervola		

D322,838	S	*	12/1991	Hagedorn	D23/225
D346,425	S		4/1994	Hamlett		
D360,253	S	*	7/1995	Mursch	D23/225
D368,129	S		3/1996	Peeples		
6,325,926	B1		12/2001	Hansen		
6,722,527	B1	*	4/2004	Krauss	222/1
7,093,606	B2		8/2006	Roberts		

* cited by examiner

Primary Examiner — Robin V Webster

(74) *Attorney, Agent, or Firm* — Crossley Patent Law; Mark A. Crossley

(57) **CLAIM**

The ornamental design for a fertilizer mixer and dispenser, as shown and described.

DESCRIPTION

FIG. 1 is a front elevation view of a fertilizer mixer and dispenser showing my new design, the opposite side being a mirror image of the shown;

FIG. 2 is a left elevation view thereof;

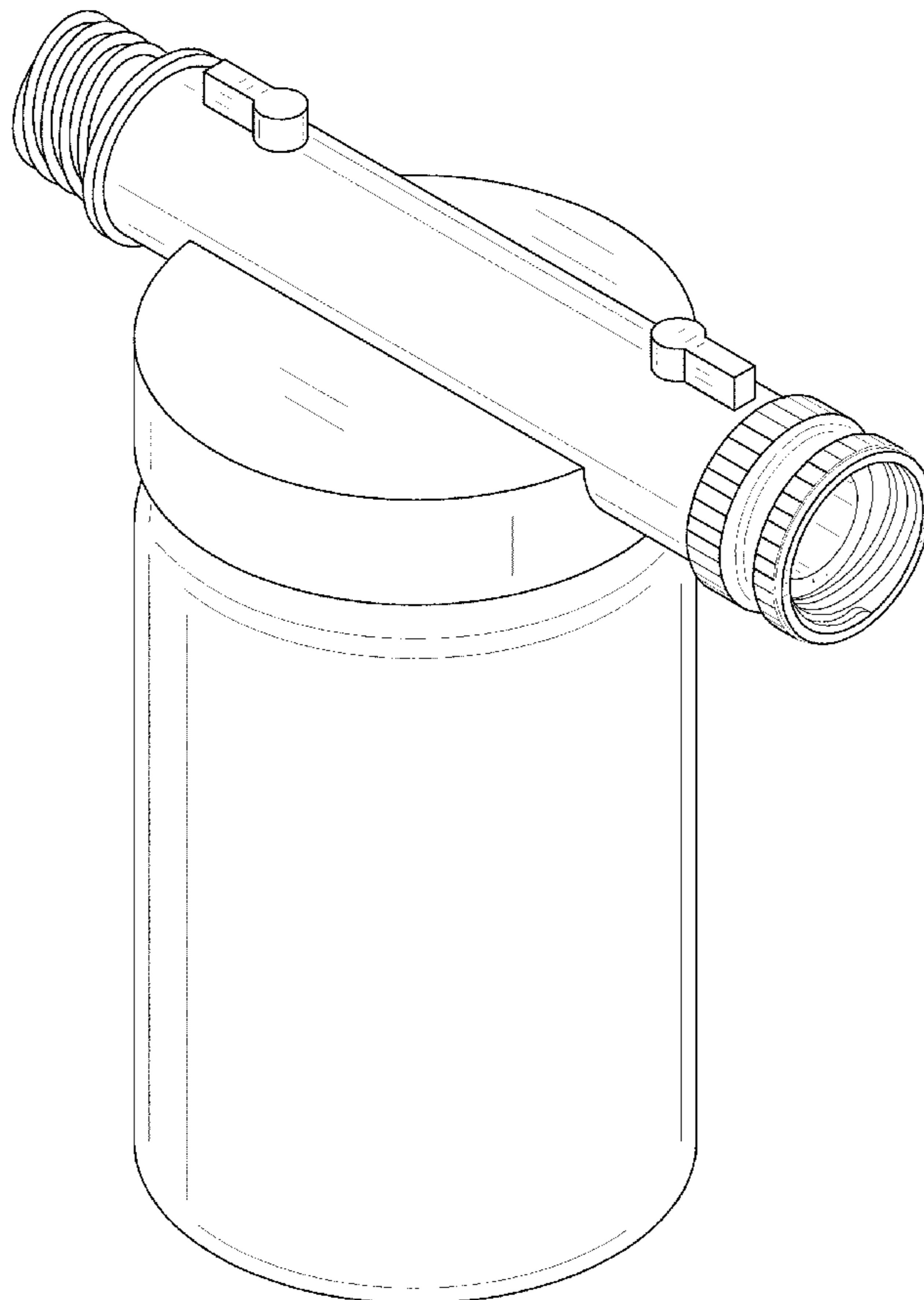
FIG. 3 is a right elevation view thereof;

FIG. 4 is a top plan view thereof;

FIG. 5 is a bottom plan view thereof; and,

FIG. 6 is an isometric view thereof.

1 Claim, 4 Drawing Sheets



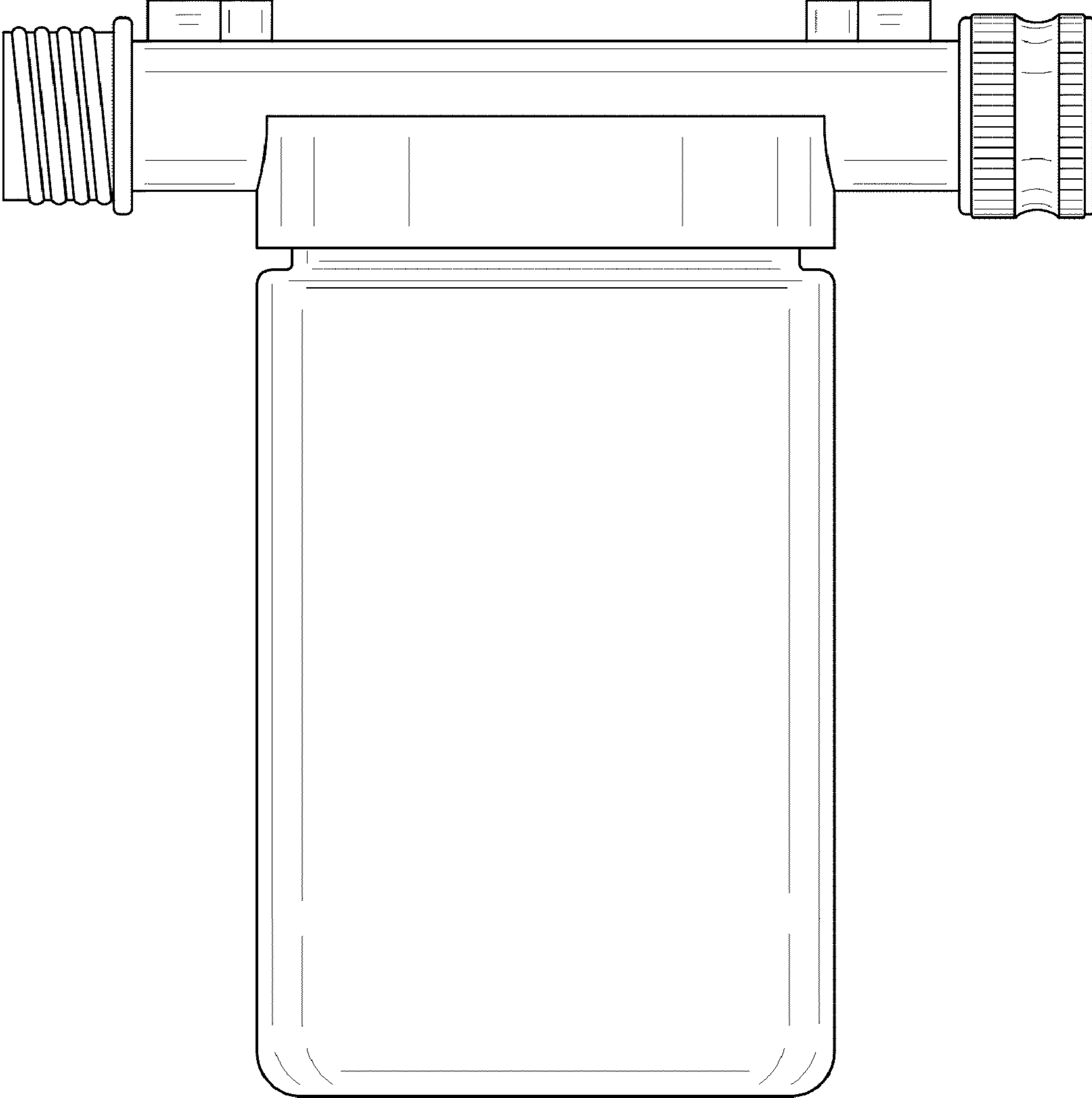


FIG. 1

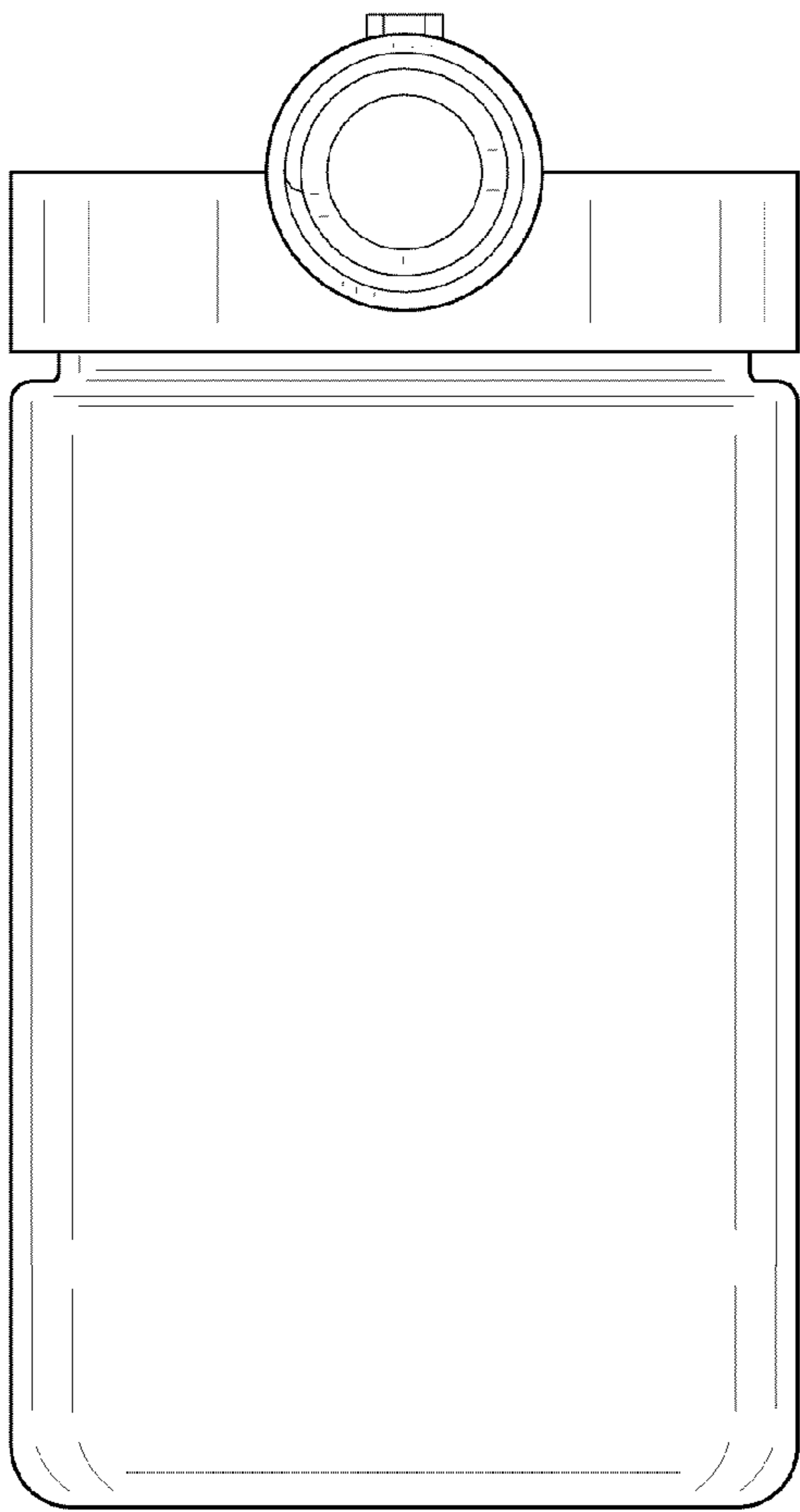


FIG. 2

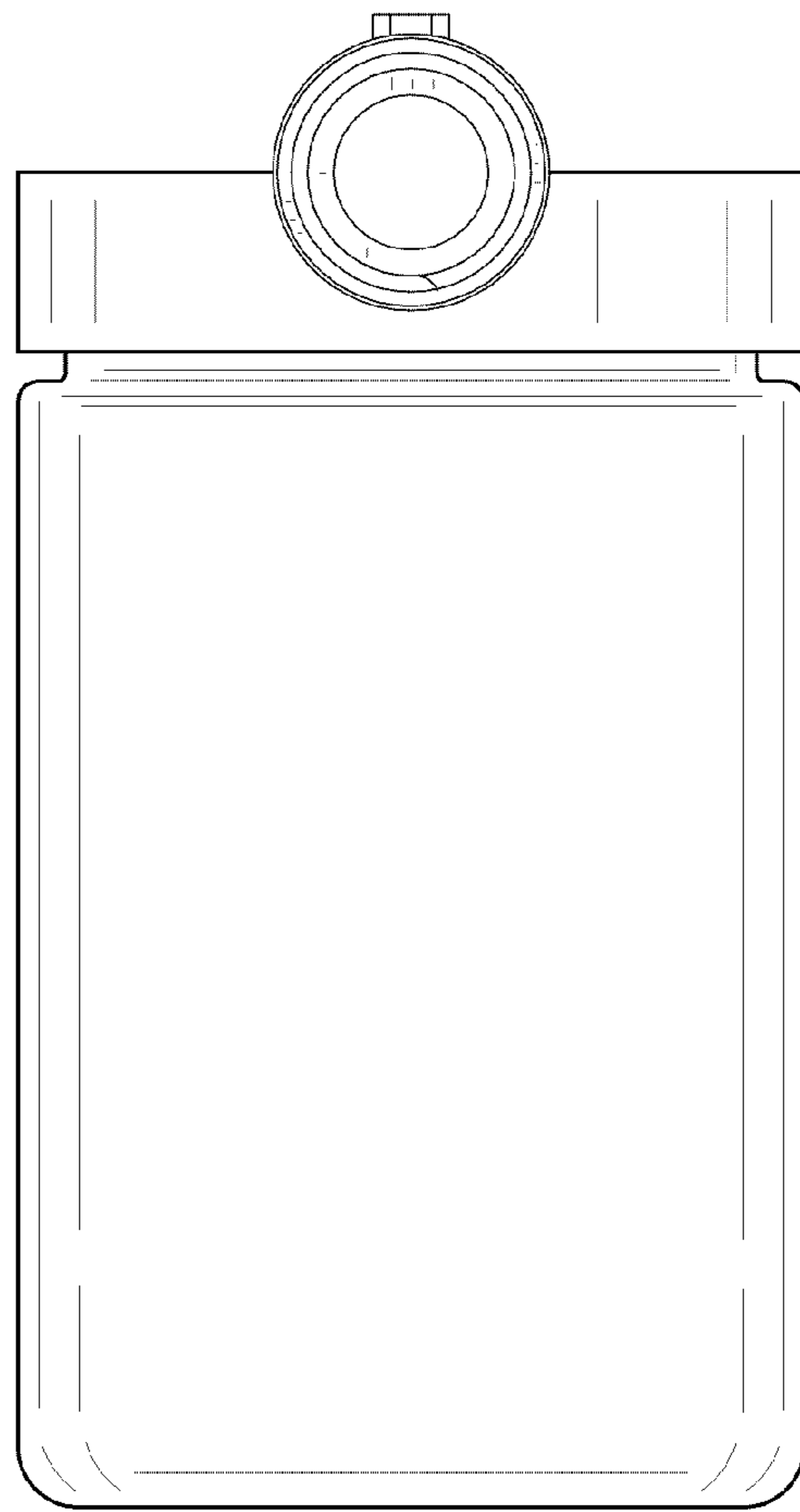


FIG. 3

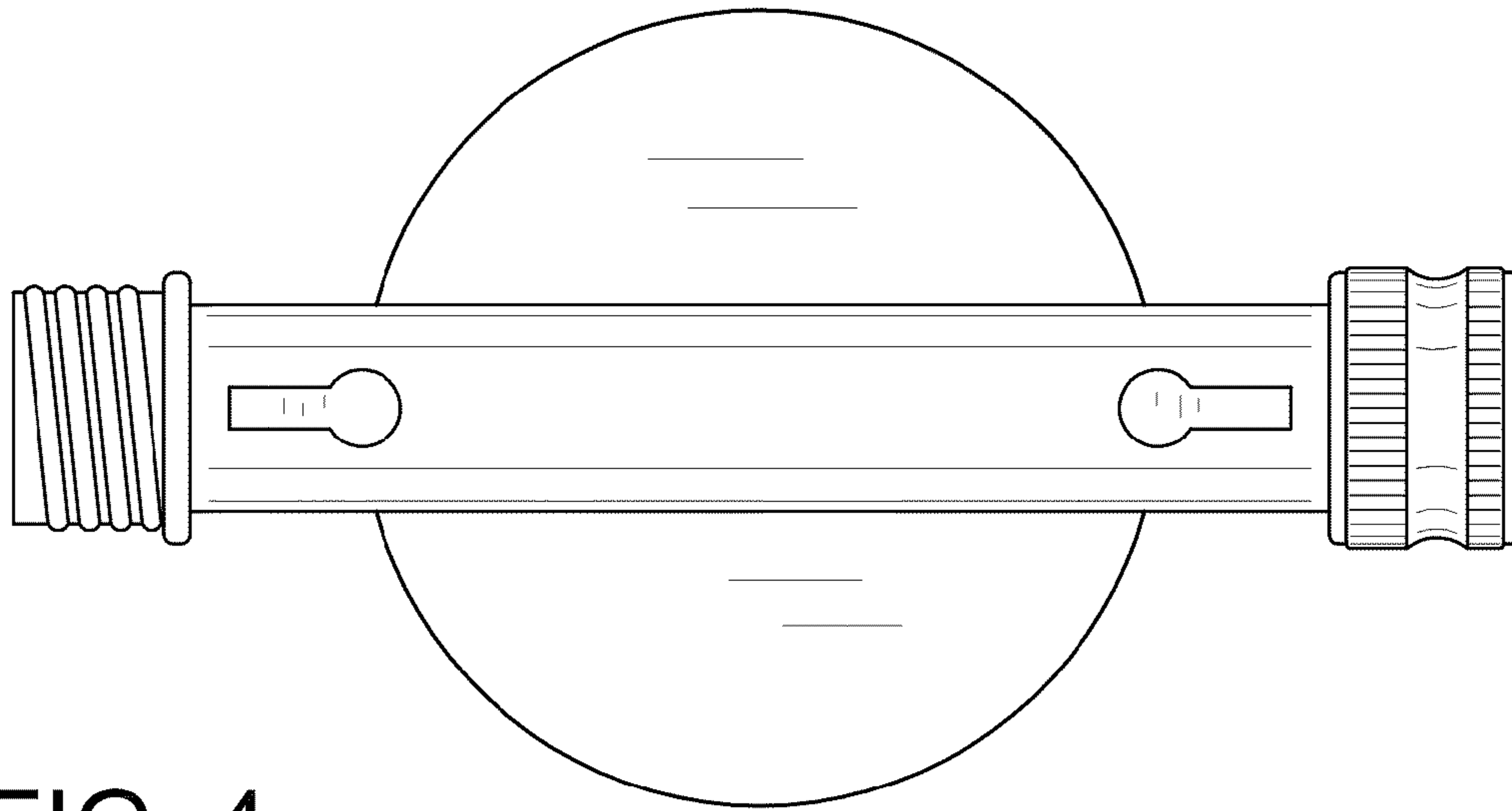


FIG. 4

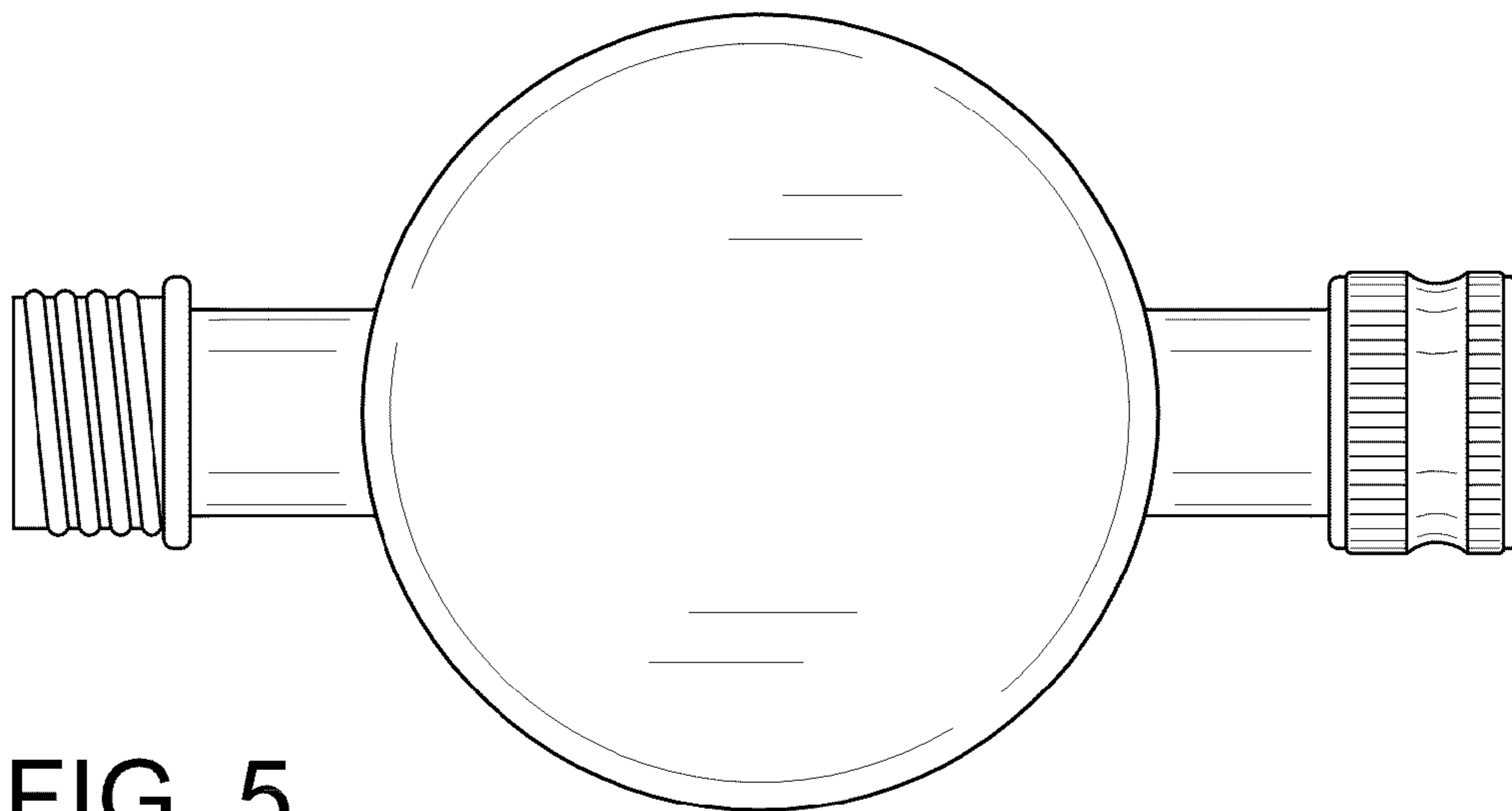


FIG. 5

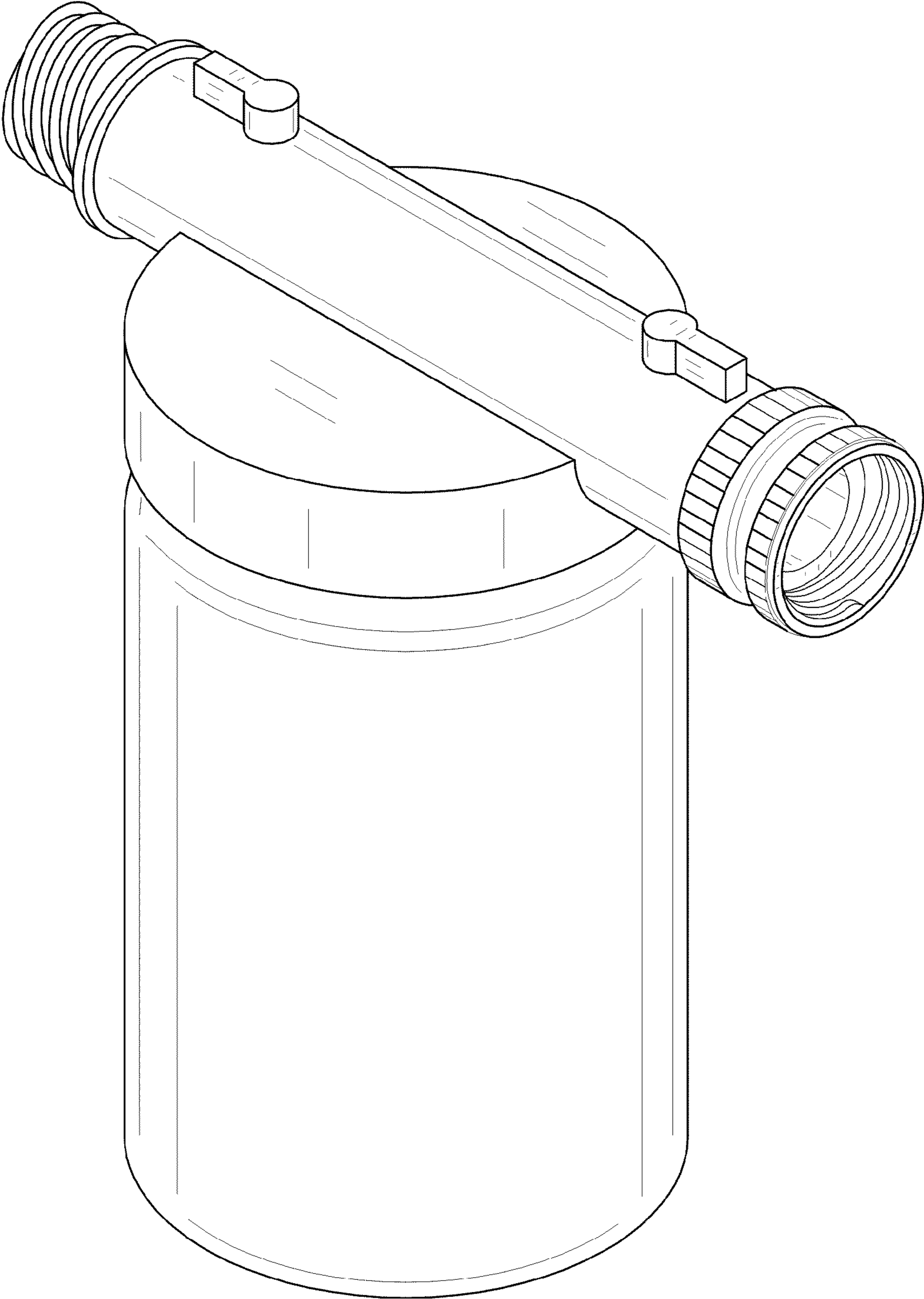


FIG. 6