



US00D646934S

(12) **United States Design Patent**  
**Peters et al.**

(10) **Patent No.:** **US D646,934 S**  
(45) **Date of Patent:** **\*\* Oct. 18, 2011**

(54) **EXPANDABLE MELON STORAGE CONTAINER**

(76) Inventors: **Carol A. Peters**, Warren, OH (US);  
**Charles E. Peters**, Warren, OH (US)

(\*\*) Term: **14 Years**

(21) Appl. No.: **29/355,701**

(22) Filed: **Feb. 12, 2010**

(51) **LOC (9) Cl.** ..... **07-01**

(52) **U.S. Cl.** ..... **D7/602**

(58) **Field of Classification Search** ..... D7/601,  
D7/602, 629, 605, 607, 608, 512, 538, 542,  
D7/586; D9/683; 215/379, 381–385, 900;  
220/9.1, 9.2, 9.3, 9.4, 62.11, 62.13, 660,  
220/666, 667, 668, 669, 907

See application file for complete search history.

(56) **References Cited**

U.S. PATENT DOCUMENTS

2,780,378	A *	2/1957	Romano	.....	215/11.1
3,162,371	A *	12/1964	Palmer et al.	.....	239/327
3,172,577	A *	3/1965	Hartung	.....	222/206
D204,967	S *	5/1966	Wallace	.....	D12/345
D238,710	S *	2/1976	Canciuca	.....	D24/117
D241,884	S *	10/1976	Gross	.....	D24/115
D278,014	S	3/1985	Faris		
D307,850	S *	5/1990	Aoki et al.	.....	D7/624.2
D314,119	S	1/1991	Kauffman		
5,139,166	A	8/1992	Smith		
D370,388	S *	6/1996	Cusick et al.	.....	D7/512
D372,669	S *	8/1996	Mazda	.....	D9/683
D375,661	S	11/1996	Ross et al.		
5,573,129	A *	11/1996	Nagata et al.	.....	215/382
D378,724	S	4/1997	Young et al.		
5,758,791	A	6/1998	Mangla		
D396,606	S	8/1998	Blazevich		
D397,930	S *	9/1998	Mazda	.....	D9/683
D397,931	S *	9/1998	Mazda	.....	D9/683
D397,932	S *	9/1998	Mazda	.....	D9/683
D397,933	S *	9/1998	Mazda	.....	D9/683
D401,344	S *	11/1998	Bonds	.....	D24/197
5,869,120	A	2/1999	Blazevich		
6,022,571	A	2/2000	Blazevich		

6,168,813	B1	1/2001	Blazevich		
D467,166	S *	12/2002	Gerenraich	.....	D9/683
6,581,795	B1	6/2003	Schülein et al.		
D493,724	S *	8/2004	Higuchi	.....	D9/683
D507,939	S	8/2005	Mitchell, Jr.		
D510,035	S *	9/2005	Higuchi	.....	D9/683
D526,907	S *	8/2006	Higuchi	.....	D9/683
D527,588	S *	9/2006	de Groot et al.	.....	D7/693

(Continued)

*Primary Examiner* — Elizabeth J Oswecki

(74) *Attorney, Agent, or Firm* — Montgomery Patent and Design; Robert C. Montgomery; Joseph T. Yaksich

(57) **CLAIM**

The ornamental design for an expandable melon storage container, as shown and described.

**DESCRIPTION**

FIG. 1 is a front perspective view of an expandable melon storage container depicted in an expanded state, showing our new design;

FIG. 2 is a front view thereof with a rear view being the mirror image;

FIG. 3 is a left side view thereof with a right side view being the mirror image;

FIG. 4 is a top view thereof;

FIG. 5 is a bottom view thereof;

FIG. 6 is a front view of the expandable melon storage container depicted in a collapsed state with a rear view being the mirror image;

FIG. 7 is a left side view thereof with a right side view being the mirror image;

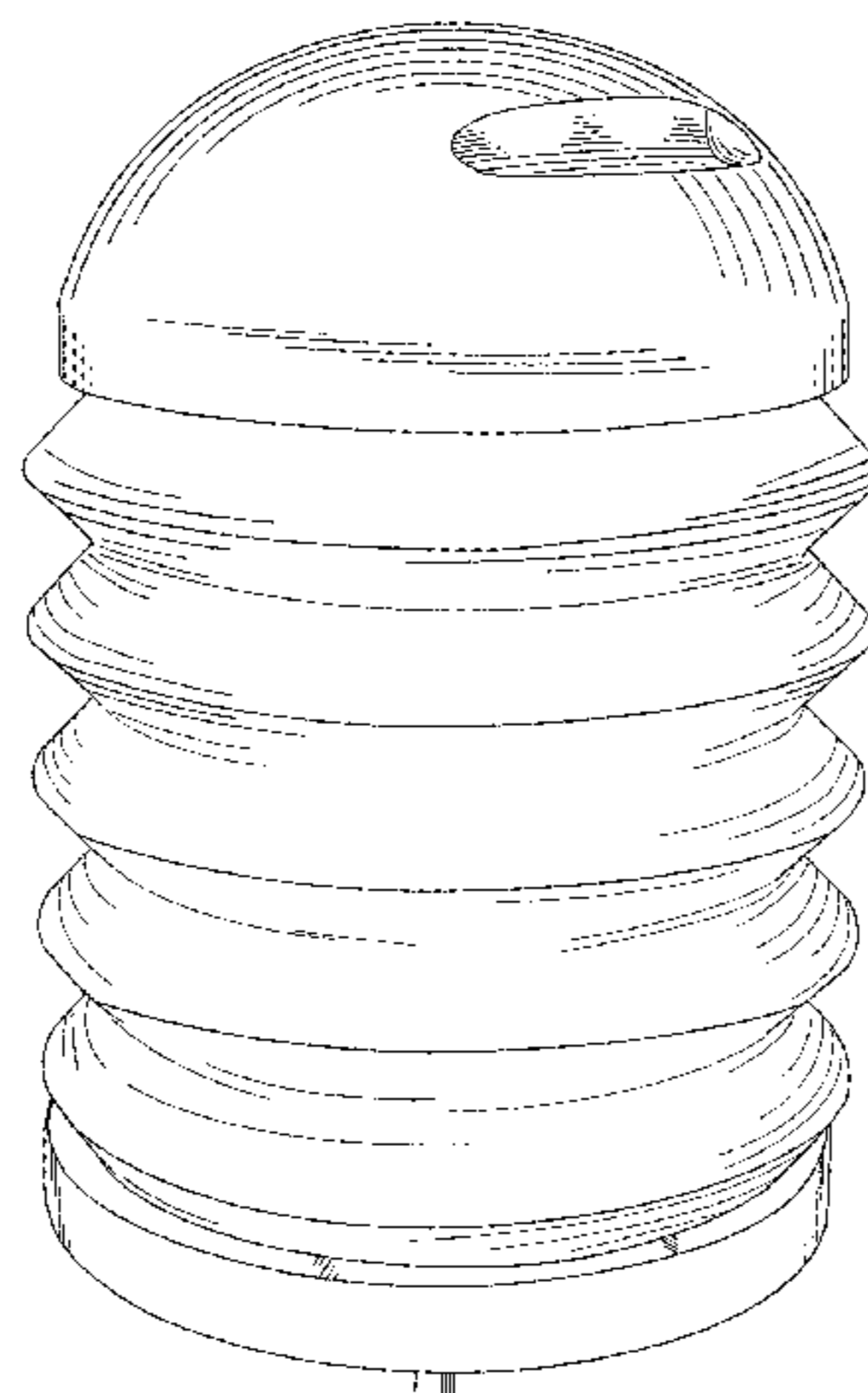
FIG. 8 is an exploded perspective view of the expandable melon storage container depicting a top member in an expanded state;

FIG. 9 is an exploded front view thereof with a rear view being the mirror image;

FIG. 10 is a top view thereof with the top shown separately from the base; and,

FIG. 11 is bottom view of the top member of the expandable melon storage container.

**1 Claim, 11 Drawing Sheets**



# US D646,934 S

Page 2

---

## U.S. PATENT DOCUMENTS

D529,346 S *	10/2006	Charuwongkhachton .....	D7/629	D628,662 S *	12/2010	Heller .....	D21/692
D570,706 S *	6/2008	Kanda .....	D9/683	2005/0127073 A1	6/2005	Kusuma et al.	
D588,874 S *	3/2009	Huang .....	D7/629	2005/0202192 A1*	9/2005	Higuchi .....	428/35.7
D608,161 S *	1/2010	Olivari .....	D7/669	2006/0081555 A1*	4/2006	Mori et al. ....	215/381

\* cited by examiner

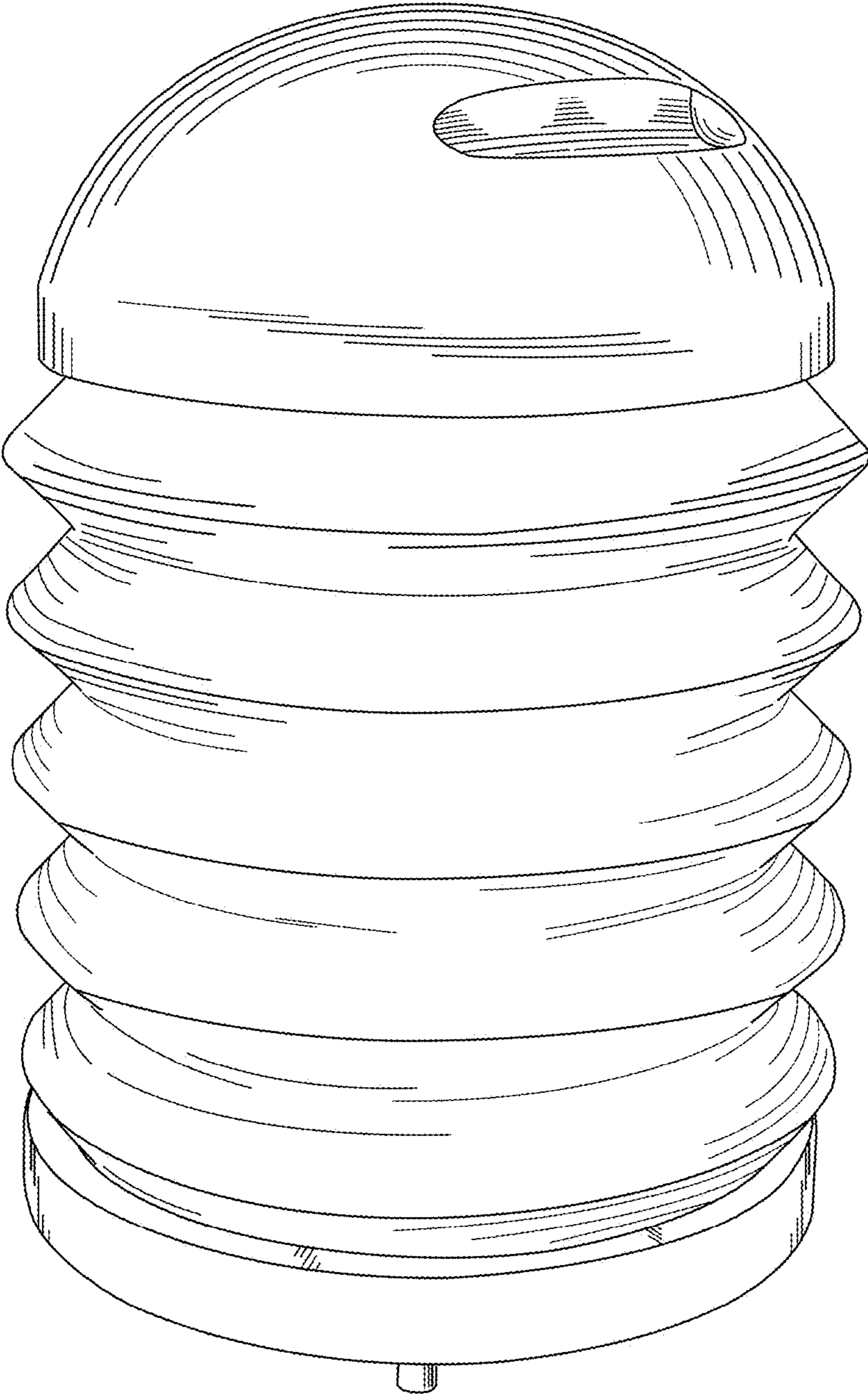


Fig. 1

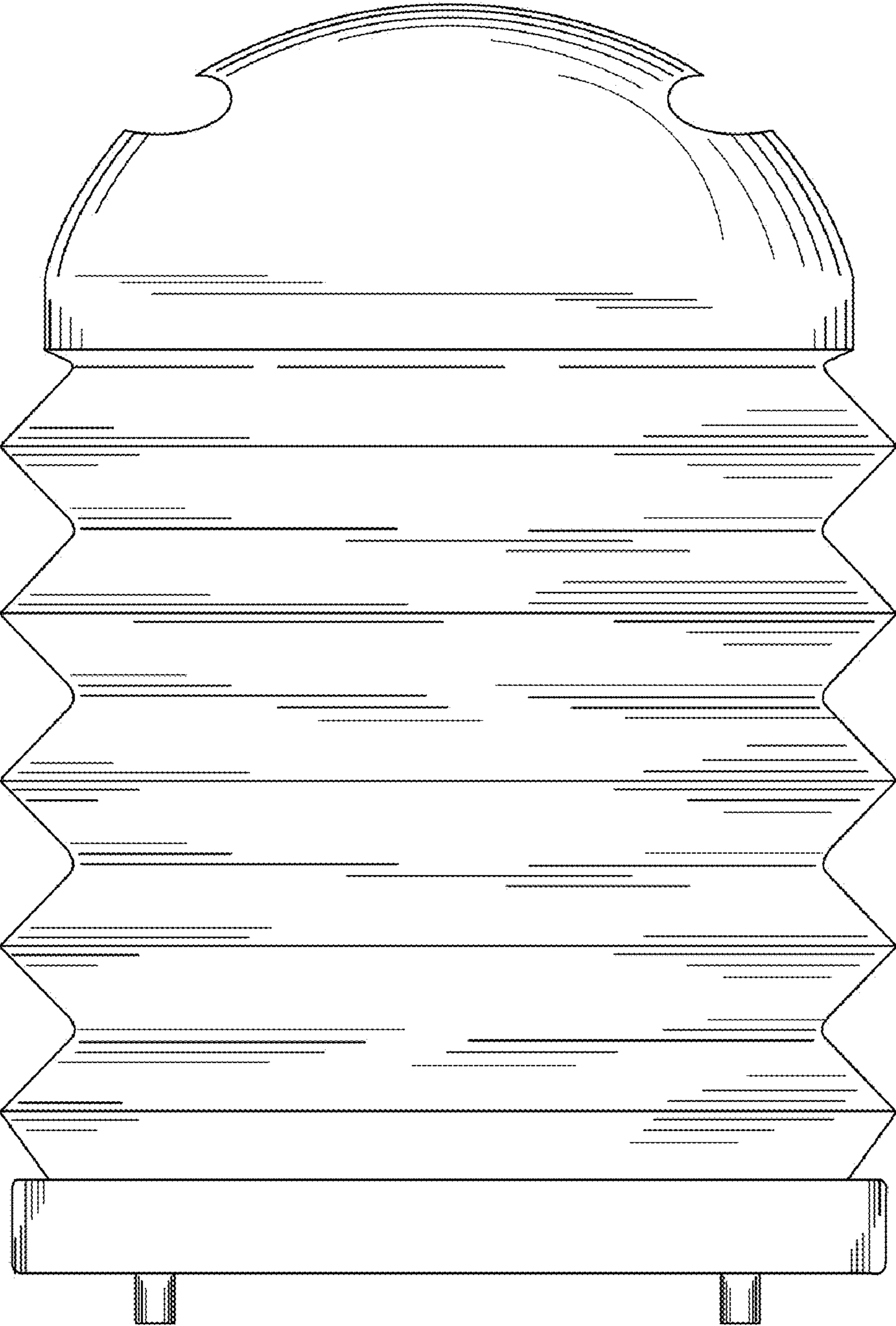


Fig. 2

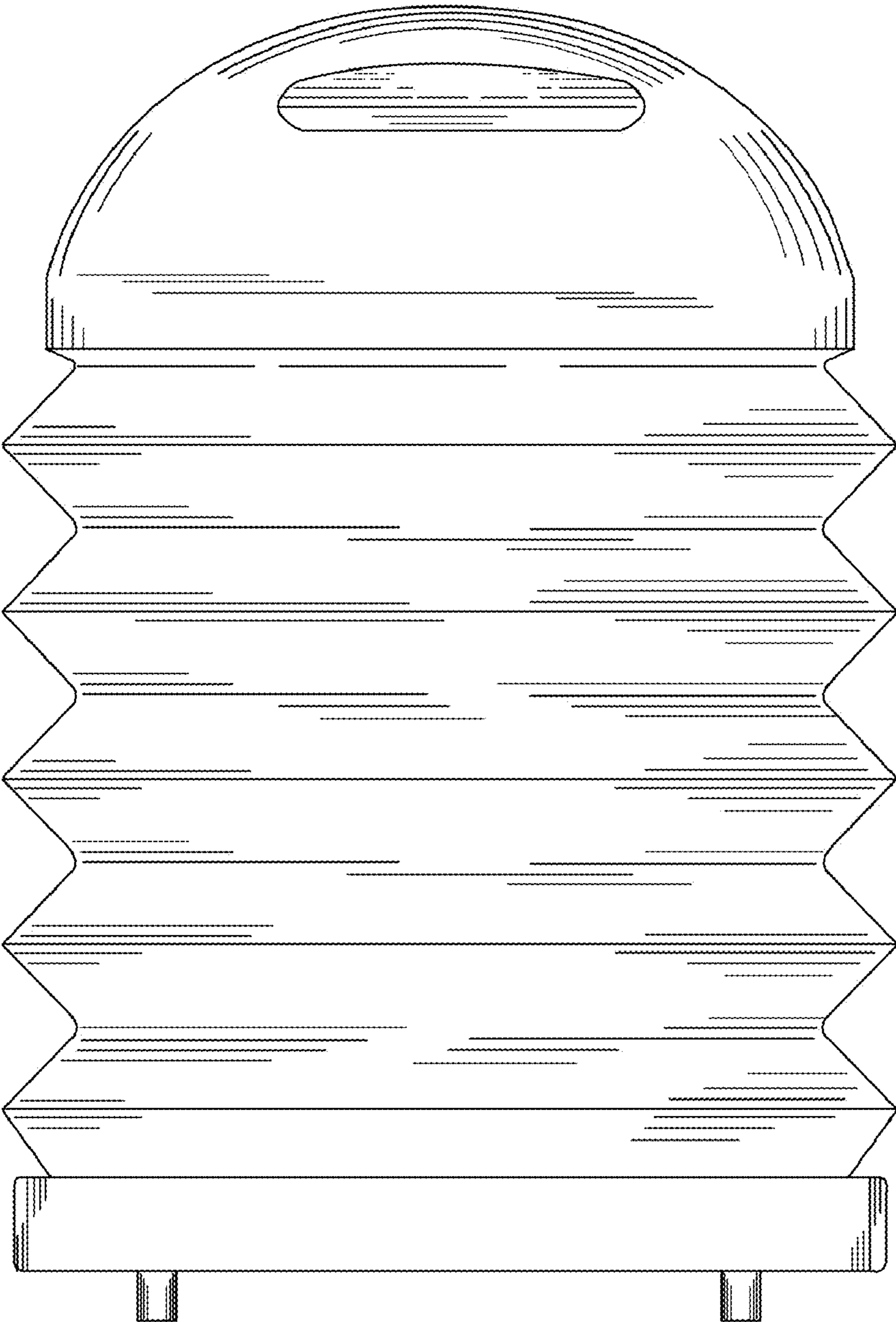


Fig. 3

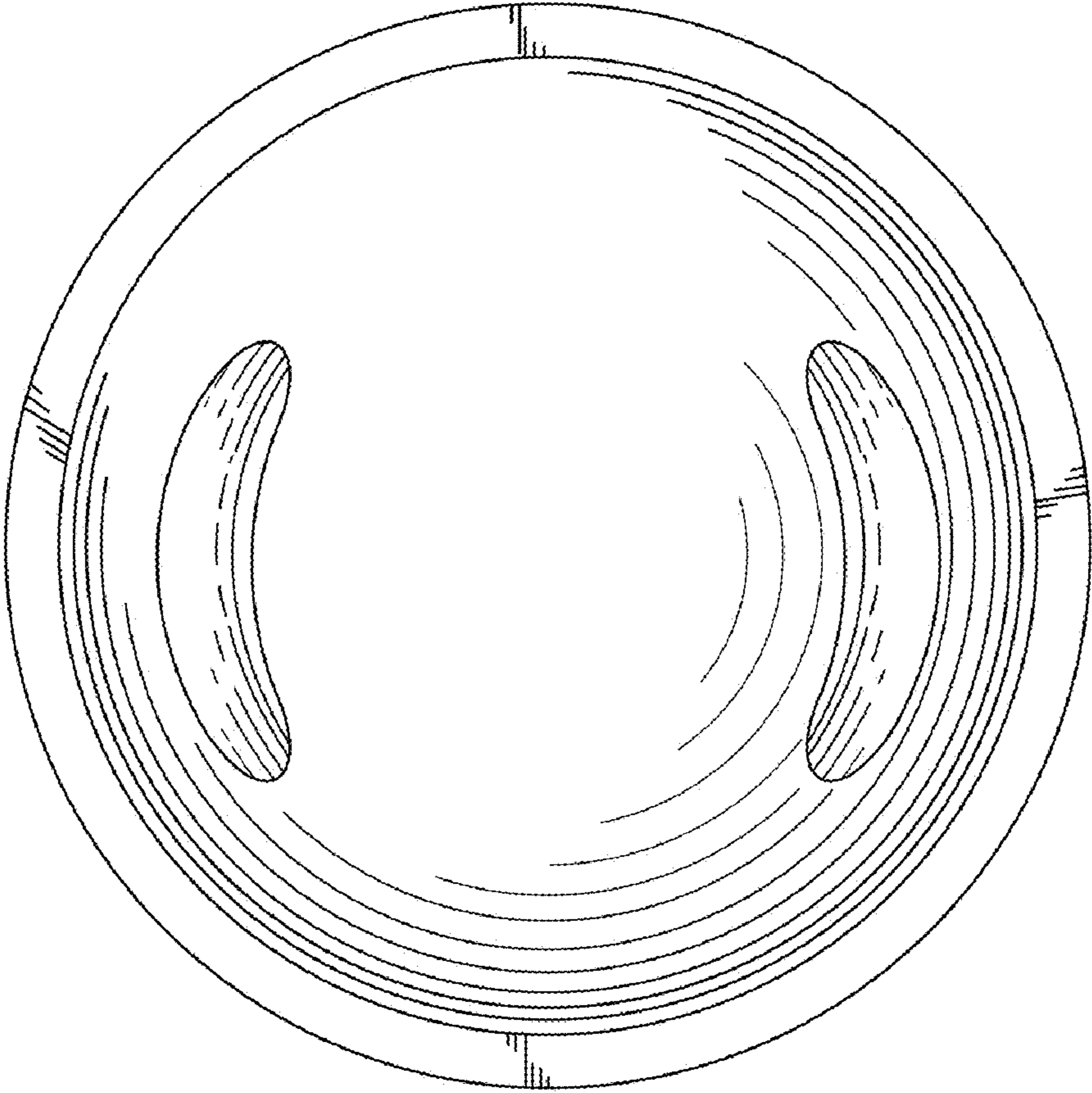


Fig. 4

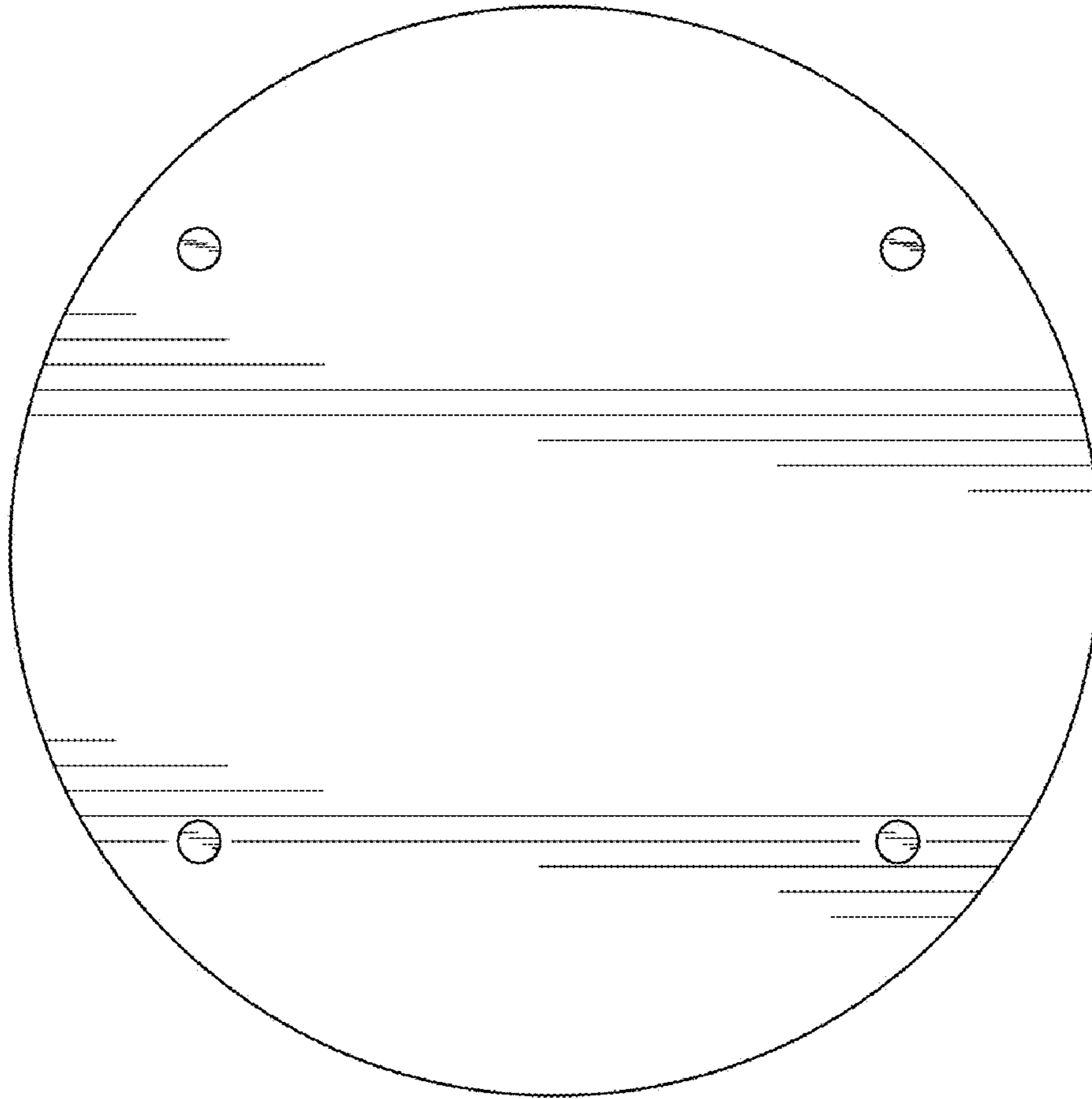


Fig. 5

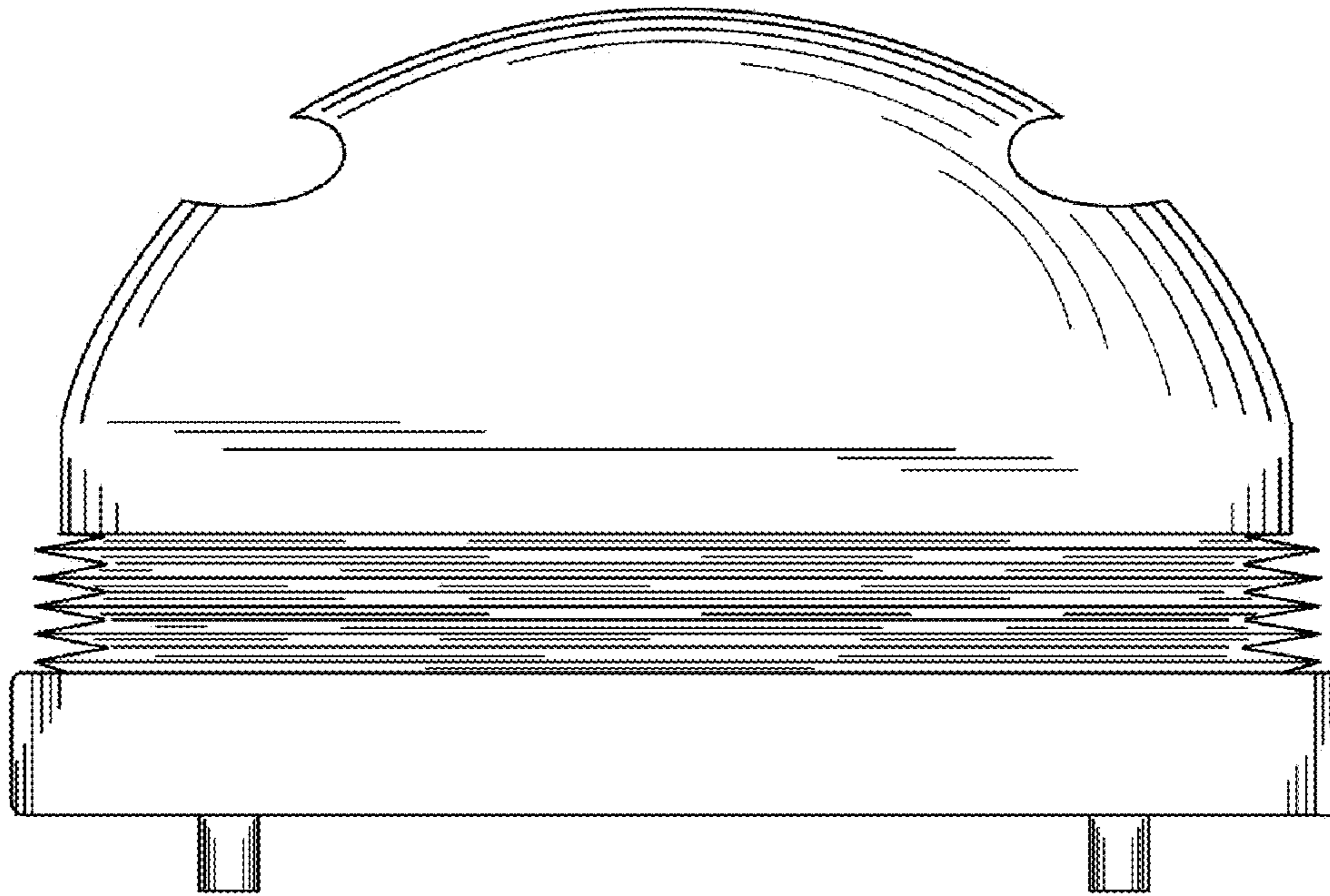


Fig. 6



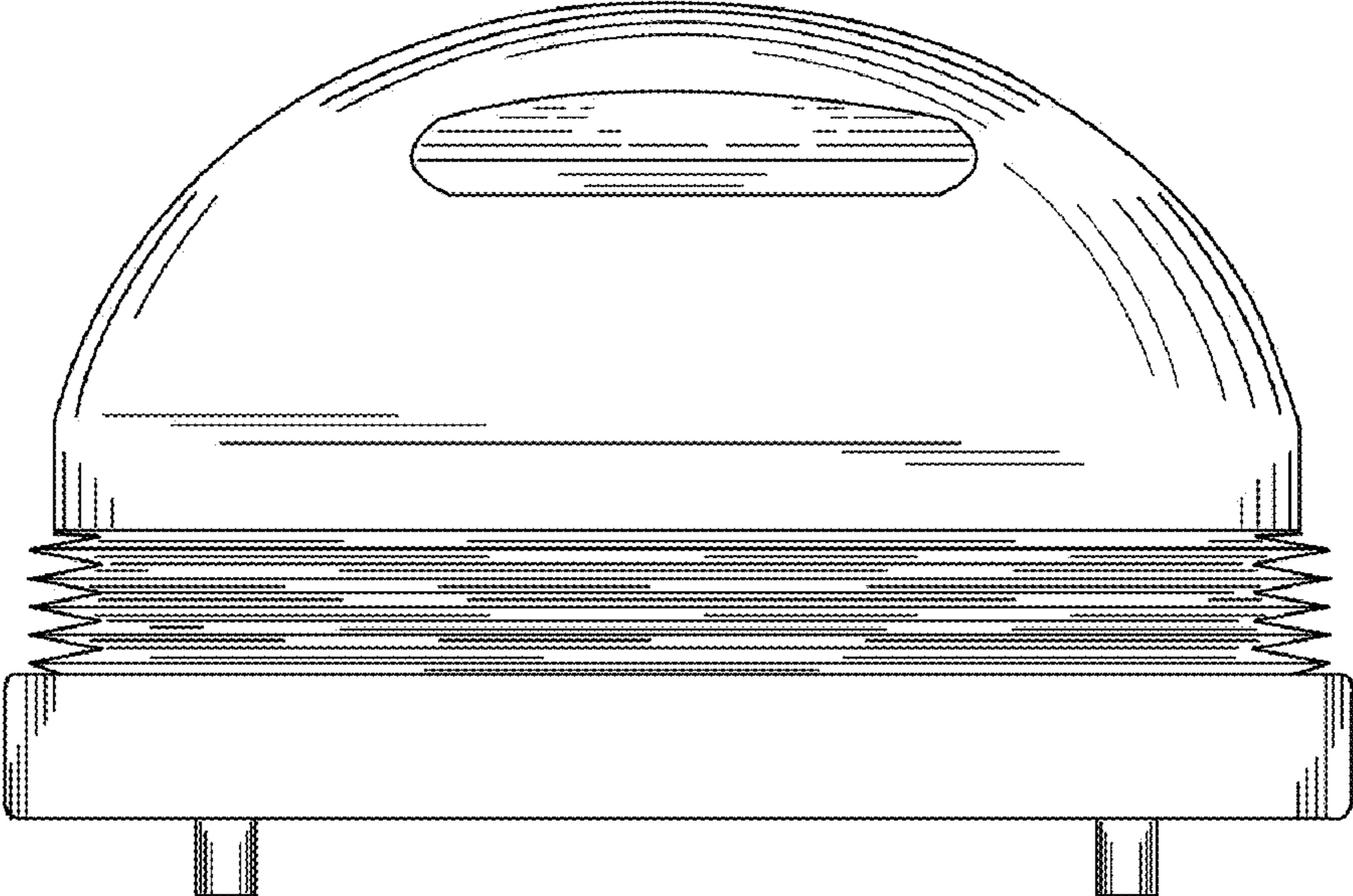


Fig. 7

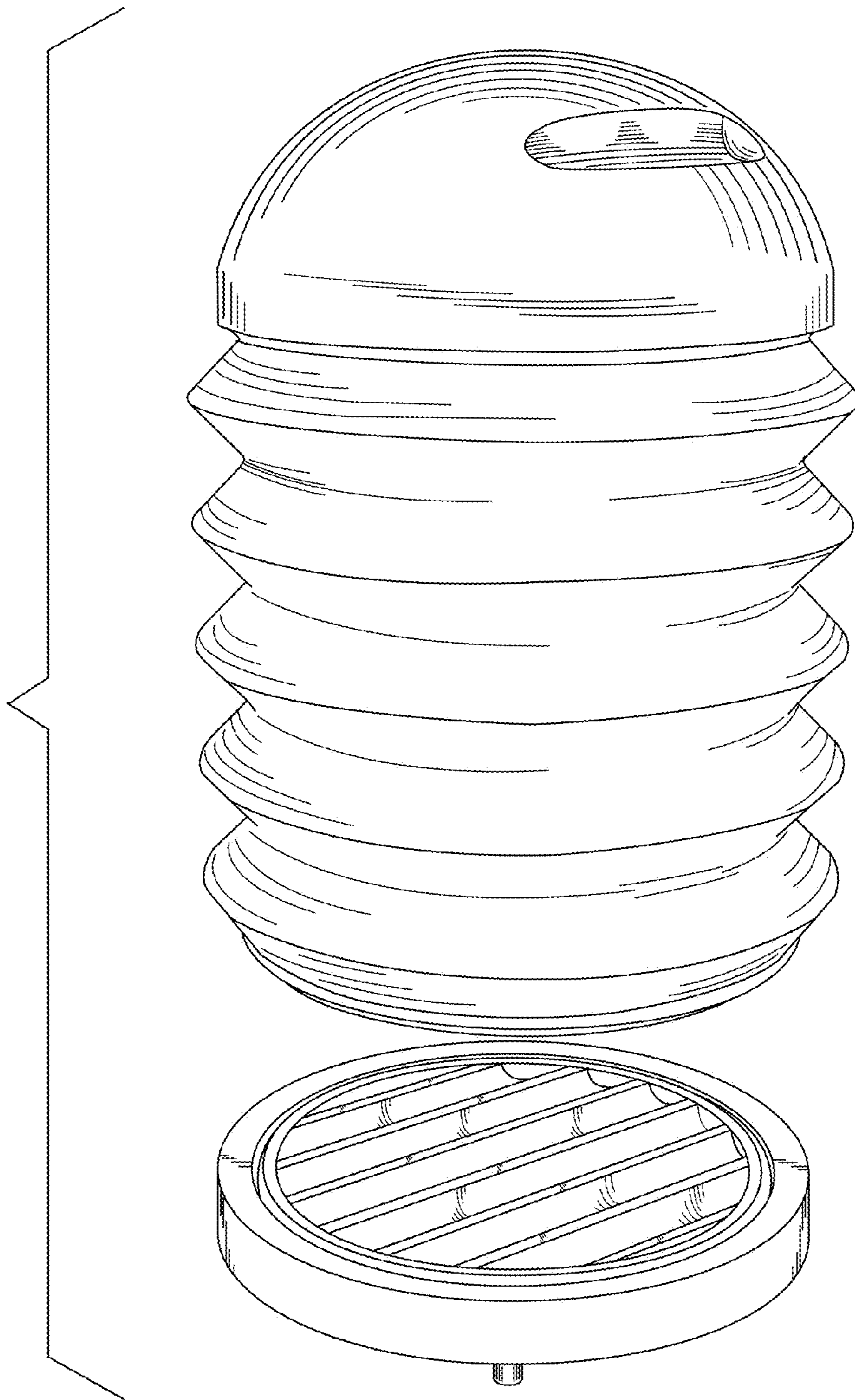


Fig. 8

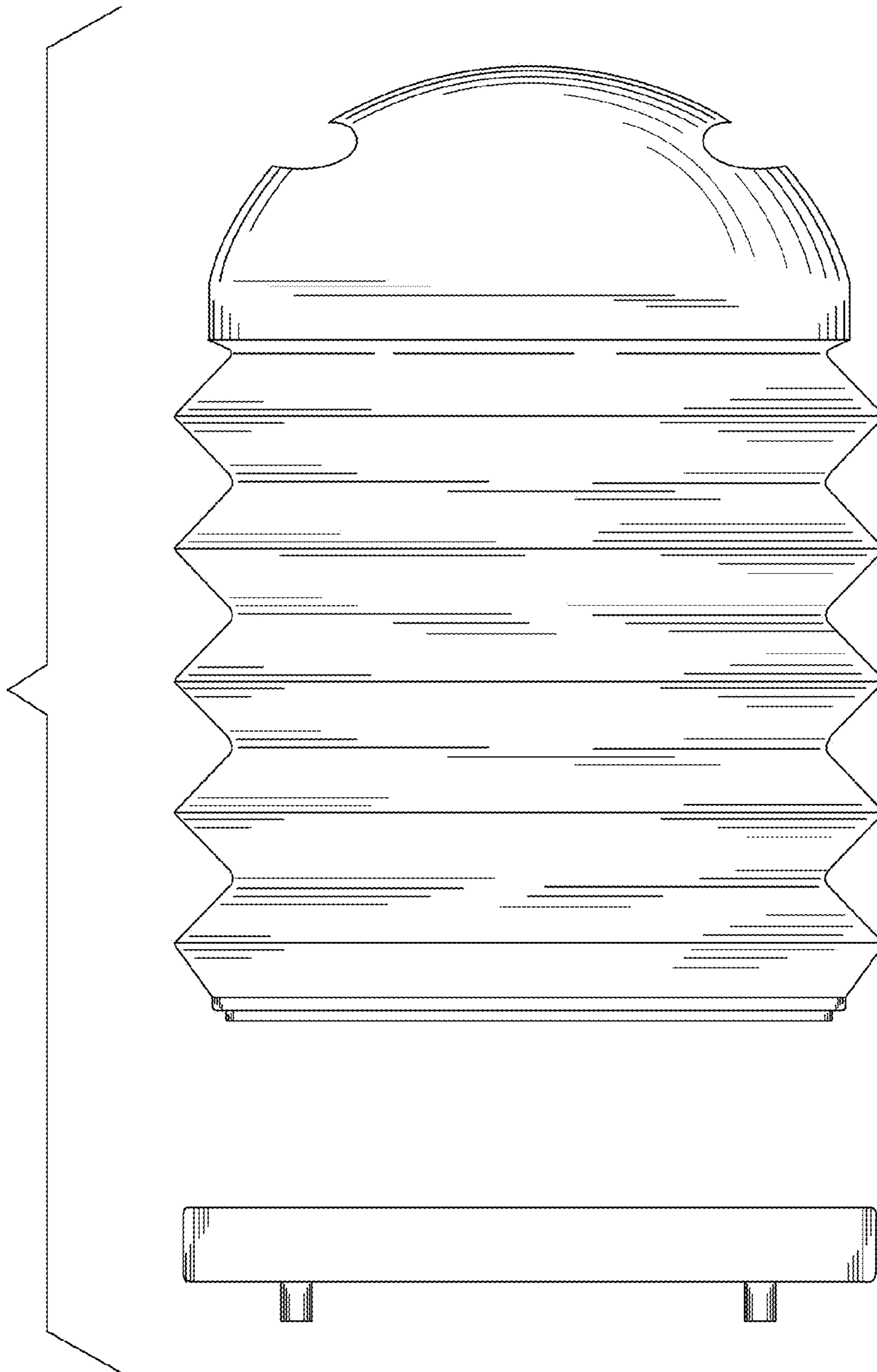


Fig. 9

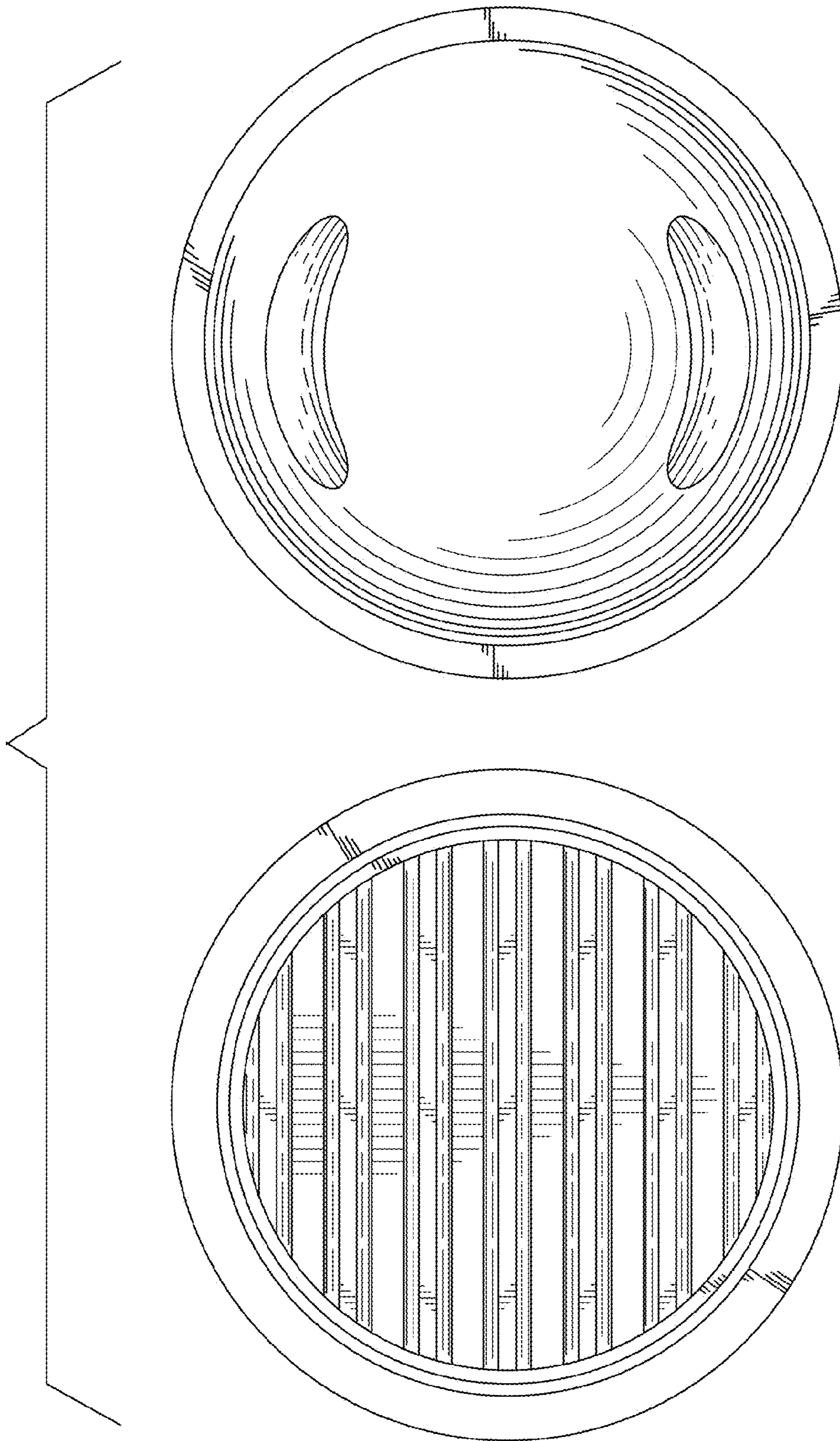


Fig. 10

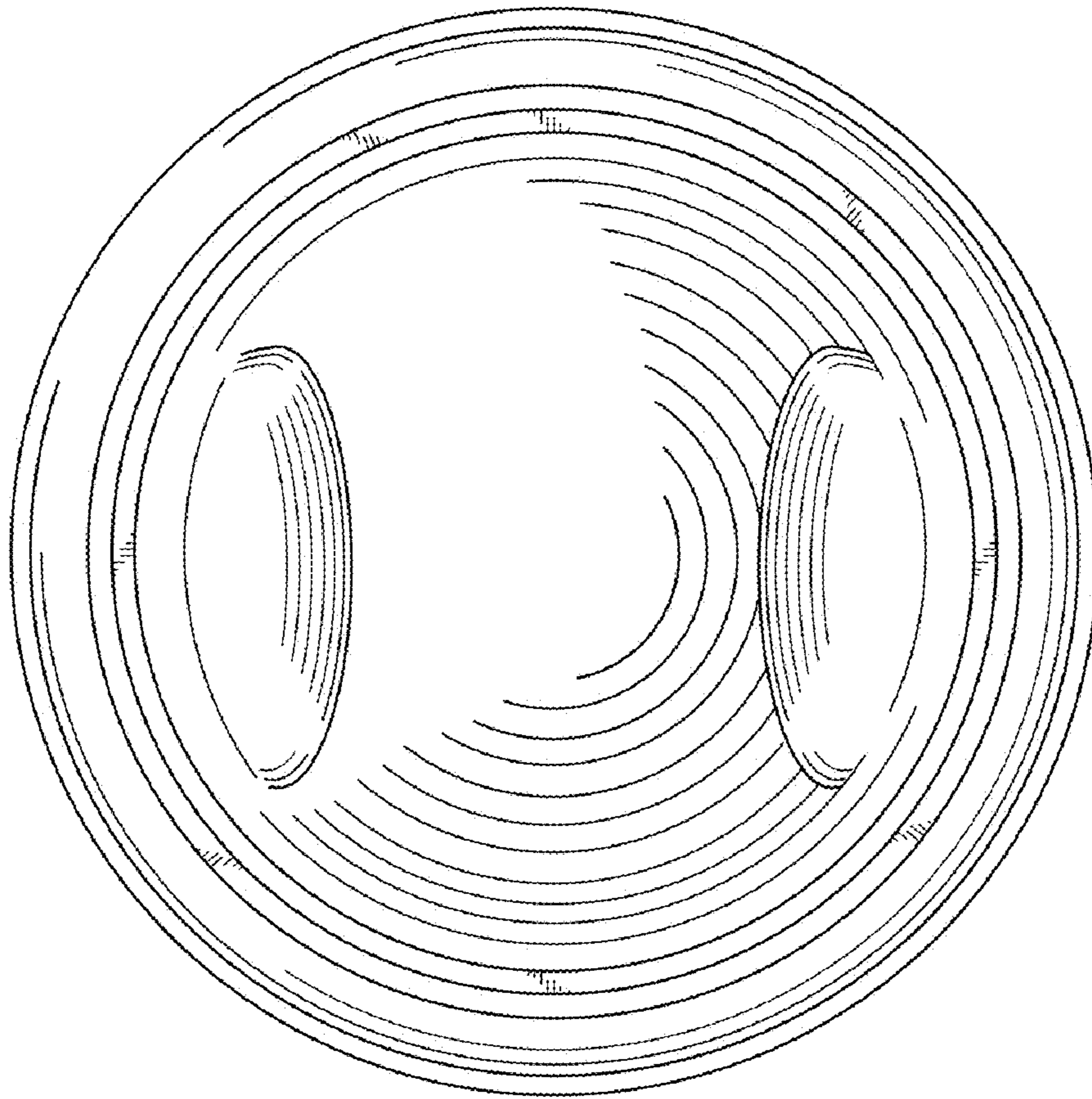


Fig. 11