



US00D646933S

(12) **United States Design Patent**
Goodman et al.

(10) **Patent No.:** **US D646,933 S**
(45) **Date of Patent:** **** Oct. 18, 2011**

- (54) **FRUIT BOWL AND FRUIT TREE**
- (75) Inventors: **Sheldon H. Goodman**, Solon, OH (US);
Omer I. Sazir, Cleveland, OH (US);
Elizabeth A. Cho, Strongsville, OH (US)
- (73) Assignee: **Spectrum Diversified Designs, Inc.**,
Streetsboro, OH (US)
- (**) Term: **14 Years**
- (21) Appl. No.: **29/367,895**
- (22) Filed: **Aug. 14, 2010**
- (51) **LOC (9) Cl.** **07-06**
- (52) **U.S. Cl.** **D7/601**
- (58) **Field of Classification Search** D7/601,
D7/602, 629, 704, 409, 584-587, 500; D6/525,
D6/566, 567, 511, 572, 574, 537, 540; D19/76;
D3/304, 306; 211/181.1, 13.1, 41.3, 41.4,
211/86.01, 88.01; 220/574-575
See application file for complete search history.

D446,688 S *	8/2001	Vanello	D7/601
D462,422 S *	9/2002	Conner	D3/306
D479,098 S *	9/2003	Ancona	D7/601
D519,325 S *	4/2006	Goodman et al.	D7/601
D567,030 S *	4/2008	Goodman et al.	D7/601
D569,691 S *	5/2008	Goodman et al.	D7/601
D578,762 S *	10/2008	Smith et al.	D6/566
D589,304 S *	3/2009	Goodman et al.	D7/601

* cited by examiner

Primary Examiner — Terry Wallace

(74) *Attorney, Agent, or Firm* — Pearne & Gordon LLP

(57) **CLAIM**

The ornamental design for a fruit bowl and fruit tree, as shown and described.

DESCRIPTION

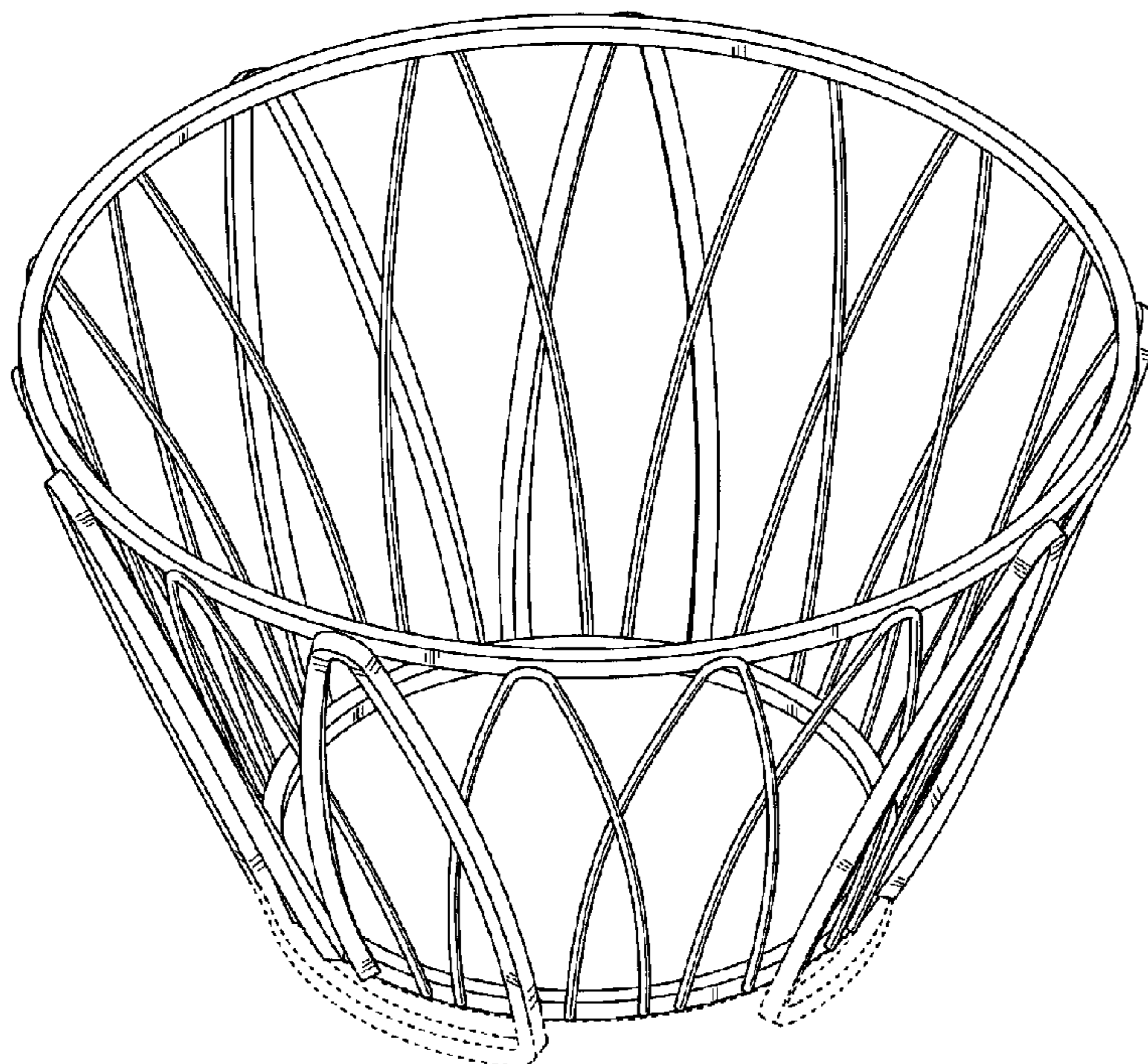
FIG. 1 is a perspective view of a fruit bowl showing our new design;
 FIG. 2 is a top plan view thereof;
 FIG. 3 is a fragmentary view, on an enlarged scale, of an alternative mesh material used to form the bottom wall denoted by the number 3 in FIG. 2;
 FIG. 4 is a front elevational view thereof;
 FIG. 5 is a side elevational view thereof; and,
 FIG. 6 is a bottom plan view thereof.
 The dotted-line showing in the drawings illustrates environmental matter and forms no part of the claimed design.

(56) **References Cited**

U.S. PATENT DOCUMENTS

D274,880 S *	7/1984	Bentson	D7/409
D339,266 S *	9/1993	Lockett	D7/409
D371,228 S *	6/1996	Monin	D7/601

1 Claim, 2 Drawing Sheets



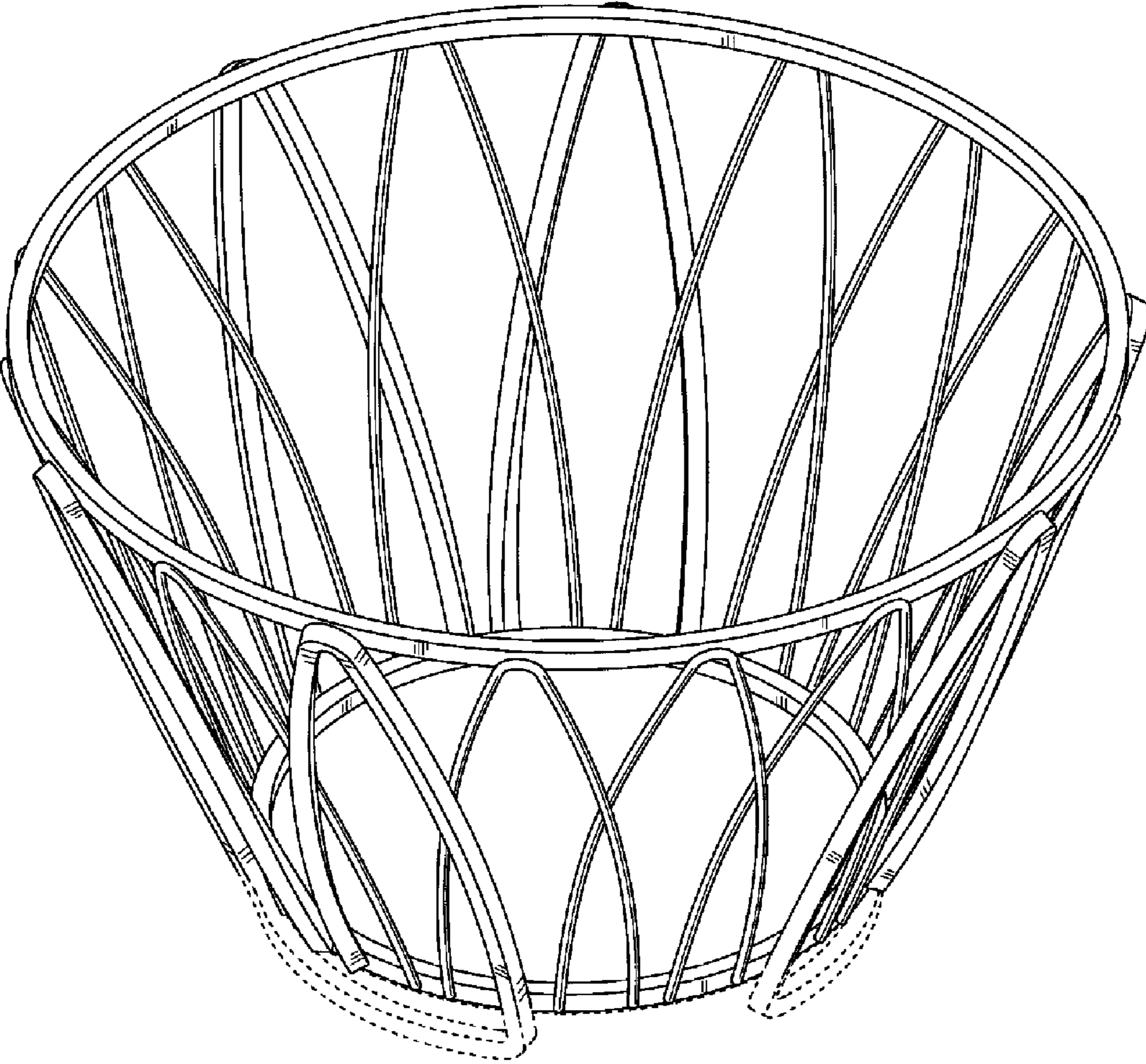


FIG. 1

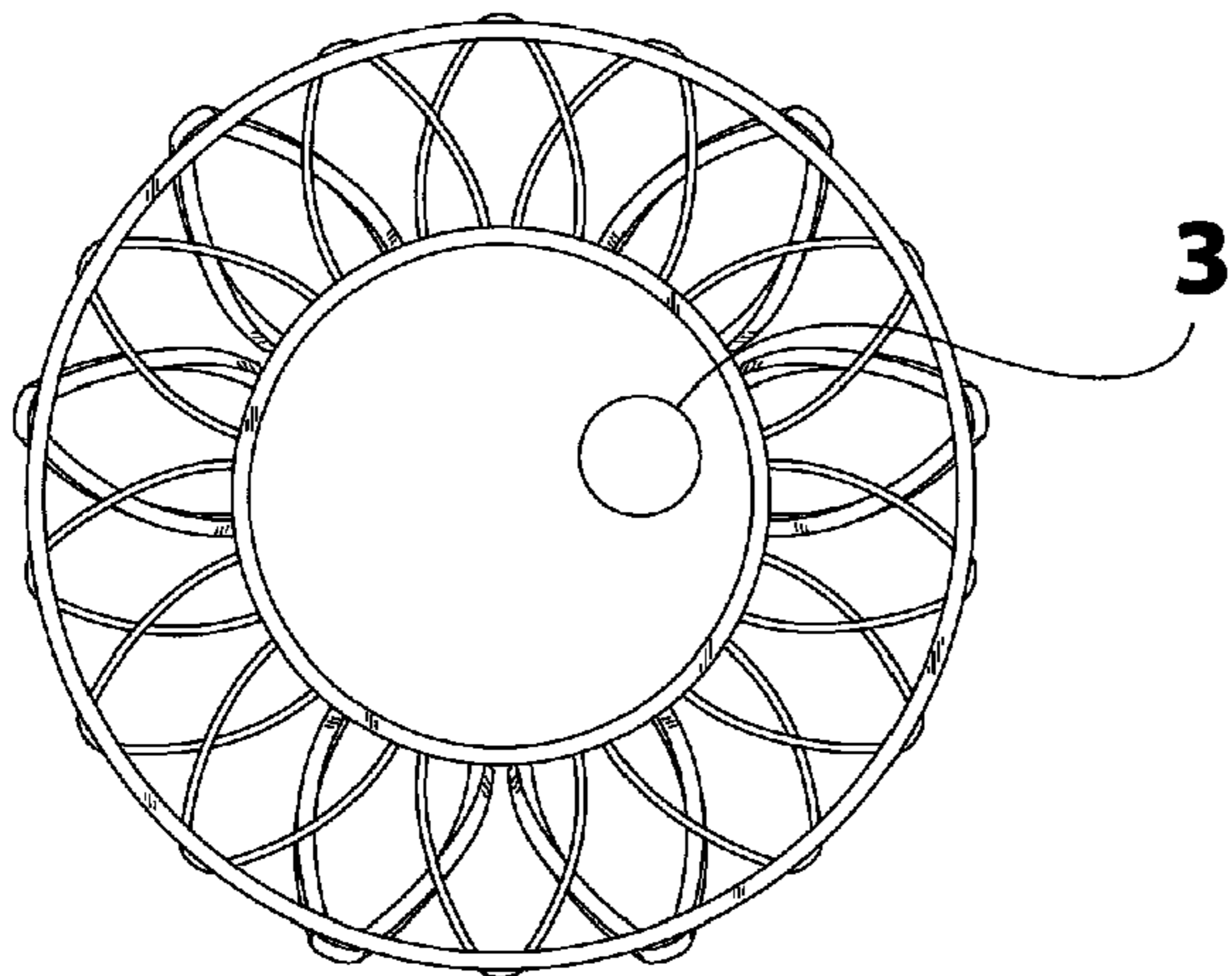


FIG. 2

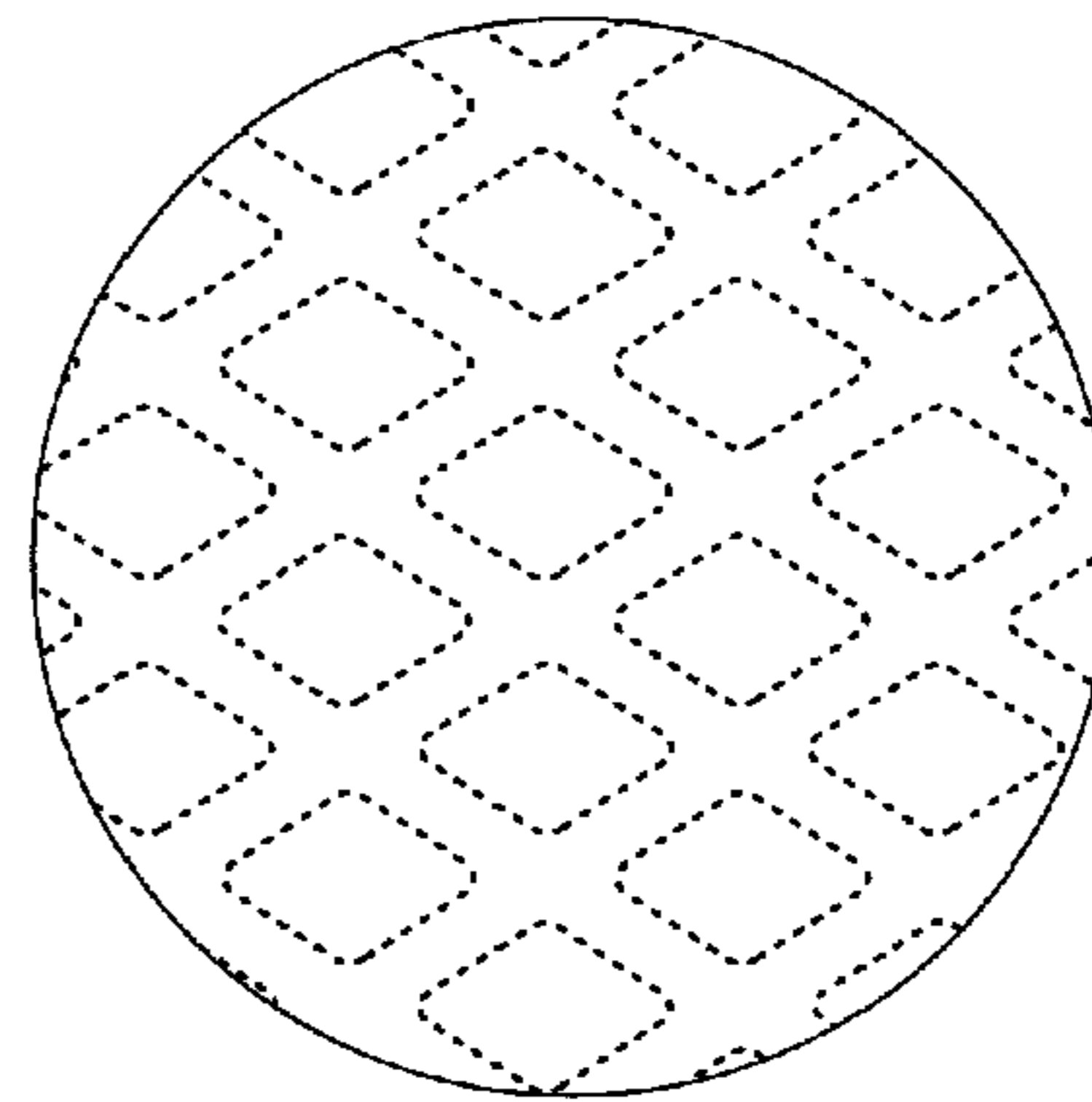


FIG. 3

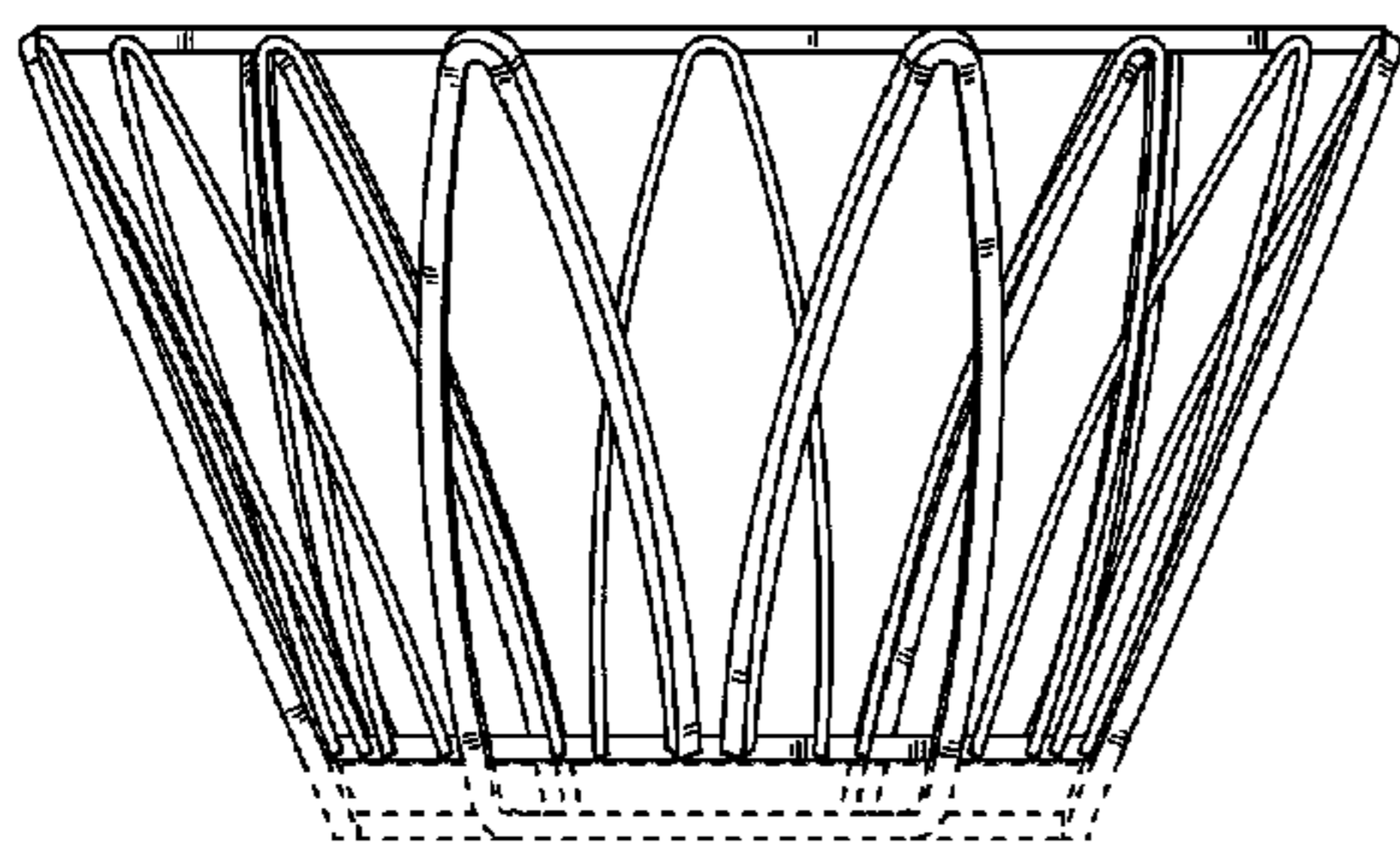


FIG. 4

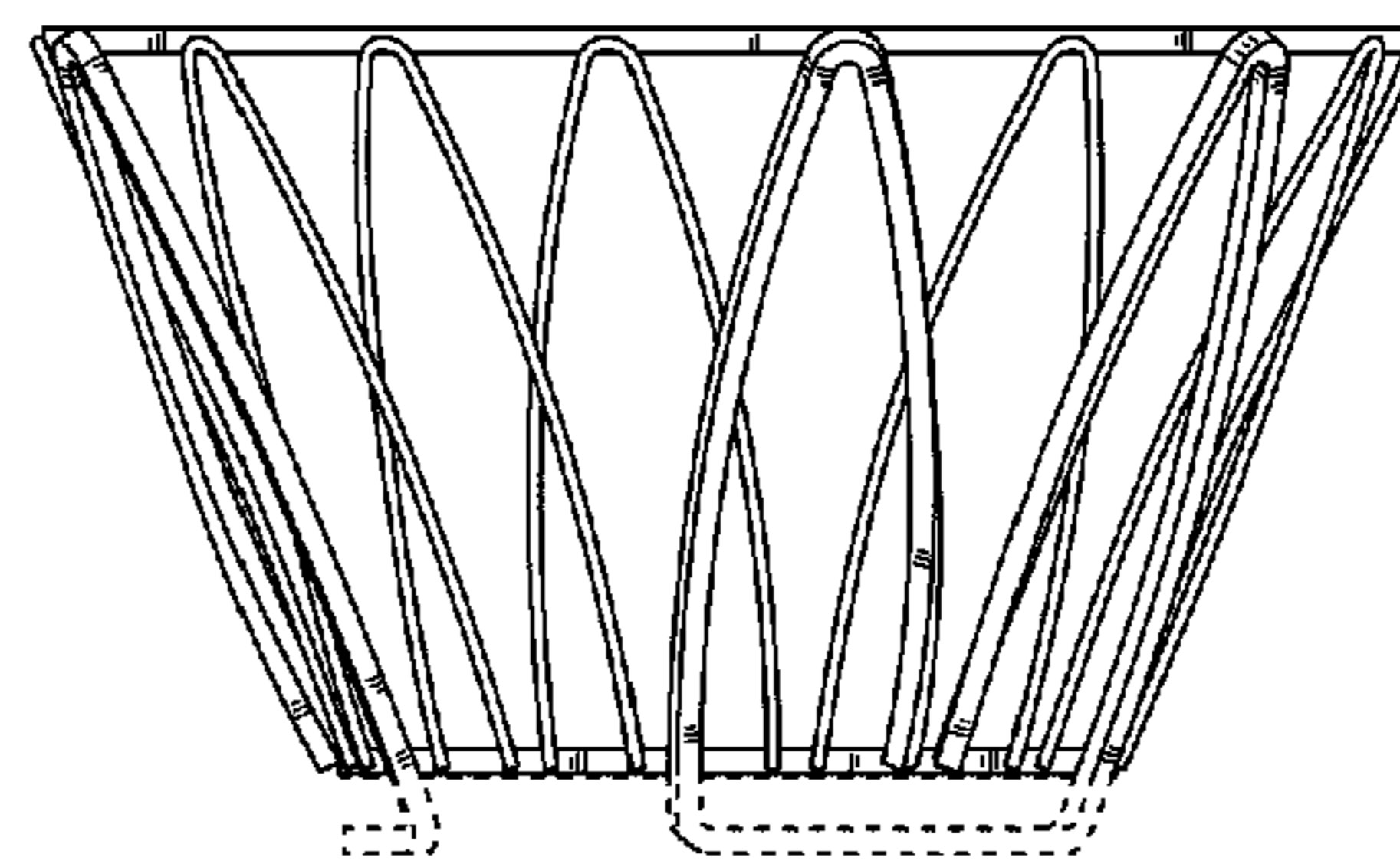


FIG. 5

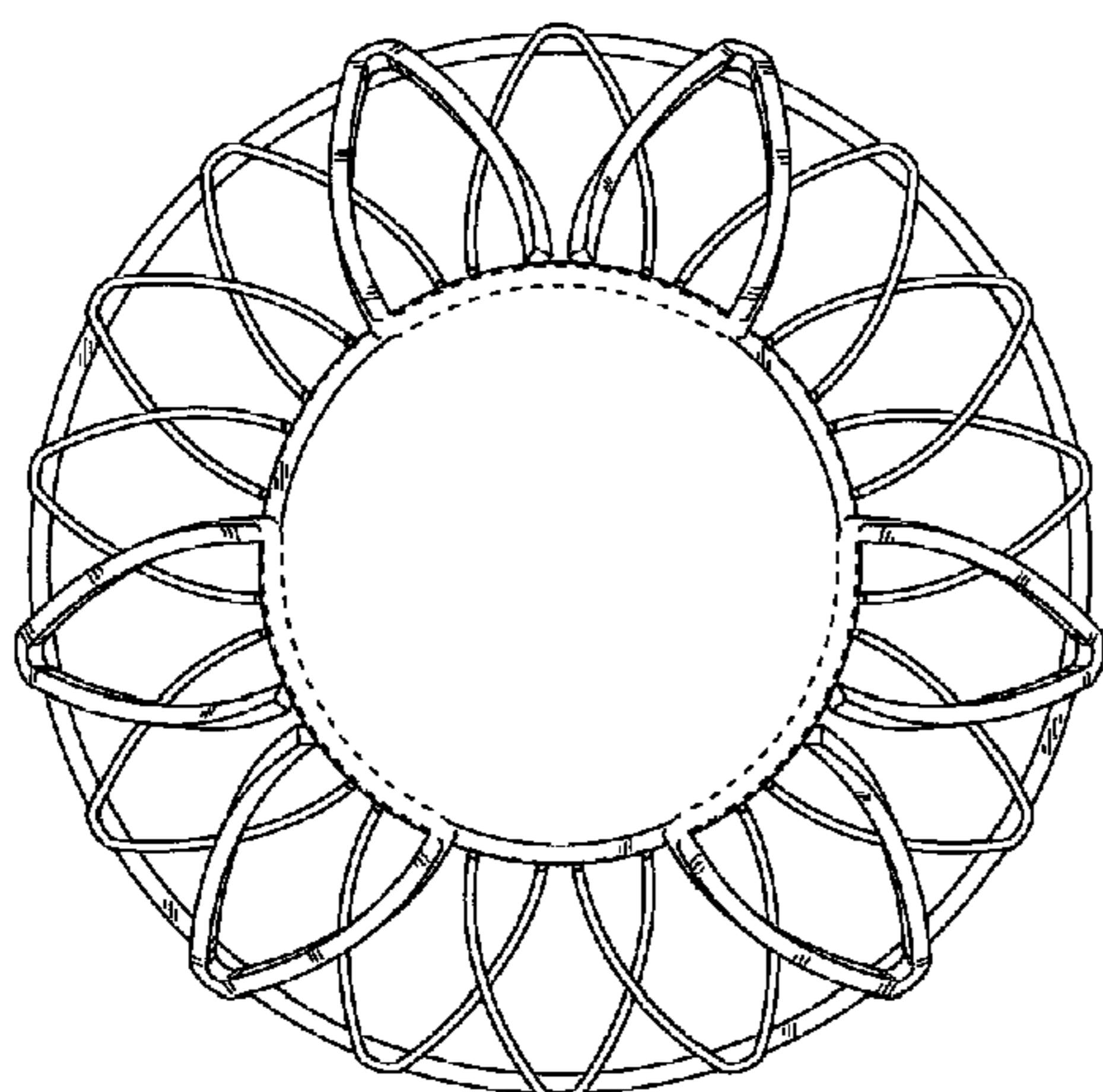


FIG. 6