



US00D646931S

(12) **United States Design Patent**
Chen et al.

(10) **Patent No.:** **US D646,931 S**

(45) **Date of Patent:** **** *Oct. 18, 2011**

(54) **SAUCE TRAY FOR A MICROWAVE STEAMER**

(75) Inventors: **Rui Yuan Chen**, Orlando, FL (US);
Jan-Hendrik de Groote, Brussels (BE)

(73) Assignee: **Dart Industries Inc.**, Orlando, FL (US)

(**) Term: **14 Years**

(21) Appl. No.: **29/372,036**

(22) Filed: **Oct. 6, 2010**

(51) **LOC (9) Cl.** **07-01**

(52) **U.S. Cl.** **D7/554.2**

(58) **Field of Classification Search** D7/323,
D7/354-360, 396.1, 397, 507, 550.1, 551.1,
D7/552.1, 553.1, 543, 554.1-554.4, 584-585,
D7/602; D9/761; 426/107; 220/573.1-573.4,
220/574, 574.2, 912

See application file for complete search history.

(56) **References Cited**

U.S. PATENT DOCUMENTS

D291,522 S	8/1987	Daenen et al.	
D335,795 S	5/1993	Conti	
D424,881 S *	5/2000	Sundberg	D7/545
D492,159 S *	6/2004	Carlson	D7/584
D523,287 S *	6/2006	Hayes et al.	D7/545
D547,616 S *	7/2007	Hayes et al.	D7/585
D551,491 S *	9/2007	Schuler	D7/354
D551,911 S *	10/2007	Hayes et al.	D7/585
D552,424 S *	10/2007	Hayes et al.	D7/585

D552,425 S *	10/2007	Hayes et al.	D7/585
D559,041 S *	1/2008	Gartz et al.	D7/538
D571,156 S *	6/2008	Gartz et al.	D7/545
D572,979 S *	7/2008	Delbaere	D7/545
D582,101 S *	12/2008	Shamoon	D30/129
D590,663 S *	4/2009	Simon et al.	D7/545
D610,665 S *	2/2010	Weng	D23/348
D611,300 S	3/2010	Chen et al.	
7,722,907 B2 *	5/2010	Roberts et al.	426/107
D618,860 S *	6/2010	Friedland et al.	D30/129
D621,664 S *	8/2010	Heiberg et al.	D7/587
D625,201 S *	10/2010	Wichmann	D9/761

* cited by examiner

Primary Examiner — Elizabeth Albert

Assistant Examiner — Kelley A Donnelly

(74) *Attorney, Agent, or Firm* — John A. Doninger

(57) **CLAIM**

The ornamental design for a sauce tray for a microwave steamer, as shown and described.

DESCRIPTION

FIG. 1 is a top, front and right side perspective view of a sauce tray for a microwave steamer showing my new design;

FIG. 2 is a bottom, left side and front perspective view thereof;

FIG. 3 is a front elevation view thereof;

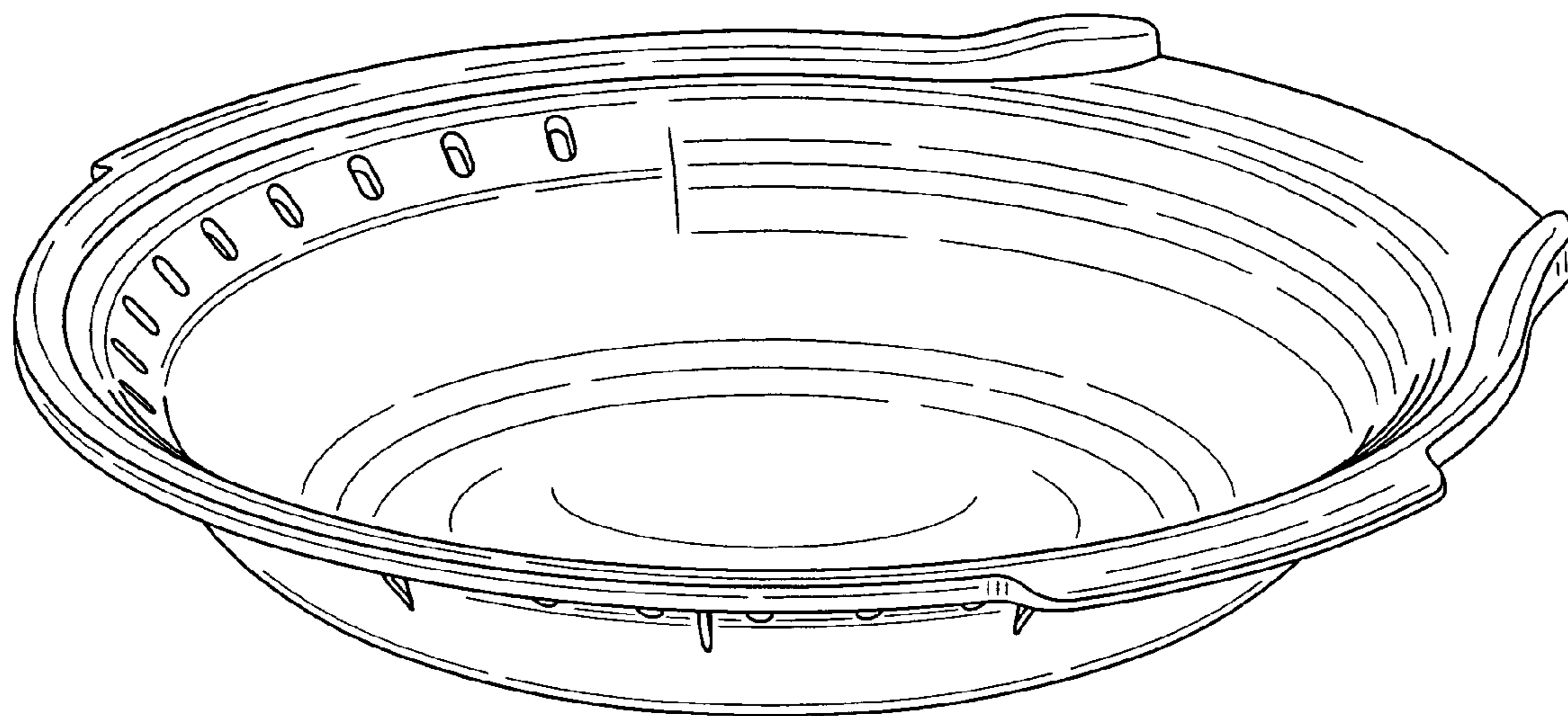
FIG. 4 is a rear elevation view thereof;

FIG. 5 is a right side elevation view, the left side being a mirror image thereof;

FIG. 6 is a top plan view thereof; and,

FIG. 7 is a bottom plan view thereof.

1 Claim, 3 Drawing Sheets



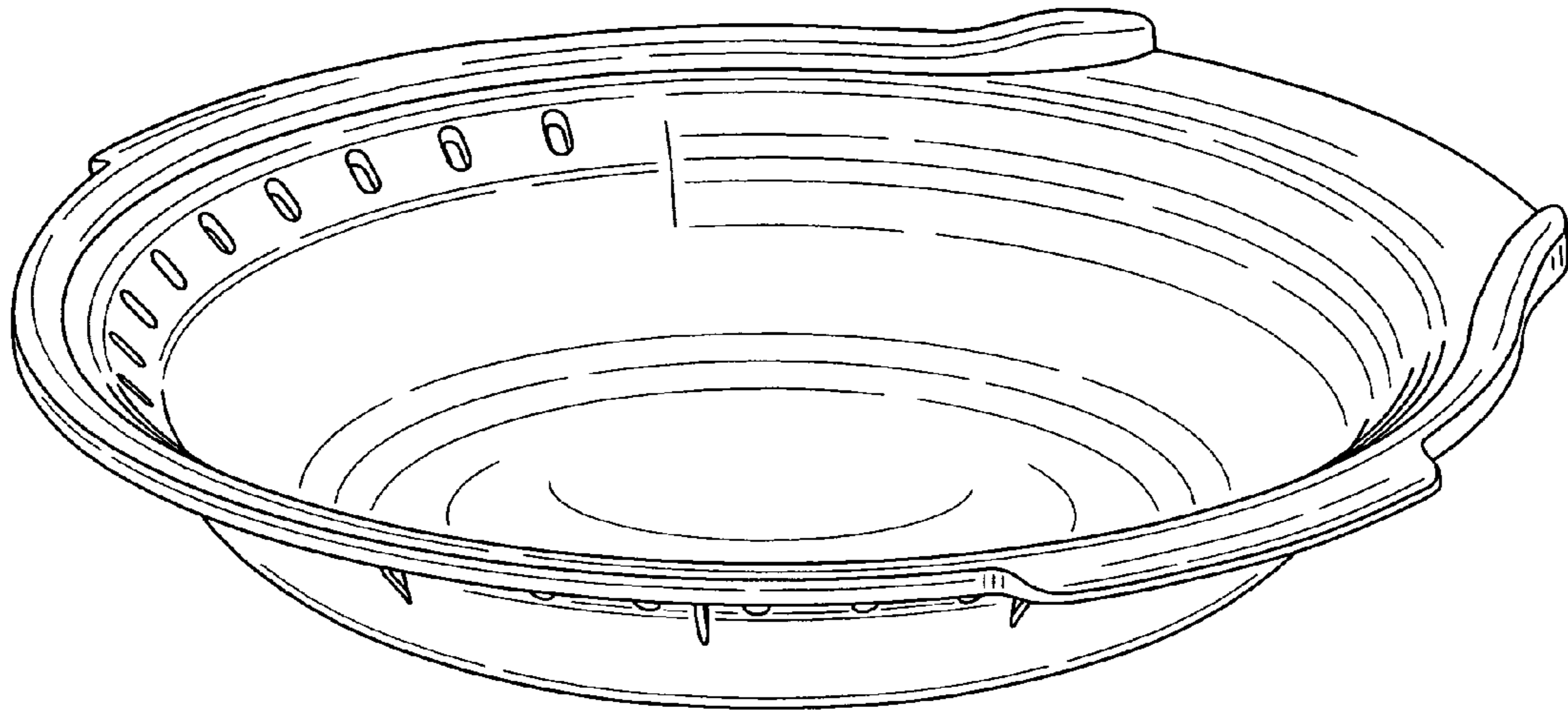


FIG. 1

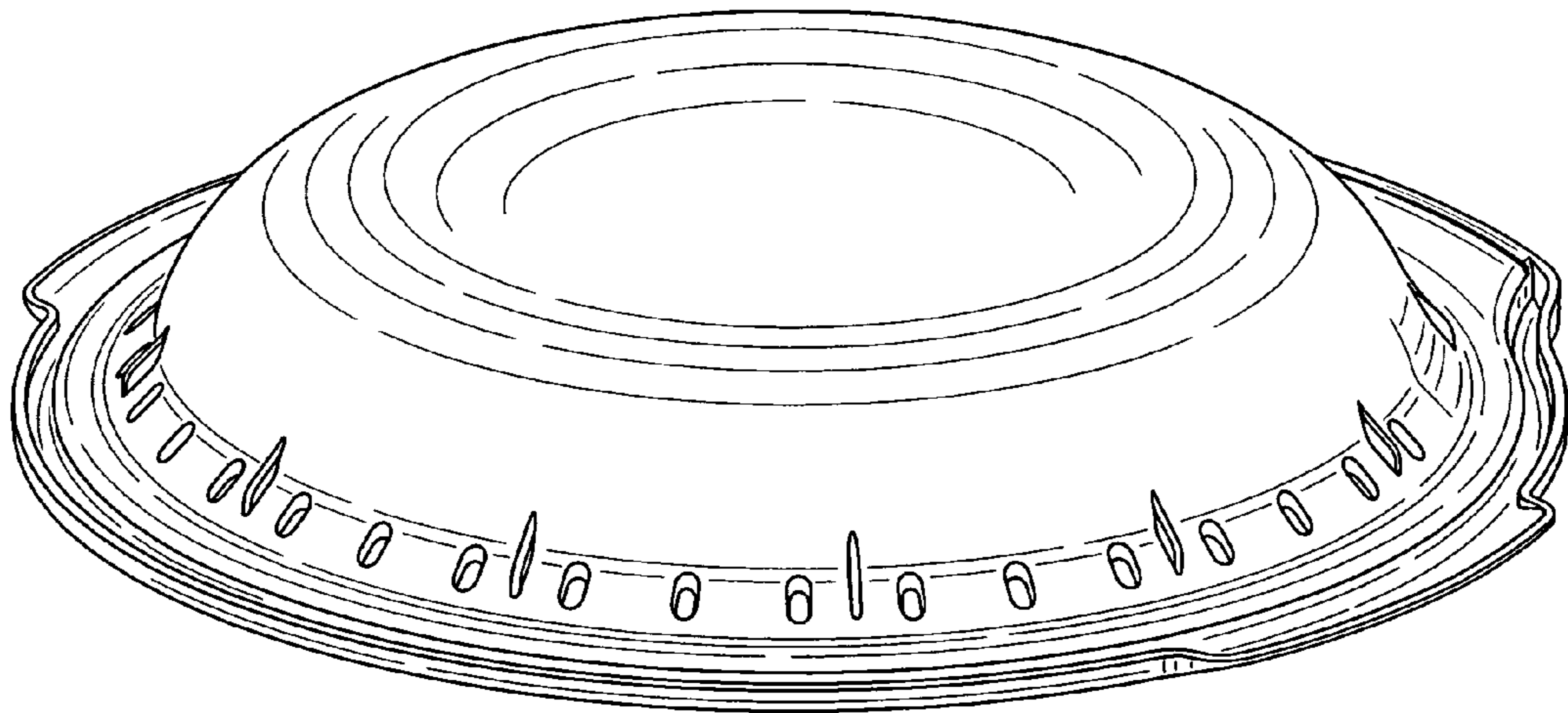


FIG. 2

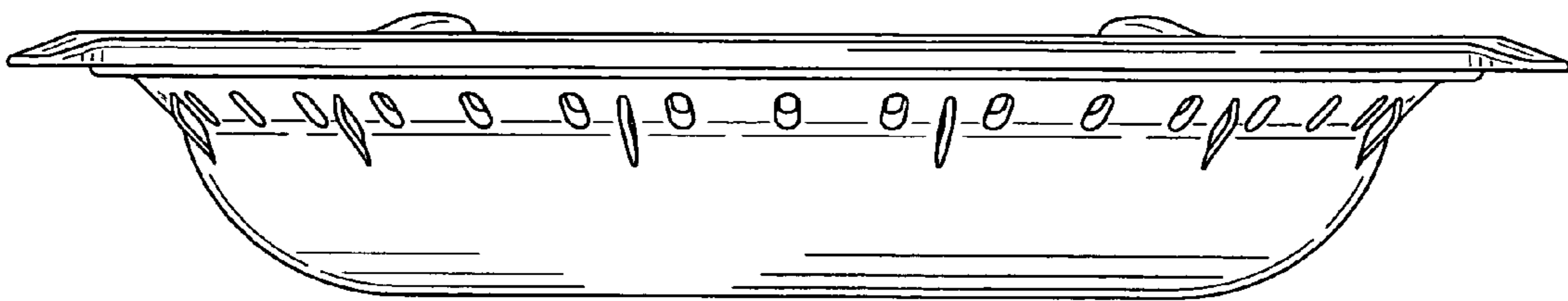


FIG. 3

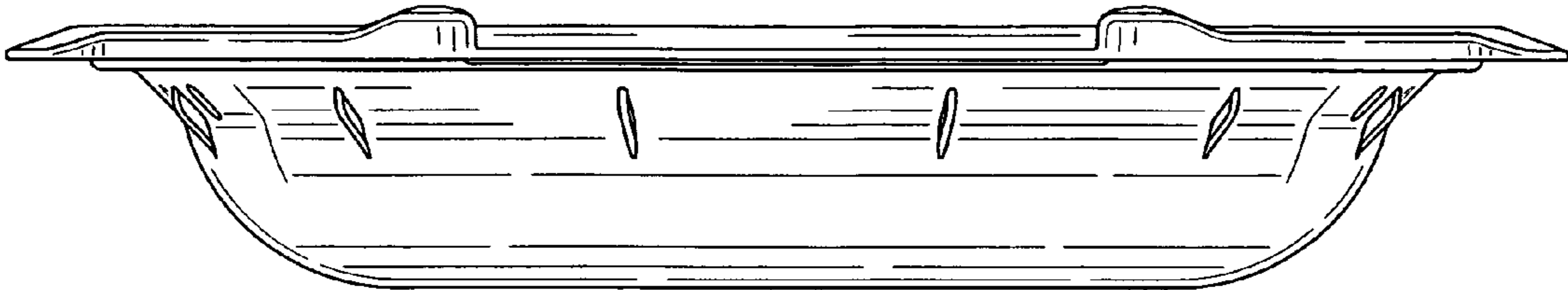


FIG. 4

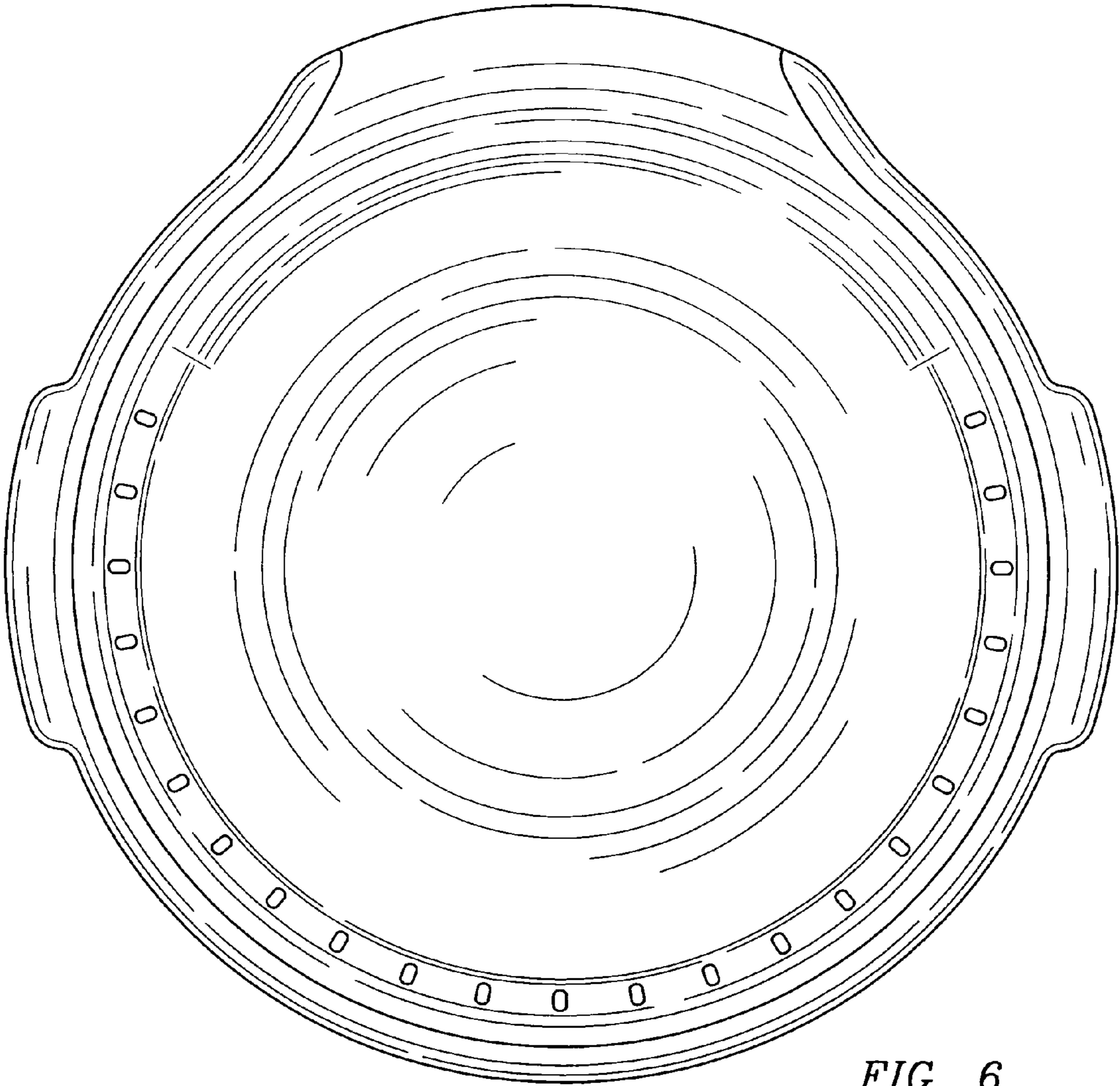


FIG. 6

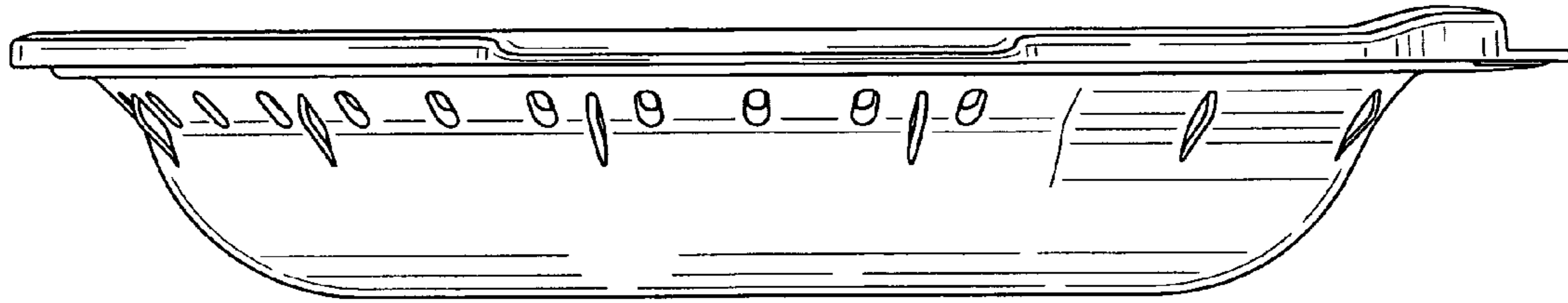


FIG. 5

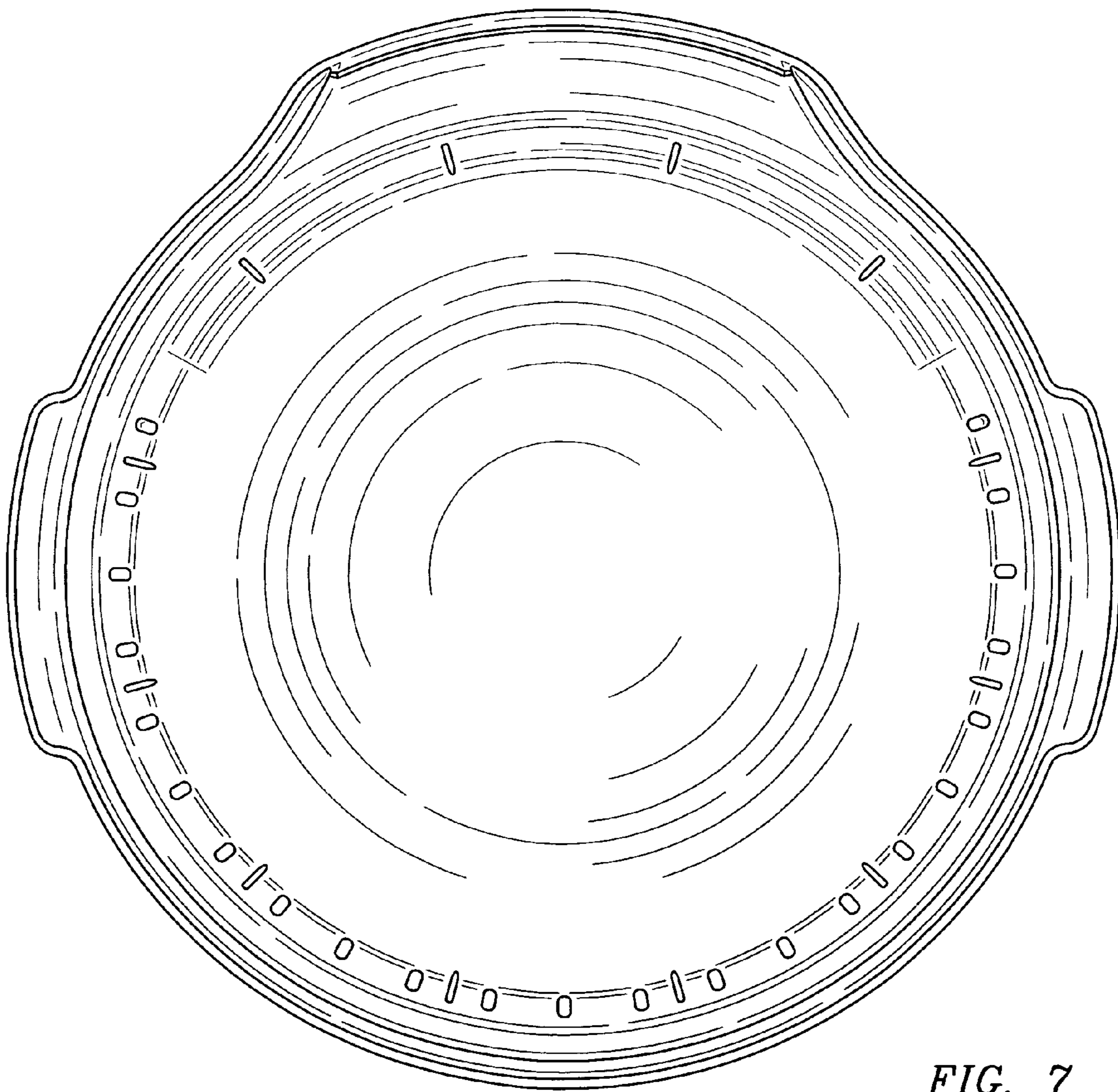


FIG. 7