

US00D646924S

(12) **United States Design Patent**
Coleman et al.

(10) **Patent No.:** **US D646,924 S**
(45) **Date of Patent:** **** Oct. 18, 2011**

- (54) **BEVERAGE DISPENSER**
- (75) Inventors: **Chris M. Coleman**, Sonoma, CA (US);
Rion E. Austin, San Francisco, CA
(US); **Scott A. Farling**, San Francisco,
CA (US)
- (73) Assignee: **Acwineco LLC**, Sonoma, CA (US)
- (**) Term: **14 Years**
- (21) Appl. No.: **29/360,625**
- (22) Filed: **Apr. 28, 2010**
- (51) **LOC (9) Cl.** **07-01**
- (52) **U.S. Cl.** **D7/397; D7/306**
- (58) **Field of Classification Search** D7/397,
D7/306, 307, 308, 309, 310, 313, 300; 222/146.6,
222/183; D20/4, 5
See application file for complete search history.

- 5,339,986 A * 8/1994 Mihalich 222/1
- 5,385,275 A * 1/1995 Billet 222/399
- D360,332 S * 7/1995 Mann D7/306
- 5,437,395 A * 8/1995 Bull et al. 222/129.1
- D389,368 S * 1/1998 Parks et al. D7/308
- D437,726 S * 2/2001 Hardt D7/306
- D604,554 S * 11/2009 Lippert et al. D7/306
- D613,112 S * 4/2010 Lippert et al. D7/397

* cited by examiner

Primary Examiner — Marianne Pandozzi

(74) *Attorney, Agent, or Firm* — Rathe Patent & IP Law

(57) **CLAIM**

We claim the ornamental design for a beverage dispenser, as shown and described.

DESCRIPTION

FIG. 1 is a top perspective view of a beverage dispenser;
FIG. 2 is a front elevational view thereof;
FIG. 3 is a right side view thereof,
FIG. 4 is a rear elevational view thereof,
FIG. 5 is a left side view thereof;
FIG. 6 is a top plan view thereof; and,
FIG. 7 is a bottom plan view thereof.

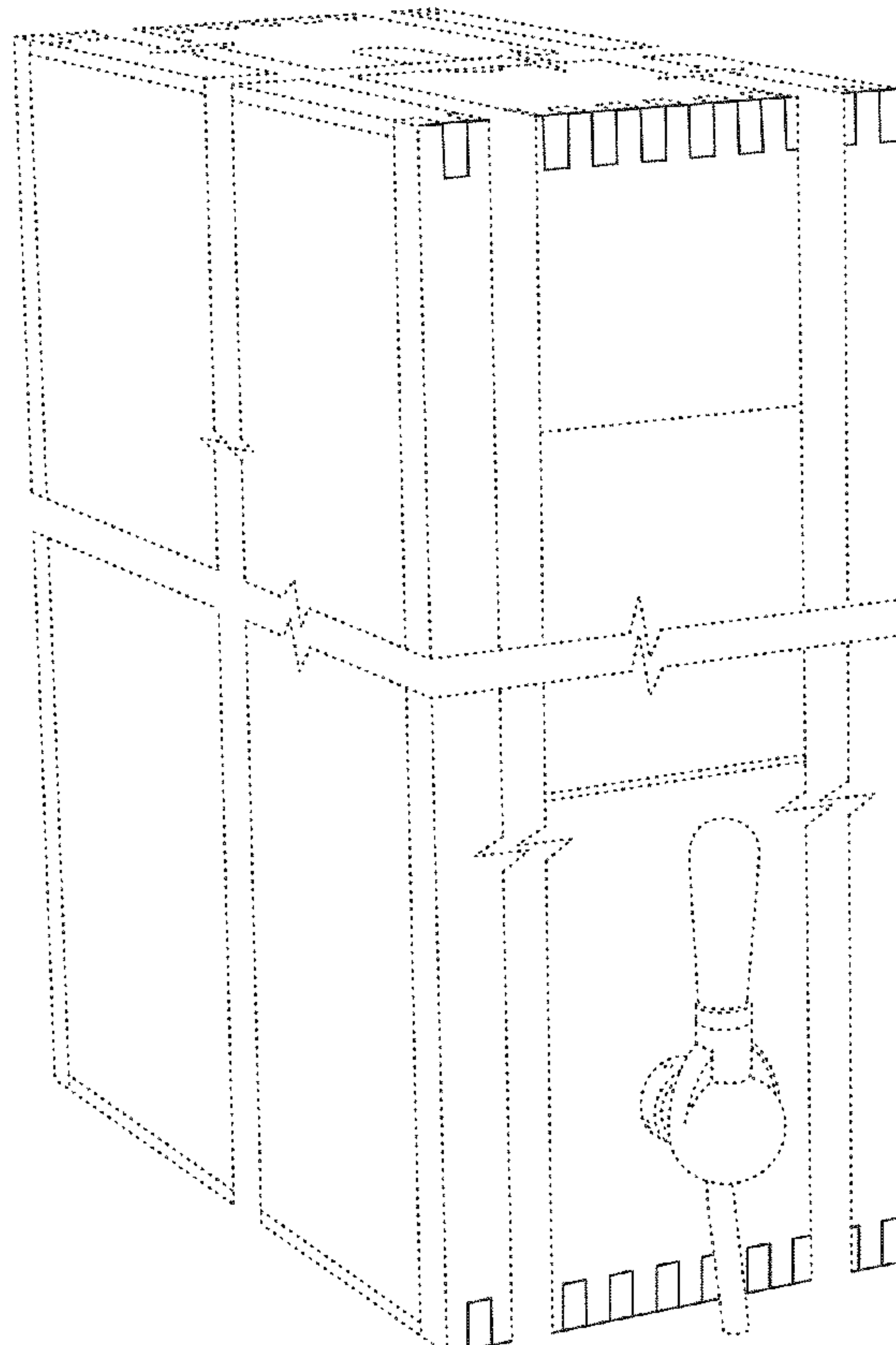
The ornamental design which is claimed is shown in solid lines in the drawings. The broken lines in the drawings are for illustrative purposes only and form no part of the claimed design.

1 Claim, 6 Drawing Sheets

(56) **References Cited**

U.S. PATENT DOCUMENTS

- D81,699 S * 7/1930 Klostermann D20/4
- D174,587 S * 4/1955 Moore D20/4
- 3,100,061 A * 8/1963 Carter et al. 221/131
- 3,146,908 A * 9/1964 Perri et al. 221/124
- 3,354,668 A * 11/1967 Cserny 62/449
- 4,651,862 A * 3/1987 Greenfield, Jr. 194/344
- D297,697 S * 9/1988 Fossella D7/311



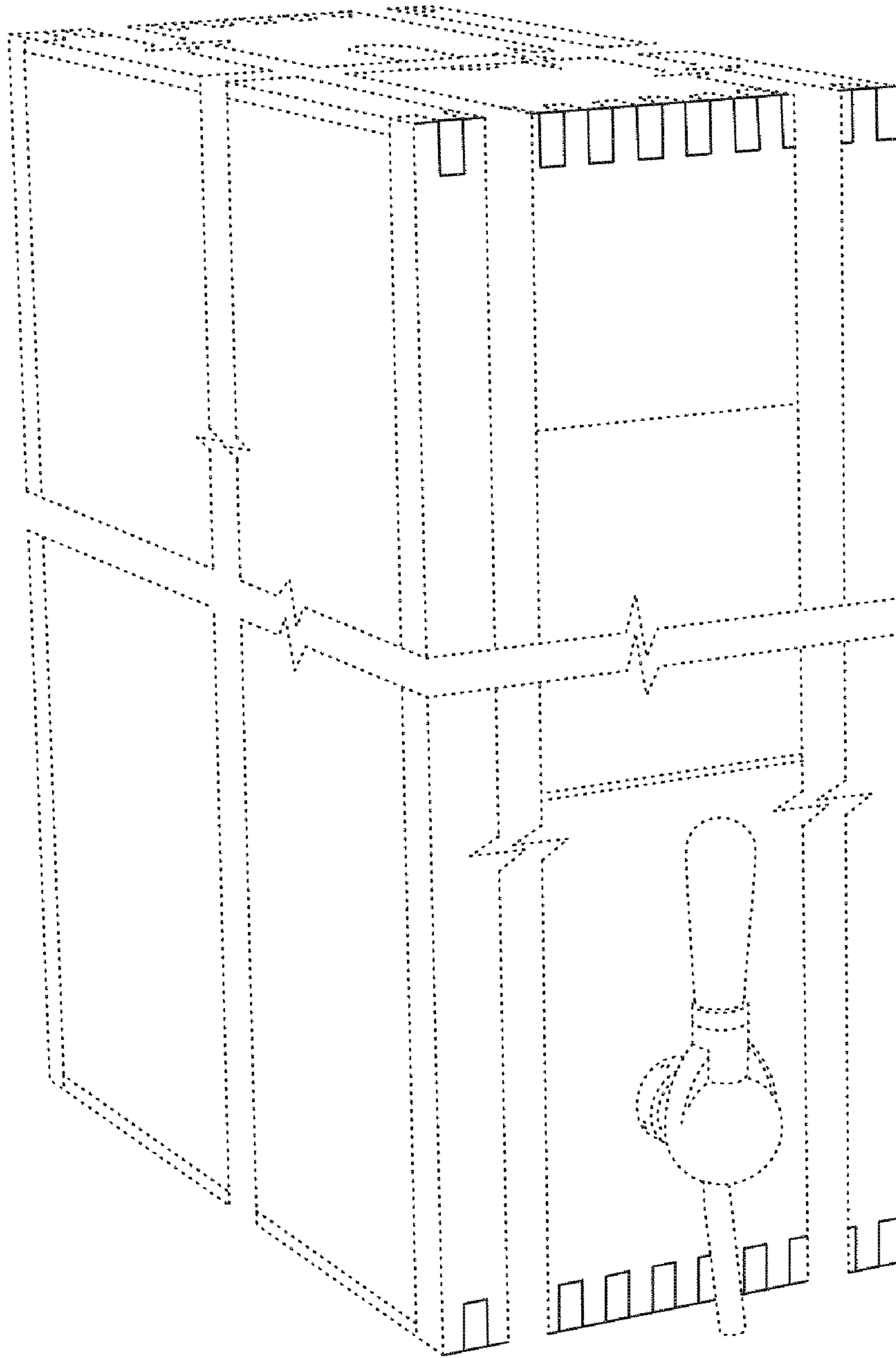


FIG. 1

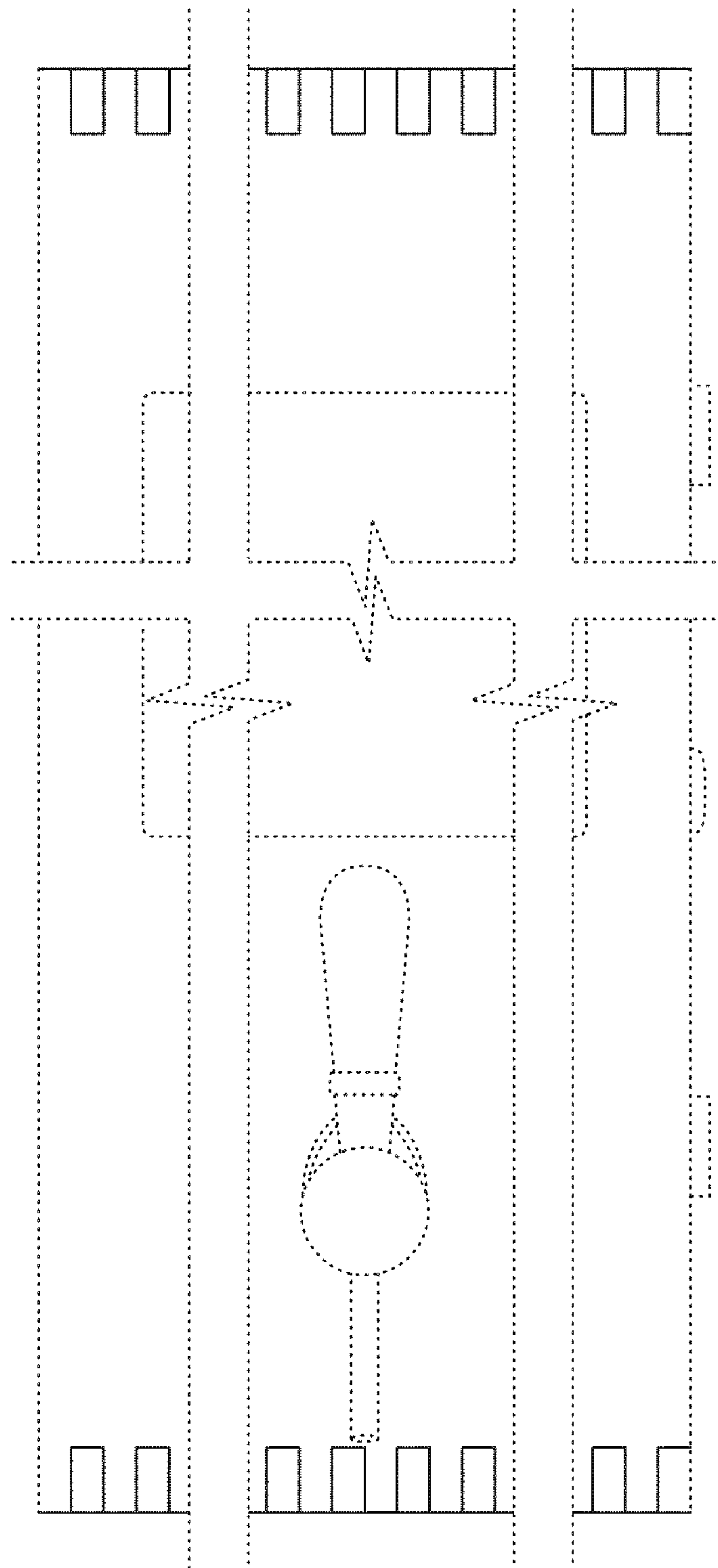


FIG. 2

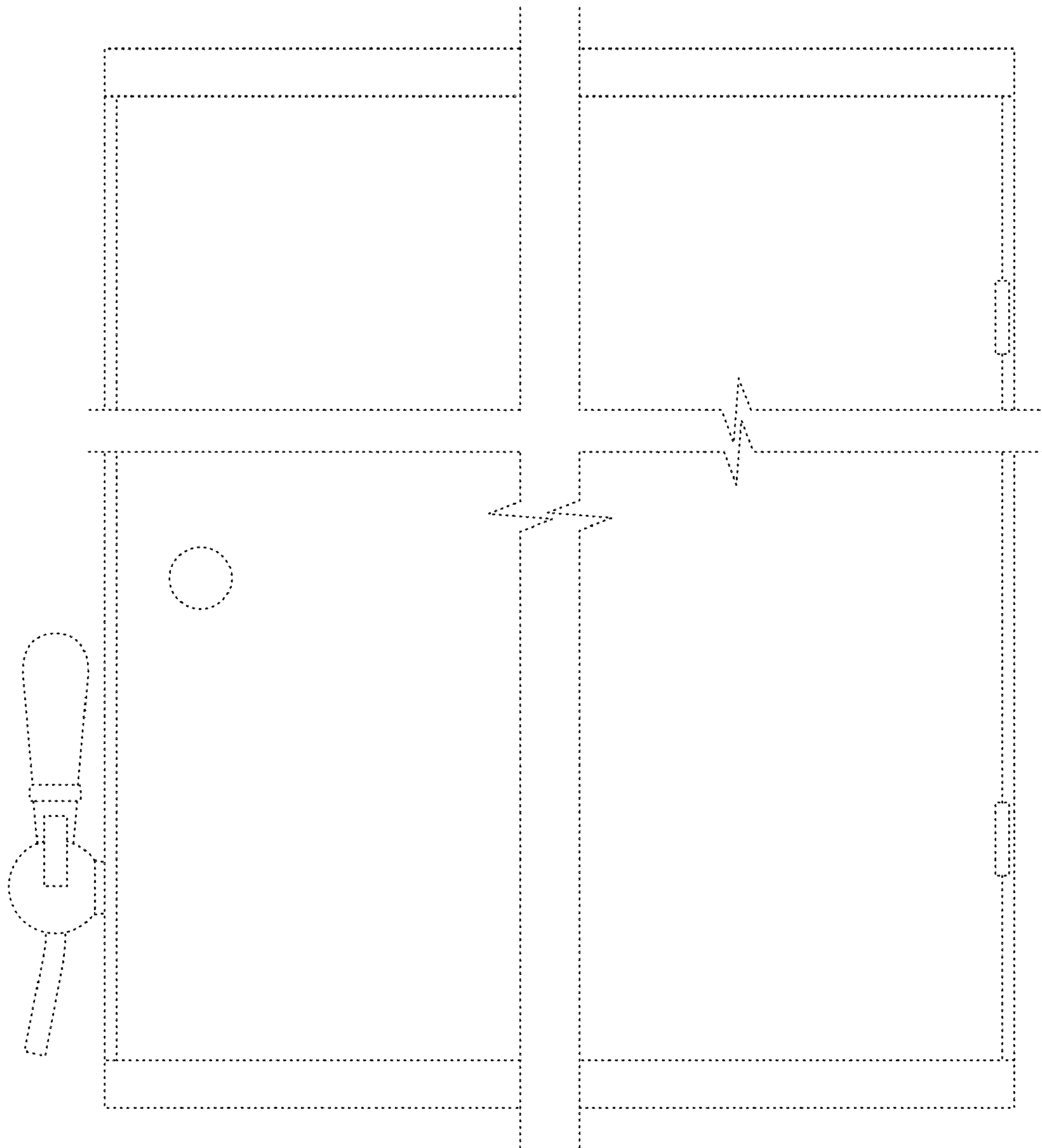


FIG. 3

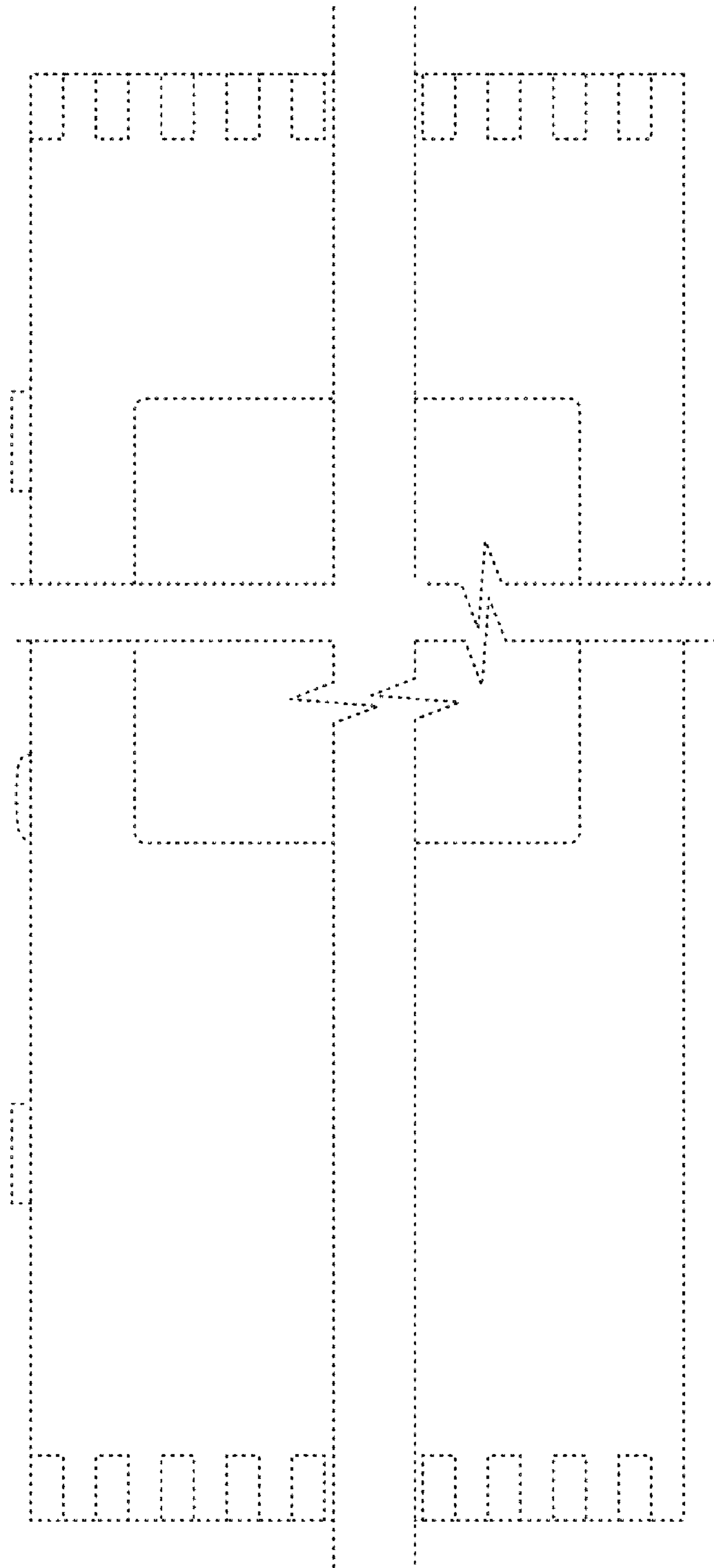


FIG. 4

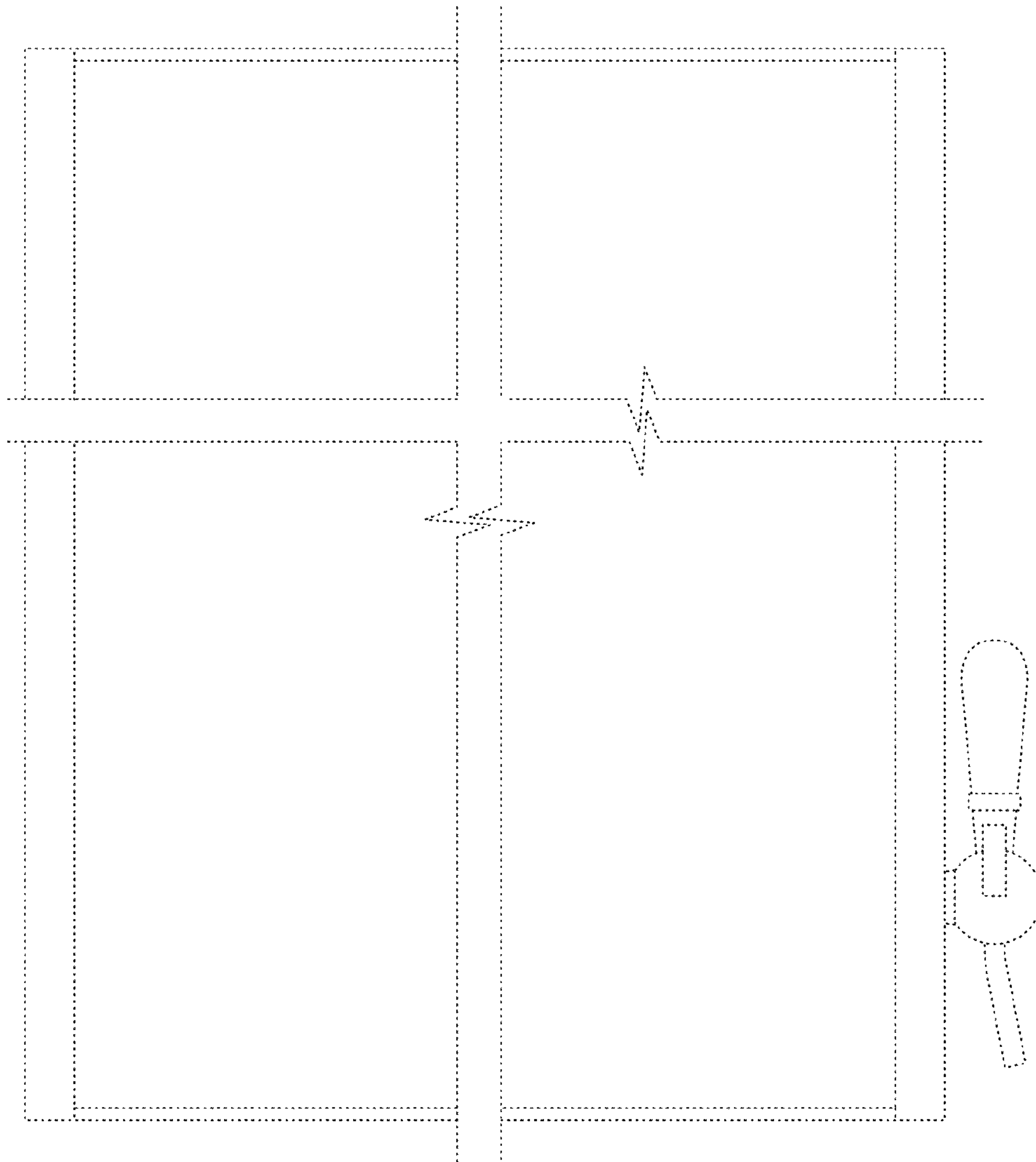


FIG. 5

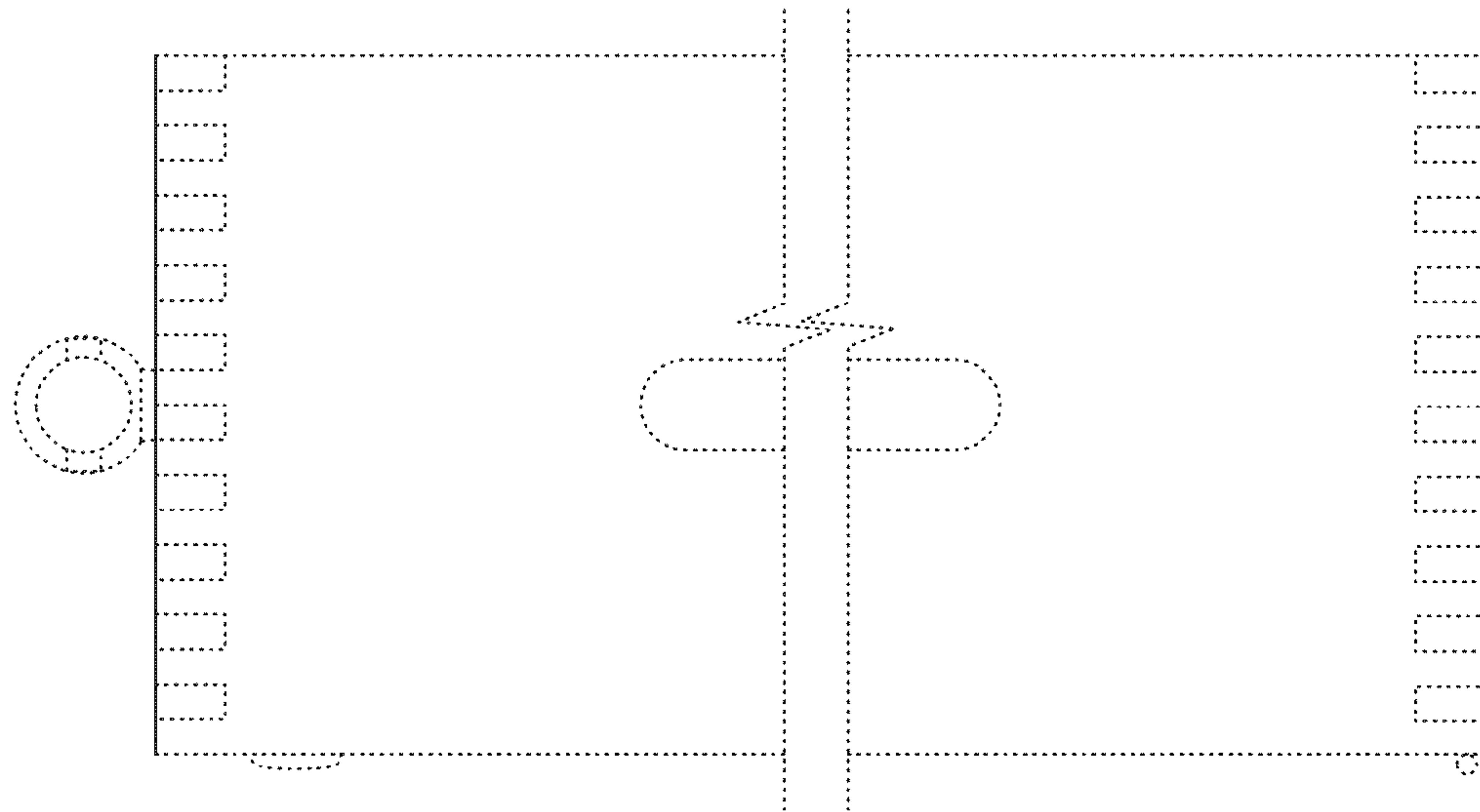


FIG. 6

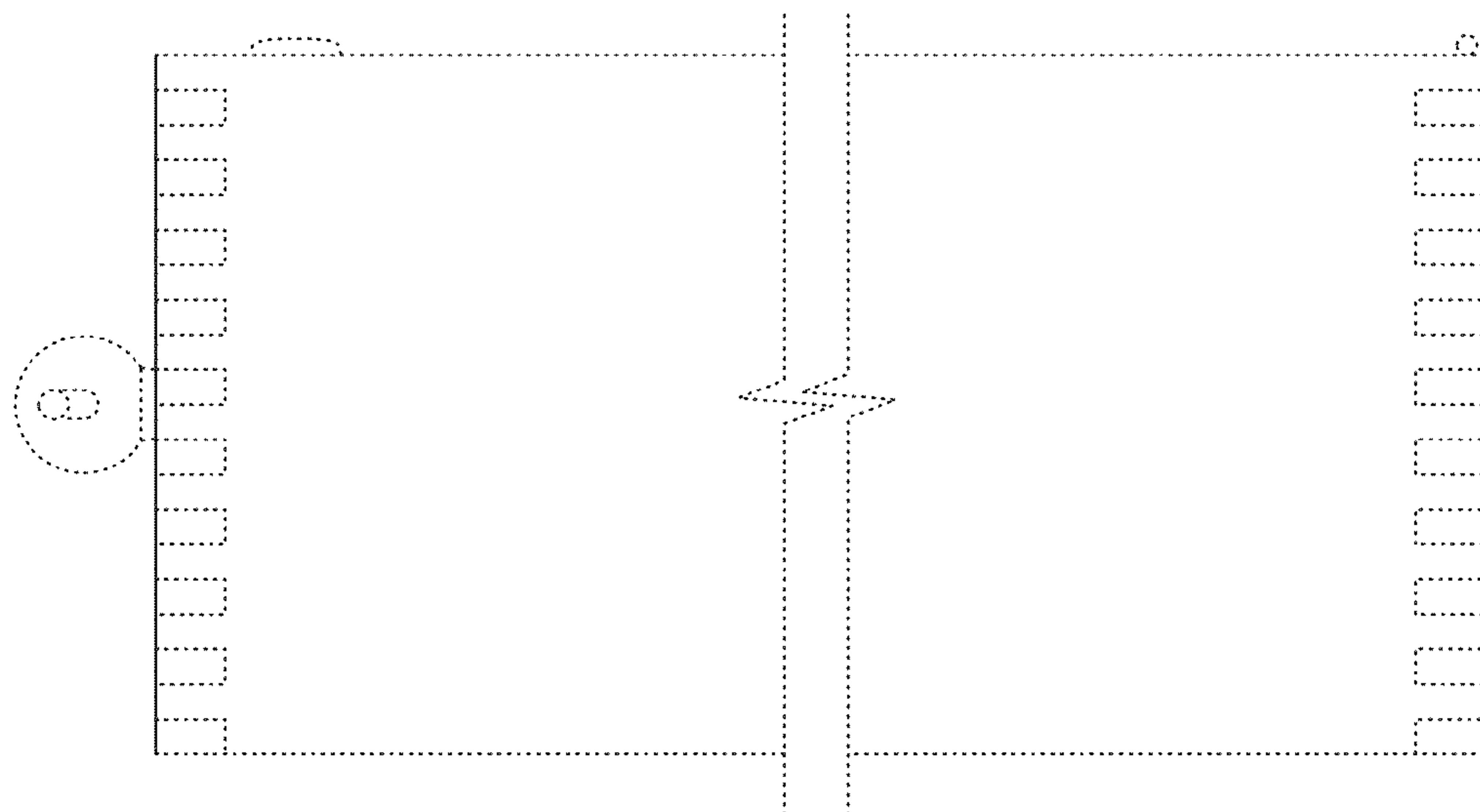


FIG. 7