



US00D646923S

(12) **United States Design Patent**  
**Chhay**

(10) **Patent No.:** **US D646,923 S**

(45) **Date of Patent:** **\*\* Oct. 18, 2011**

(54) **CONTAINER COVER**

(76) **Inventor:** **Khim Seang Chhay**, Alhambra, CA  
(US)

(\*\*) **Term:** **14 Years**

(21) **Appl. No.:** **29/373,582**

(22) **Filed:** **May 2, 2011**

**Related U.S. Application Data**

(62) Division of application No. 12/284,299, filed on Sep. 18, 2008.

(51) **LOC (9) Cl.** ..... **07-02**

(52) **U.S. Cl.** ..... **D7/391**

(58) **Field of Classification Search** ..... D7/318,  
D7/323, 354–363, 391–396, 402, 538, 541–543,  
D7/601–602, 610, 629; D9/424–428, 434–435,  
D9/443; 16/110.1, 407, 430–431, 441, 443;  
219/620–622, 725, 729–730, 734; 220/212,  
220/365–367.1, 573.1–573.5, 752–758, 767–771,  
220/832, 912

See application file for complete search history.

(56) **References Cited**

**U.S. PATENT DOCUMENTS**

D367,609 S *	3/1996	Frank et al.	.....	D9/425
D390,109 S *	2/1998	Tucker et al.	.....	D9/425
D427,063 S *	6/2000	May	.....	D9/425
D440,470 S *	4/2001	Tucker et al.	.....	D7/629
D443,184 S *	6/2001	Maxwell et al.	.....	D7/629
D448,288 S *	9/2001	Zettle et al.	.....	D9/425
D448,991 S *	10/2001	Zettle et al.	.....	D9/425
D462,880 S *	9/2002	Maxwell et al.	.....	D7/629
D469,689 S *	2/2003	Buchalski et al.	.....	D9/425

D470,048 S *	2/2003	Buchalski et al.	.....	D9/425
D490,278 S *	5/2004	Welsh	.....	D7/629
D501,754 S *	2/2005	Munson et al.	.....	D7/392.1
D541,598 S *	5/2007	Kim	.....	D7/629
D541,648 S *	5/2007	Bennett et al.	.....	D9/425
D542,100 S *	5/2007	Kim	.....	D7/629
D544,762 S *	6/2007	Zimmerman	.....	D7/629
D548,588 S *	8/2007	Bouveret et al.	.....	D9/428
D551,496 S *	9/2007	Ablo et al.	.....	D7/392.1
D557,993 S *	12/2007	Stamper et al.	.....	D7/629
D566,482 S *	4/2008	Tucker et al.	.....	D7/629
D592,500 S *	5/2009	Colacitti	.....	D9/425
D596,454 S *	7/2009	de Groote	.....	D7/392.1
D611,807 S *	3/2010	Miga, Jr.	.....	D9/424
D614,950 S *	5/2010	Colacitti	.....	D9/425
D615,349 S *	5/2010	Furlong	.....	D7/392.1
D628,475 S *	12/2010	Snedden et al.	.....	D9/426

\* cited by examiner

*Primary Examiner* — Ricky Pham

(74) *Attorney, Agent, or Firm* — Raymond Y. Chan; David and Raymond Patent Firm

(57) **CLAIM**

The ornamental design for a container cover, as shown and described.

**DESCRIPTION**

FIG. 1 is a top perspective view of container cover showing my new design.

FIG. 2 is a top view thereof.

FIG. 3 is a bottom view thereof.

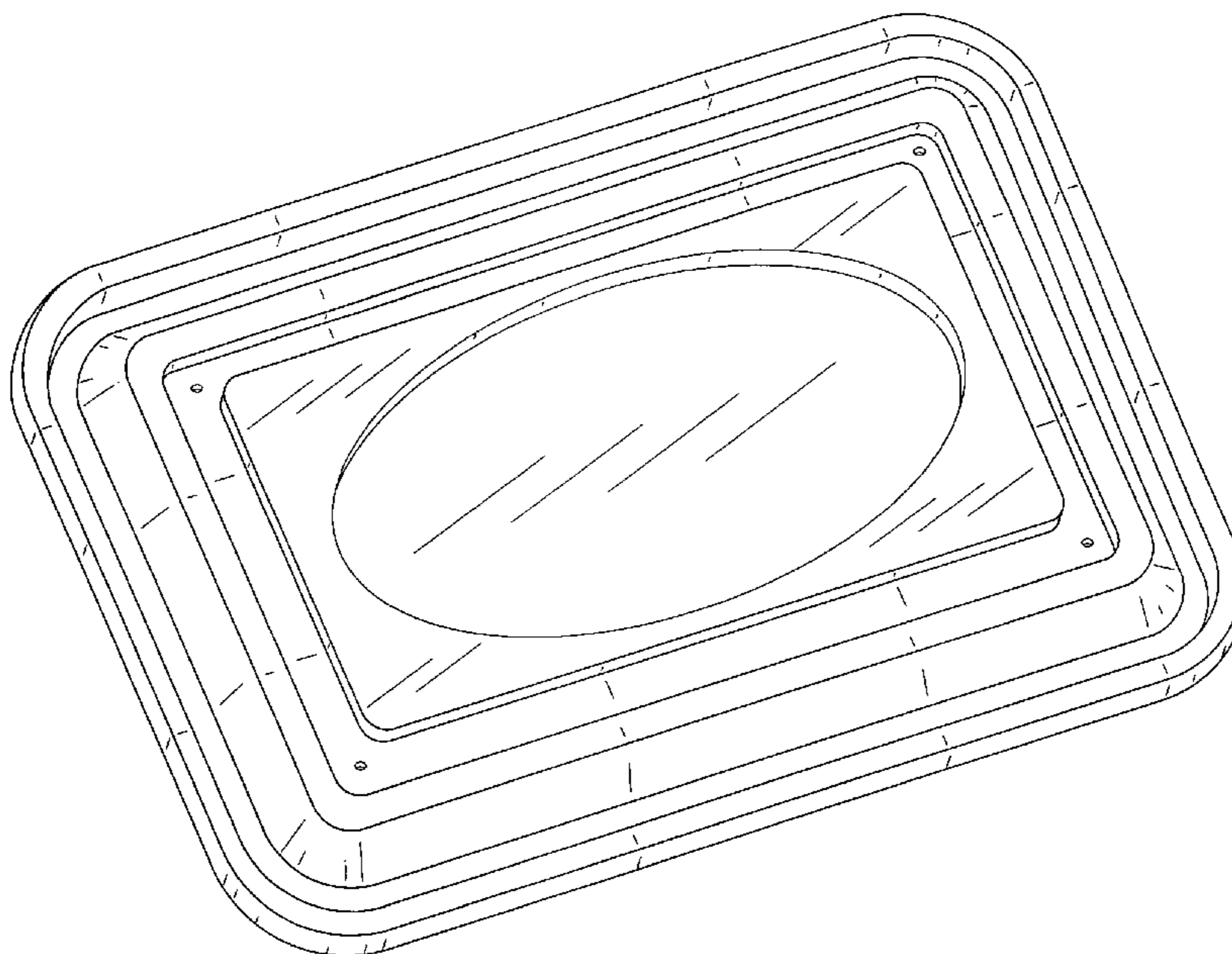
FIG. 4 is a left view thereof.

FIG. 5 is a right view thereof.

FIG. 6 is a front view thereof; and,

FIG. 7 is a rear view thereof.

**1 Claim, 7 Drawing Sheets**



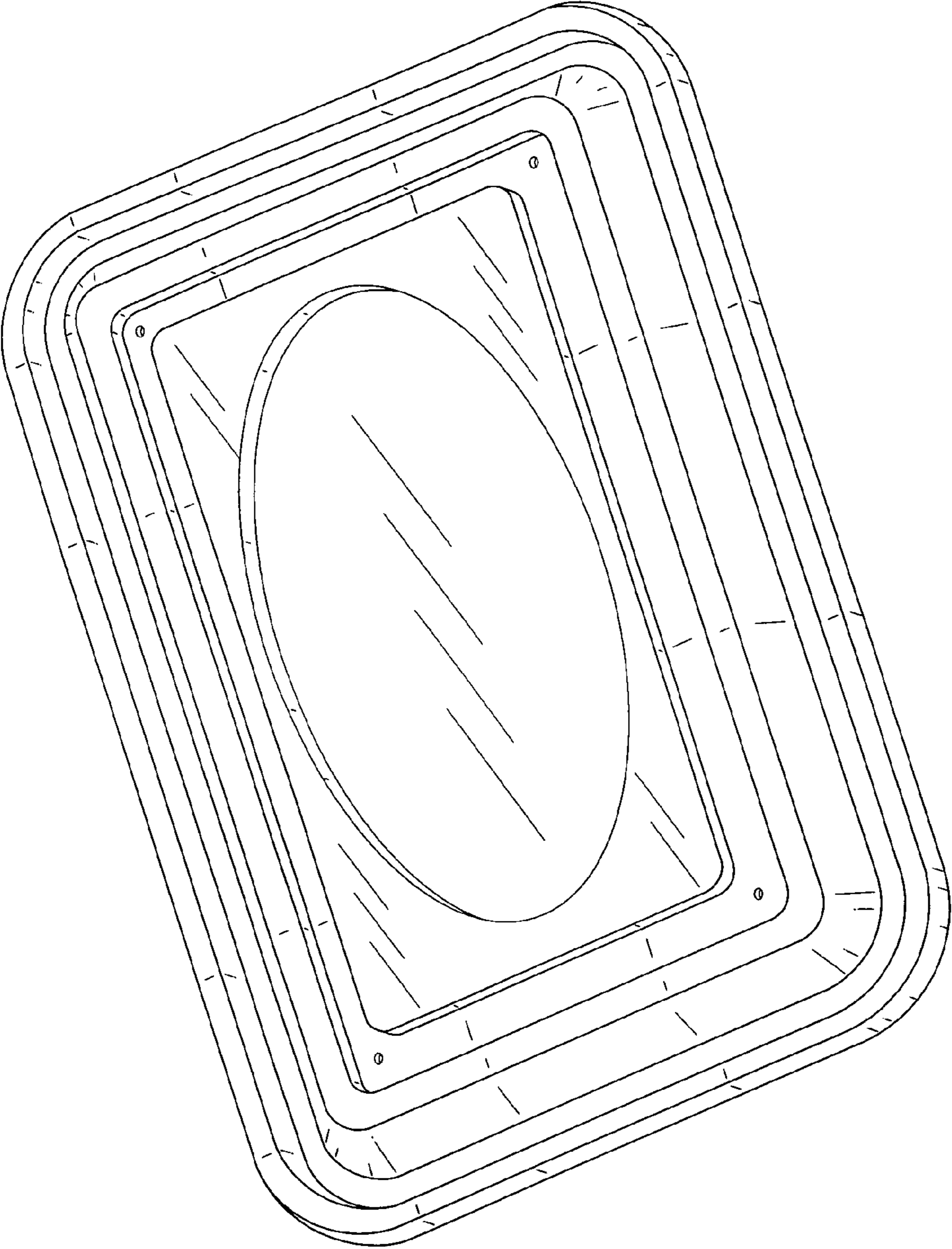


FIG. 1

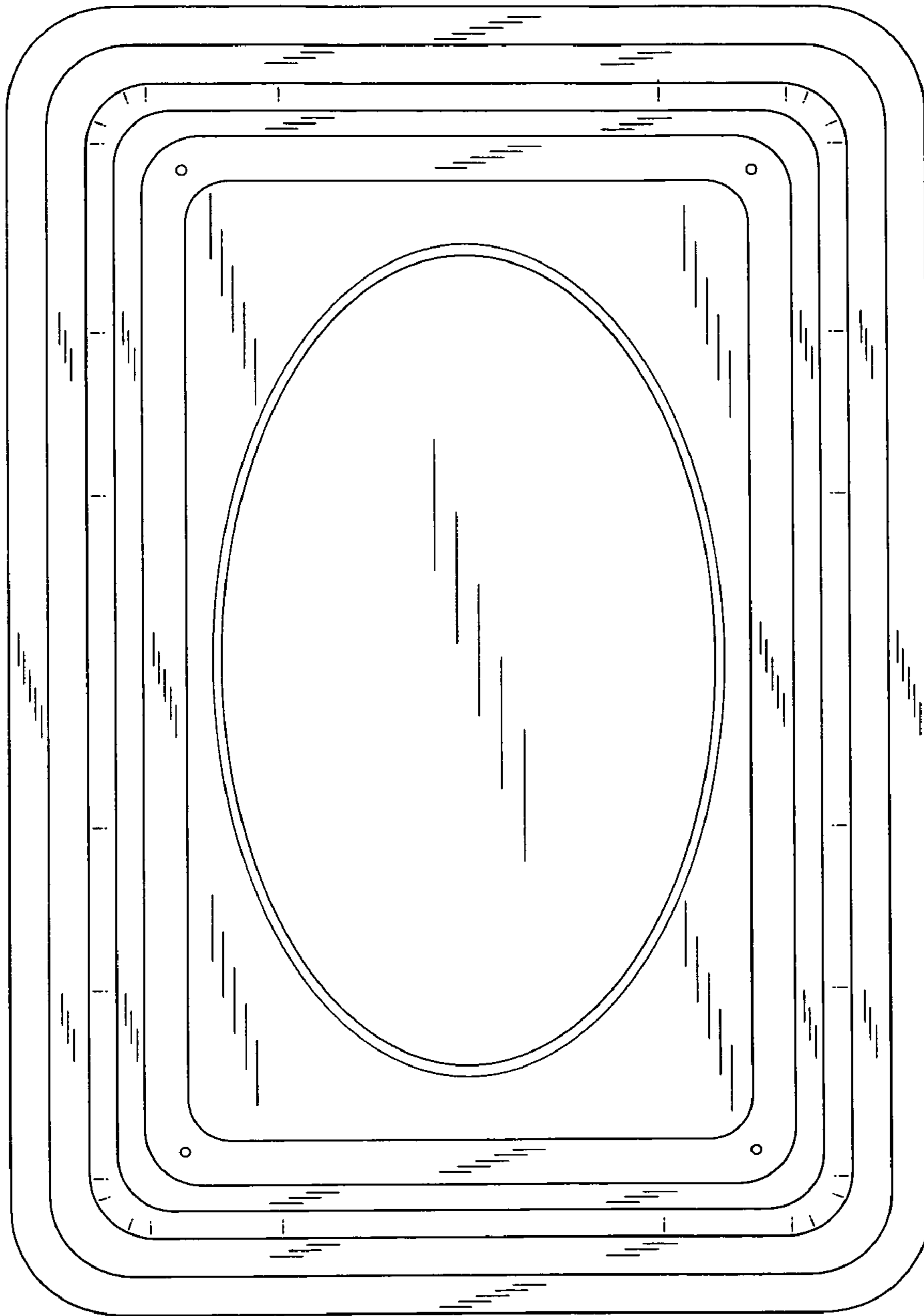


FIG.2

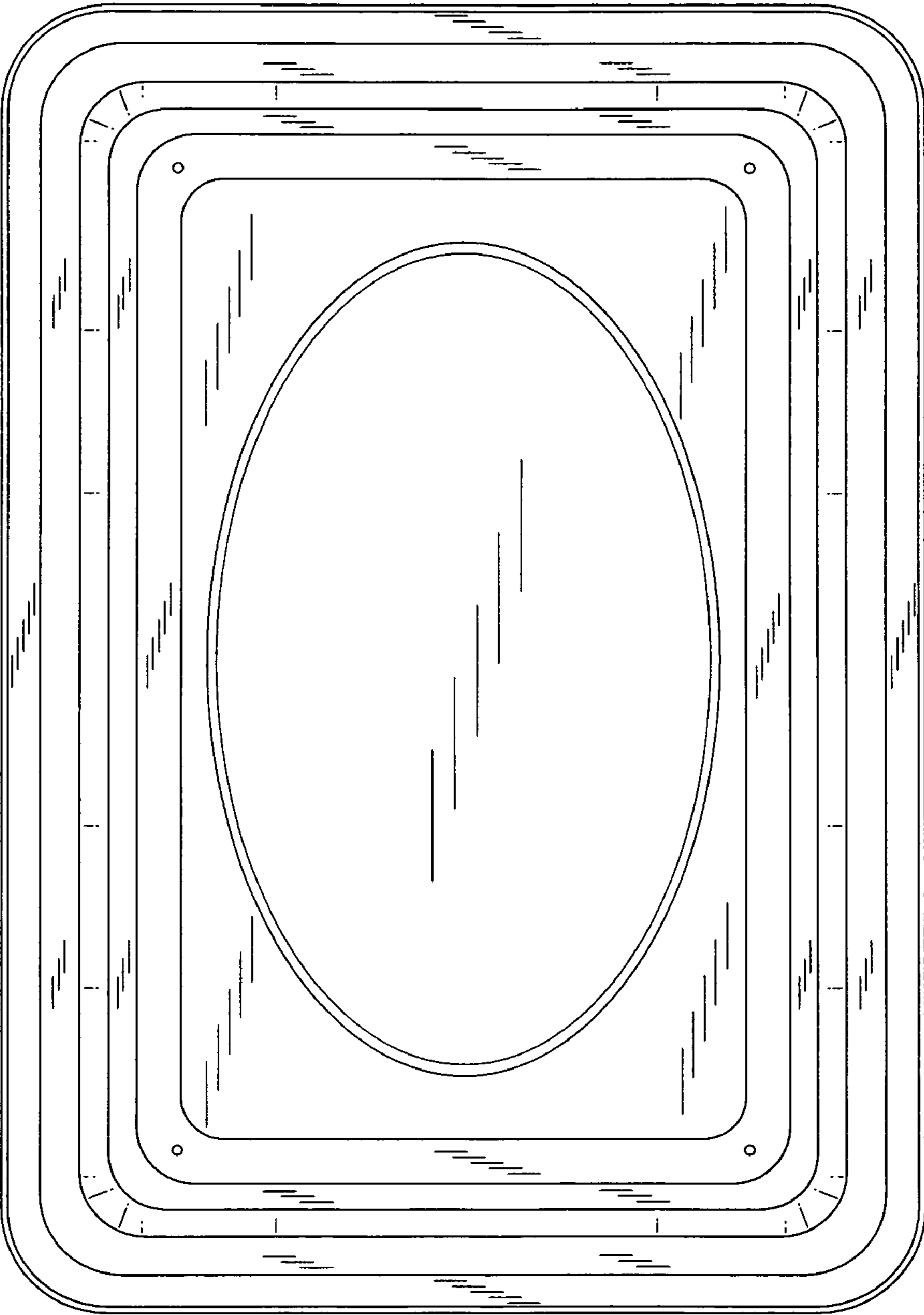


FIG.3

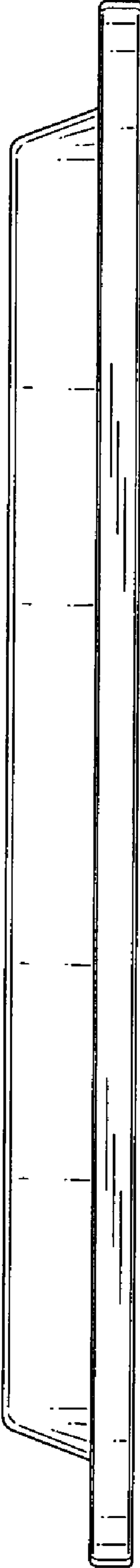


FIG. 4

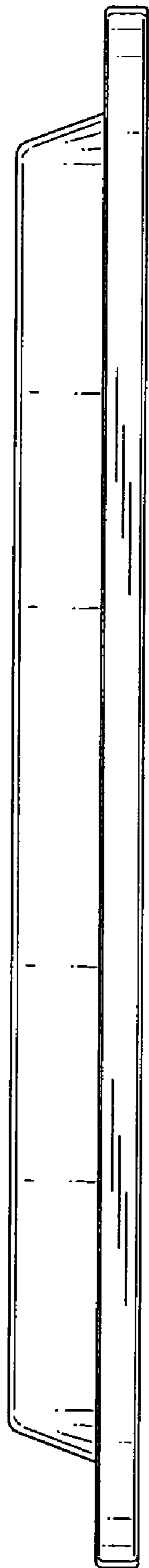


FIG. 5

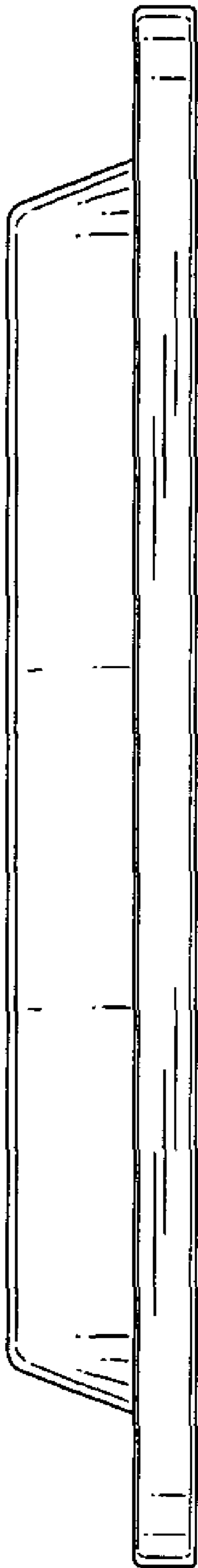


FIG. 6

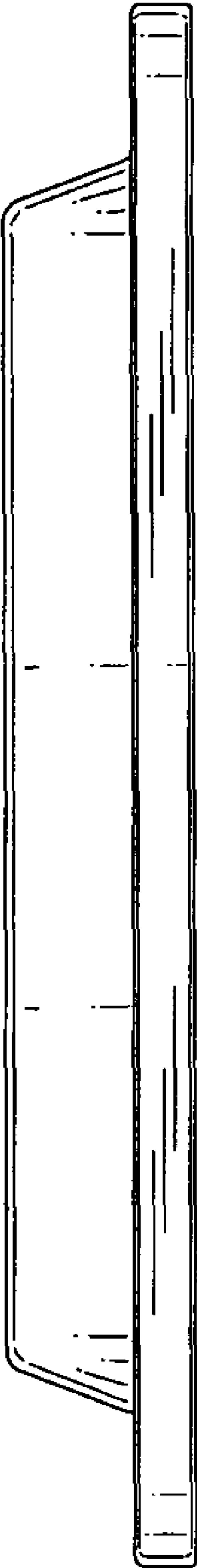


FIG. 7