



US00D646917S

(12) **United States Design Patent**  
**Wynalda, Jr. et al.**

(10) **Patent No.:** **US D646,917 S**  
(45) **Date of Patent:** **\*\* \*Oct. 18, 2011**

- (54) **MEDIA DISC STORAGE CONTAINER**
- (76) Inventors: **Robert M. Wynalda, Jr.**, Comstock Park, MI (US); **Robert G. Rajter, Jr.**, Rockford, MI (US)
- (\*) Notice: This patent is subject to a terminal disclaimer.
- (\*\*) Term: **14 Years**
- (21) Appl. No.: **29/336,216**
- (22) Filed: **Apr. 29, 2009**
- (51) **LOC (9) Cl.** ..... **06-04**
- (52) **U.S. Cl.** ..... **D6/627**
- (58) **Field of Classification Search** ..... D6/407, D6/510, 626-635; D9/415, 418, 420, 422-426, D9/428, 432-433; D19/26-27; 206/307, 206/307.1, 308.1, 309-313, 308.2, 308.3, 206/445, 387.15, 749, 751; D3/273, 294, D3/295, 299-301, 303-304, 218, 201, 270; 312/9.1, 902, 9.9, 9.48, 9.55, 9.64, 9.47, 312/9.53; D14/478-479; 40/495; 434/404  
See application file for complete search history.

- 5,662,216 A 9/1997 Nesbitt
- 5,669,491 A 9/1997 Pettey
- D387,976 S 12/1997 Mori
- 5,735,396 A 4/1998 Condorodis
- 5,819,928 A 10/1998 Wynalda
- D406,002 S 2/1999 Price
- 5,960,949 A 10/1999 Wynalda
- D417,974 S 12/1999 Mori
- D428,730 S 8/2000 Farnstrom
- 6,105,762 A 8/2000 Pettey

(Continued)

**FOREIGN PATENT DOCUMENTS**

WO WO 2009/102993 A2 8/2009

**OTHER PUBLICATIONS**

Office action in related U.S. Appl. No. 12/366,456, filed Feb. 5, 2009.

*Primary Examiner* — T. Chase Nelson

(74) *Attorney, Agent, or Firm* — Zollinger & Burleson Ltd.

(57) **CLAIM**

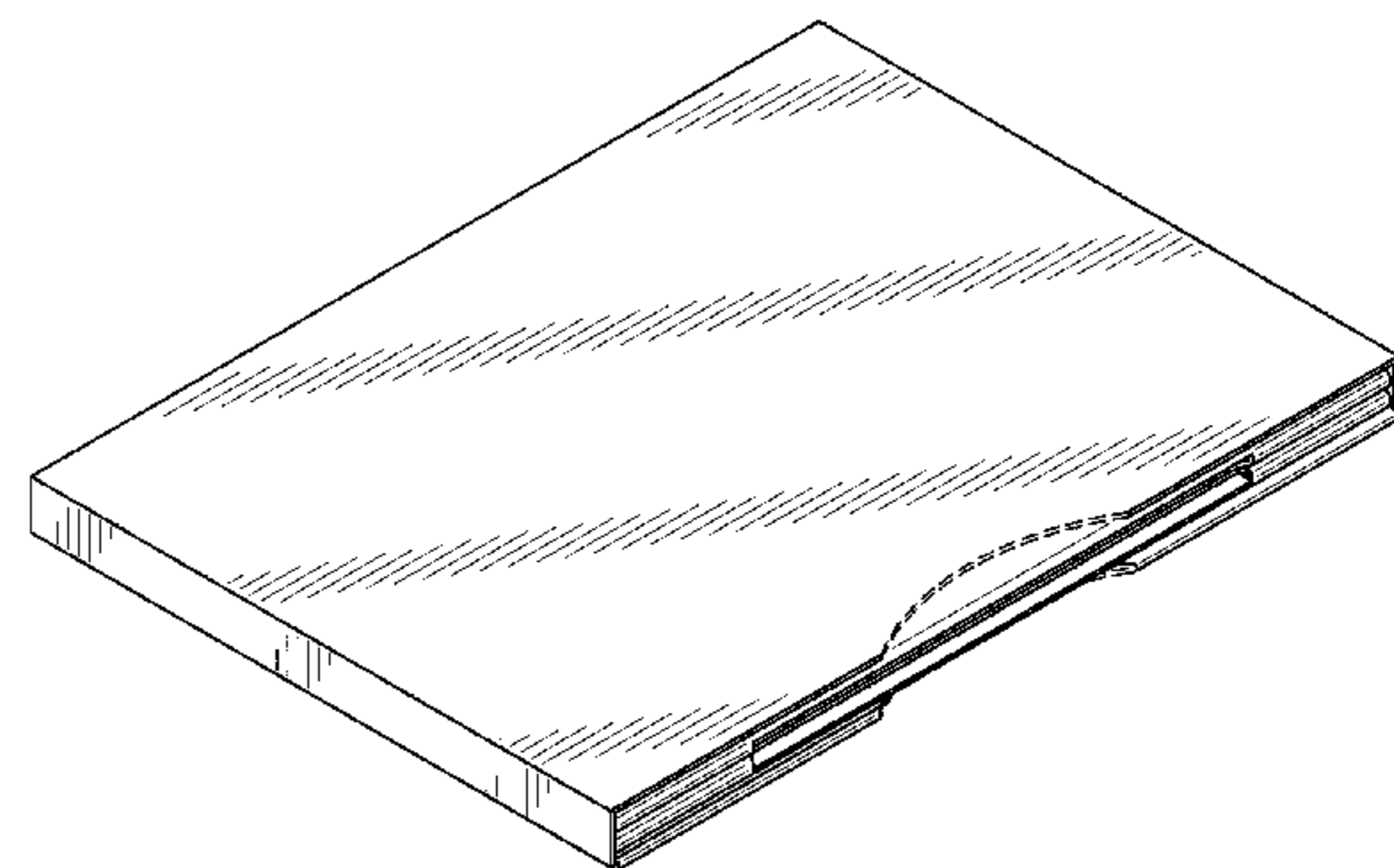
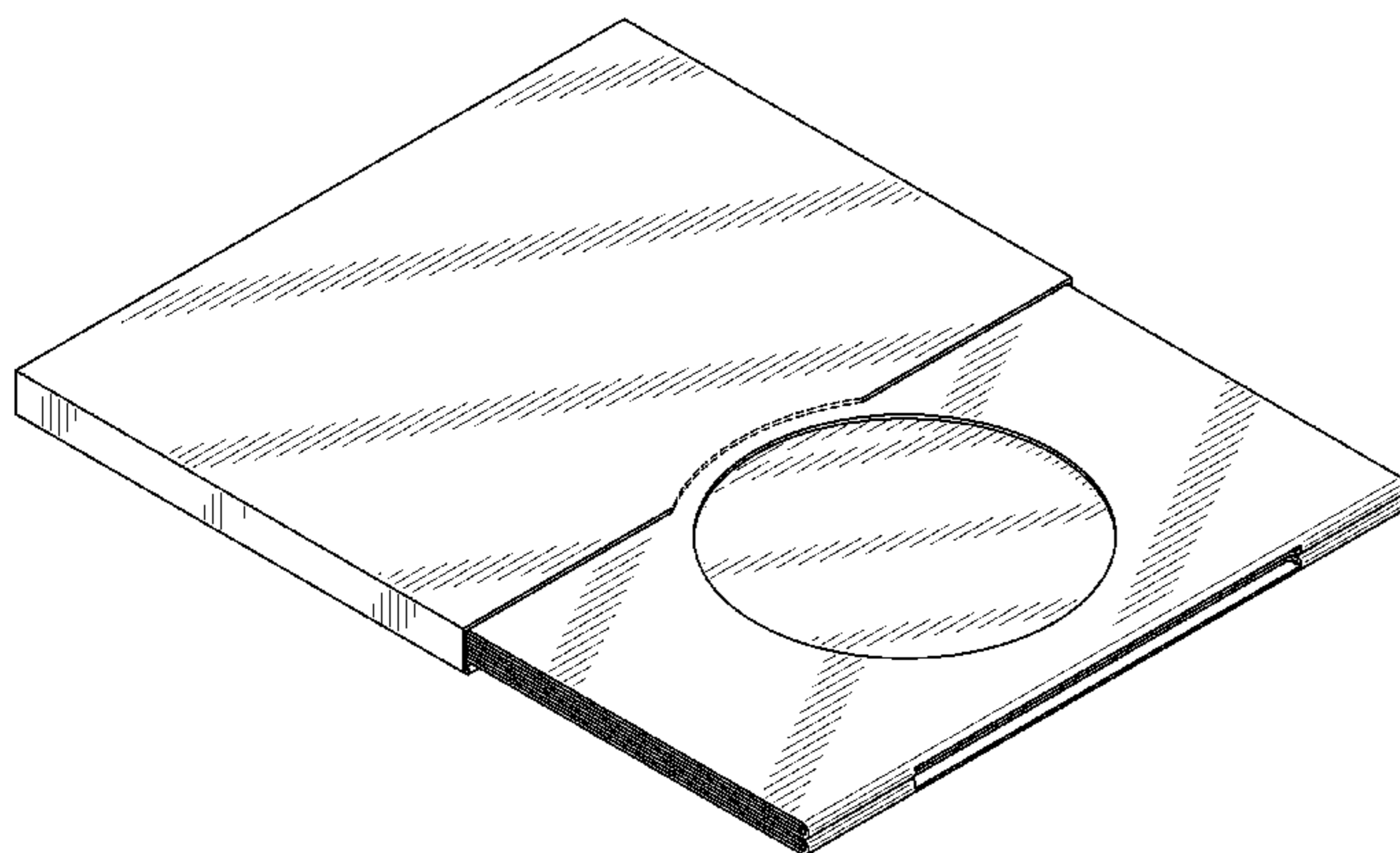
The ornamental design for the media disc storage container, as shown and described.

**DESCRIPTION**

FIG. 1 is a perspective view of a media disc storage container in an open configuration;  
 FIG. 2 is a perspective view of the media disc storage container of FIG. 1 in a closed configuration;  
 FIG. 3 is a front elevation of FIG. 1;  
 FIG. 4 is a rear elevation of FIG. 1;  
 FIG. 5 is a left side view of FIG. 3;  
 FIG. 6 is a right side view of FIG. 3;  
 FIG. 7 is a top plan view of FIG. 3; and,  
 FIG. 8 is a bottom plan view of FIG. 3.  
 The broken lines form no part of the claimed design.

**1 Claim, 6 Drawing Sheets**

- (56) **References Cited**
- U.S. PATENT DOCUMENTS**
- 2,345,230 A \* 3/1944 Bender ..... 206/311
- 3,337,119 A 8/1967 Bowers
- 3,826,360 A 7/1974 Shore
- 4,488,644 A 12/1984 Wynalda
- RE32,296 E 11/1986 Wynalda
- 5,096,064 A 3/1992 Rufo
- 5,101,973 A 4/1992 Martinez
- 5,333,728 A \* 8/1994 O'Brien et al. .... 206/232
- 5,422,875 A 6/1995 Bribach
- D360,360 S 7/1995 Kiolbasa
- 5,460,265 A 10/1995 Kiolbasa



# US D646,917 S

Page 2

---

U.S. PATENT DOCUMENTS									
6,109,432	A	8/2000	Pozzoli	D574,654	S *	8/2008	Kaiser	.....	D6/627
6,126,201	A	10/2000	Pace	D582,192	S	12/2008	Pan		
D433,808	S	11/2000	Moorhouse	D599,153	S	9/2009	Wynalda		
D436,785	S *	1/2001	Kitch	D599,154	S	9/2009	Wynalda		
6,182,825	B1	2/2001	Butcher	D599,155	S	9/2009	Wynalda		
D443,435	S	6/2001	Farnstrom	D599,156	S	9/2009	Wynalda		
D447,052	S *	8/2001	Goserud	D619,845	S *	7/2010	Gelardi et al.	.....	D6/634
6,296,112	B1	10/2001	Petty	2002/0118948	A1	8/2002	Jones		
D451,384	S	12/2001	Faulstich	2004/0045843	A1	3/2004	Exline		
6,360,887	B1	3/2002	Petty	2006/0175211	A1 *	8/2006	Intveen	.....	206/308.1
6,845,865	B2	1/2005	Wynalda	2007/0251843	A1	11/2007	Wynalda		
D514,861	S	2/2006	Mundy	2008/0017536	A1	1/2008	Wynalda		
7,028,835	B1	4/2006	Rajter	2008/0083145	A1	4/2008	Wynalda		
D519,773	S *	5/2006	Jun	2009/0194442	A1	8/2009	Wynalda		
7,156,288	B2	1/2007	Liddell	2009/0288968	A1	11/2009	Wynalda		
D558,503	S *	1/2008	Hurley	2010/0126890	A1 *	5/2010	Libohova	.....	206/307
D559,578	S *	1/2008	Kaiser						

\* cited by examiner

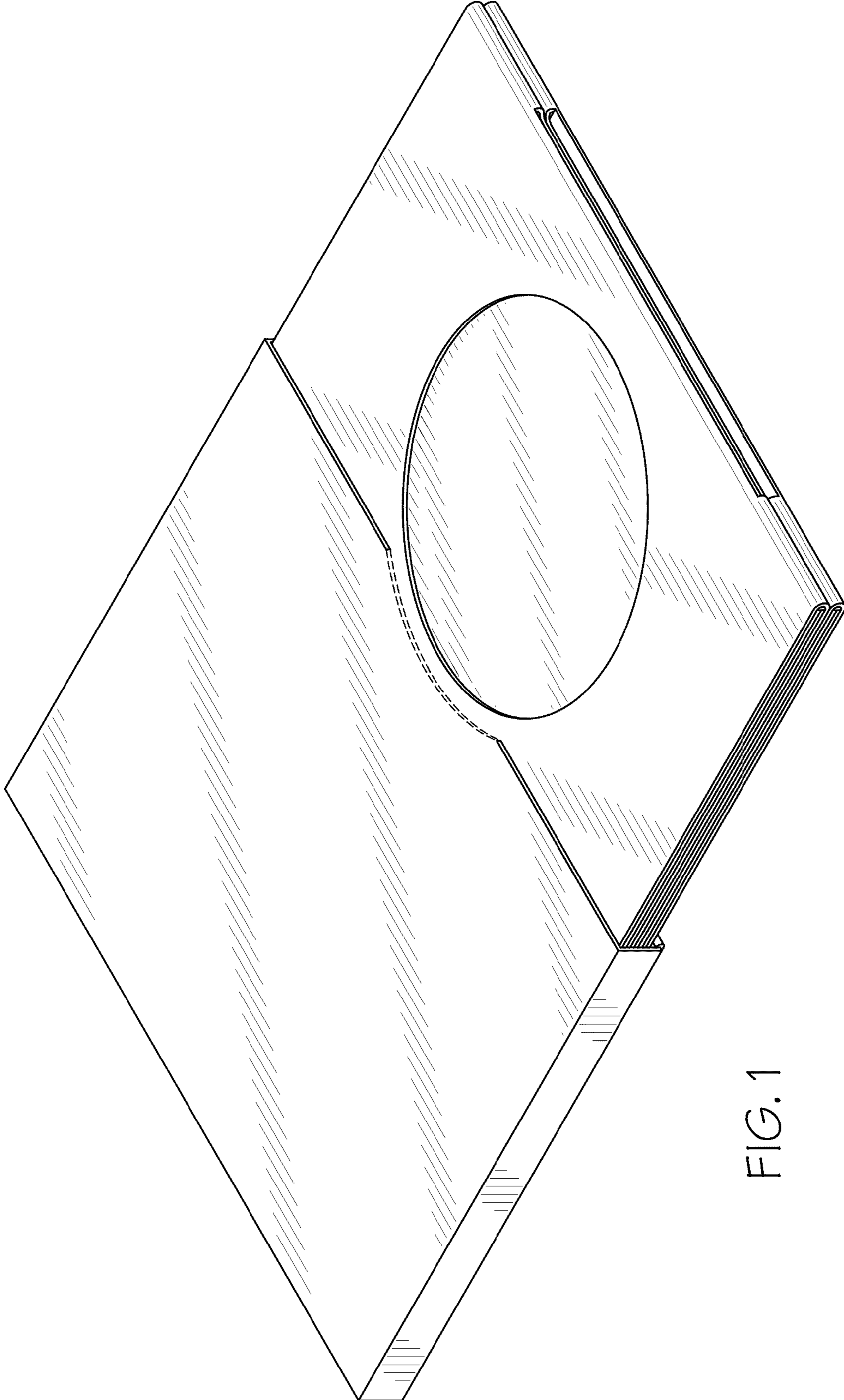


FIG. 1

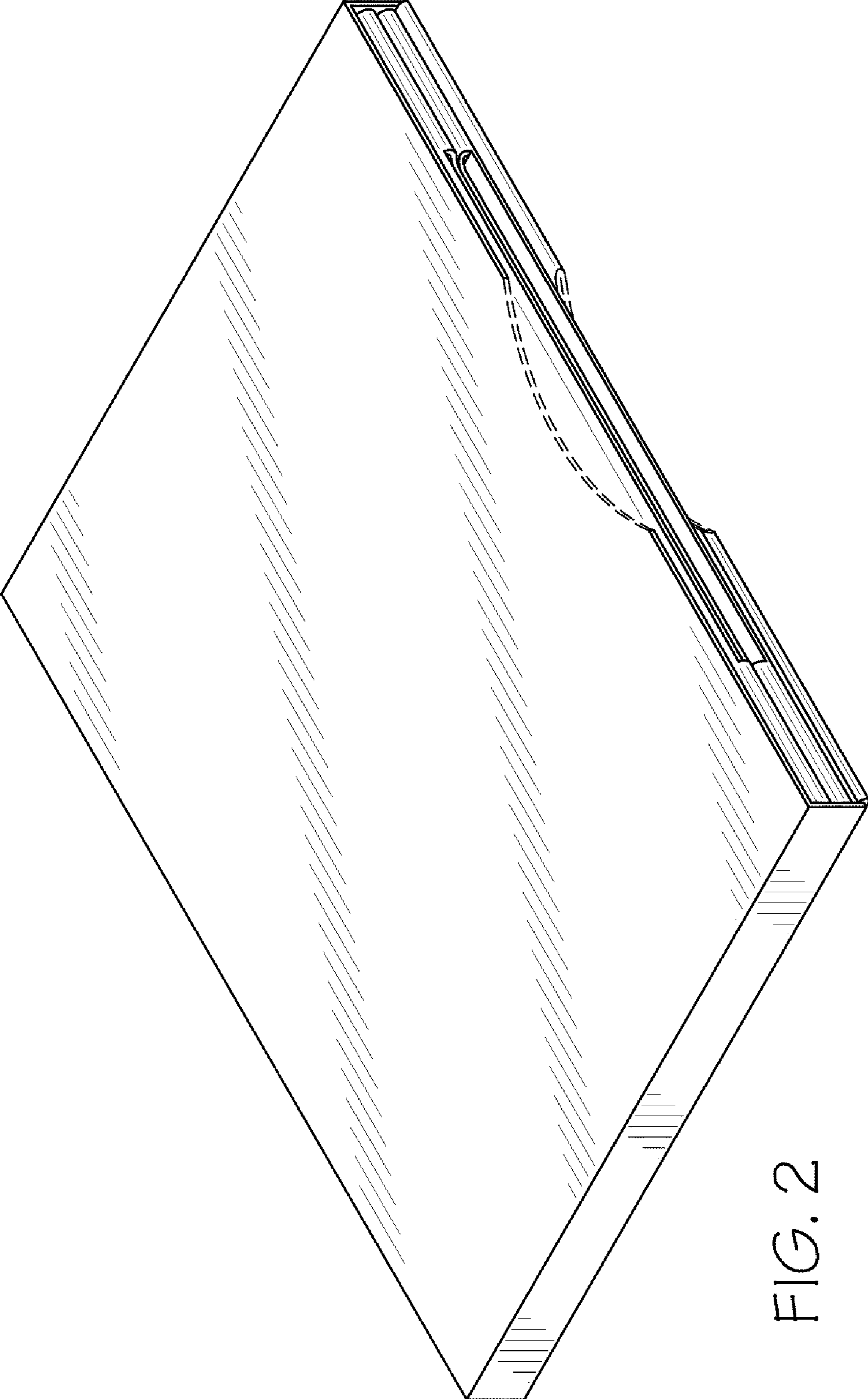


FIG. 2

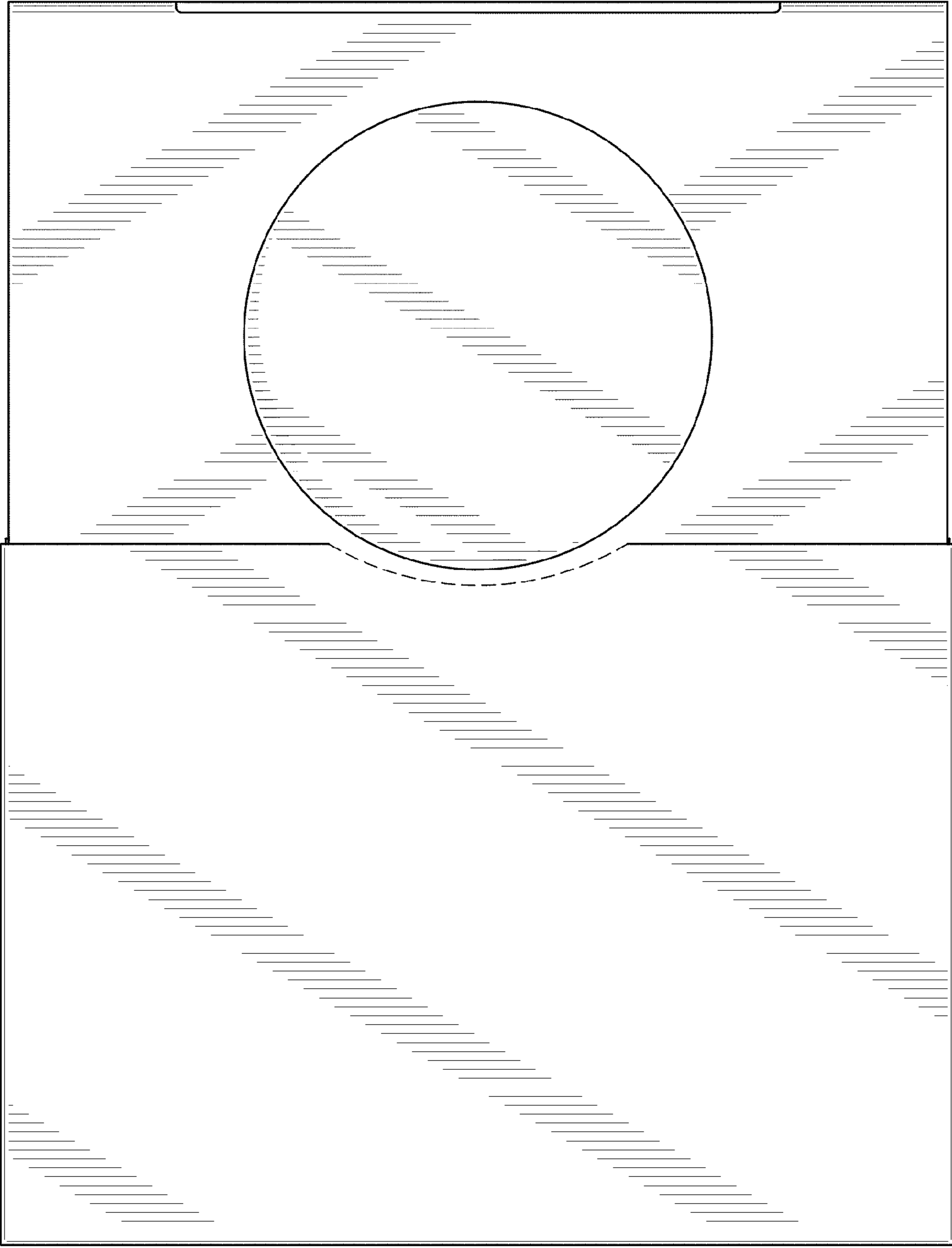


FIG. 3

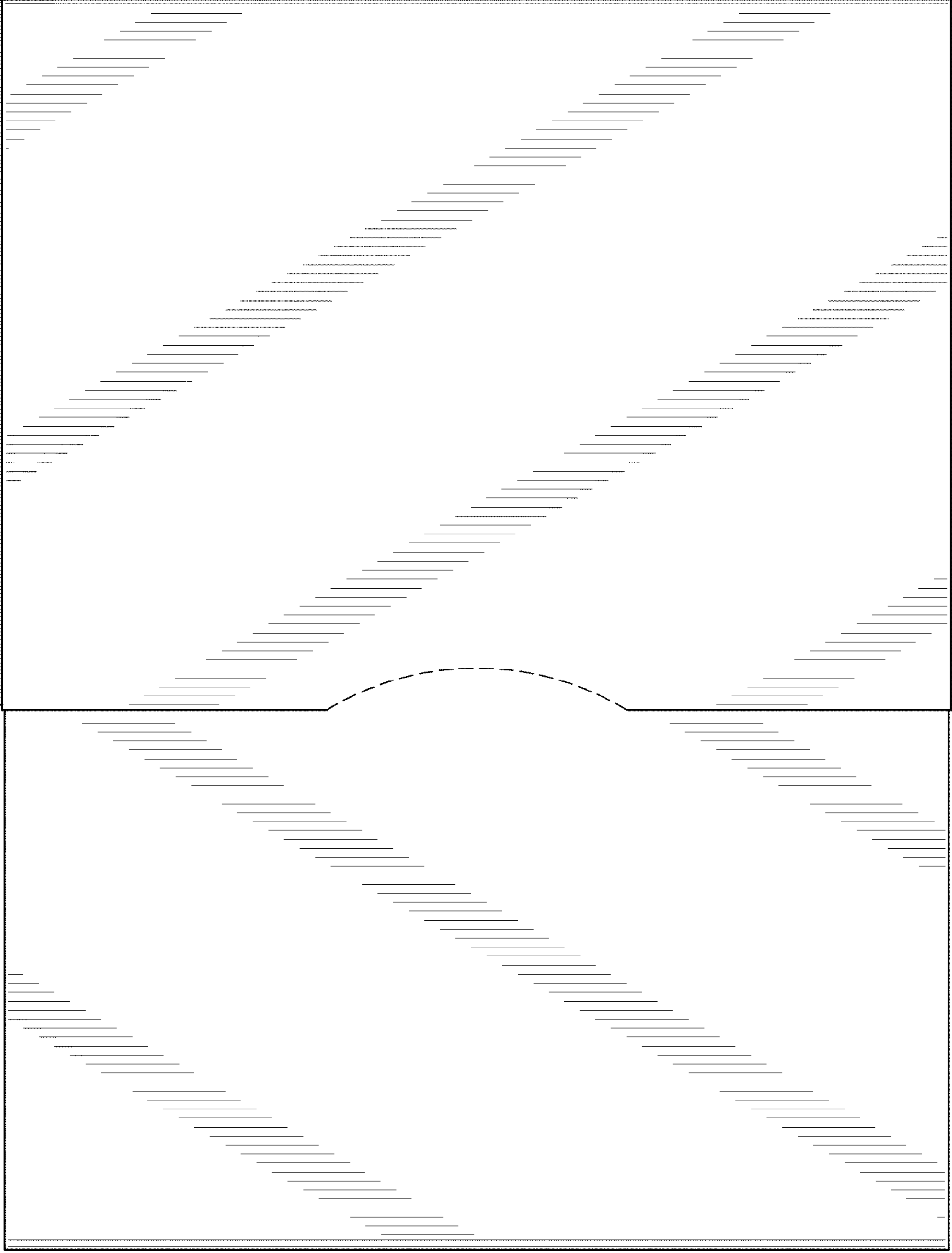


FIG. 4

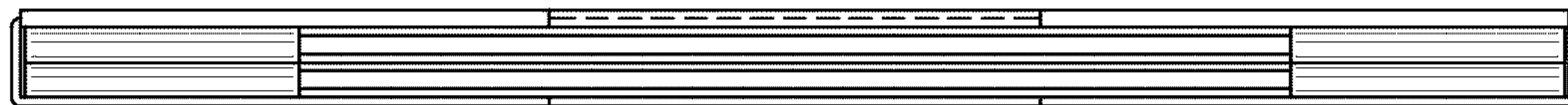


FIG. 6

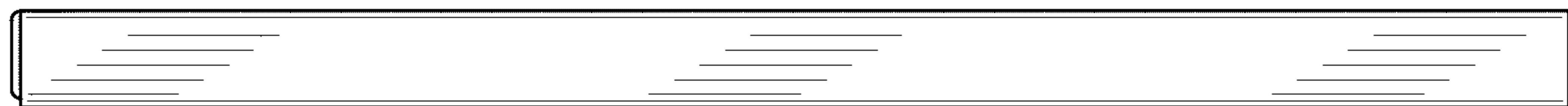


FIG. 5

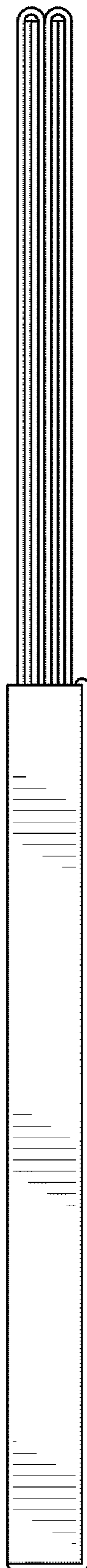


FIG. 7

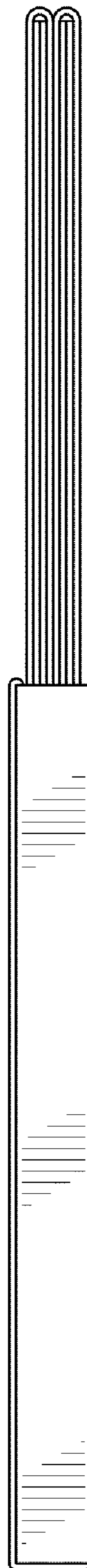


FIG. 8