



US00D646914S

(12) **United States Design Patent**
Gaschy

(10) **Patent No.:** **US D646,914 S**
(45) **Date of Patent:** **** Oct. 18, 2011**

(54) **SEATING UNIT**
(75) Inventor: **Bryony Gaschy**, Oberhausbergen (FR)
(73) Assignee: **Steelcase, Inc.**, Grand Rapids, MI (US)
(**) Term: **14 Years**
(21) Appl. No.: **29/361,694**
(22) Filed: **May 13, 2010**
(51) **LOC (9) Cl.** **06-01**
(52) **U.S. Cl.** **D6/500**
(58) **Field of Classification Search** D6/334-336,
D6/360-369, 374, 379-380, 498, 500-502;
297/284.4, 411.27, 452.13, 452.19, 452.21,
297/452.29, 452.3, 452.56, 452.64
See application file for complete search history.

D335,596 S 5/1993 Wogoman et al.
D336,724 S 6/1993 Wilson
D338,785 S 8/1993 Lange
D344,196 S 2/1994 Snodgrass et al.
D344,418 S 2/1994 Favaretto
D345,259 S 3/1994 Narita
D346,501 S 5/1994 Llusca
D348,787 S 7/1994 Zapf
D349,196 S 8/1994 Lohmeyer
D350,242 S 9/1994 Lohmeyer
D350,653 S 9/1994 Citterio
D351,070 S 10/1994 Scheper et al.
D351,743 S 10/1994 Locher
D353,270 S 12/1994 Locher
D355,081 S 2/1995 Scheper
D355,303 S 2/1995 Scheper et al.
D357,821 S 5/1995 Tedesco
D359,177 S 6/1995 Bartlmae

(Continued)

Primary Examiner — Brian N. Vinson
(74) *Attorney, Agent, or Firm* — McDermott Will & Emery
LLP

(56) **References Cited**

U.S. PATENT DOCUMENTS

D189,293 S 11/1960 Pettitt
D230,788 S 3/1974 Petersen
3,847,433 A 11/1974 Acton et al.
D244,812 S 6/1977 Buhk
D250,559 S 12/1978 Petersen
D262,502 S 1/1982 Wilson
D272,967 S 3/1984 Umanoff
D274,579 S 7/1984 Diffrient
D274,675 S 7/1984 Diffrient
D301,810 S 6/1989 Snodgrass
D305,388 S 1/1990 Mascheroni
D309,382 S 7/1990 Buhk
D309,384 S 7/1990 Buhk
D309,385 S 7/1990 Buhk
D309,386 S 7/1990 Buhk
D310,453 S 9/1990 Snodgrass
D322,363 S 12/1991 Narita
5,114,212 A 5/1992 Verney et al.
D327,988 S 7/1992 Citterio
D331,669 S 12/1992 Citterio
D333,739 S 3/1993 Yeh

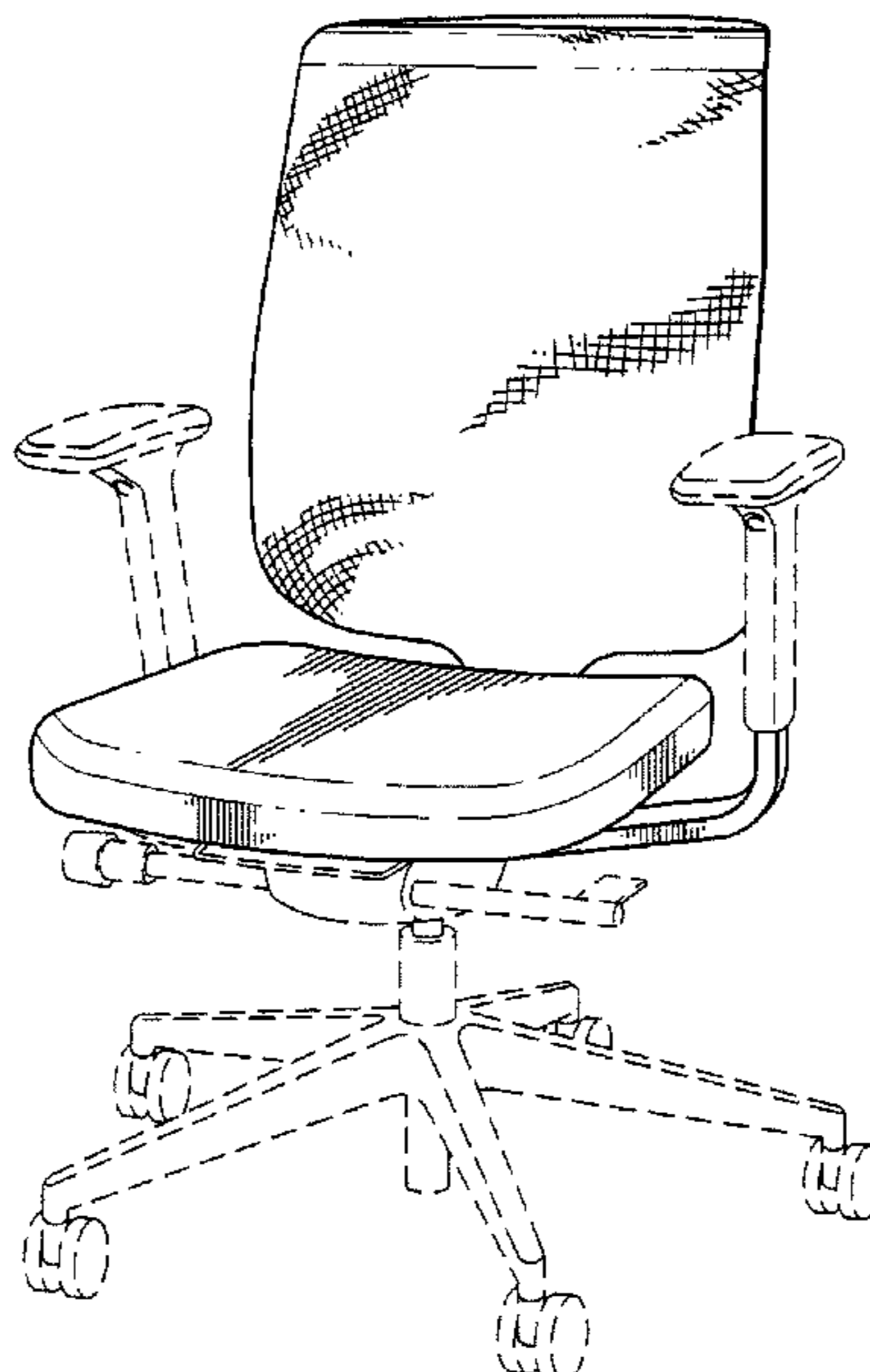
(57) **CLAIM**

I claim the ornamental design for a seating unit, as shown and described.

DESCRIPTION

FIG. 1 is a perspective view of a seating unit according to the new design;
FIG. 2 is a front view of the seating unit shown in FIG. 1;
FIG. 3 is a rear view of the seating unit shown in FIG. 1;
FIG. 4 is a top view of the seating unit shown in FIG. 1;
FIG. 5 is a bottom view of the seating unit shown in FIG. 1;
and,
FIG. 6 is a right side view of the seating unit shown in FIG. 1, the opposed left side view being a minor image thereof.
In the drawings, features in broken lines form no part of the claimed design.

1 Claim, 5 Drawing Sheets



US D646,914 S

U.S. PATENT DOCUMENTS

D360,539 S	7/1995	Cretcher		D515,855 S	*	2/2006	Goodworth	D6/500
D361,675 S	8/1995	Ruy		D516,329 S		3/2006	Baeriswyl	
D383,009 S	9/1997	Piretti		D517,820 S	*	3/2006	Citterio	D6/366
D395,177 S	6/1998	Dammerman et al.		D517,828 S		3/2006	Magnani et al.	
D395,764 S	7/1998	Dozsa-Farkas		D522,266 S		6/2006	Bongaerts	
D397,258 S	* 8/1998	Heyder et al.	D6/366	D526,145 S		8/2006	Kita	
D404,586 S	1/1999	Citterio		D526,146 S		8/2006	Kita	
D409,409 S	5/1999	Muller		D527,931 S		9/2006	Kita	
D411,928 S	7/1999	Ritch et al.		D541,067 S		4/2007	Lin	
D414,953 S	10/1999	Goetz		D543,374 S		5/2007	Huerlimann	
6,030,037 A	2/2000	Ritch et al.		D544,234 S		6/2007	Olano	
D426,970 S	6/2000	Kolberg		D546,089 S		7/2007	Ebenestelli	
6,070,937 A	6/2000	Ginat		D546,594 S	*	7/2007	Kane et al.	D6/500
D435,175 S	12/2000	Chu		D547,963 S		8/2007	Olano	
D441,976 S	5/2001	Cramer		D549,479 S		8/2007	Su	
D445,613 S	* 7/2001	Ginat	D6/500	D550,977 S		9/2007	Igarashi	
D449,461 S	10/2001	Cramer		D551,881 S	*	10/2007	True	D6/500
D449,462 S	10/2001	Muller		D552,856 S		10/2007	Chan	
D449,938 S	11/2001	Vanderiet et al.		D553,377 S		10/2007	Chan	
D455,571 S	4/2002	Van De Riet et al.		D555,924 S		11/2007	Igarashi	
D456,163 S	4/2002	Englisch		D555,928 S		11/2007	Pensi	
D456,164 S	4/2002	Vanderiet et al.		D558,480 S		1/2008	Olano Jauregui	
D457,006 S	5/2002	Ooyama		D563,698 S		3/2008	Petruccelli	
D467,445 S	12/2002	Saffell et al.		D569,644 S		5/2008	Kumazawa	
D471,373 S	3/2003	Starzewski et al.		D572,496 S		7/2008	Rizzi	
D472,745 S	4/2003	Haney et al.		D572,927 S		7/2008	Bernett et al.	
D474,621 S	5/2003	Pesso		D573,378 S		7/2008	Petruccelli	
D475,544 S	6/2003	Chadwick et al.		D575,537 S		8/2008	Petruccelli	
D477,469 S	* 7/2003	Brooks	D6/366	D575,541 S		8/2008	Hayes	
D481,230 S	* 10/2003	Piretti et al.	D6/500	D578,789 S		10/2008	Ciani et al.	
D481,550 S	11/2003	Astle		D579,225 S		10/2008	Citterio	
D482,540 S	11/2003	Ashby		D579,226 S		10/2008	Pinaffo et al.	
D485,084 S	1/2004	Bales		D581,180 S		11/2008	Chi	
D489,911 S	5/2004	Muller		7,452,035 B2		11/2008	Astle et al.	
D498,600 S	11/2004	Koch et al.		D581,689 S		12/2008	Marini	
D498,601 S	11/2004	Olson et al.		D582,693 S		12/2008	da Costa	
D498,940 S	11/2004	Getzel		D585,658 S		2/2009	Dauphin	
D502,331 S	3/2005	Socha, Jr. et al.		D589,276 S		3/2009	Dauphin	
D507,437 S	* 7/2005	Klaasen et al.	D6/500	D590,616 S		4/2009	Benn	
D508,792 S	8/2005	Dorigo		D590,617 S		4/2009	Benn	
D512,238 S	12/2005	Chen		D591,968 S		5/2009	Pinaffo et al.	
D512,574 S	* 12/2005	Tsai	D6/366	D601,372 S	*	10/2009	Kim	D6/502
D512,846 S	12/2005	Goodworth						

* cited by examiner

FIG. 1

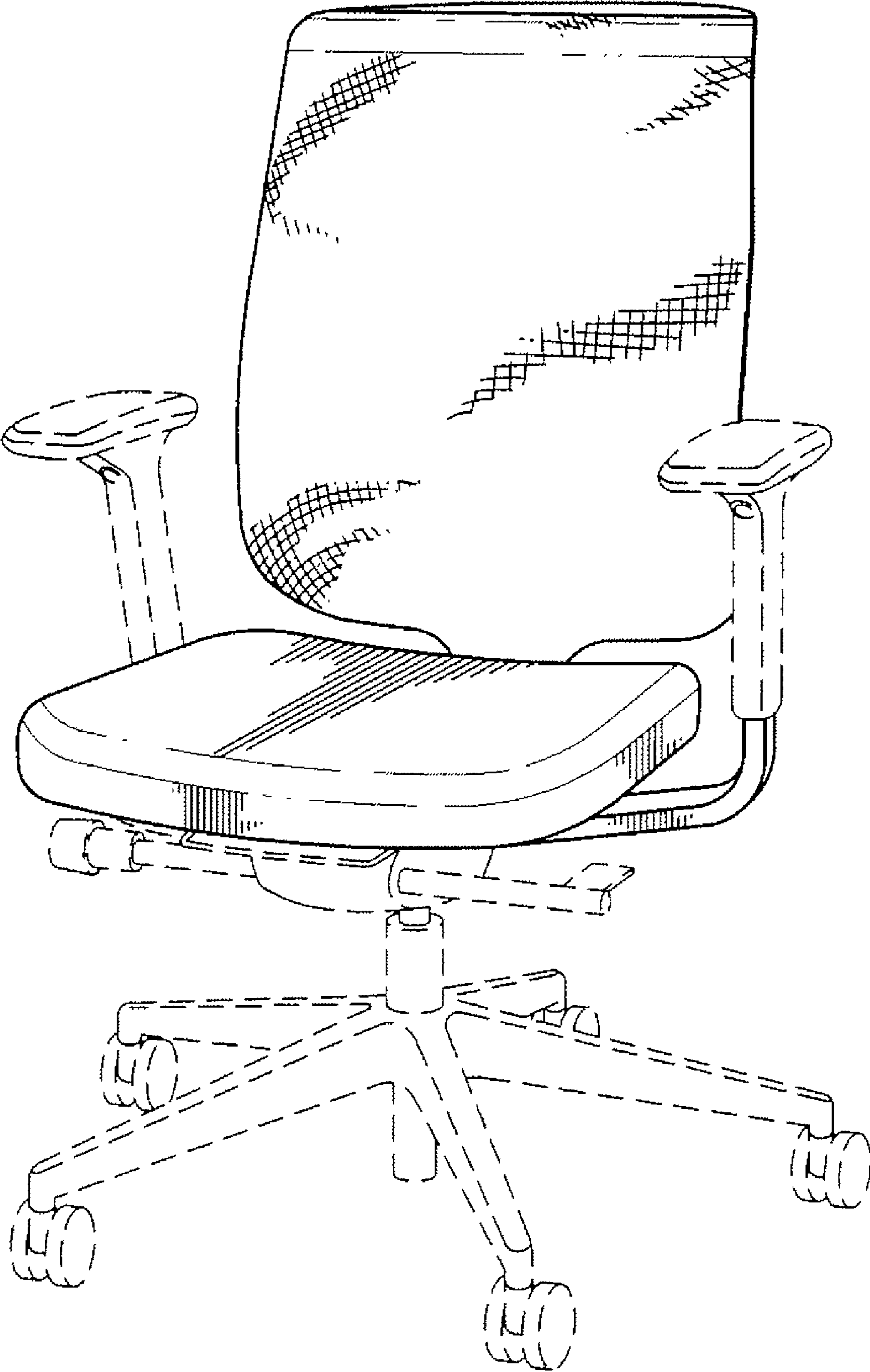


FIG. 2

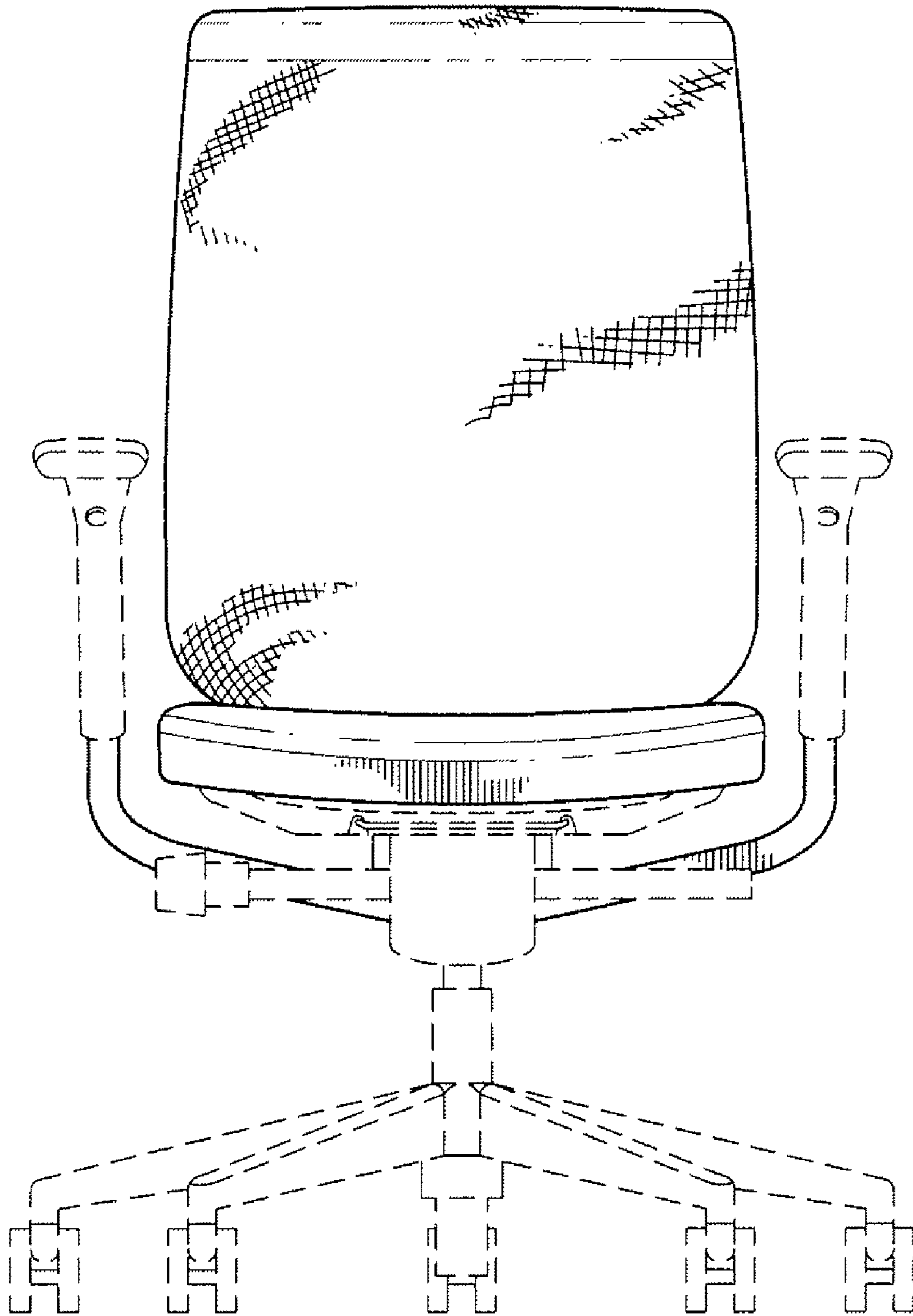
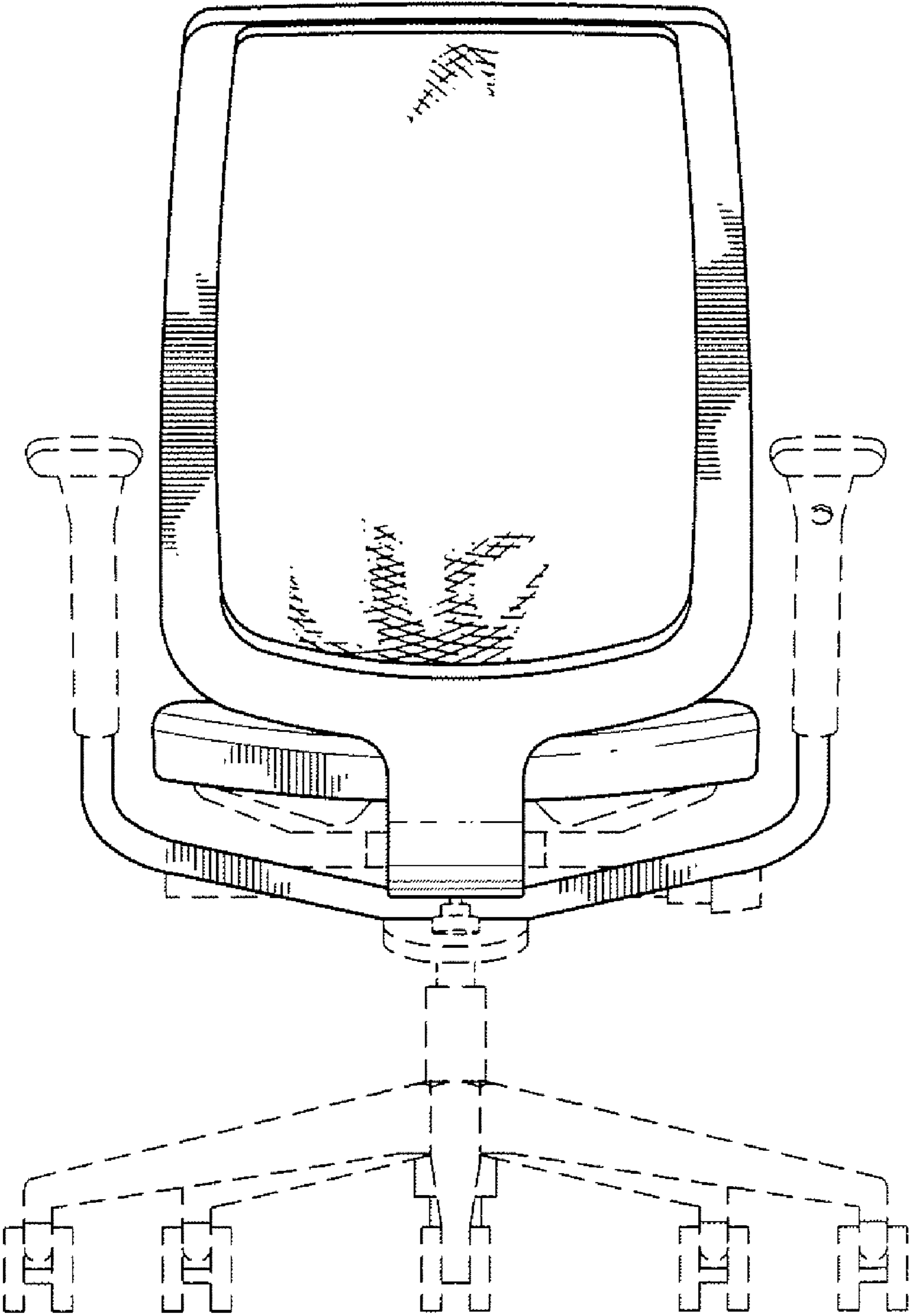


FIG. 3



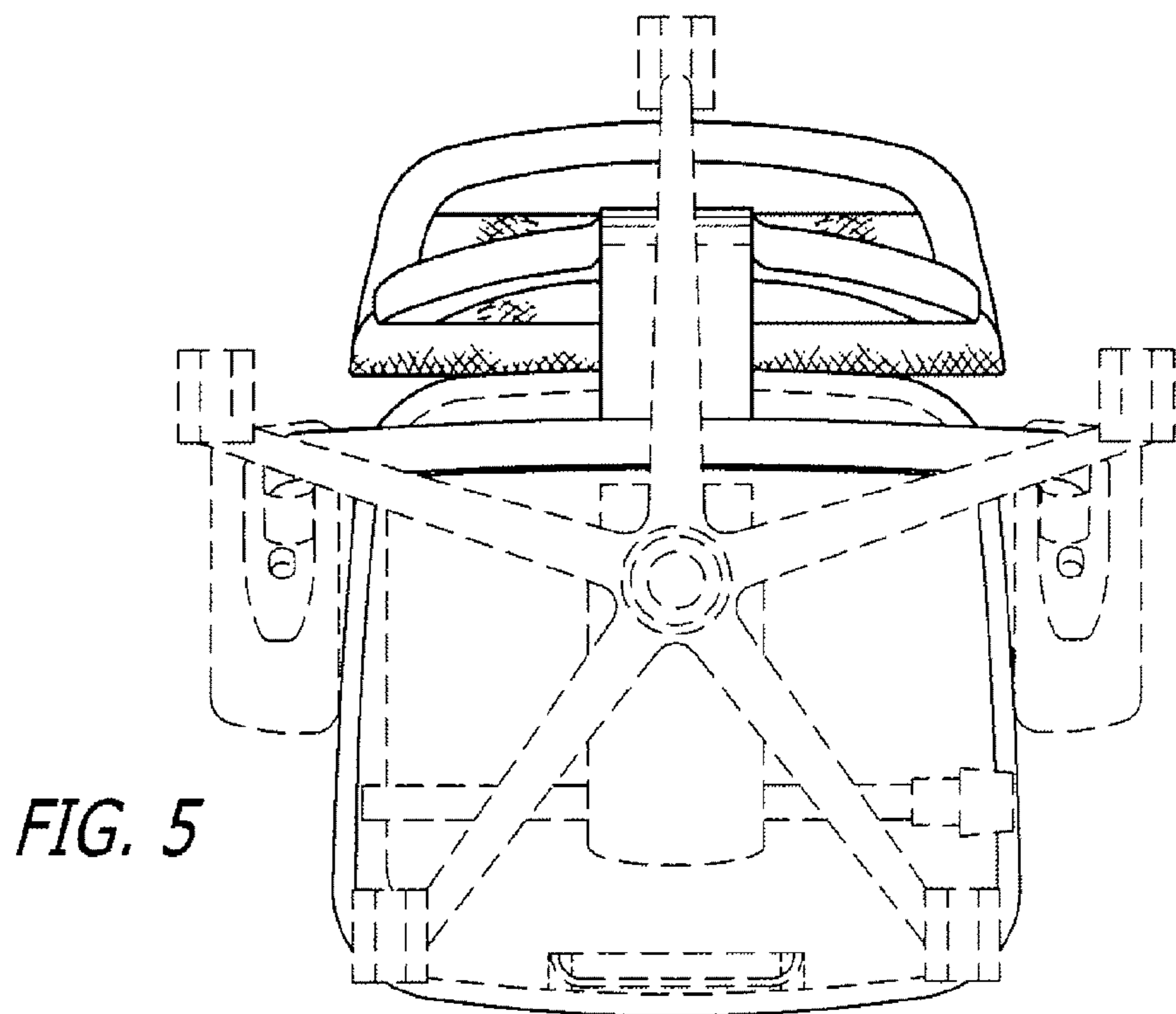
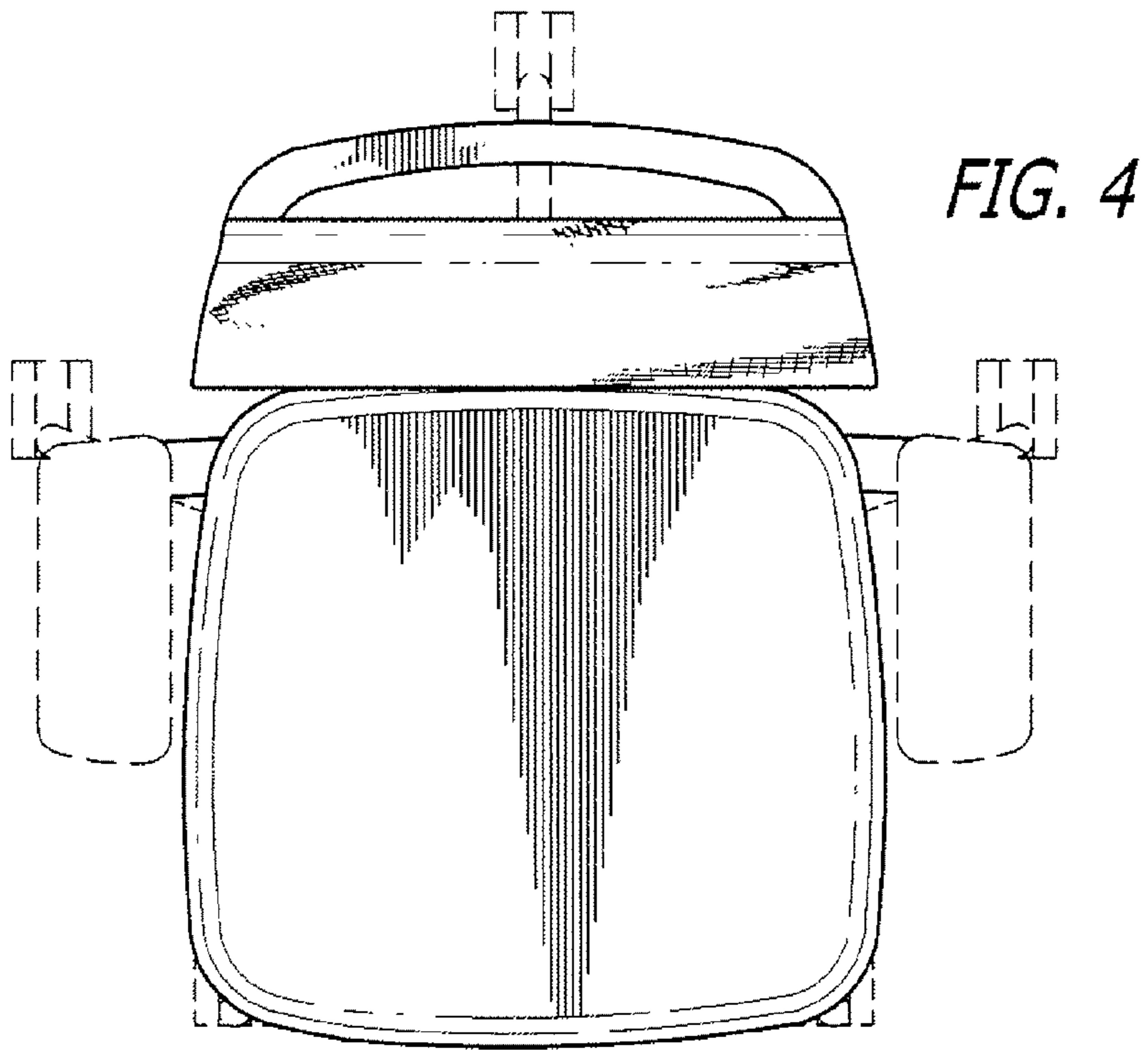


FIG. 6

