

US00D646910S

(12) **United States Design Patent**
Portnoy

(10) **Patent No.:** **US D646,910 S**
(45) **Date of Patent:** **** Oct. 18, 2011**

- (54) **AUDIO VIDEO SHELVING UNIT**
- (75) Inventor: **Benjamin Portnoy**, Morton, PA (US)
- (73) Assignee: **Bell'O International Corp.**,
Morganville, NJ (US)
- (**) Term: **14 Years**
- (21) Appl. No.: **29/389,450**
- (22) Filed: **Apr. 12, 2011**

- D497,061 S 10/2004 Decarolis
- D505,573 S 5/2005 Malizia
- D506,329 S 6/2005 Sexton
- D507,128 S 7/2005 Choo
- D507,433 S 7/2005 Portnoy
- D507,900 S 8/2005 Sexton
- D508,172 S 8/2005 Malizia et al.
- D515,337 S 2/2006 deCarolis
- D515,849 S 2/2006 Niu
- D516,838 S 3/2006 Portnoy
- D516,840 S 3/2006 deCarolis
- D516,847 S 3/2006 Stenhouse et al.
- D519,757 S 5/2006 Portnoy
- D524,080 S 7/2006 Stenhouse et al.

(Continued)

Related U.S. Application Data

- (63) Continuation-in-part of application No. 29/382,374, filed on Jan. 3, 2011.
- (51) **LOC (9) Cl.** **06-06**
- (52) **U.S. Cl.** **D6/474**
- (58) **Field of Classification Search** D6/470,
D6/471, 474, 477-479, 460-461, 468; 108/59,
108/91-92, 96; 211/40, 41.12, 42, 49.1,
211/50, 85.2, 90.04, 187, 190; 206/307
See application file for complete search history.

OTHER PUBLICATIONS

Bell'O 2005/06 Product Catalog.

Primary Examiner — Elizabeth Albert

Assistant Examiner — Kelley Donnelly

(74) *Attorney, Agent, or Firm* — Lerner, David, Littenberg,
Krumholz & Mentlik, LLP

(56) **References Cited**

U.S. PATENT DOCUMENTS

- D454,731 S 3/2002 Niitsu et al.
- D458,053 S 6/2002 Luong
- D459,118 S 6/2002 Antonioni
- D472,073 S 3/2003 de Carolis
- D472,074 S 3/2003 de Carolis
- D472,075 S 3/2003 de Carolis
- D489,548 S 5/2004 Malizia et al.
- D491,748 S 6/2004 deCarolis
- D491,749 S 6/2004 Malizia et al.
- D491,750 S 6/2004 Bertoncini et al.
- D491,753 S 6/2004 deCarolis
- D492,860 S 7/2004 Bertoncini et al.
- D493,982 S 8/2004 deCarolis
- D496,807 S 10/2004 deCarolis
- D497,060 S 10/2004 Chang et al.

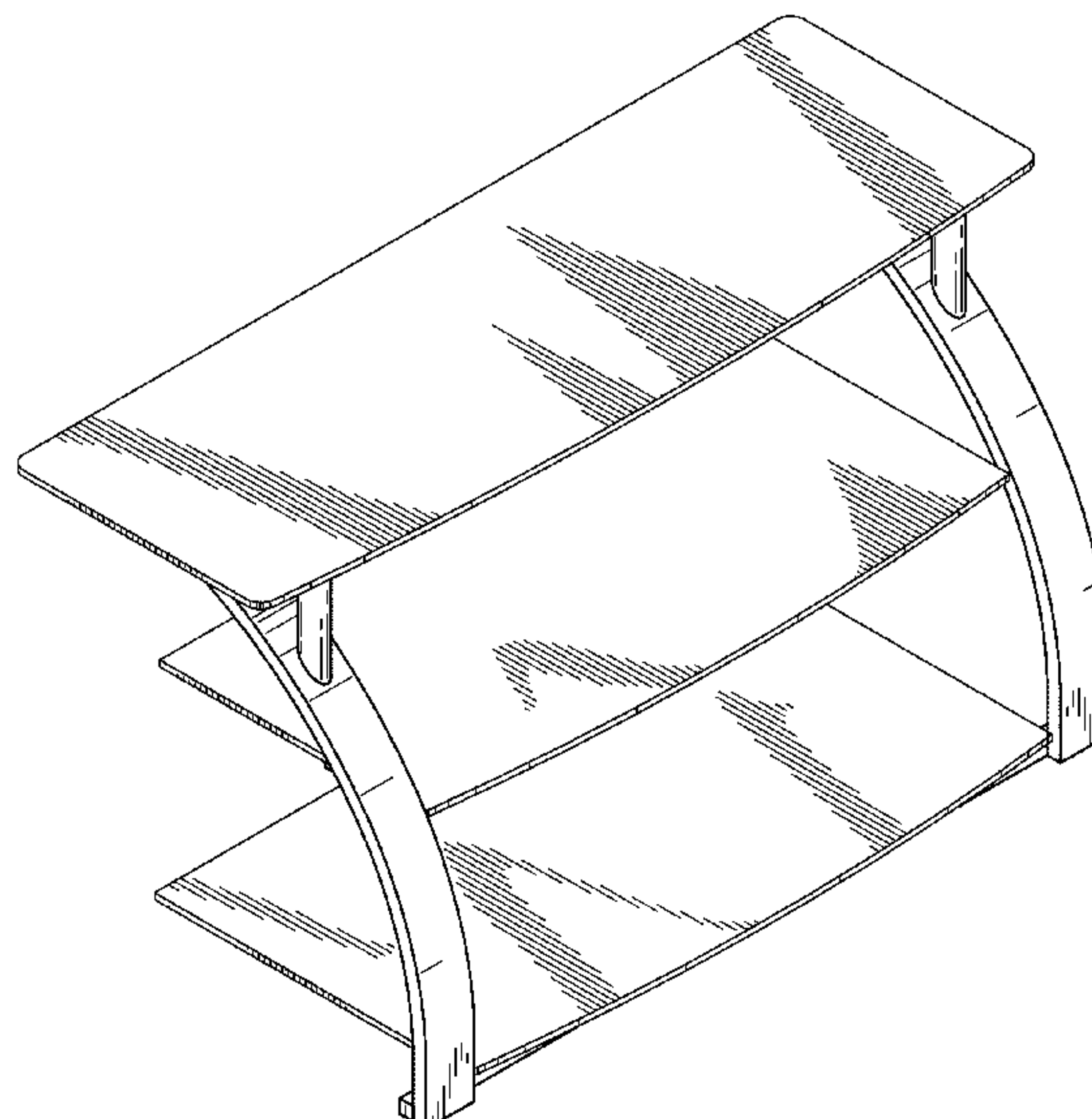
(57) **CLAIM**

The ornamental design for audio video shelving unit, as shown and described.

DESCRIPTION

FIG. 1 is a front perspective view of the subject audio video shelving unit;
 FIG. 2 is a front view thereof;
 FIG. 3 is a rear view thereof;
 FIG. 4 is a right side view thereof (the left side view is a mirror image of the right side view); and,
 FIG. 5 is a top plan view thereof.
 The broken lines showing in FIGS. 2 and 3 are included for the purpose of illustrating environment and form no part of the claimed design.

1 Claim, 5 Drawing Sheets



US D646,910 S

Page 2

U.S. PATENT DOCUMENTS

D524,578 S	7/2006	Stenhouse et al.	
D525,052 S	7/2006	Malizia et al.	
D525,054 S	7/2006	Stenhouse et al.	
D527,208 S	8/2006	Malizia et al.	
D529,317 S	* 10/2006	Takatsuki et al.	D6/479
D535,497 S	1/2007	Portnoy	
D537,656 S	3/2007	Stenhouse et al.	
D539,057 S	* 3/2007	Senda et al.	D6/477
D540,067 S	4/2007	Chung	
D542,059 S	5/2007	Moyle et al.	
D543,729 S	6/2007	Weatherly	
D549,991 S	9/2007	Stravitz	
D554,393 S	11/2007	Yalif	
D555,397 S	11/2007	Yalif	
D559,583 S	1/2008	Zambelli	
D559,584 S	1/2008	Zambelli	
D560,077 S	1/2008	Zambelli	
D560,401 S	1/2008	Hoglan et al.	
D562,593 S	2/2008	Zambelli	
D563,695 S	3/2008	Yamaguchi	
D564,260 S	3/2008	deCarolis	
D564,261 S	3/2008	Sculler	
D564,789 S	3/2008	deCarolis	
D564,796 S	3/2008	Zambelli	
D564,797 S	3/2008	Yamaguchi	
D572,944 S	7/2008	Sexton	
D587,483 S	3/2009	Zambelli	
D587,496 S	3/2009	Weitz	
D587,497 S	3/2009	Zambelli	
D589,280 S	3/2009	Zambelli	
D590,636 S	4/2009	Ou Yang et al.	
D590,637 S	4/2009	Portnoy	
D592,428 S	5/2009	Zambelli	
D594,248 S	6/2009	Zambelli	
D595,978 S	7/2009	Portnoy et al.	
D599,584 S	9/2009	Zambelli	
D604,251 S	11/2009	Hwang	
D605,874 S	12/2009	Zambelli	
D607,671 S	1/2010	Sexton	
D609,942 S	2/2010	Sexton	
D610,836 S	3/2010	Kohler	
D619,828 S	* 7/2010	Connor et al.	D6/477
D630,870 S	1/2011	Sexton	
D630,871 S	* 1/2011	Sexton	D6/477
D631,265 S	1/2011	Sexton	
D639,089 S	* 6/2011	Sexton	D6/477

* cited by examiner

FIG. 1

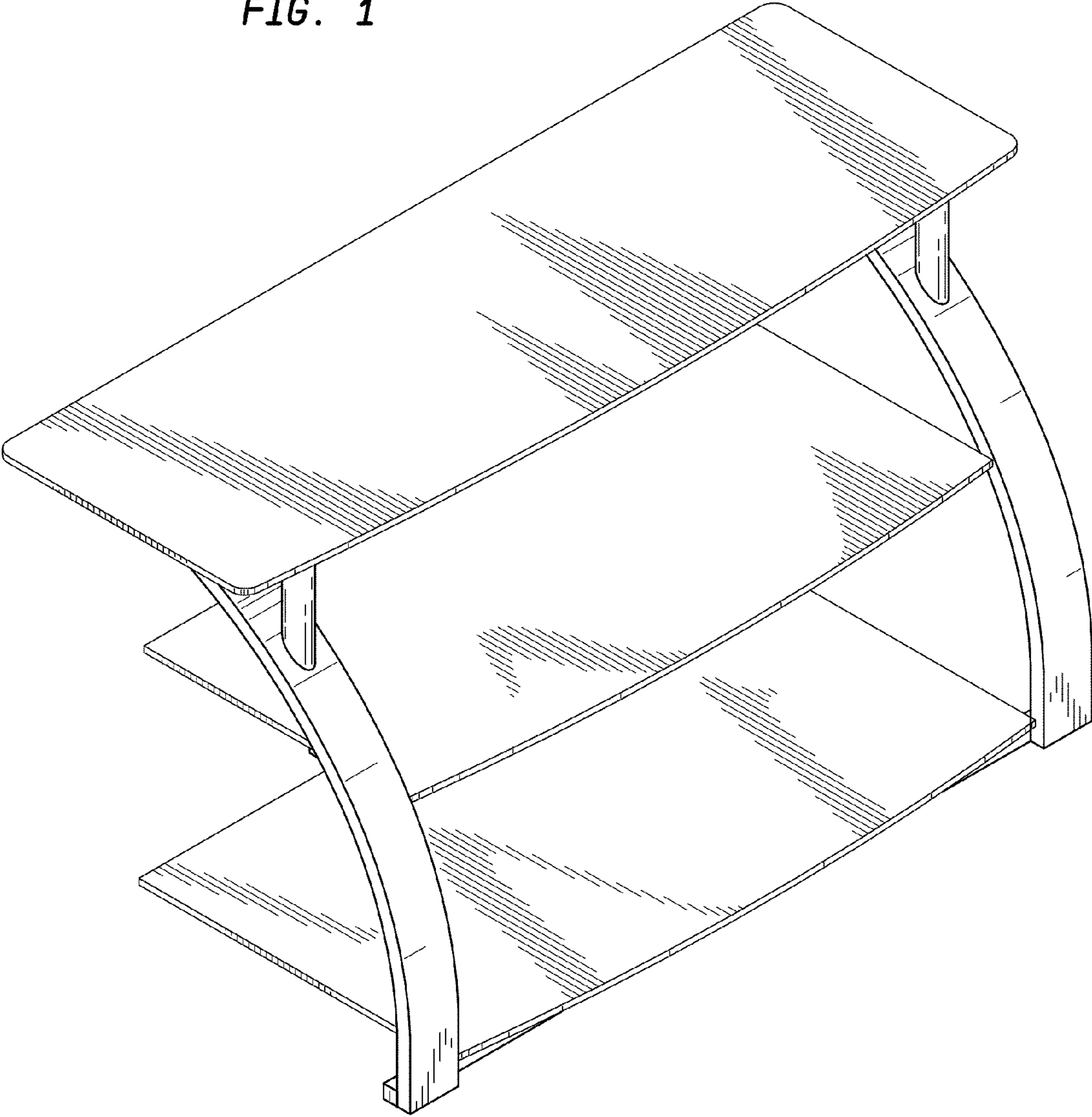


FIG. 2

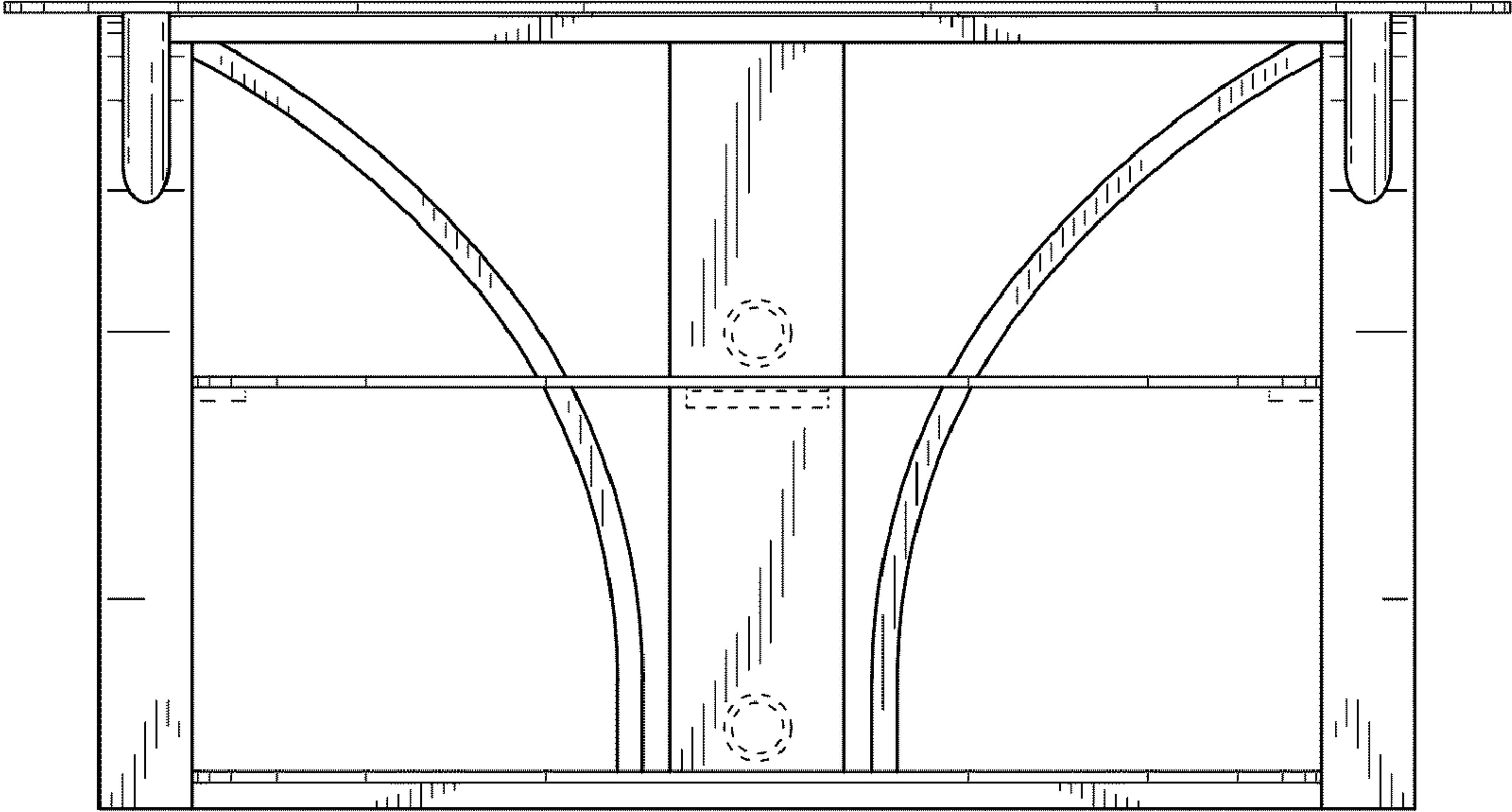


FIG. 3

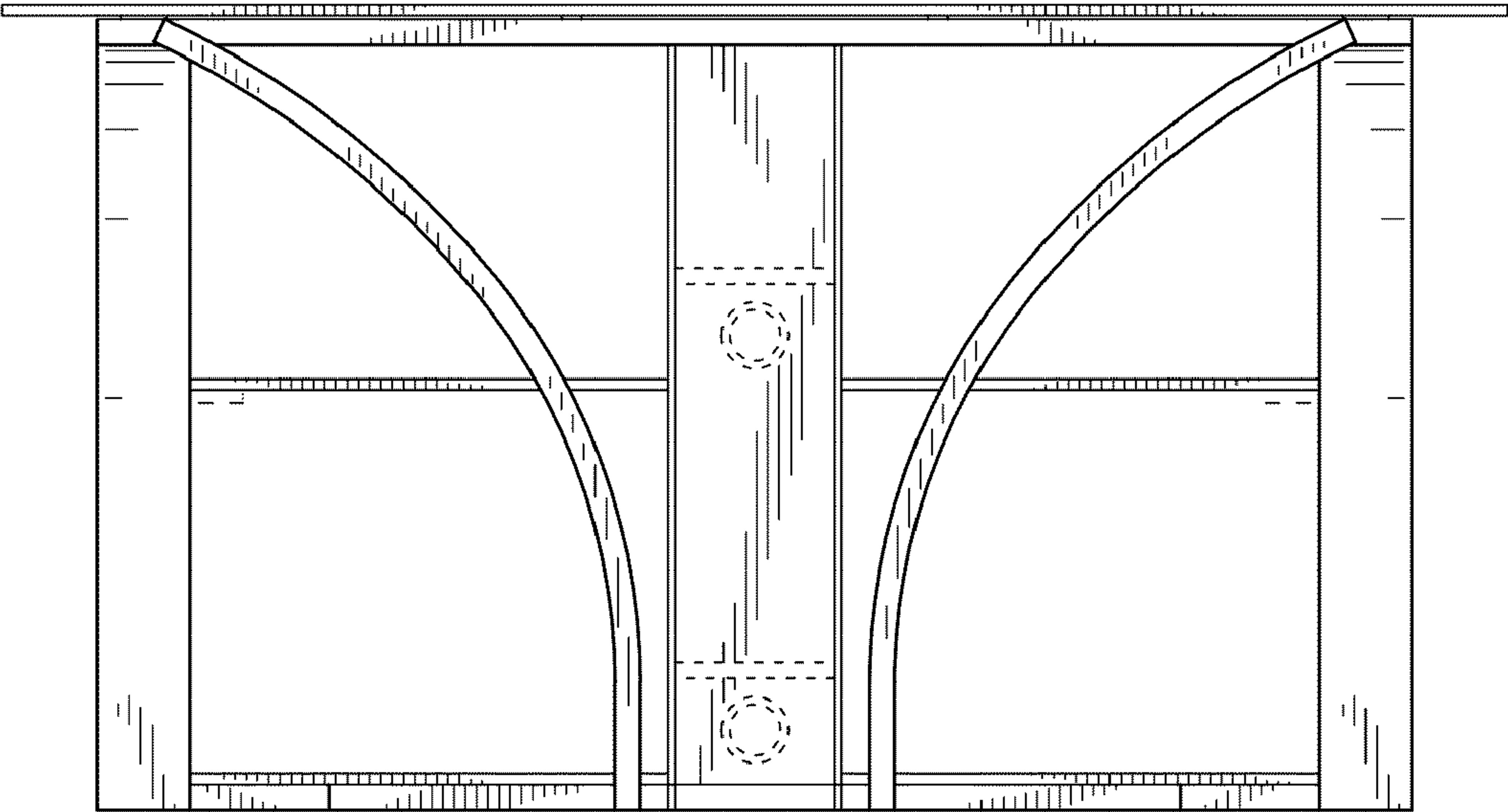


FIG. 4

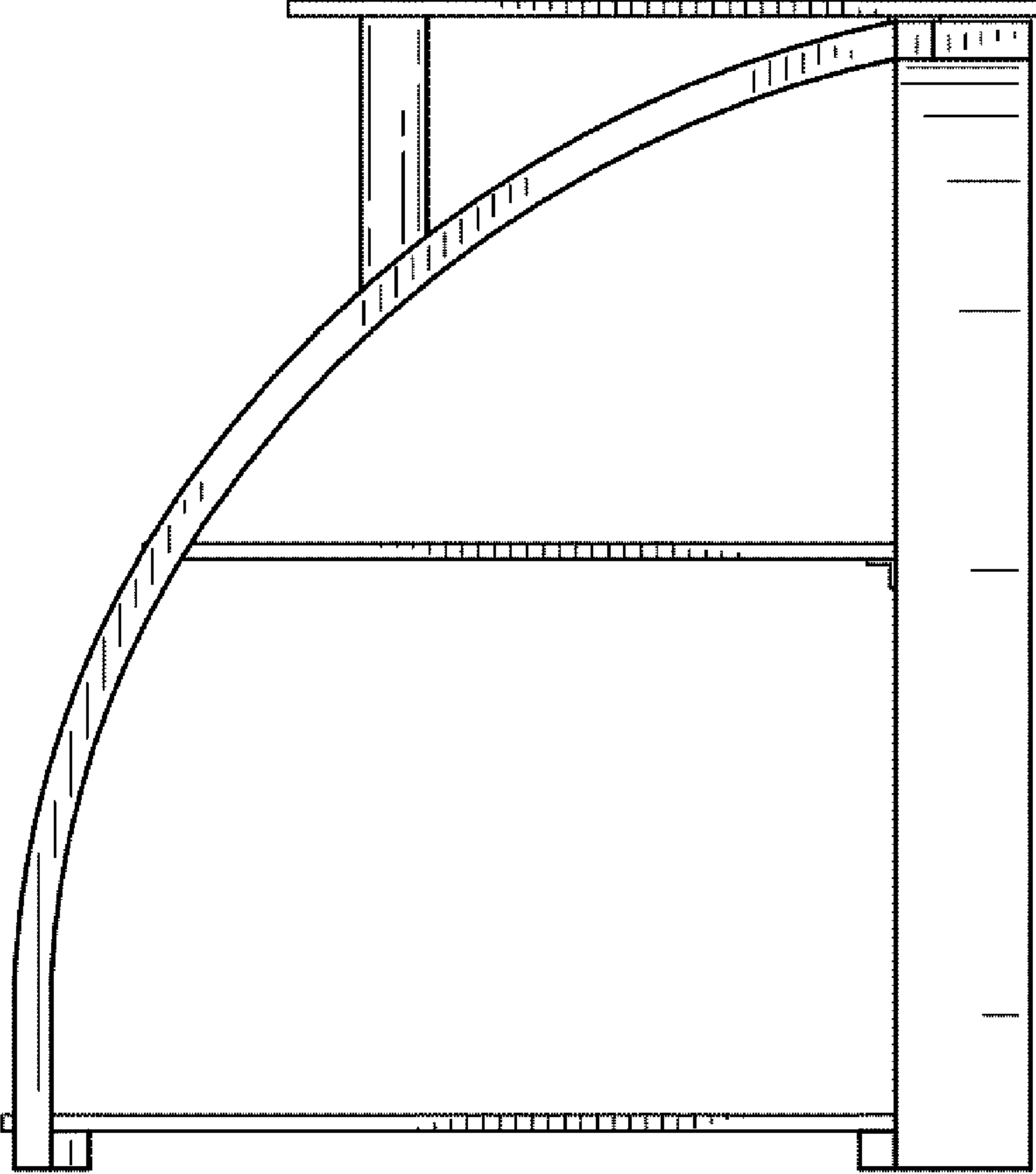


FIG. 5

