



US00D646909S

(12) **United States Design Patent**  
**Domack et al.**

(10) **Patent No.:** **US D646,909 S**

(45) **Date of Patent:** **\*\* \*Oct. 18, 2011**

- (54) **BED**
- (75) Inventors: **Randy D. Domack**, Holmen, WI (US);  
**Terry A. Everson**, Blair, WI (US);  
**Craig C. Bacon**, Trempealeau, WI (US)

D449,178 S 10/2001 Wanek et al.  
D458,472 S 6/2002 Risdon  
D459,105 S \* 6/2002 Stanton ..... D6/393

(Continued)

- (73) Assignee: **Ashley Furniture Industries, Inc.**,  
Arcadia, WI (US)

**OTHER PUBLICATIONS**

Bernhardt—Normandie Bed (2010 or earlier), 1 page.

(Continued)

- (\*\*) Term: **14 Years**

*Primary Examiner* — Janice Seeger

- (21) Appl. No.: **29/384,309**

(74) *Attorney, Agent, or Firm* — Patterson Thunte  
Christensen Pedersen P.A.

- (22) Filed: **Jan. 28, 2011**

- (51) **LOC (9) Cl.** ..... **06-02**

(57) **CLAIM**

- (52) **U.S. Cl.** ..... **D6/393**

We claim the ornamental design for a bed, as shown and described.

- (58) **Field of Classification Search** ..... D6/382,  
D6/383, 388, 393–395, 505–508, 503; 5/53.1,  
5/907, 279.1, 280, 281

**DESCRIPTION**

See application file for complete search history.

FIG. 1 is a front perspective view of a bed according to the invention. The view from the adjacent front corner being a mirror image thereto.

(56) **References Cited**

**U.S. PATENT DOCUMENTS**

- D340,147 S 10/1993 Black
- D342,394 S \* 12/1993 Black ..... D6/393
- D353,954 S 1/1995 Bowman
- D368,178 S 3/1996 Walters, III et al.
- D376,283 S 12/1996 James
- D387,919 S 12/1997 Keller et al.
- D390,389 S 2/1998 Walters, III et al.
- D394,167 S 5/1998 Estapé et al.
- D400,377 S 11/1998 Hazen et al.
- D400,378 S 11/1998 Hazen et al.
- D400,379 S 11/1998 Hazen et al.
- D404,217 S 1/1999 Zaidman et al.
- D405,973 S 2/1999 Estapé et al.
- D405,974 S \* 2/1999 Estapé et al. .... D6/393
- D405,975 S 2/1999 Keller et al.
- D441,980 S 5/2001 McDaniel et al.
- D443,334 S 6/2001 Duncan
- D443,432 S 6/2001 Vaaler
- D443,433 S \* 6/2001 McDaniel et al. .... D6/393
- D443,445 S 6/2001 O'Hare et al.
- D443,446 S 6/2001 O'Hare et al.

FIG. 2 is an elevational view of a the headboard of the bed according to the invention.

FIG. 3 is a side elevational view of the headboard of the bed according to the invention. The view from the opposite side being a mirror image thereto.

FIG. 4 is a plan view of a bed according to the invention.

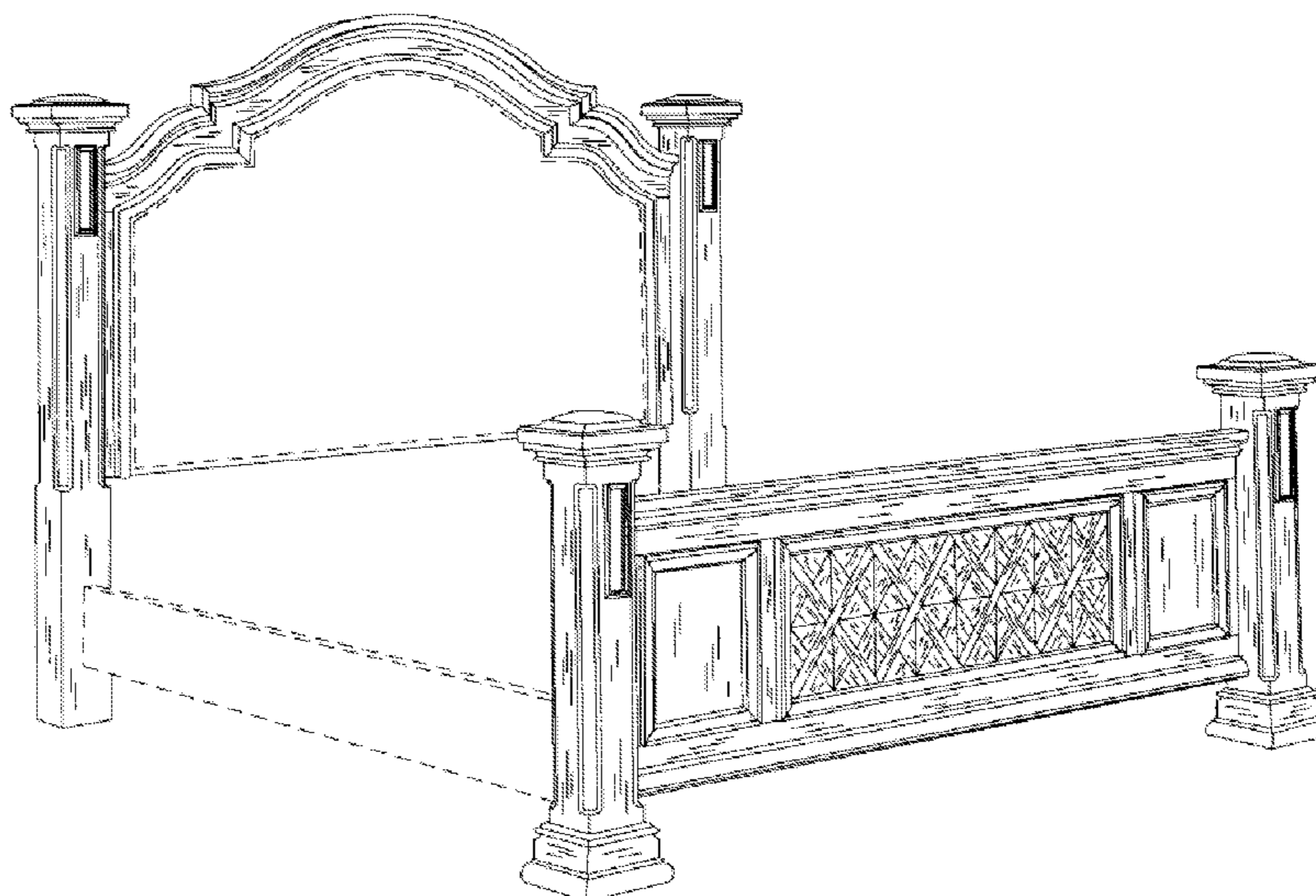
FIG. 5 is a front elevational view of the footboard of a bed according to the invention; and,

FIG. 6 is a side elevational view of a footboard of a bed according to the invention.

The headboard and footboard are shown separately for clarity of disclosure.

The view from the opposite side being a mirror image thereto. The broken lines on the bed in the figures are for illustrative purposes only and form no part of the claimed invention. The backside of the footboard and the headboard of the bed are not shown and form no part of the claimed invention.

**1 Claim, 4 Drawing Sheets**



# US D646,909 S

Page 2

## U.S. PATENT DOCUMENTS

D459,608 S 7/2002 O'Hare et al.  
D460,288 S 7/2002 Vaaler  
D469,285 S 1/2003 Stanton  
D474,917 S 5/2003 Risdon  
D475,862 S 6/2003 McDaniel et al.  
D481,219 S 10/2003 Paus  
D487,199 S 3/2004 Schmitt  
D487,363 S 3/2004 Schmitt  
D492,501 S 7/2004 Domack  
D492,502 S 7/2004 Domack  
D492,855 S 7/2004 Wanek et al.  
D494,773 S 8/2004 Domack  
D499,271 S 12/2004 Wanek et al.  
D505,035 S 5/2005 Mohundro  
D507,714 S 7/2005 Mohundro  
D508,178 S 8/2005 Mohundro  
D509,976 S 9/2005 Mohundro  
D509,977 S 9/2005 Mohundro  
D510,828 S \* 10/2005 Mohundro ..... D6/505  
D511,428 S 11/2005 Mohundro  
D514,351 S 2/2006 Berry et al.  
D518,659 S 4/2006 Domack et al.  
D518,660 S 4/2006 Domack et al.  
D518,973 S 4/2006 Domack et al.  
D519,297 S 4/2006 Wanek et al.  
D526,508 S 8/2006 Mohundro  
D527,925 S 9/2006 Domack et al.  
D528,331 S 9/2006 Mohundro  
D535,507 S 1/2007 Schmitt  
D536,558 S 2/2007 Schmitt  
D536,914 S 2/2007 Schmitt  
D543,050 S 5/2007 Mohundro  
D547,969 S 8/2007 Domack et al.  
D548,481 S 8/2007 Domack et al.

D552,372 S 10/2007 Domack et al.  
D552,874 S 10/2007 Everson et al.  
D554,388 S 11/2007 Leigh  
D554,883 S 11/2007 Voorhees  
D560,385 S 1/2008 Domack et al.  
D560,386 S 1/2008 Janke et al.  
D560,923 S 2/2008 Janke et al.  
D564,778 S 3/2008 Juneau  
D565,864 S 4/2008 Domack et al.  
D567,552 S 4/2008 Domack et al.  
D568,076 S 5/2008 Schmitt  
D585,659 S 2/2009 Domack et al.  
D585,660 S 2/2009 Domack et al.  
D589,717 S \* 4/2009 Domack et al. .... D6/393  
D611,724 S 3/2010 Everson

## OTHER PUBLICATIONS

Ashley Furniture, "Caraway Landing" B620, (2010 or earlier), 1 page.  
Ashley Furniture, "Bellissimo" B606, (2010 or earlier), 1 page.  
Ashley Furniture, "Drake" B404, (2010 or earlier), 1 page.  
Ashley Furniture, "Sunset Grove" B400, (2010 or earlier), 1 page.  
Ashley Furniture, B388, (2010 or earlier), 1 page.  
Ashley Furniture, B378, (2010 or earlier), 1 page.  
Ashley Furniture, "Catarina" B375, (2010 or earlier), 1 page.  
Ashley Furniture, B361, (2010 or earlier), 1 page.  
Ashley Furniture, "Westbrook Clearing" B330, (2010 or earlier), 1 page.  
Ashley Furniture, "Auburn Ridge" B275, (2010 or earlier), 1 page.  
Ashley Furniture, "Auburn Acres" B167, (2010 or earlier), 1 page.  
Ashley Furniture, B66, (2010 or earlier), 1 page.  
Ashley Furniture, B62, (2010 or earlier), 1 page.

\* cited by examiner

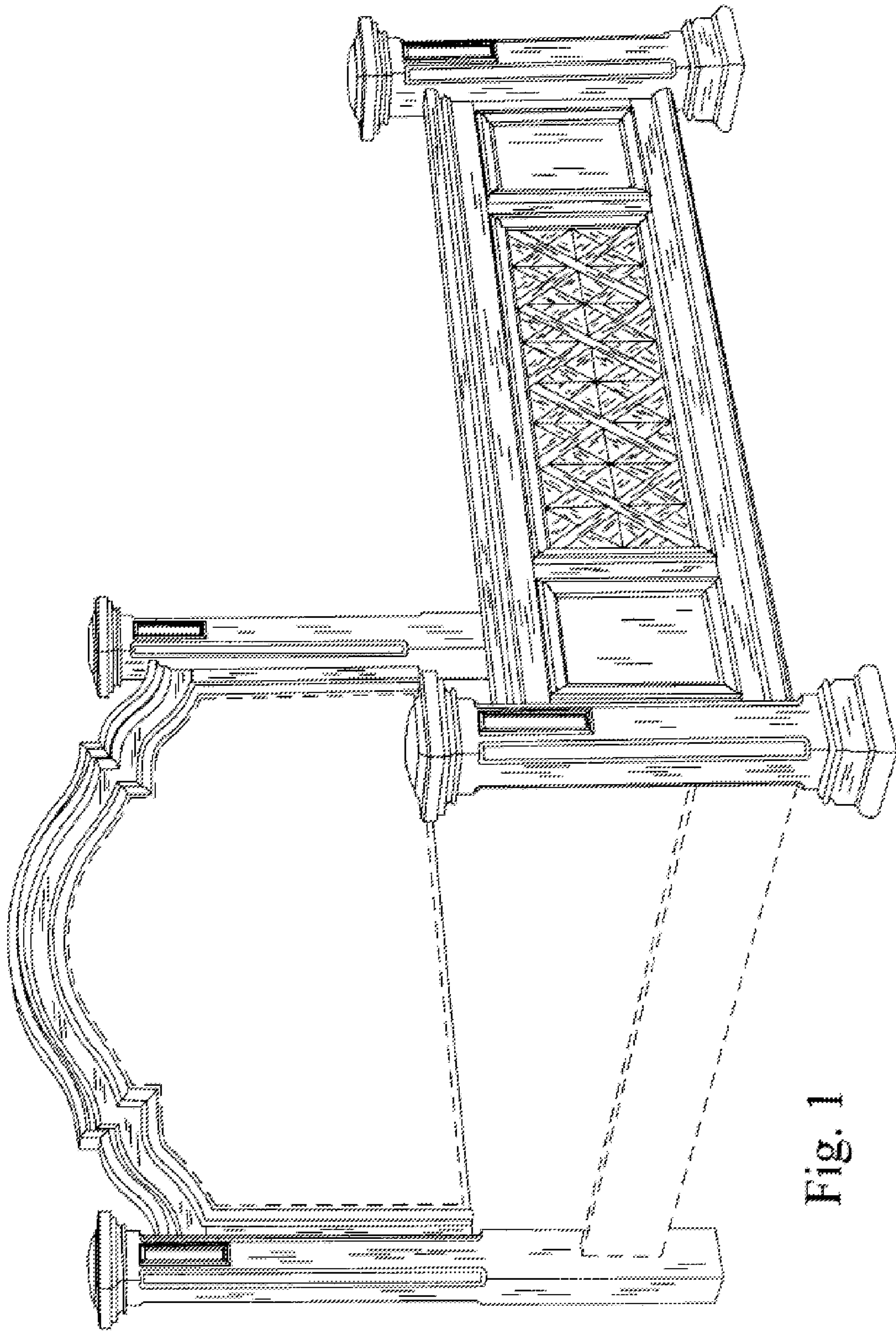


Fig. 1

Fig. 3

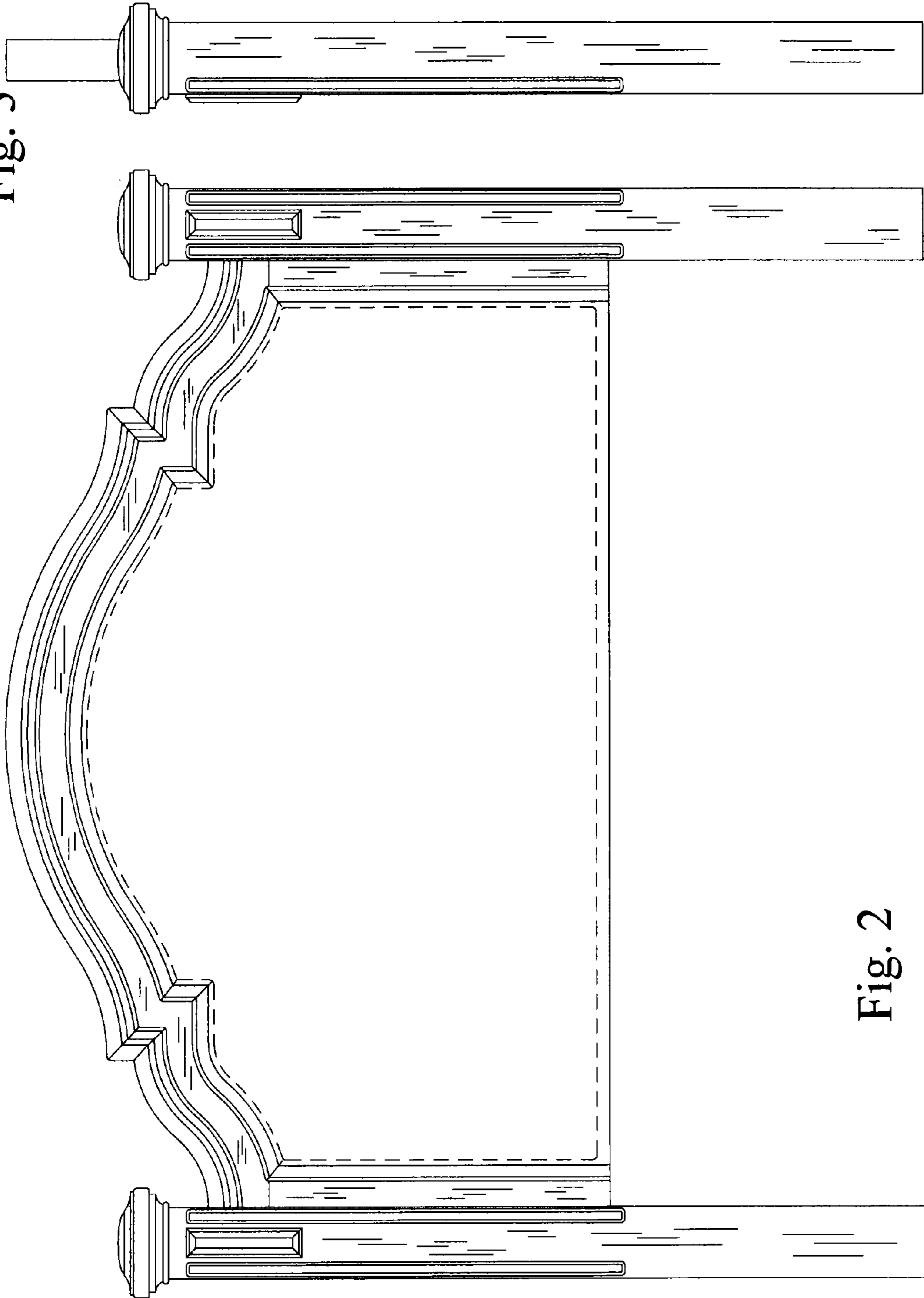


Fig. 2

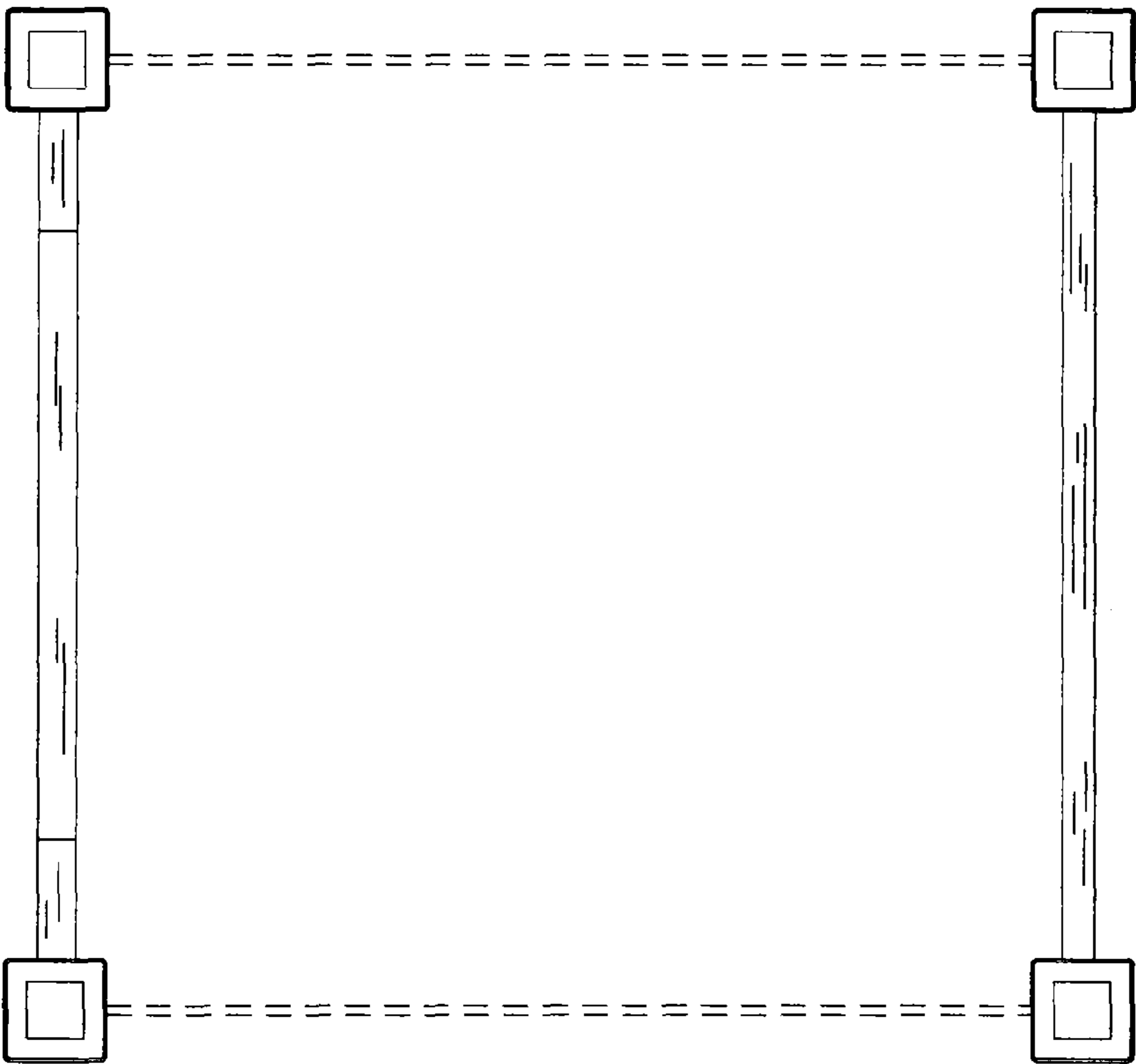


Fig. 4

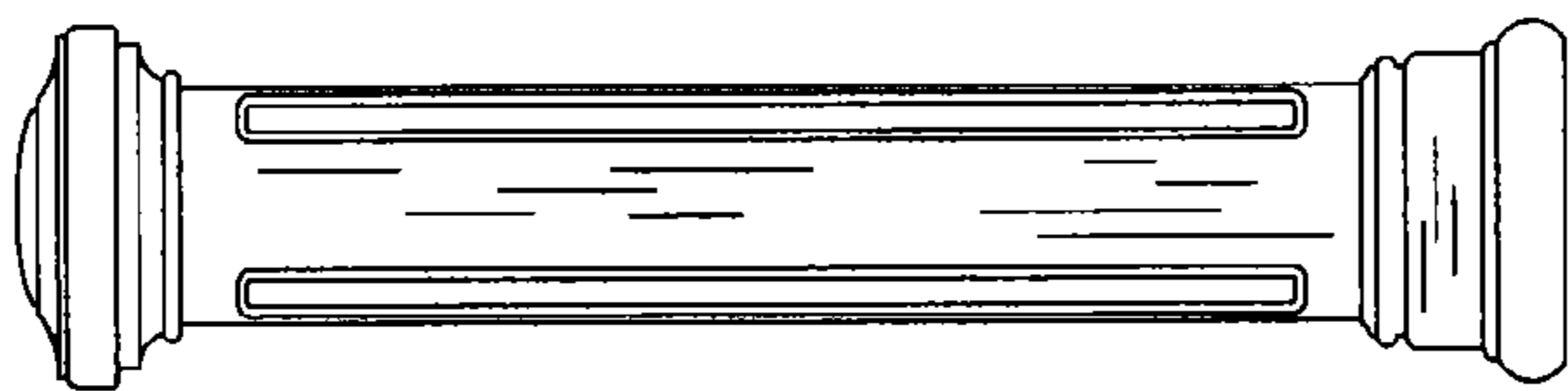


Fig. 6

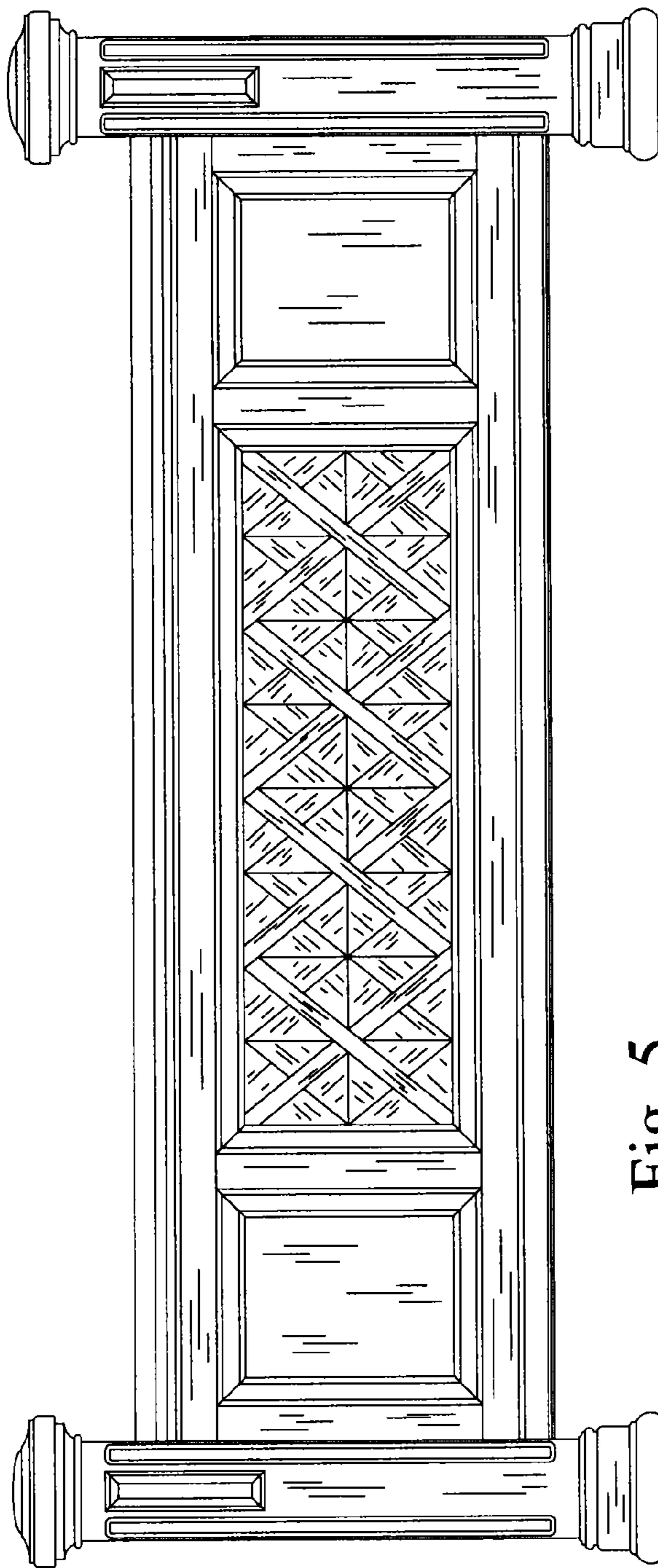


Fig. 5