



US00D646907S

(12) **United States Design Patent**  
**Joly**

(10) **Patent No.:** **US D646,907 S**

(45) **Date of Patent:** **\*\* Oct. 18, 2011**

(54) **TUBULAR CORNER SEAT**

D336,172 S \* 6/1993 Gibson ..... D6/378  
D577,925 S \* 10/2008 Gomez ..... D6/378  
D627,576 S \* 11/2010 Joly ..... D6/378

(75) Inventor: **Sylvain Joly**, Marolles En Brie (FR)

\* cited by examiner

(73) Assignee: **Chateau d'Ax S.p.A.** (IT)

*Primary Examiner* — Mimosia De

(\*\*) Term: **14 Years**

(74) *Attorney, Agent, or Firm* — Curtis Mallet-Prevest, Colt & Mosle, LLP

(21) Appl. No.: **29/377,316**

(57) **CLAIM**

(22) Filed: **Oct. 20, 2010**

The ornamental design for the tubular corner seat, as shown and described.

(51) **LOC (9) Cl.** ..... **06-01**

(52) **U.S. Cl.** ..... **D6/378**

(58) **Field of Classification Search** ..... D6/334-336,  
D6/361, 364, 371, 373, 374, 375, 377, 378,  
D6/381, 500-502; 297/232, 233, 445.1,  
297/446.1, 448.2, 451.8, 452.17, 452.19

**DESCRIPTION**

See application file for complete search history.

FIG. 1 is a perspective view of the new ornamental tubular corner seat of the present invention.

FIG. 2 is a front view thereof.

FIG. 3 is a rear view thereof.

FIG. 4 is a left view thereof.

FIG. 5 is a right view thereof.

FIG. 6 is a top view thereof; and,

FIG. 7 is a bottom view thereof.

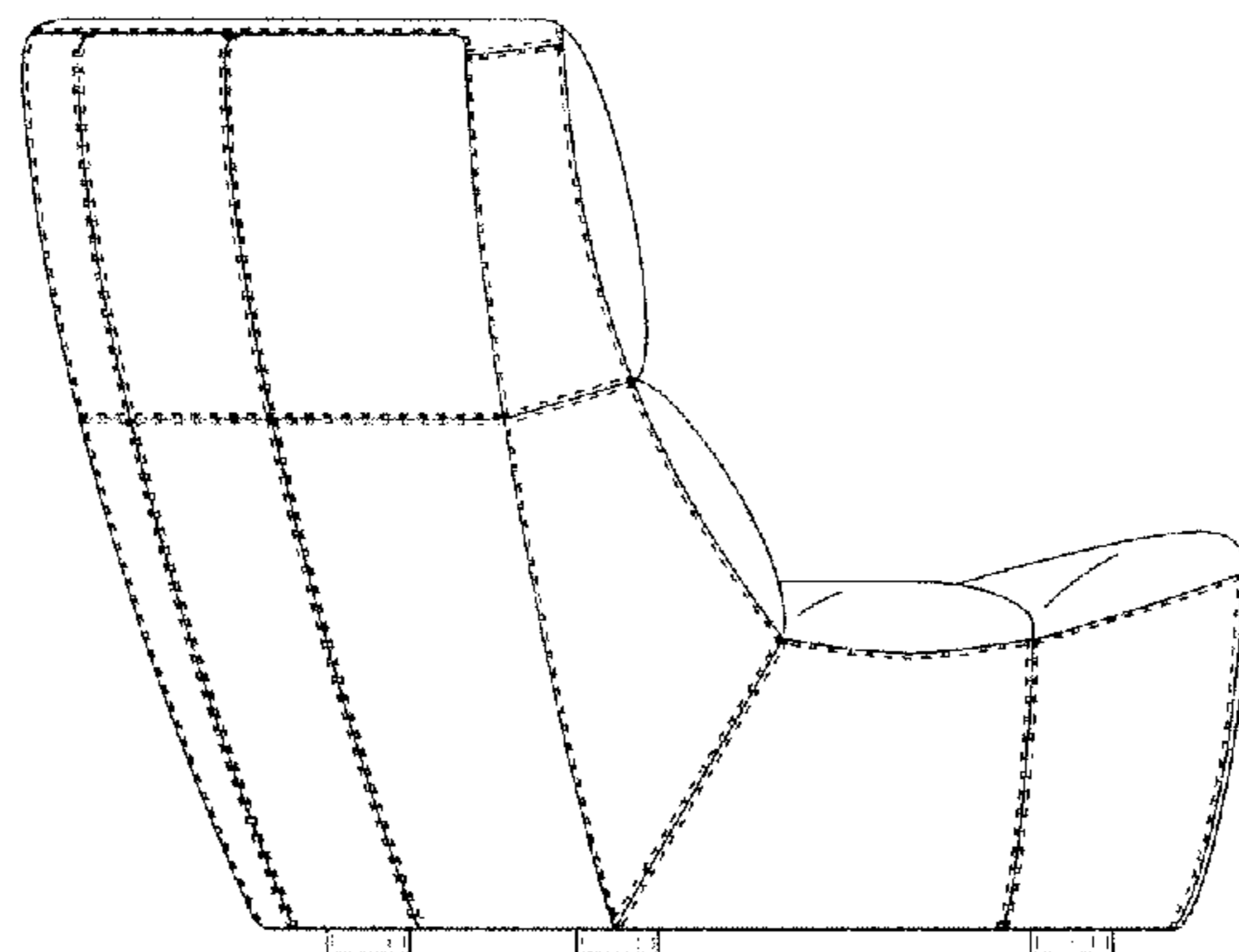
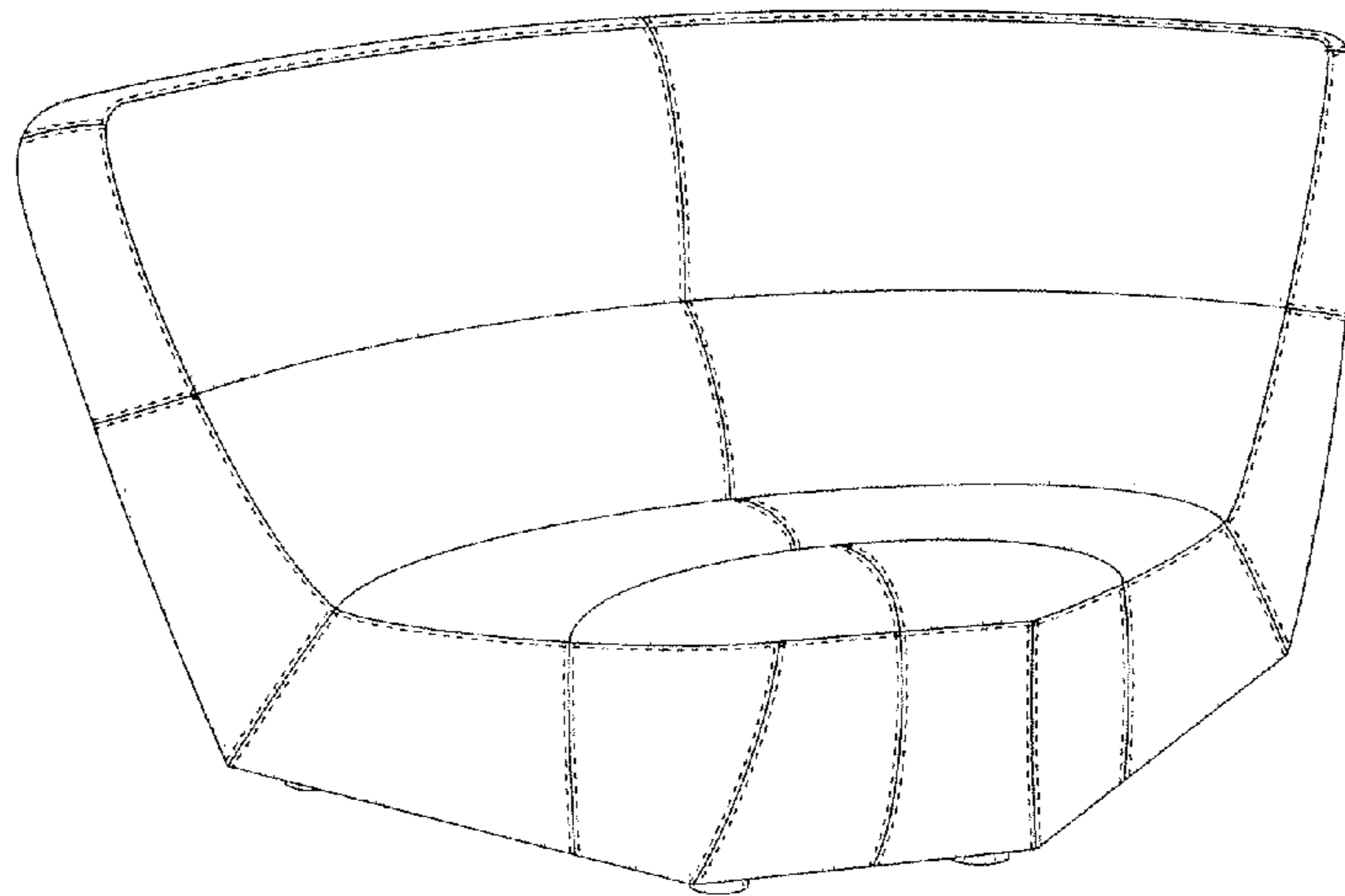
The short dashed lines shown on the backrest and seat cushion are understood to represent stitching.

(56) **References Cited**

**U.S. PATENT DOCUMENTS**

D130,795 S \* 12/1941 Eppenstein ..... D6/364  
D247,009 S \* 1/1978 Schoblom et al. .... D6/378  
D262,421 S \* 12/1981 Aronowitz et al. .... D6/364  
D311,283 S \* 10/1990 Warren ..... D6/378

**1 Claim, 7 Drawing Sheets**



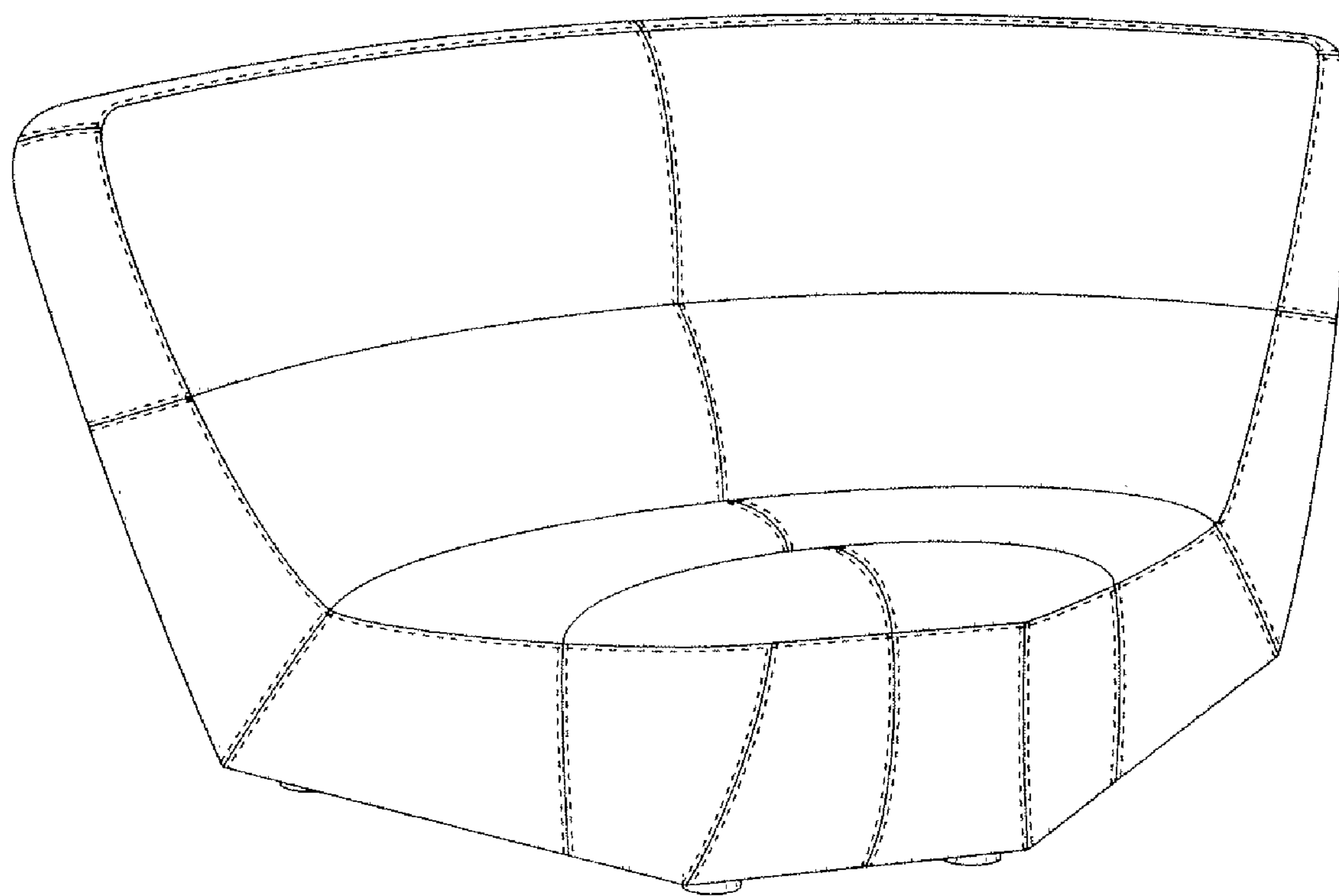


FIG. 1

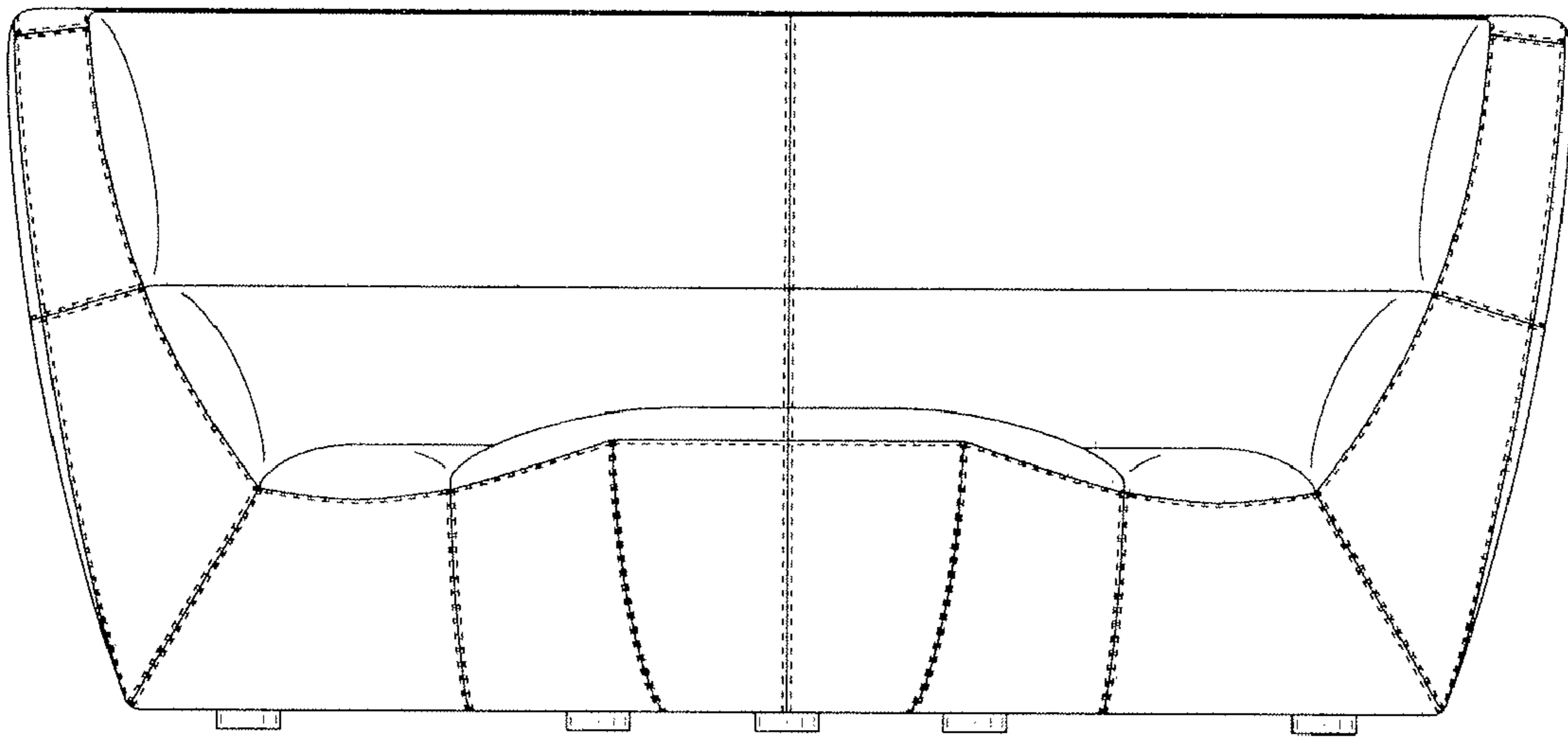


FIG. 2

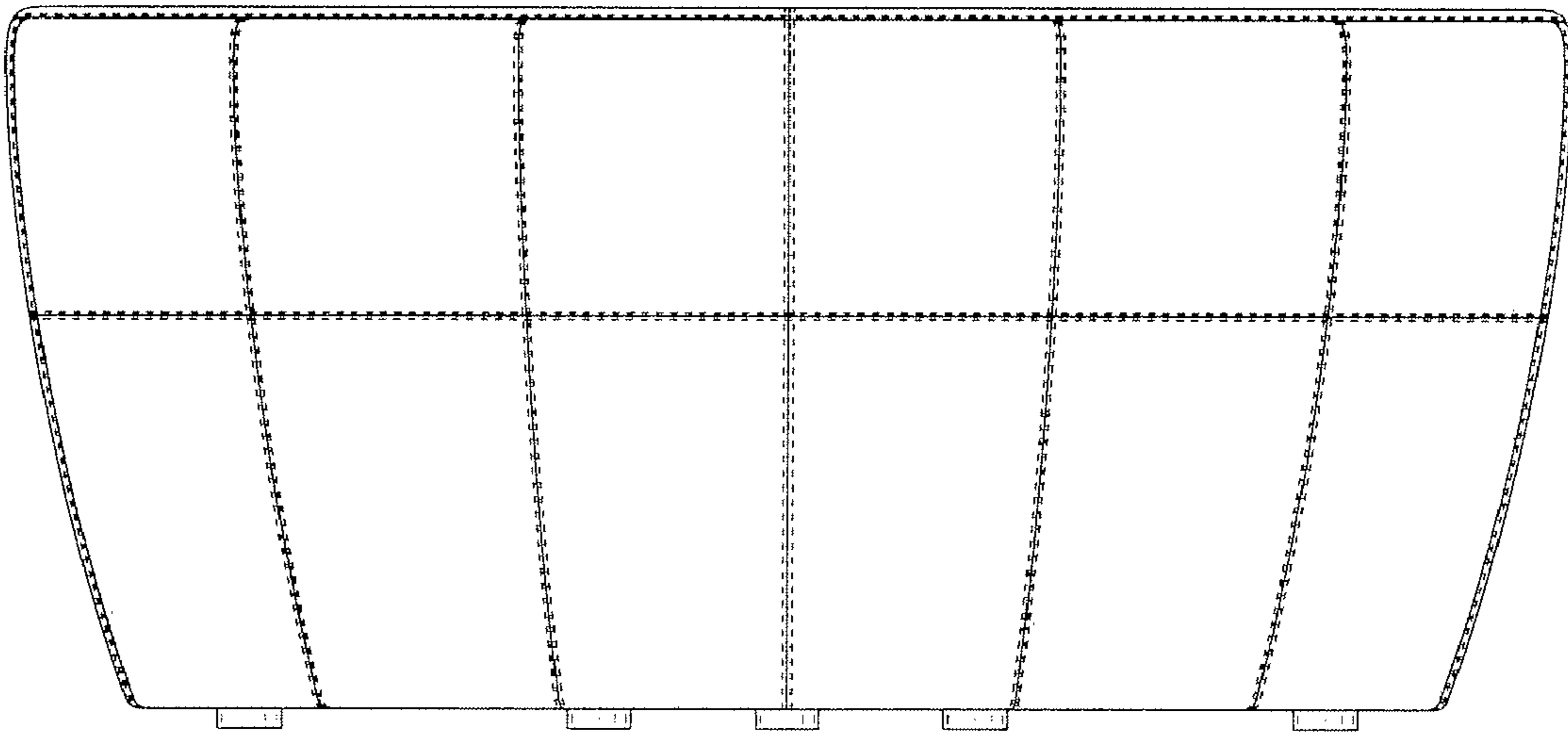


FIG. 3

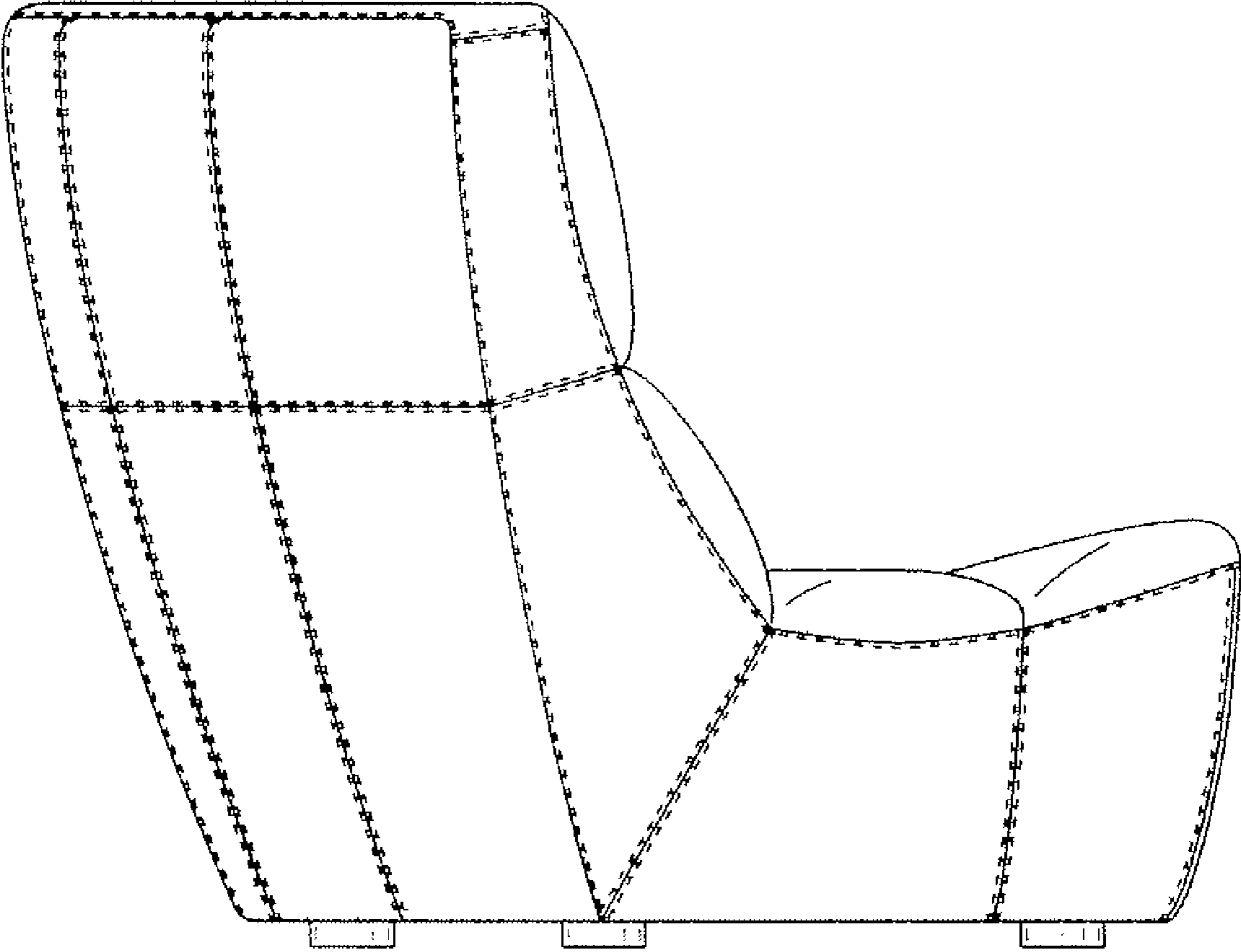


FIG. 4

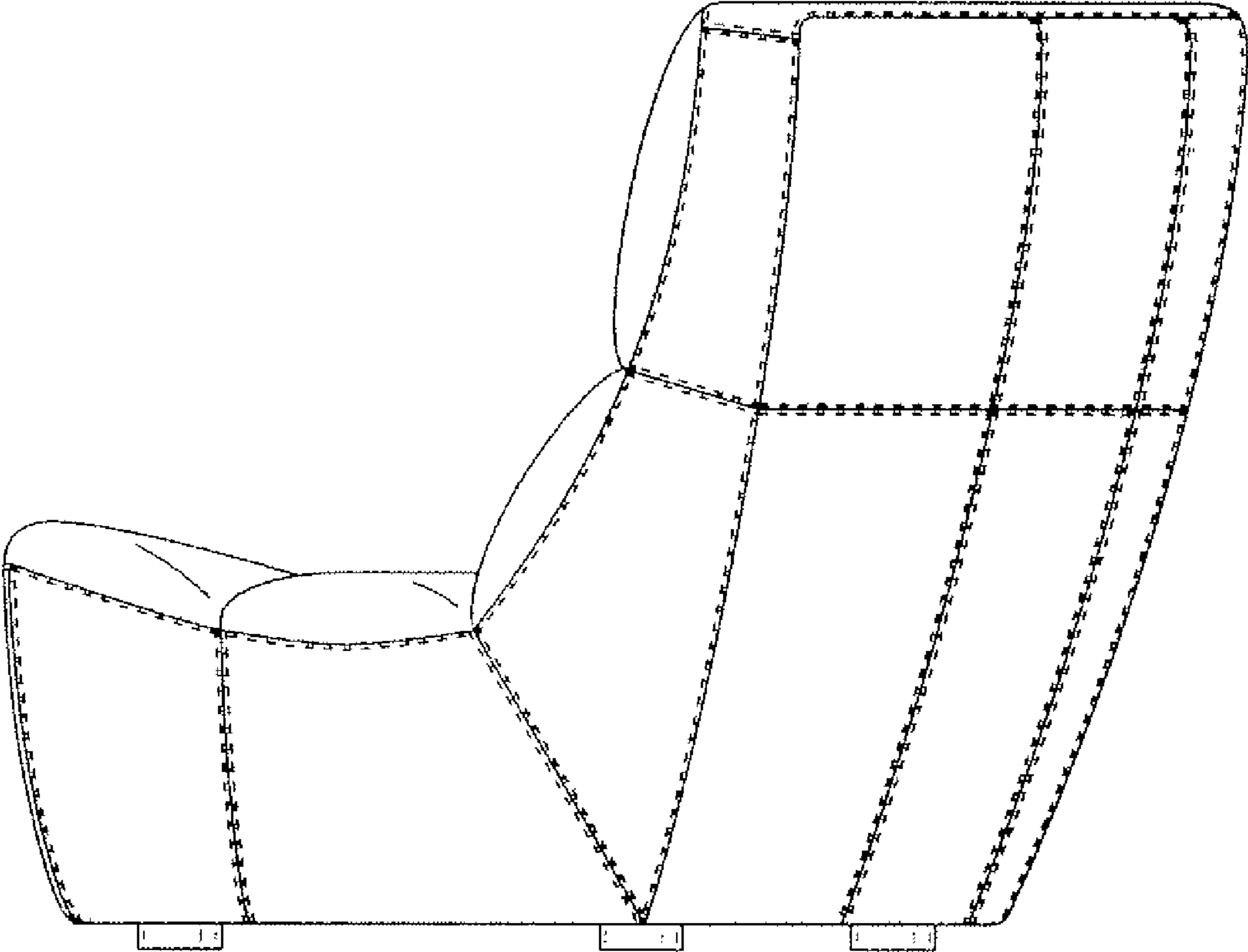


FIG. 5

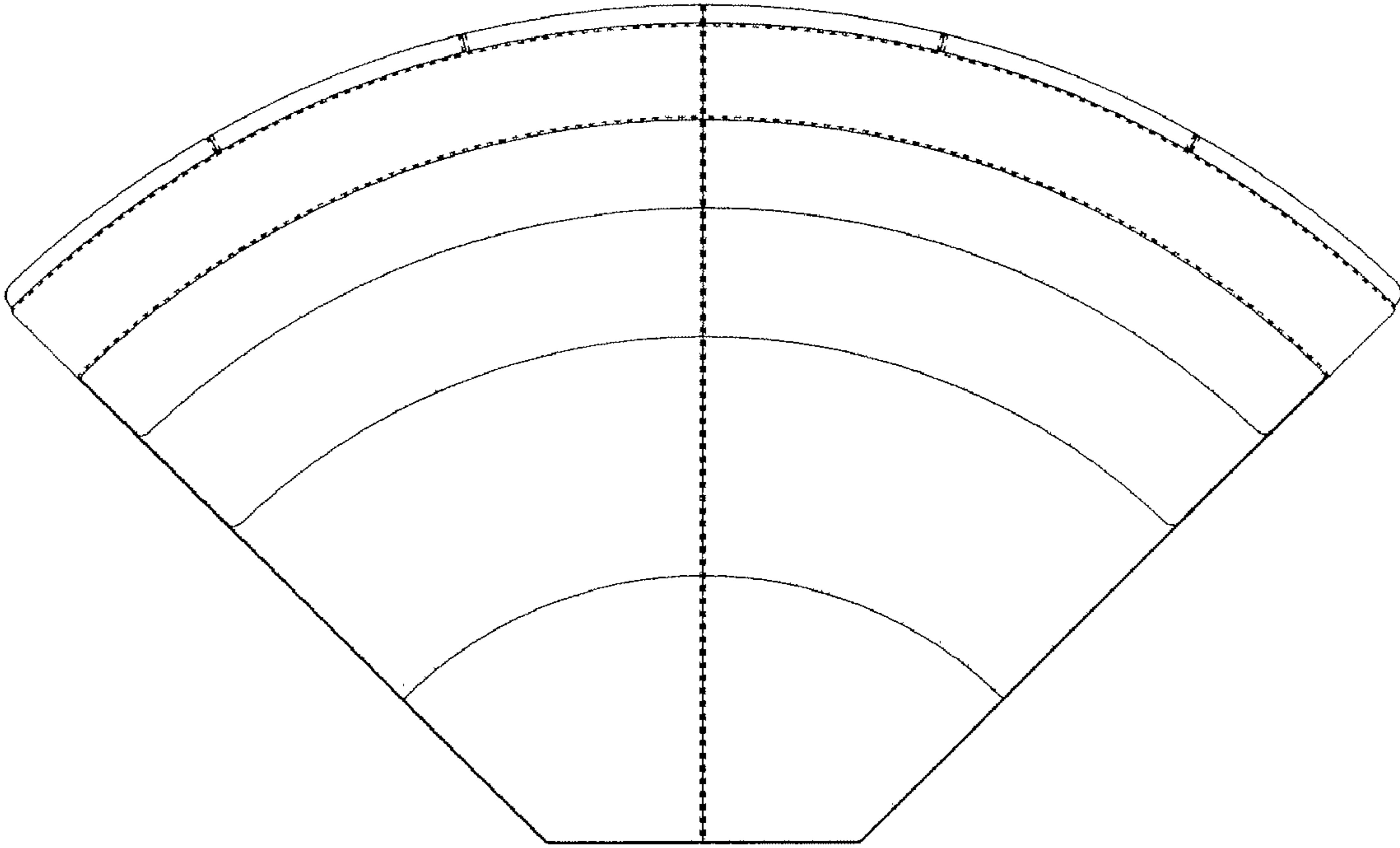


FIG. 6

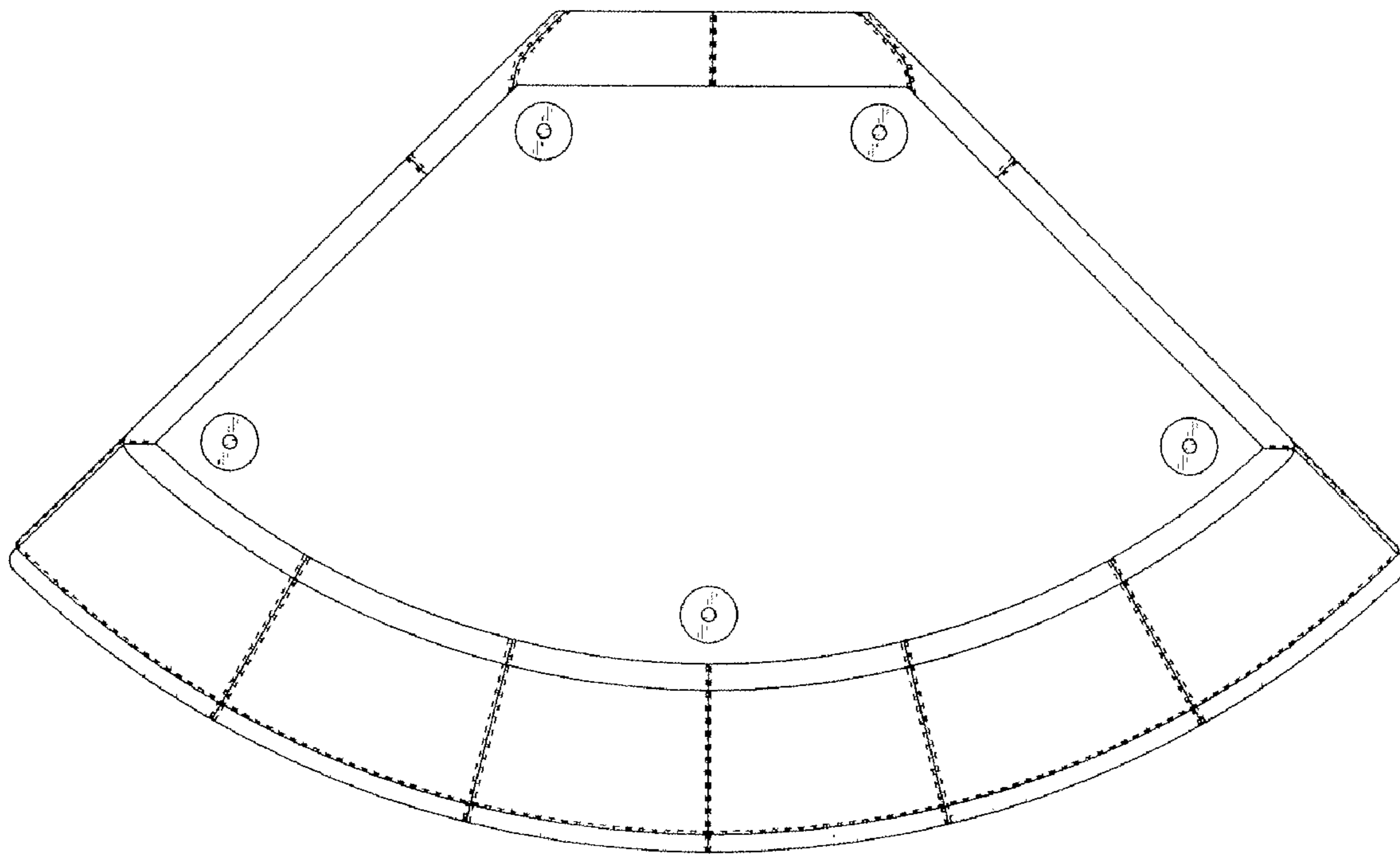


FIG. 7