



US00D646906S

(12) **United States Design Patent**
Joly

(10) **Patent No.:** **US D646,906 S**
(45) **Date of Patent:** **** Oct. 18, 2011**

(54) **TUBULAR SEAT**

(75) Inventor: **Sylvain Joly**, Marolles En Brie (FR)

(73) Assignee: **Chateau d'Ax S.p.A.** (IT)

(**) Term: **14 Years**

(21) Appl. No.: **29/377,313**

(22) Filed: **Oct. 20, 2010**

(51) **LOC (9) Cl.** **06-01**

(52) **U.S. Cl.** **D6/375**

(58) **Field of Classification Search** D6/334-336,
D6/344, 361, 364, 371, 373, 374, 375, 377,
D6/381, 500-502; 297/232, 233, 445.1,
297/446.1, 448.2, 452.12, 452.17, 452.19
See application file for complete search history.

(56) **References Cited**

U.S. PATENT DOCUMENTS

3,893,731	A *	7/1975	Maggs	297/452.17
D242,964	S *	1/1977	Haynes, Sr.	D6/377
D243,045	S *	1/1977	Haynes, Sr.	D6/377
D462,537	S *	9/2002	Werner	D6/375

D508,618	S *	8/2005	Mourgue	D6/375
D566,406	S *	4/2008	Lozano et al.	D6/334
D627,574	S *	11/2010	Joly	D6/375

* cited by examiner

Primary Examiner — Mimoso De

(74) *Attorney, Agent, or Firm* — Curtis, Mallet-Prevost, Colt & Mosle, LLP

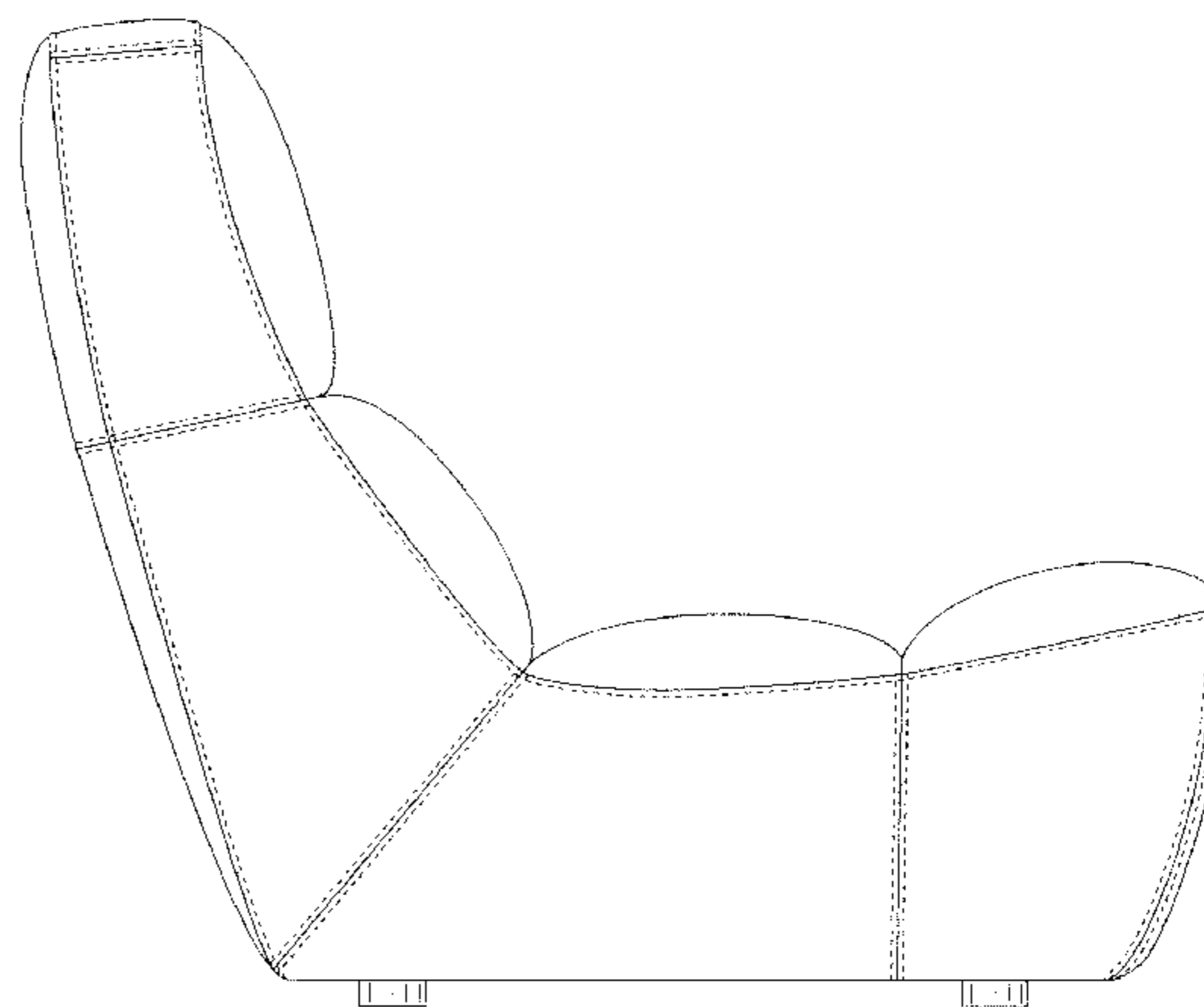
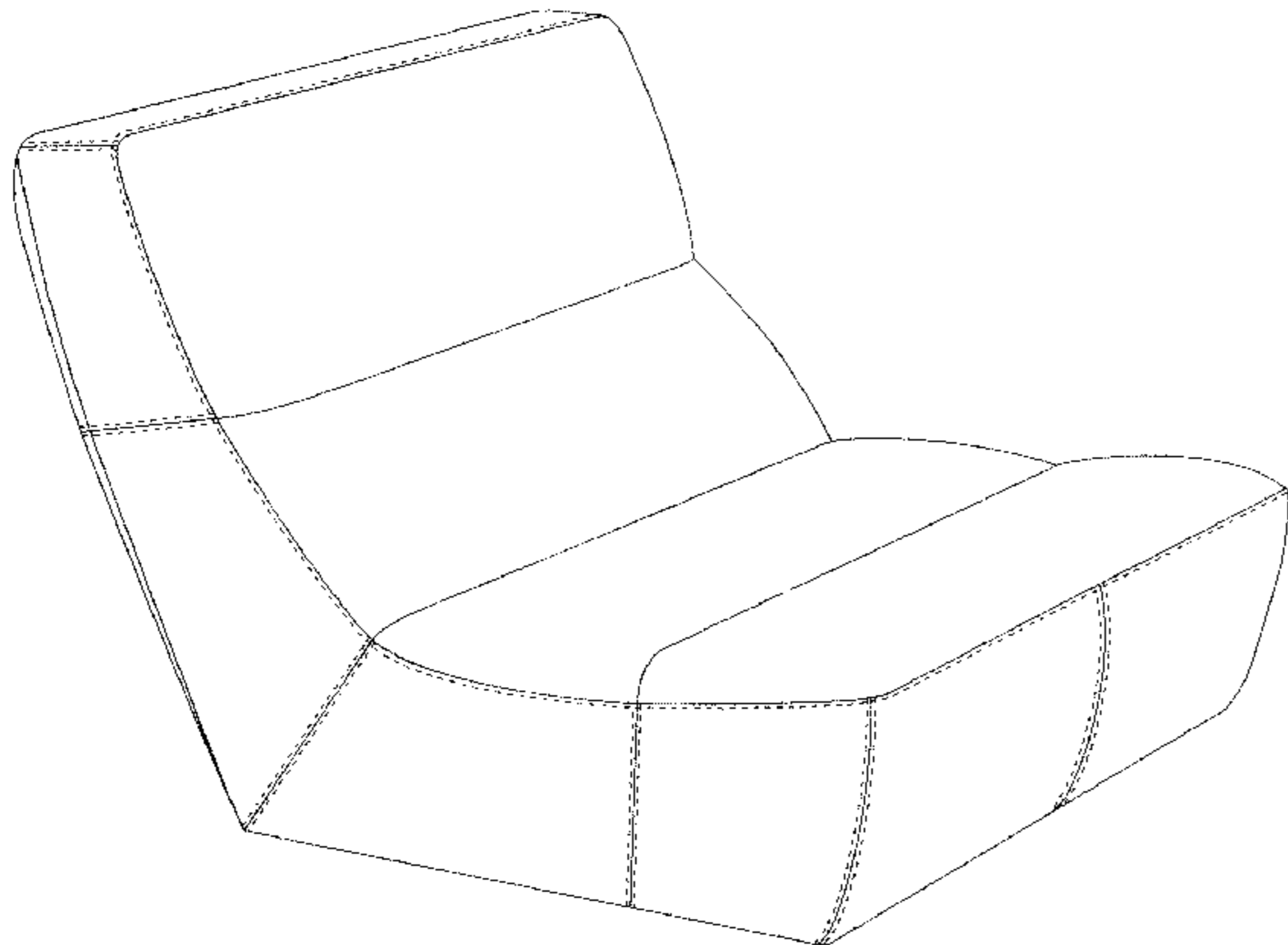
(57) **CLAIM**

The ornamental design for the tubular seat, as shown and described.

DESCRIPTION

FIG. 1 is a perspective view of the new ornamental tubular seat of the present invention.
 FIG. 2 is a front view thereof.
 FIG. 3 is a rear view thereof.
 FIG. 4 is a left view thereof.
 FIG. 5 is a right view thereof.
 FIG. 6 is a top view thereof; and,
 FIG. 7 is a bottom view thereof.
 The short dashed lines shown on the backrest and seat cushion are understood to represent stitching.

1 Claim, 7 Drawing Sheets



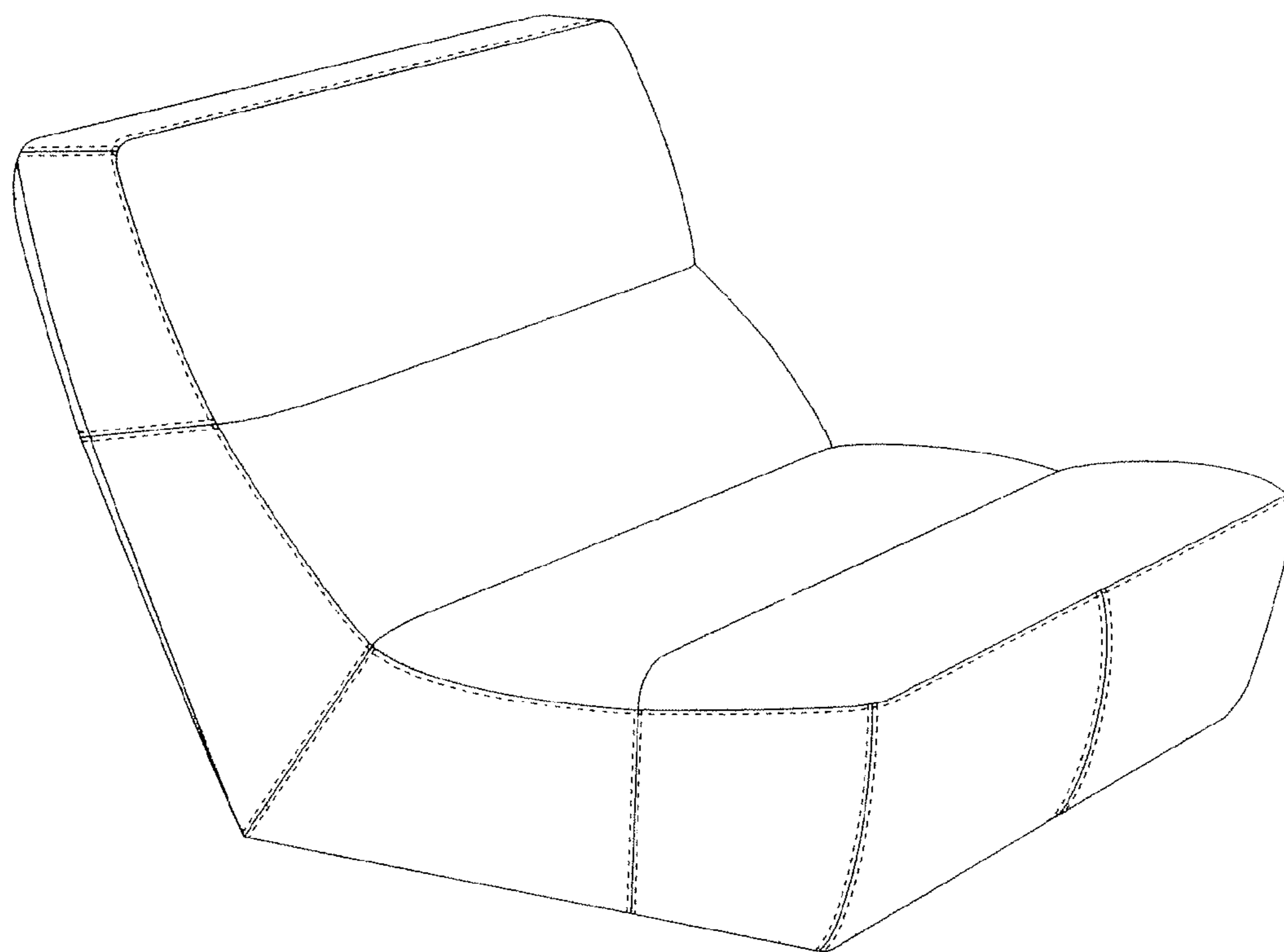


FIG. 1

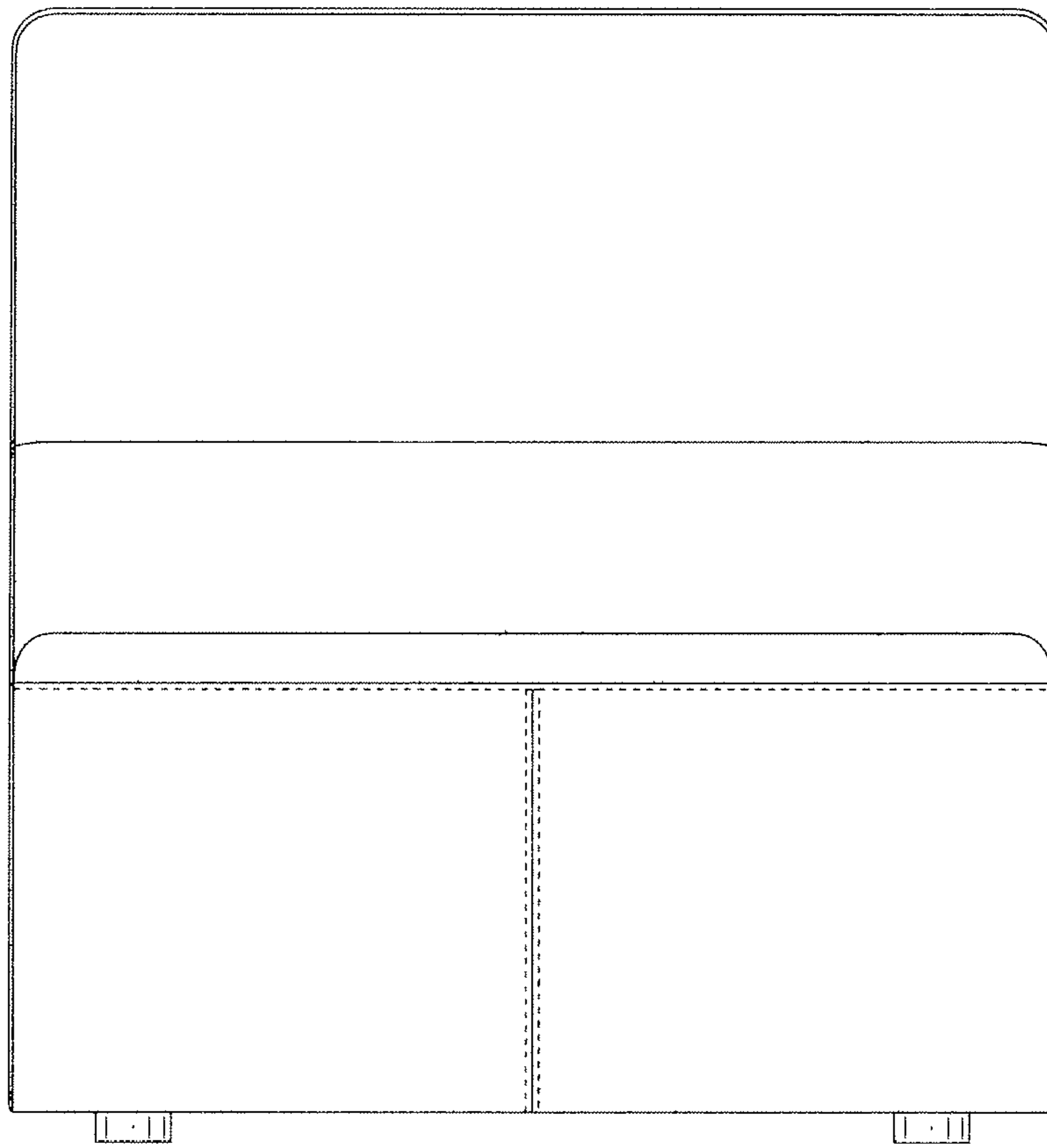


FIG. 2

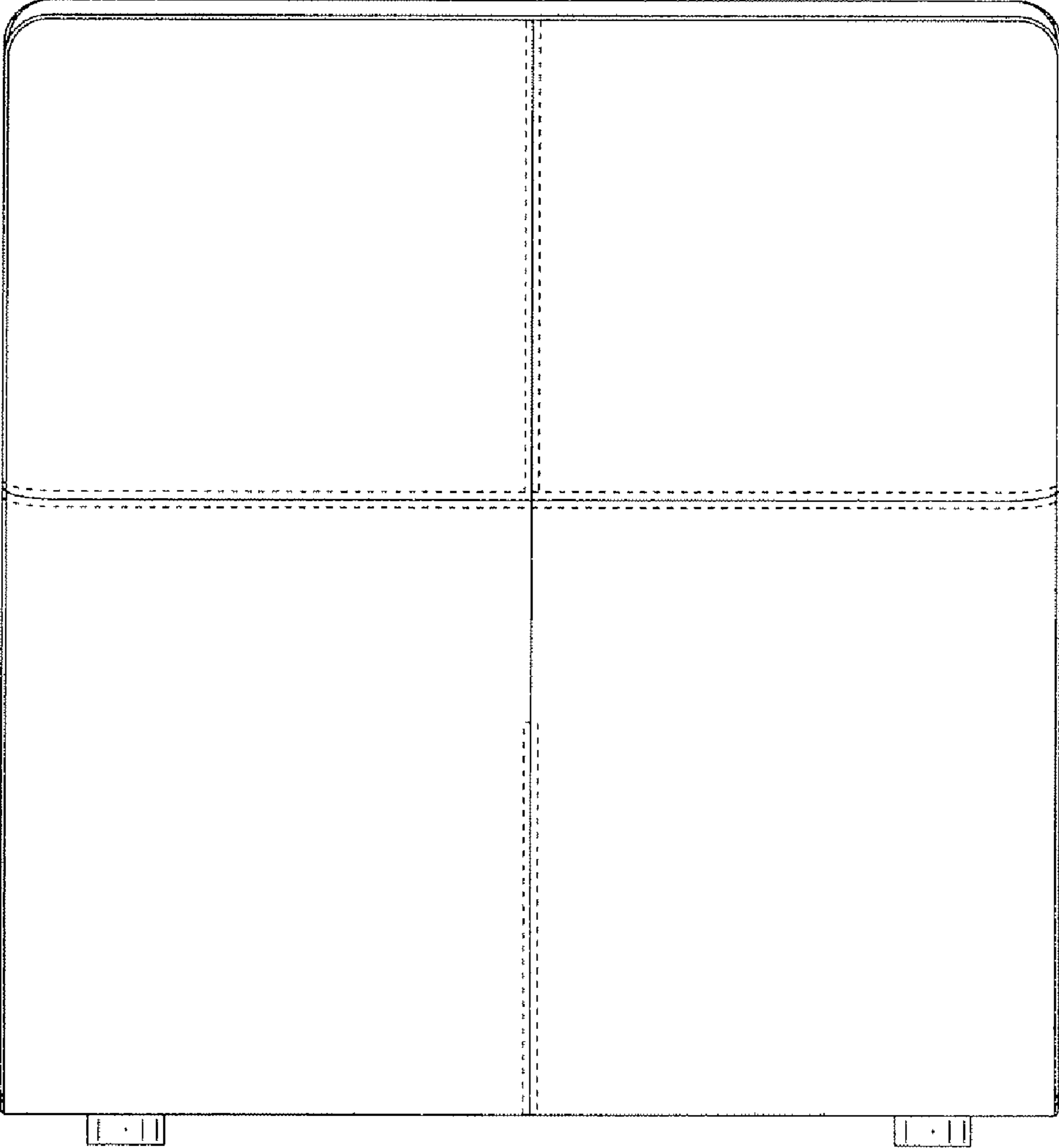


FIG. 3

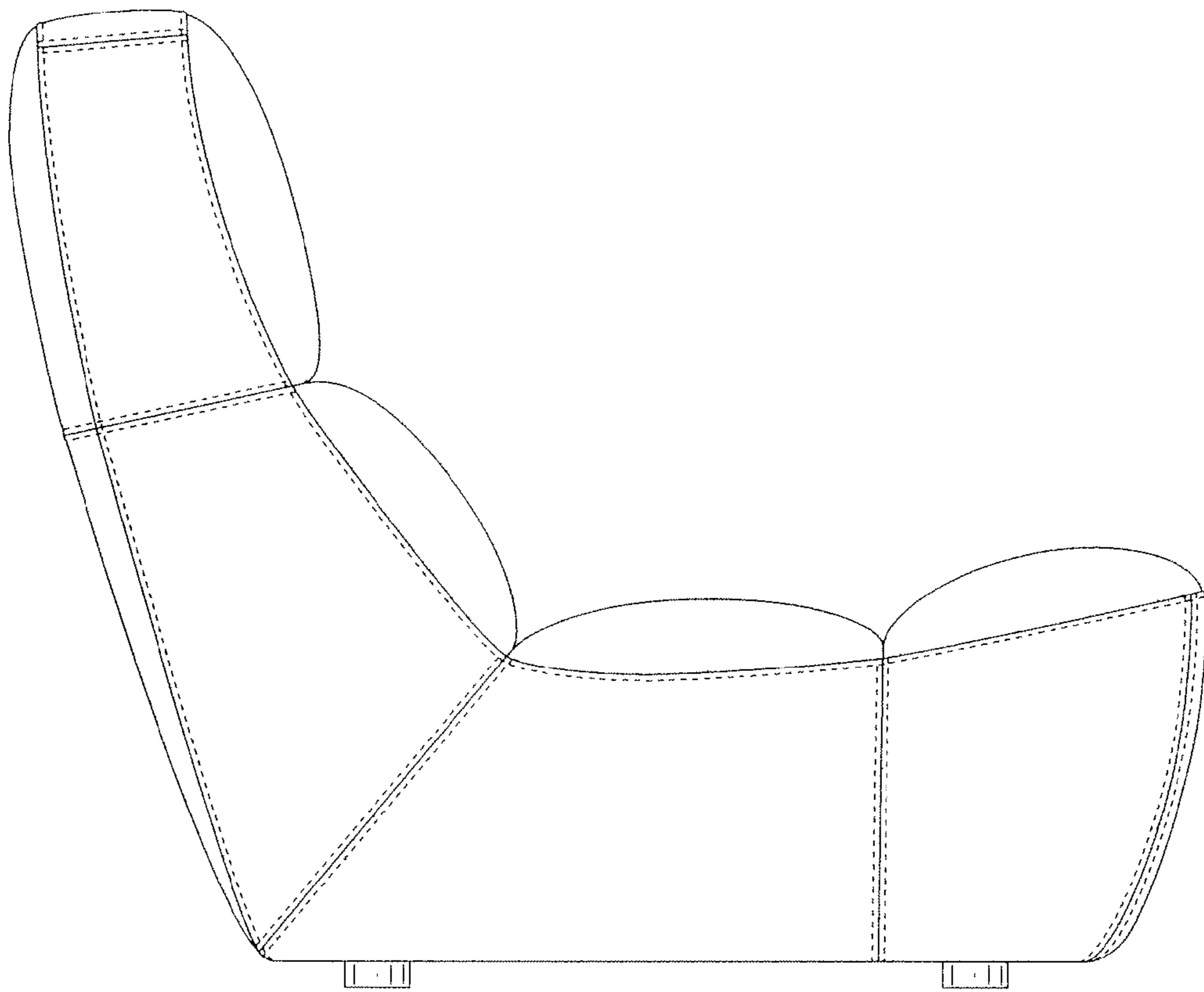


FIG. 4

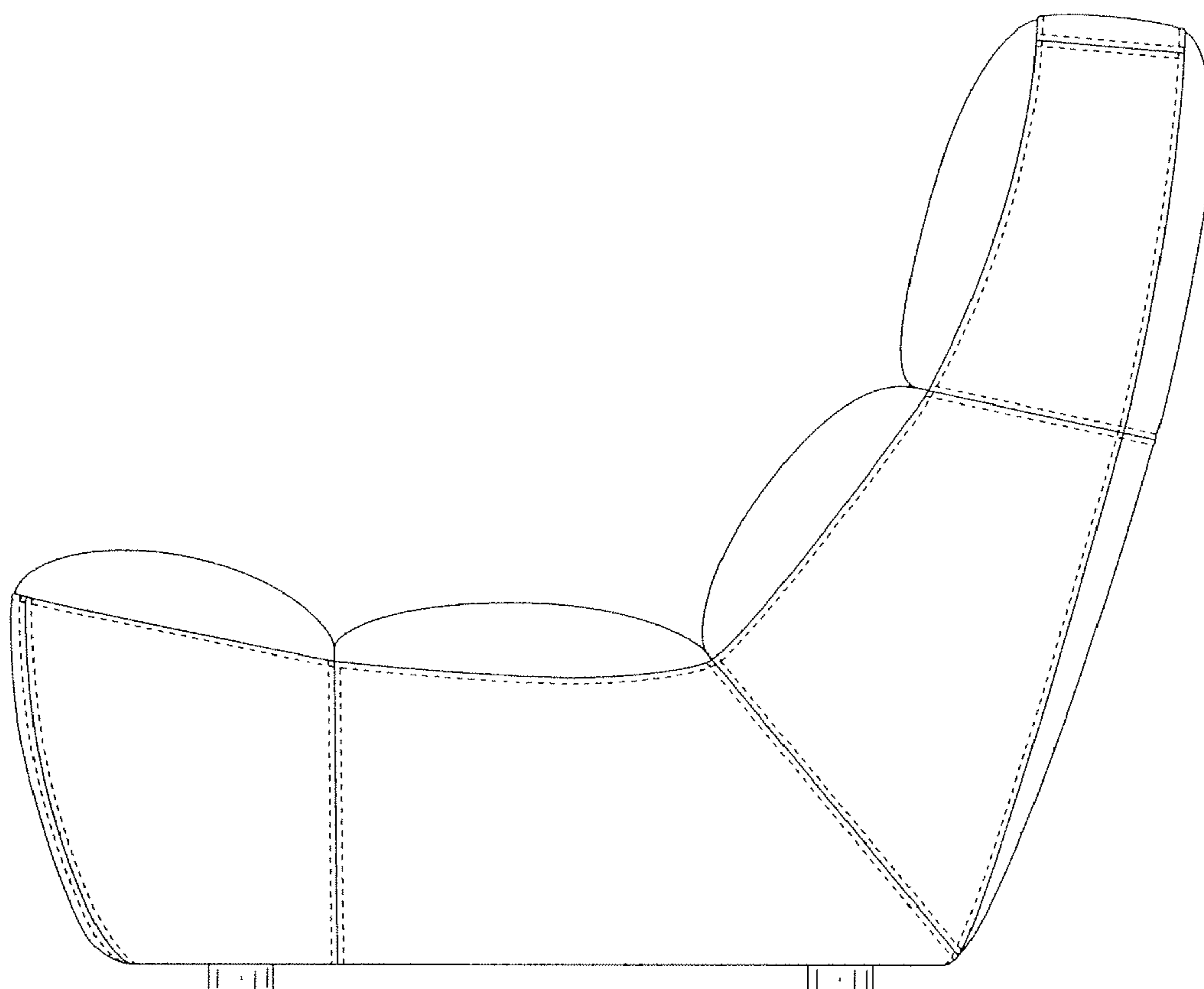


FIG. 5

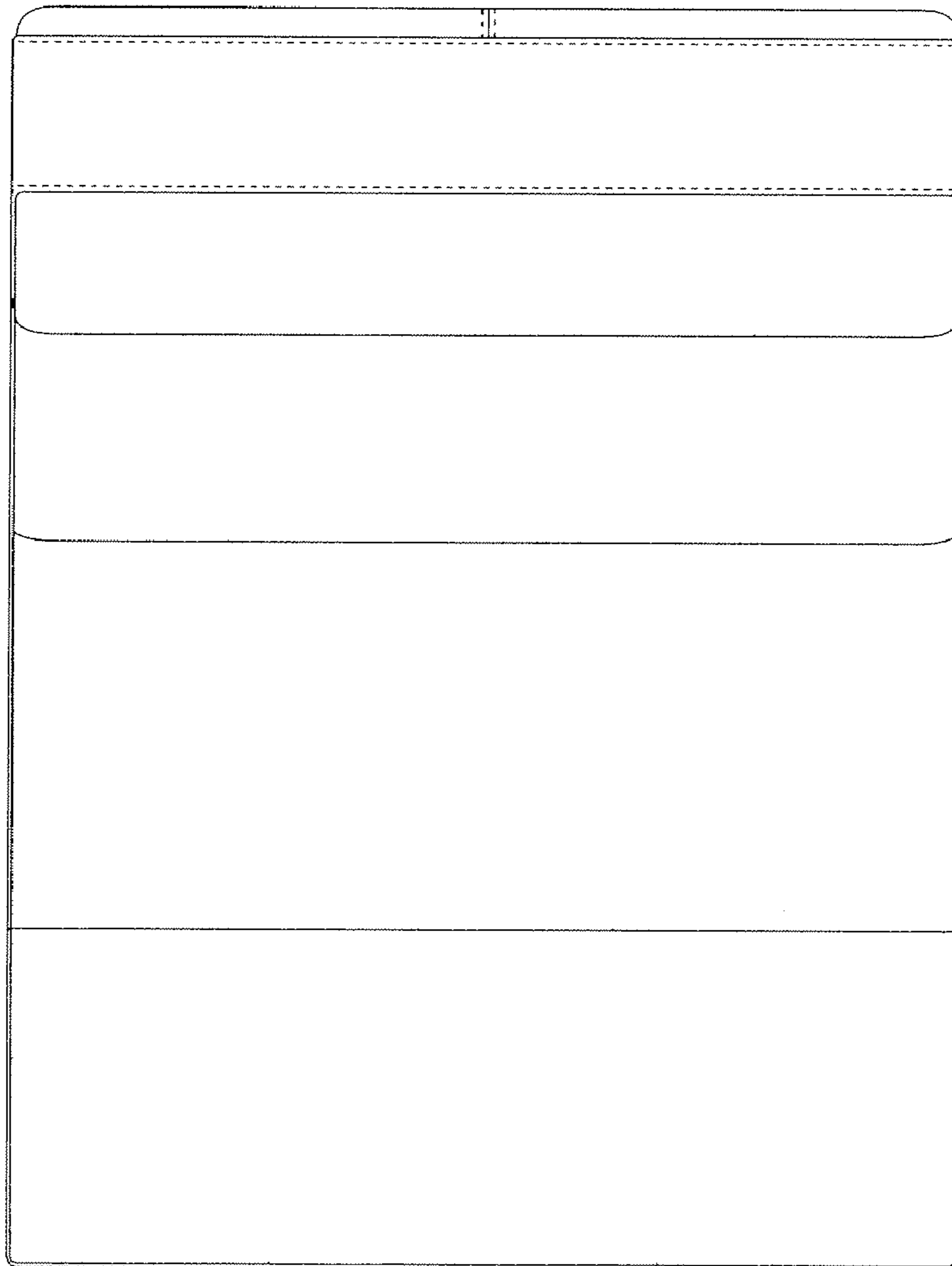


FIG. 6

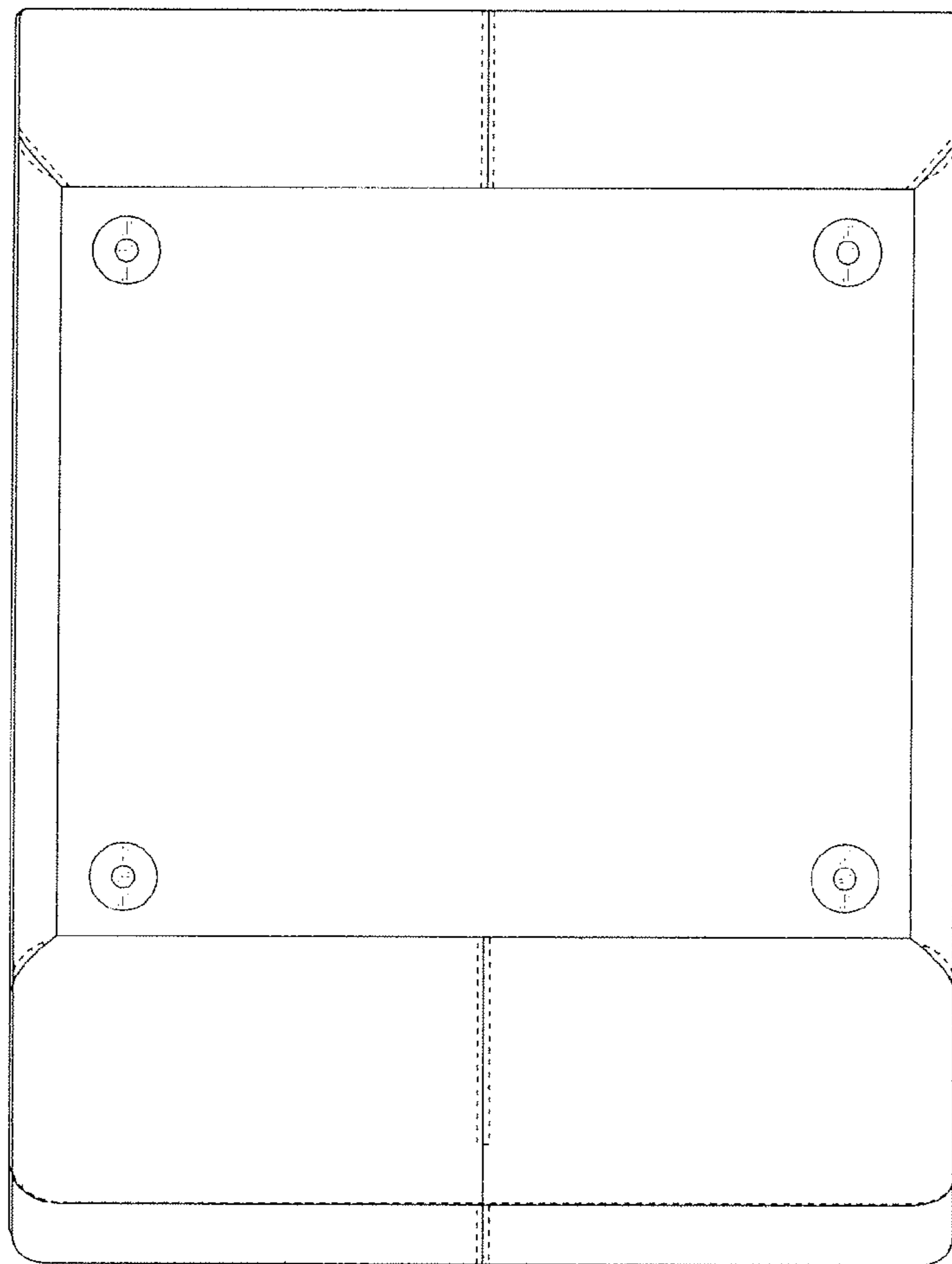


FIG. 7