



US00D646904S

(12) **United States Design Patent**
Feldstein et al.

(10) **Patent No.:** **US D646,904 S**

(45) **Date of Patent:** **** Oct. 18, 2011**

(54) **STAND FOR A CONTROL FRAME ASSEMBLY**

Primary Examiner — Philip S Hyder
Assistant Examiner — Sydney Buffalow

(75) Inventors: **George Feldstein**, Cresskill, NJ (US);
Jeffrey Ausfeld, New York, NY (US)

(73) Assignee: **Crestron Electronics**, Rockleigh, NJ (US)

(57) **CLAIM**
The ornamental design for a stand for a control frame assembly, as shown and described.

(**) Term: **14 Years**

(21) Appl. No.: **29/375,562**

DESCRIPTION

(22) Filed: **Sep. 24, 2010**

(51) **LOC (9) Cl.** **06-07**

(52) **U.S. Cl.** **D6/310**

(58) **Field of Classification Search** D6/419,
D6/312, 314, 316, 406, 310; D14/451, 375,
D14/447, 229, 217, 137, 149, 452, 449, 251,
D14/253, 239, 432, 224, 435, 496; 211/11,
211/42, 43, 126.6, 132.1, 171, 195; D18/4.5;
D16/221; 248/917-924, 371; D19/75, 81,
D19/86, 90, 91

See application file for complete search history.

FIG. 1 shows a front left isometric view of a stand for a control frame assembly.
FIG. 2 shows a back right isometric view of the stand for a control frame assembly.
FIG. 3 shows a front left isometric view of the stand for a control frame assembly supporting an unclaimed touchpanel device.
FIG. 4 shows a front elevational view of the stand for a control frame assembly.
FIG. 5 shows a left side view of the stand for a control frame assembly.
FIG. 6 shows a right side view of the stand for a control frame assembly.
FIG. 7 shows a back elevational view of the stand for a control frame assembly.
FIG. 8 shows a front elevational view of the stand for a control frame assembly supporting an unclaimed touchpanel device.
FIG. 9 shows a left side view of the stand for a control frame assembly supporting an unclaimed touchpanel device.
FIG. 10 shows a right side view of the stand for a control frame assembly supporting an unclaimed touchpanel device; and,
FIG. 11 shows a back elevational view of the stand for a control frame assembly supporting an unclaimed touchpanel device.
The broken lines shown in the drawings are directed to unclaimed portions of the article and are for informational purposes only and form no part of the claimed design.

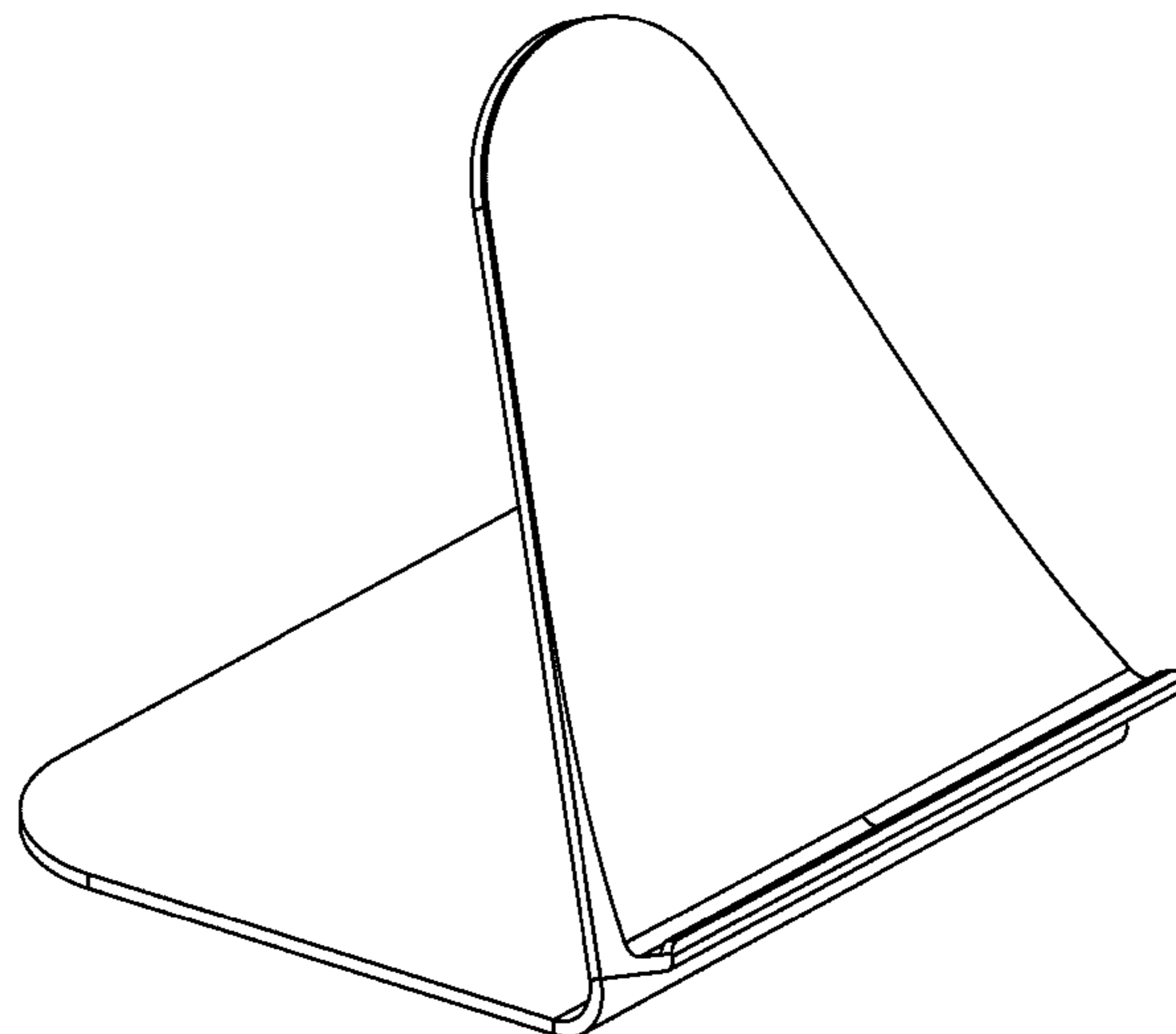
(56) **References Cited**

U.S. PATENT DOCUMENTS

D108,457	S	*	2/1938	Rhode	D6/310
D251,426	S	*	3/1979	Molyneux	D14/229
4,163,497	A	*	8/1979	McEwen	211/11
D262,212	S	*	12/1981	Janda	D14/149
D305,837	S	*	2/1990	Bowman	D6/419
D332,702	S	*	1/1993	Kaga et al.	D6/310
D335,963	S	*	6/1993	Tracey	D6/310
D350,555	S	*	9/1994	Field et al.	D16/221
D364,158	S	*	11/1995	Branch	D14/137
D413,110	S	*	8/1999	Sweere et al.	D14/447
D531,631	S	*	11/2006	Andre et al.	D14/375
D541,799	S	*	5/2007	Andre et al.	D14/375
D557,259	S	*	12/2007	Hirsch	D14/217
D569,898	S	*	5/2008	Masuda	D18/4.5
D593,568	S	*	6/2009	Hsieh et al.	D14/451

* cited by examiner

1 Claim, 11 Drawing Sheets



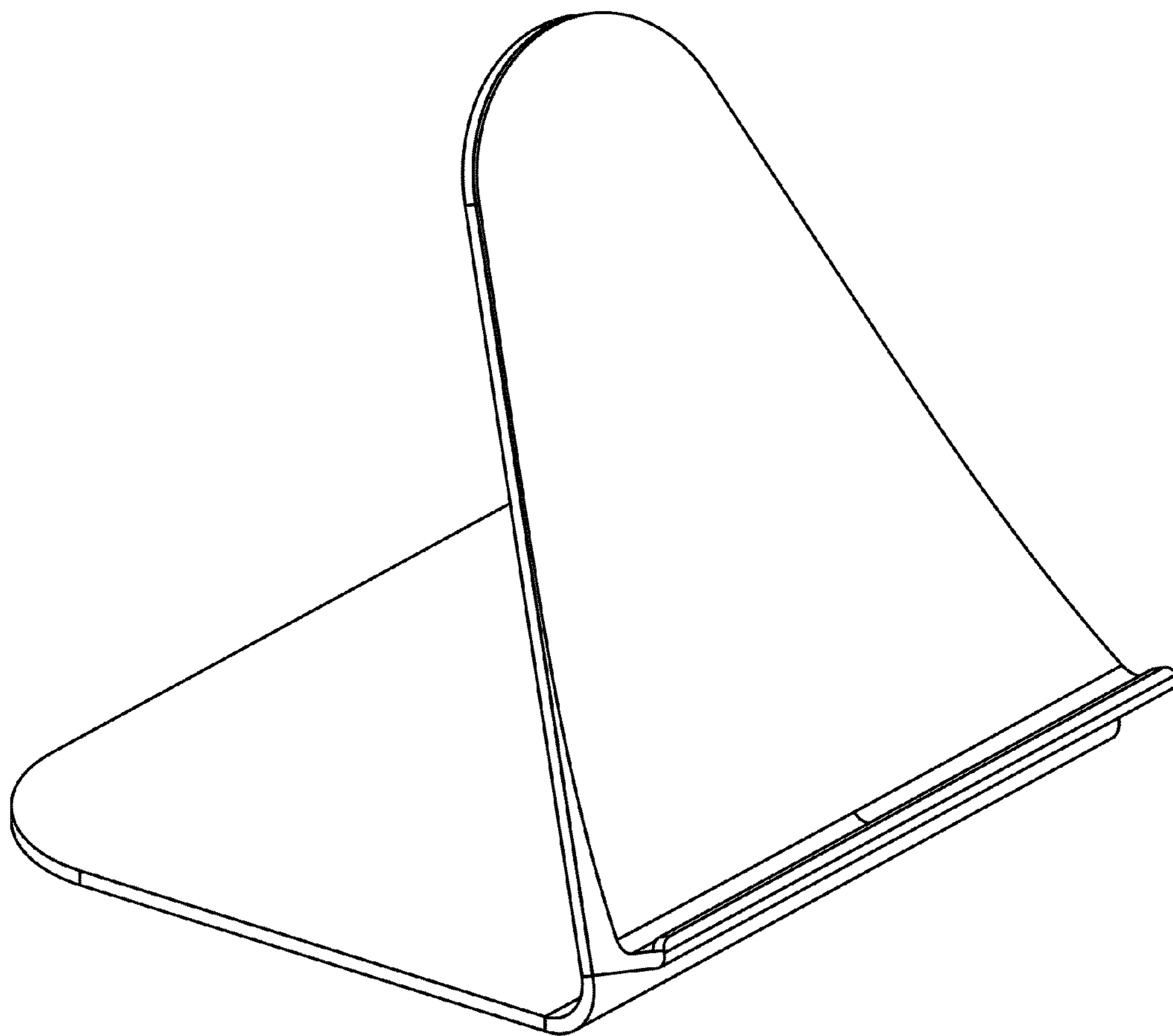


FIG. 1

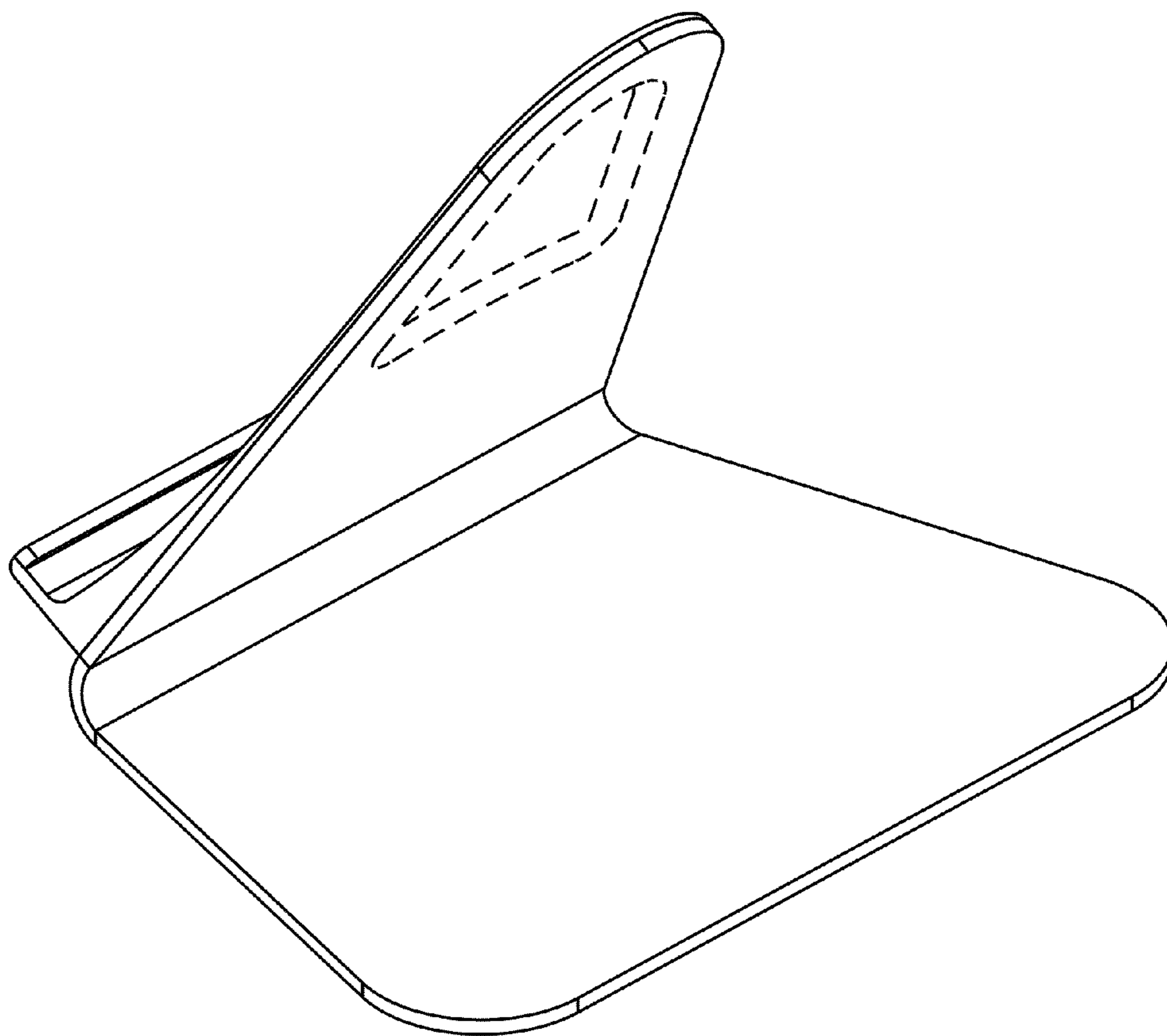


FIG. 2

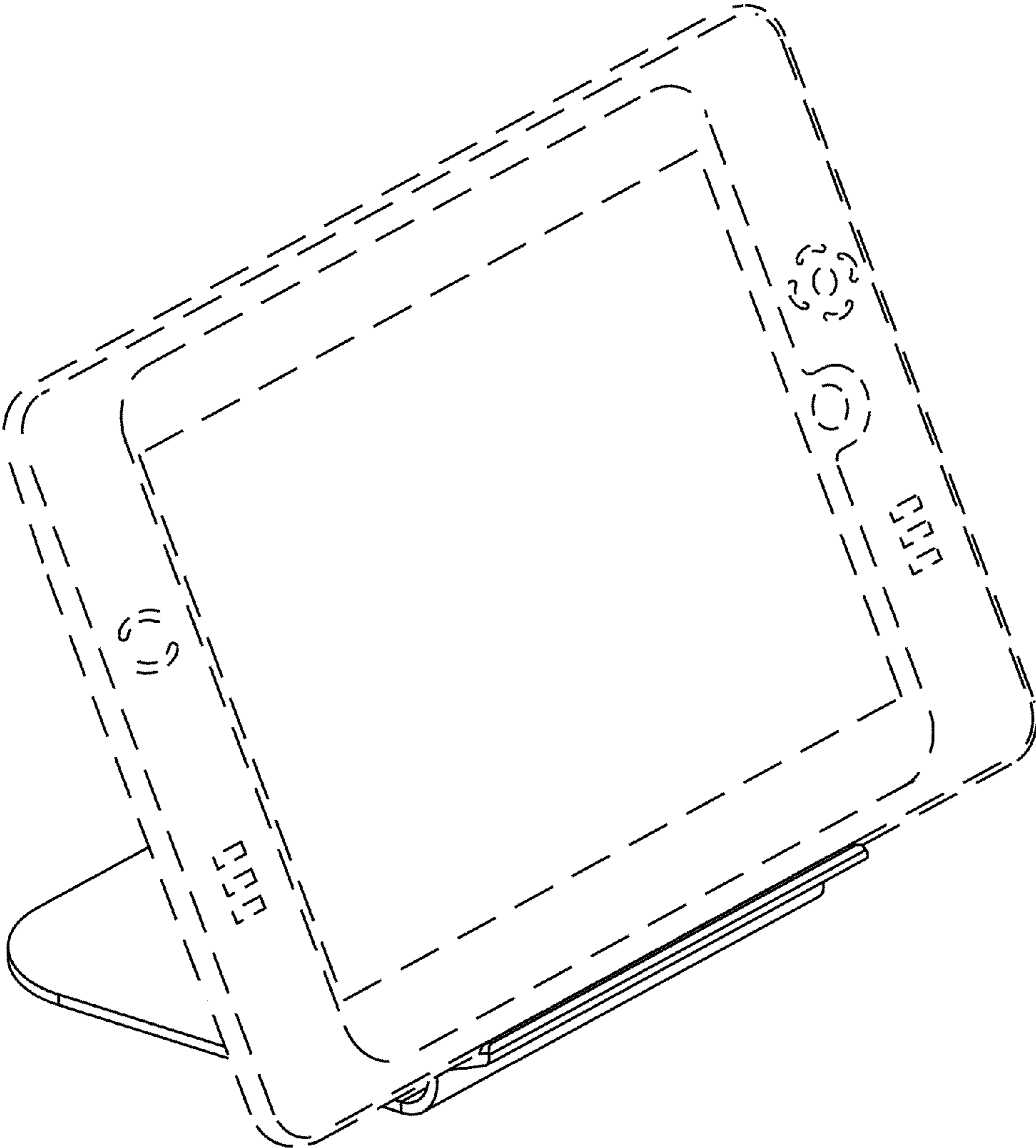


FIG. 3

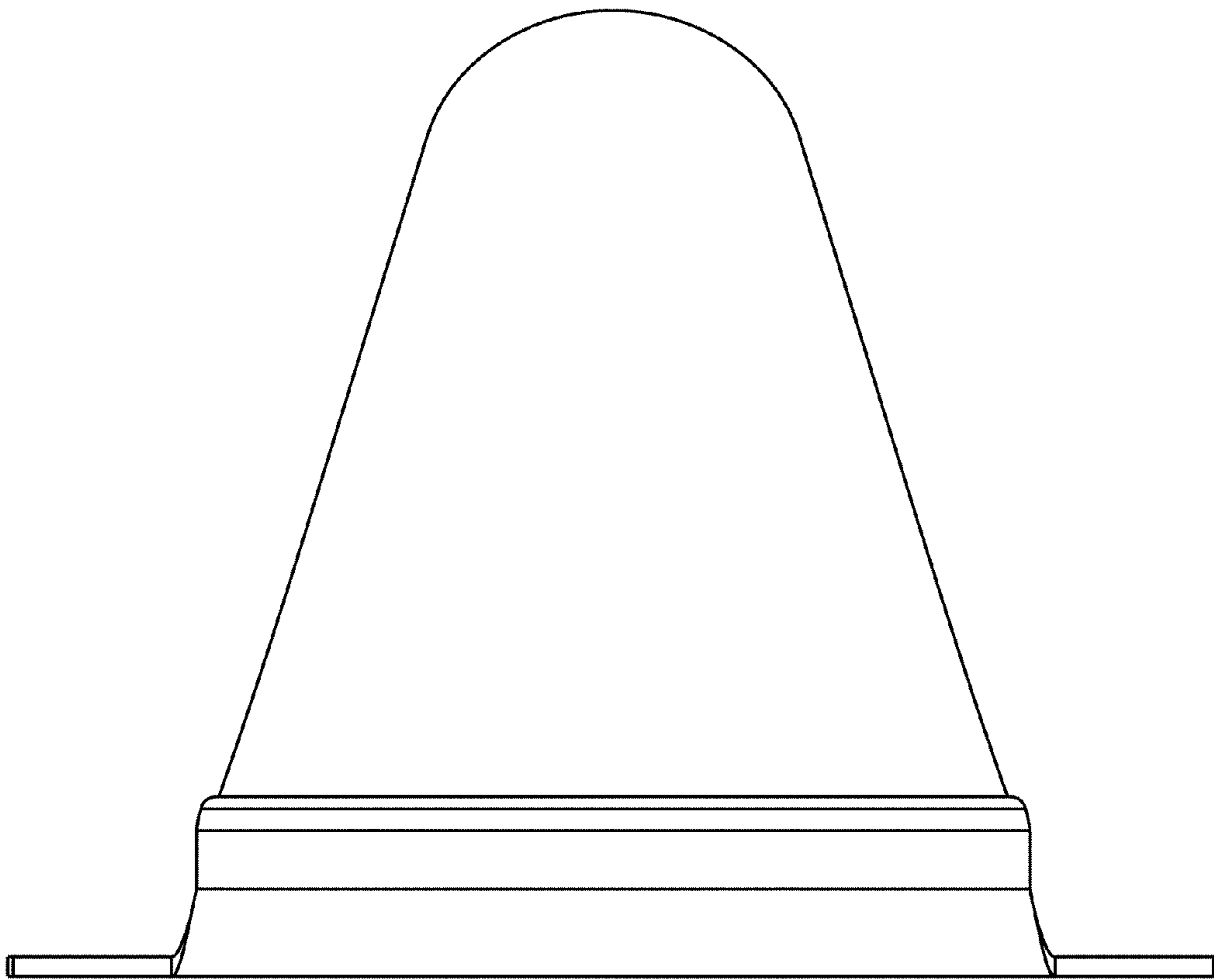


FIG. 4

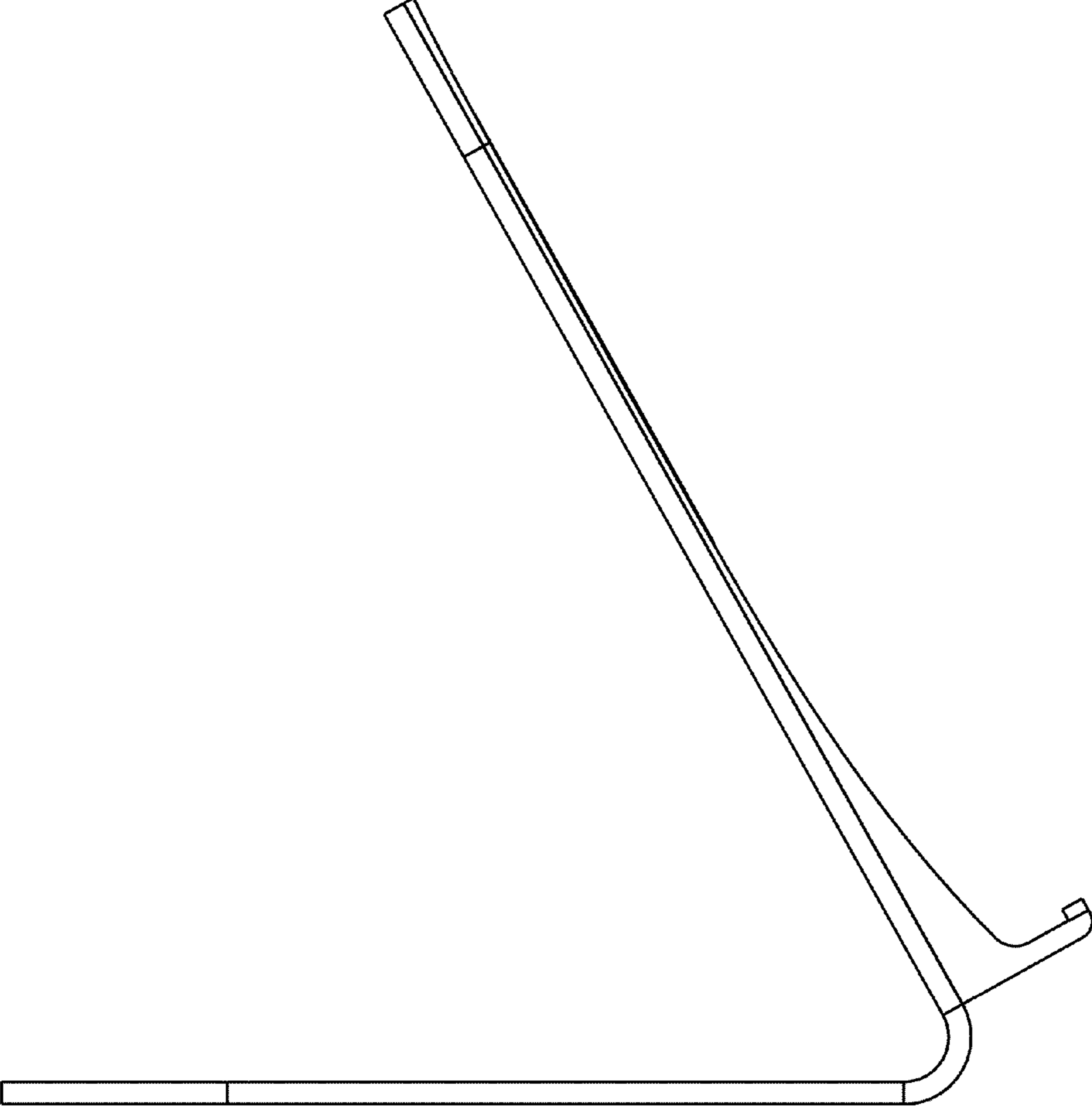


FIG. 5

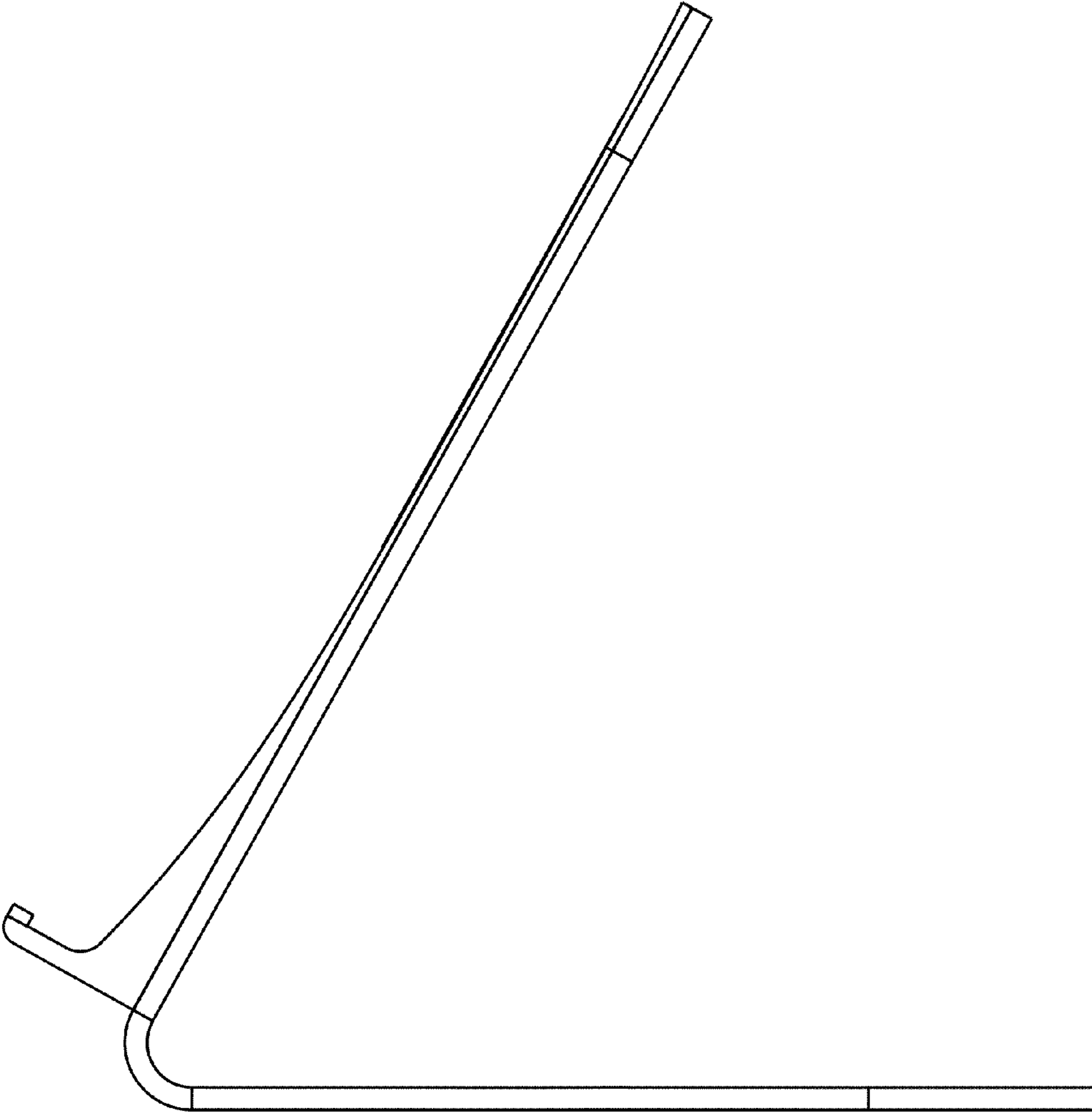


FIG. 6

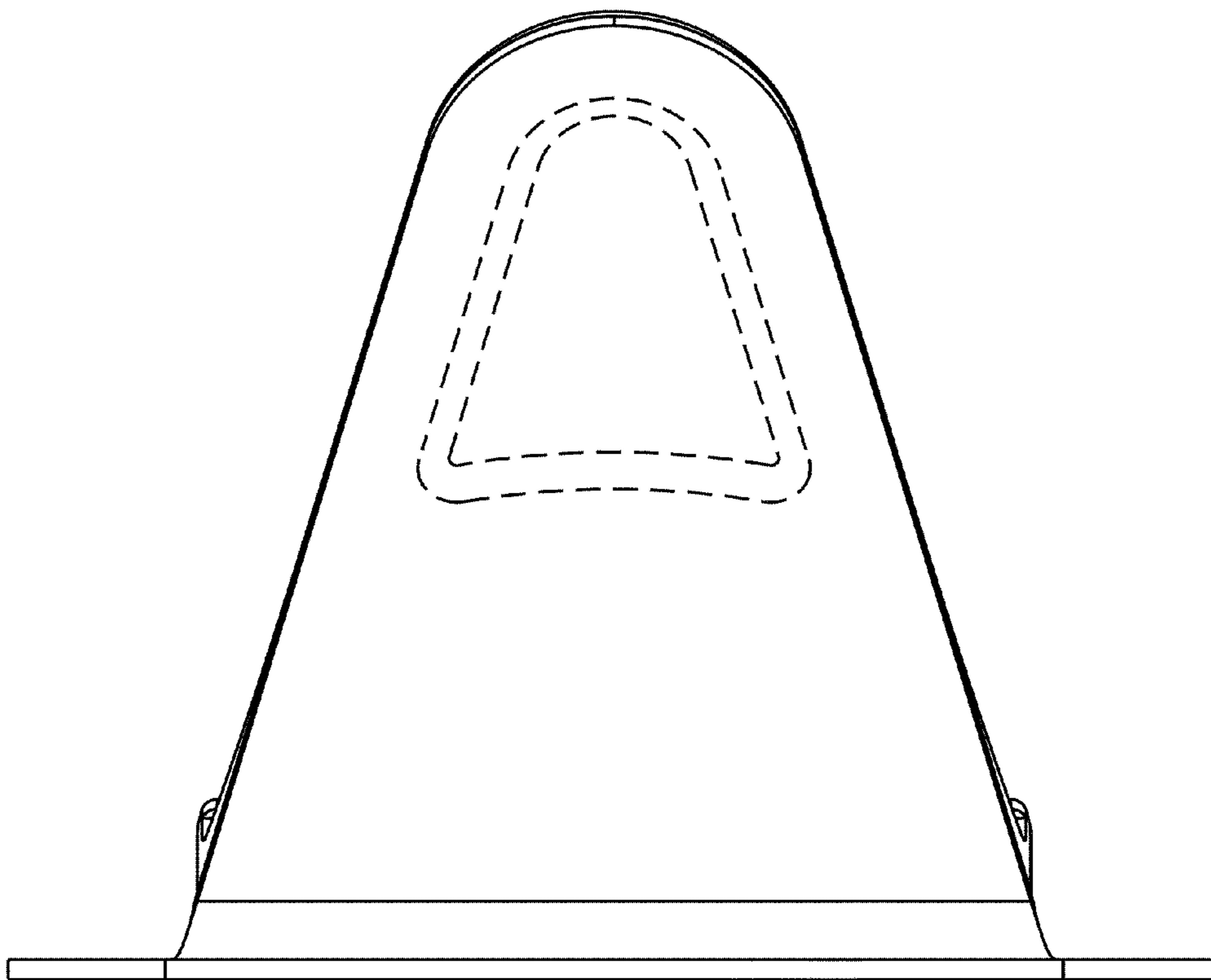


FIG. 7

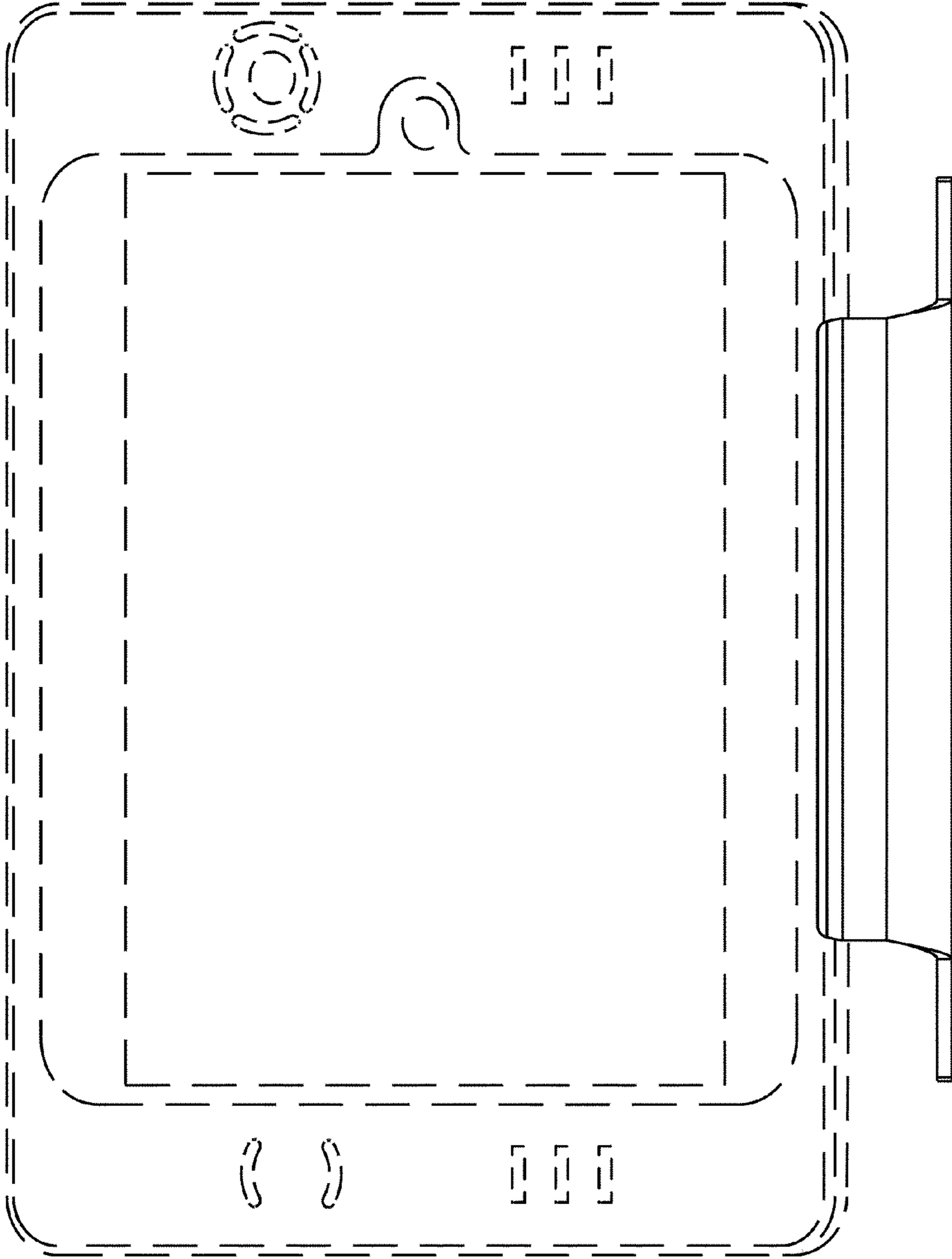


FIG. 8

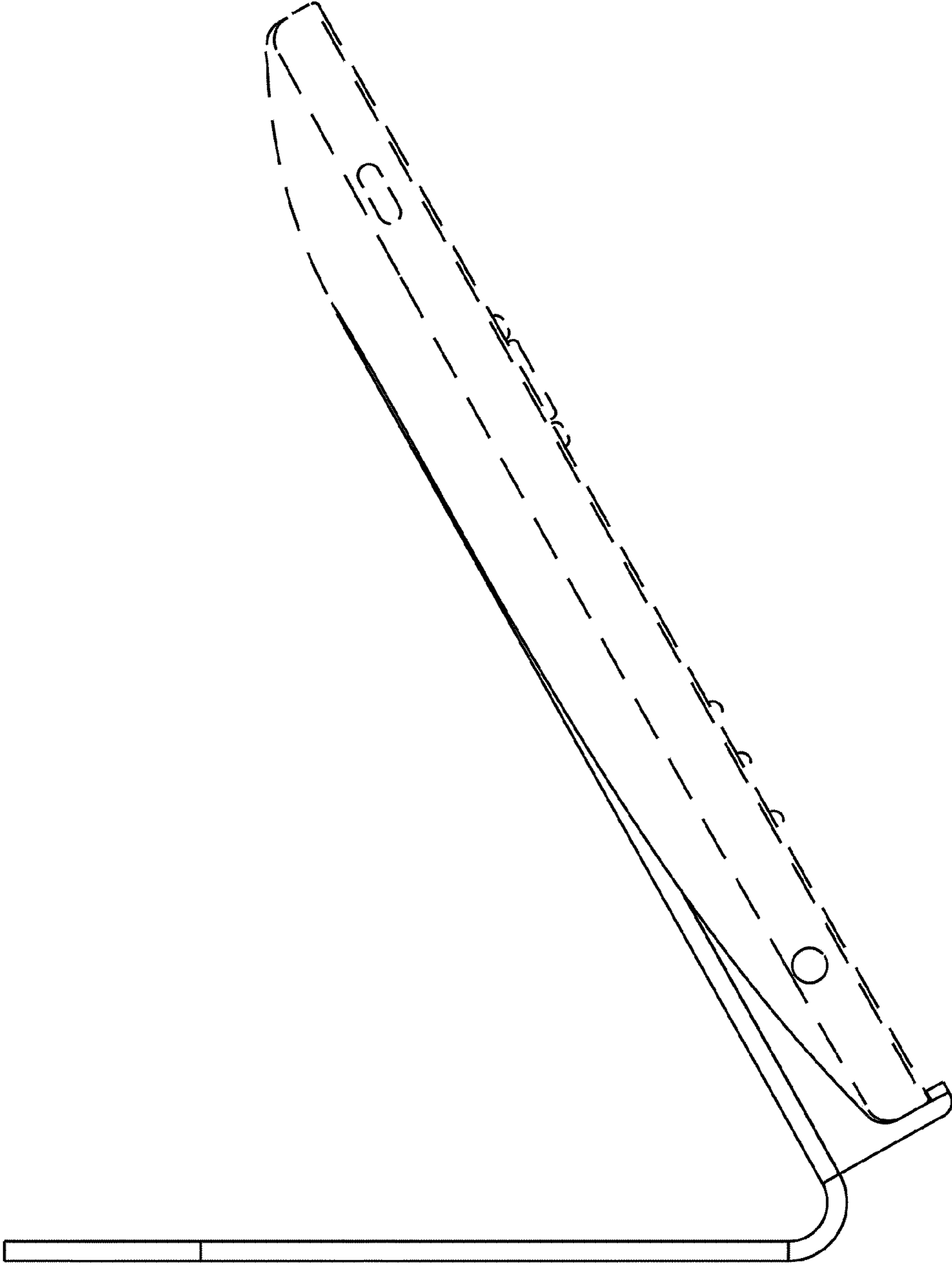


FIG. 9

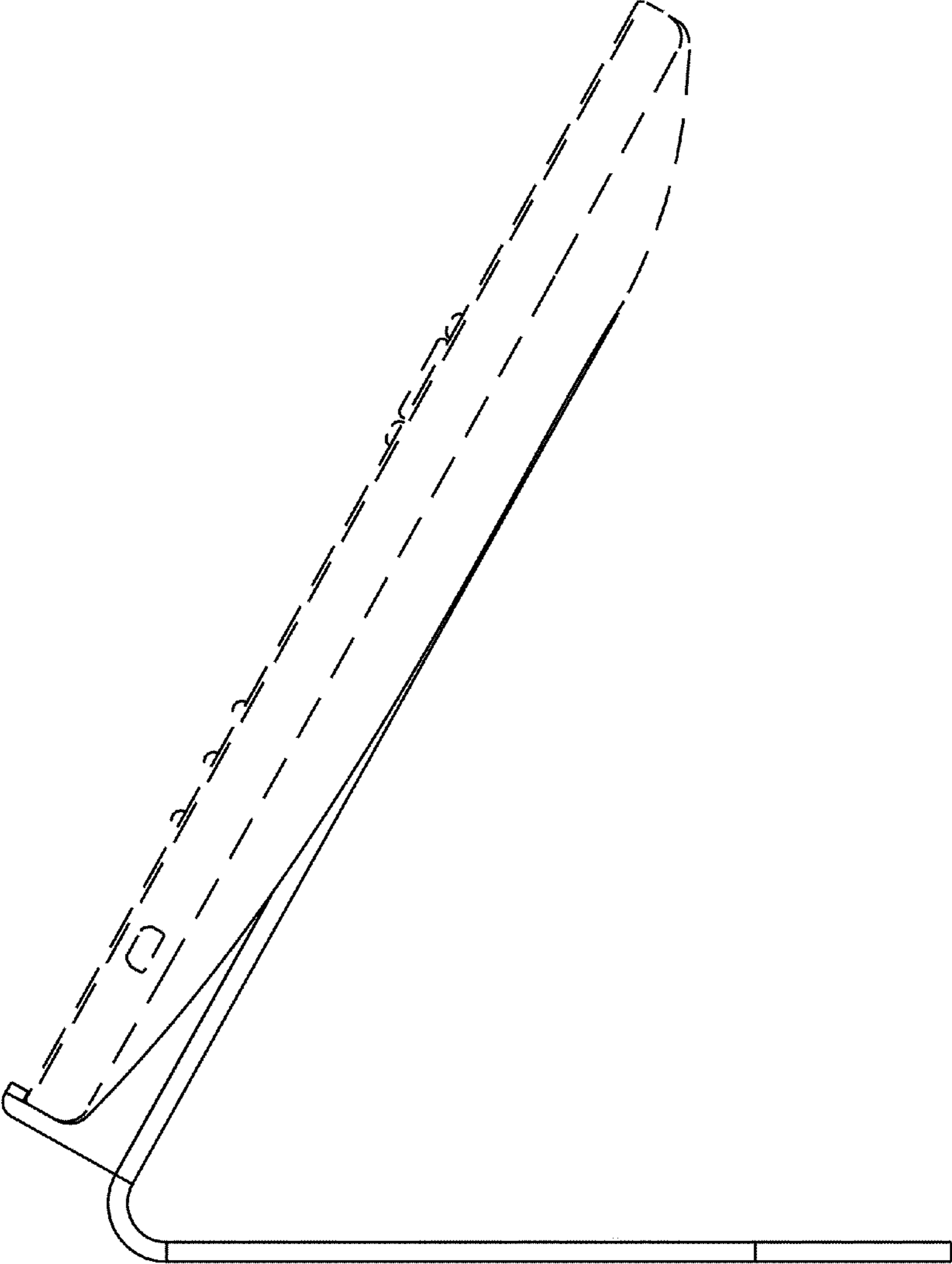


FIG. 10

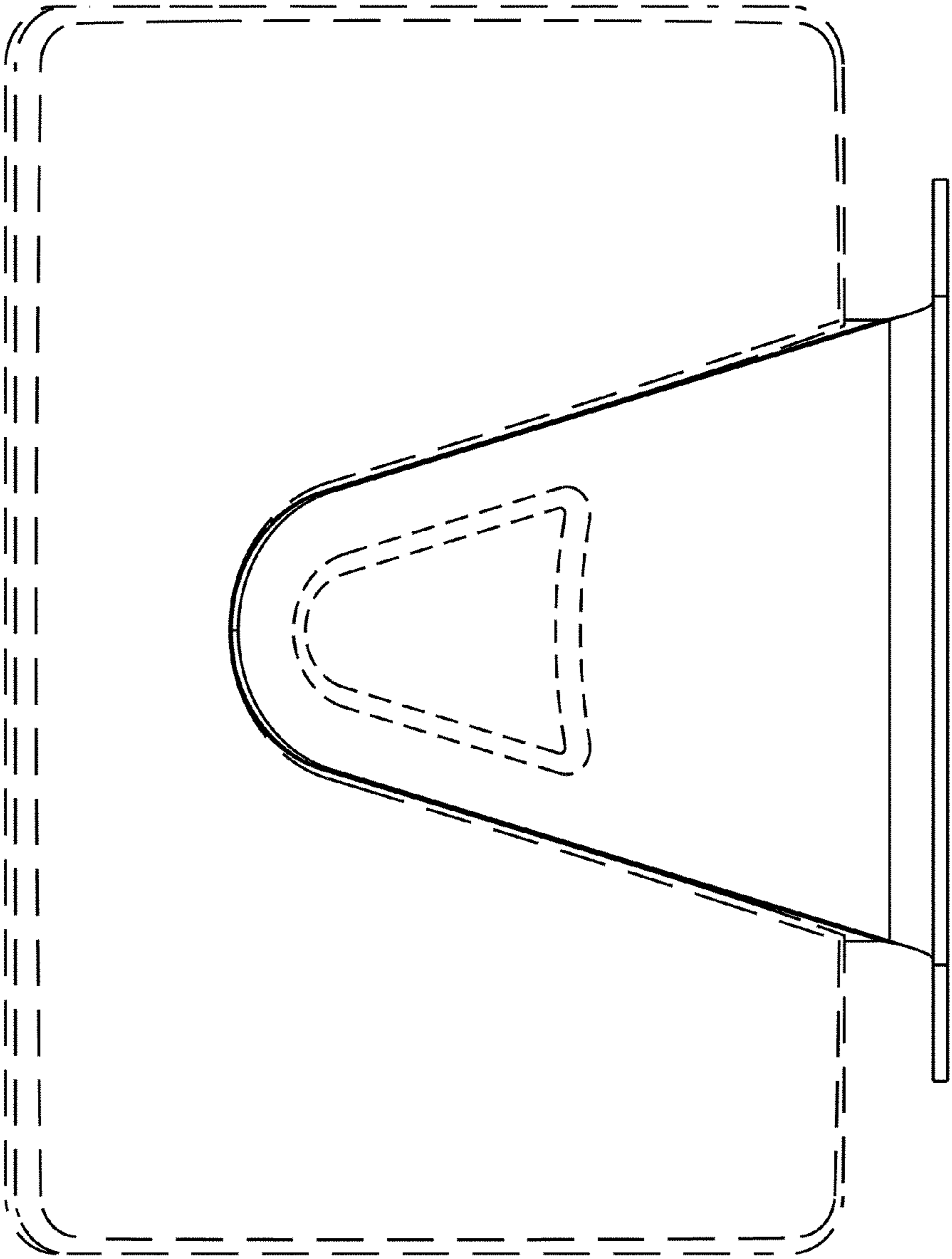


FIG. 11