



US00D646903S

(12) **United States Design Patent**
Santana

(10) **Patent No.:** **US D646,903 S**

(45) **Date of Patent:** **** Oct. 18, 2011**

(54) **STAND FOR ELECTRONIC TABLET**

(76) **Inventor:** **Jason Santana**, Centereach, NY (US)

(**) **Term:** **14 Years**

(21) **Appl. No.:** **29/364,041**

(22) **Filed:** **Jun. 17, 2010**

(51) **LOC (9) Cl.** **06-07**

(52) **U.S. Cl.** **D6/310**

(58) **Field of Classification Search** D6/310-314,
D6/419, 572, 420, 300; D19/90, 91, 88;
D14/451, 447; 40/777, 743, 800; D21/392;
248/441.1, 444.1, 445, 450, 460, 463, 453
See application file for complete search history.

(56) **References Cited**

U.S. PATENT DOCUMENTS

1,588,618	A	*	6/1926	Rosen	273/150
D133,526	S	*	8/1942	Berg	D6/419
D251,647	S	*	4/1979	Valien	D6/311
D289,233	S	*	4/1987	Cadman	D6/314
D307,686	S	*	5/1990	Cadman	D6/572
D347,451	S	*	5/1994	Kazakowitz	D21/392

D424,621	S	*	5/2000	Mandokoro et al.	D19/90
D431,052	S	*	9/2000	Wilcox	D21/392
D603,171	S	*	11/2009	Chang	D6/312

* cited by examiner

Primary Examiner — Phillip S Hyder

Assistant Examiner — Sydney Buffalow

(74) *Attorney, Agent, or Firm* — Dilworth & Barrese, LLP;
Michael J. Musella, Esq.

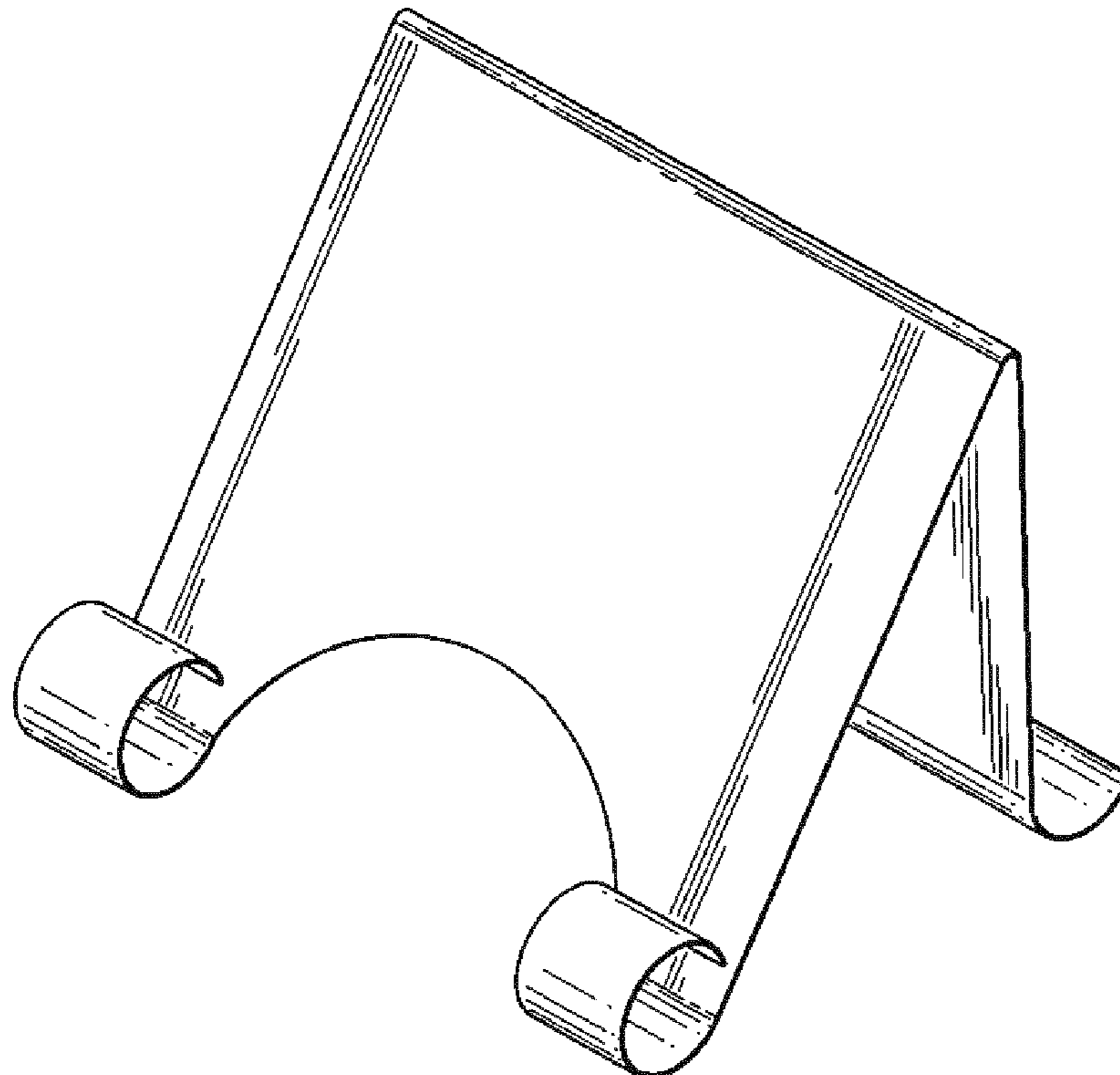
(57) **CLAIM**

The ornamental design for a stand for electronic tablet, as shown and described.

DESCRIPTION

FIG. 1 is a front perspective view of a stand, showing my new design;
FIG. 2 is a left side-view of the stand;
FIG. 3 is a front view of the stand;
FIG. 4 is a rear view of the stand;
FIG. 5 is a top view of the stand;
FIG. 6 is a bottom view of the stand;
FIG. 7 is a front perspective view of the stand supporting on a front support a portable electronic tablet; and,
FIG. 8 is a rear perspective view of the stand supporting on a rear support a portable electronic tablet.
The broken lines in the drawings are for illustrative purposes only and form no part of the claimed design.

1 Claim, 5 Drawing Sheets



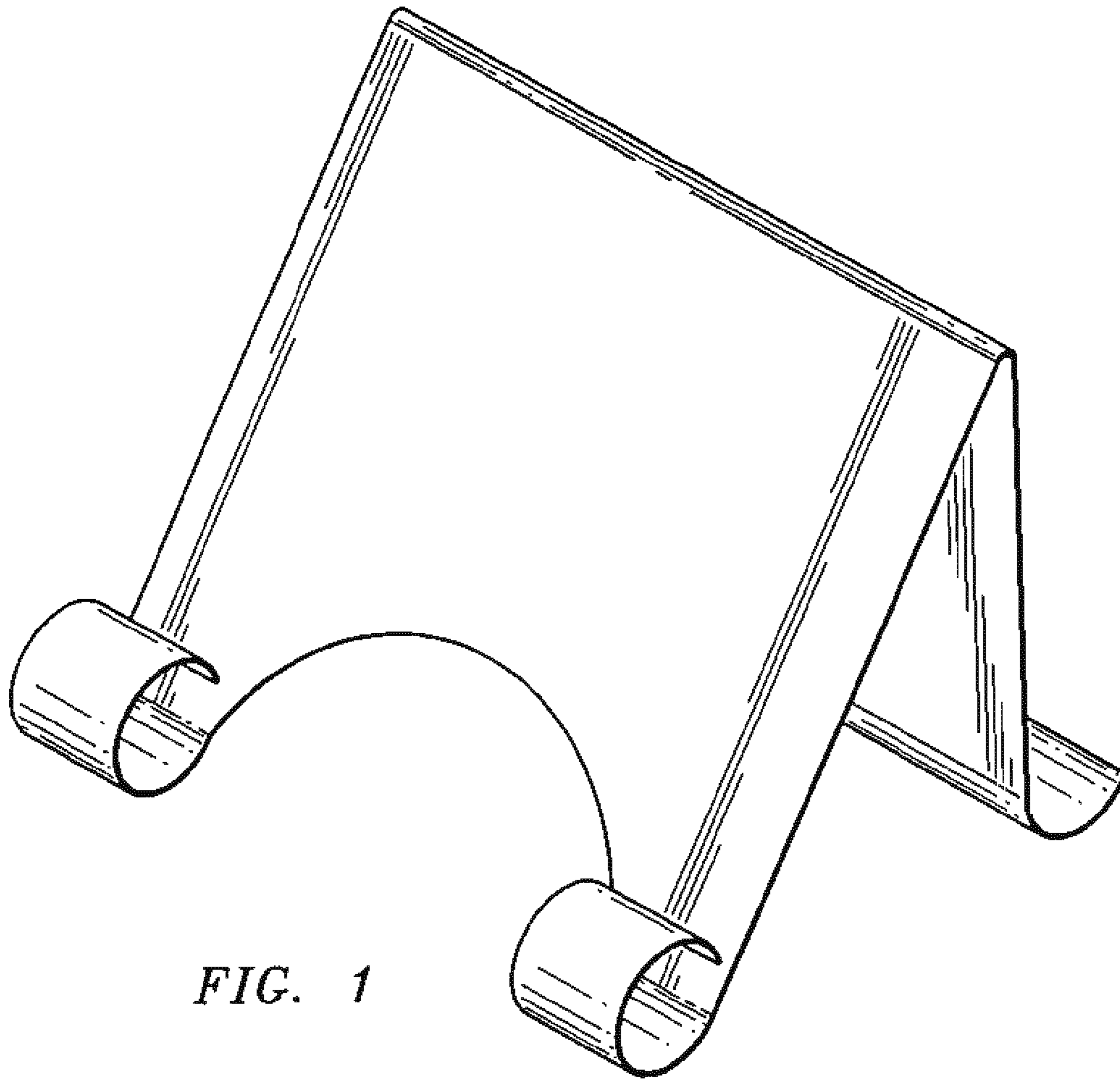


FIG. 1

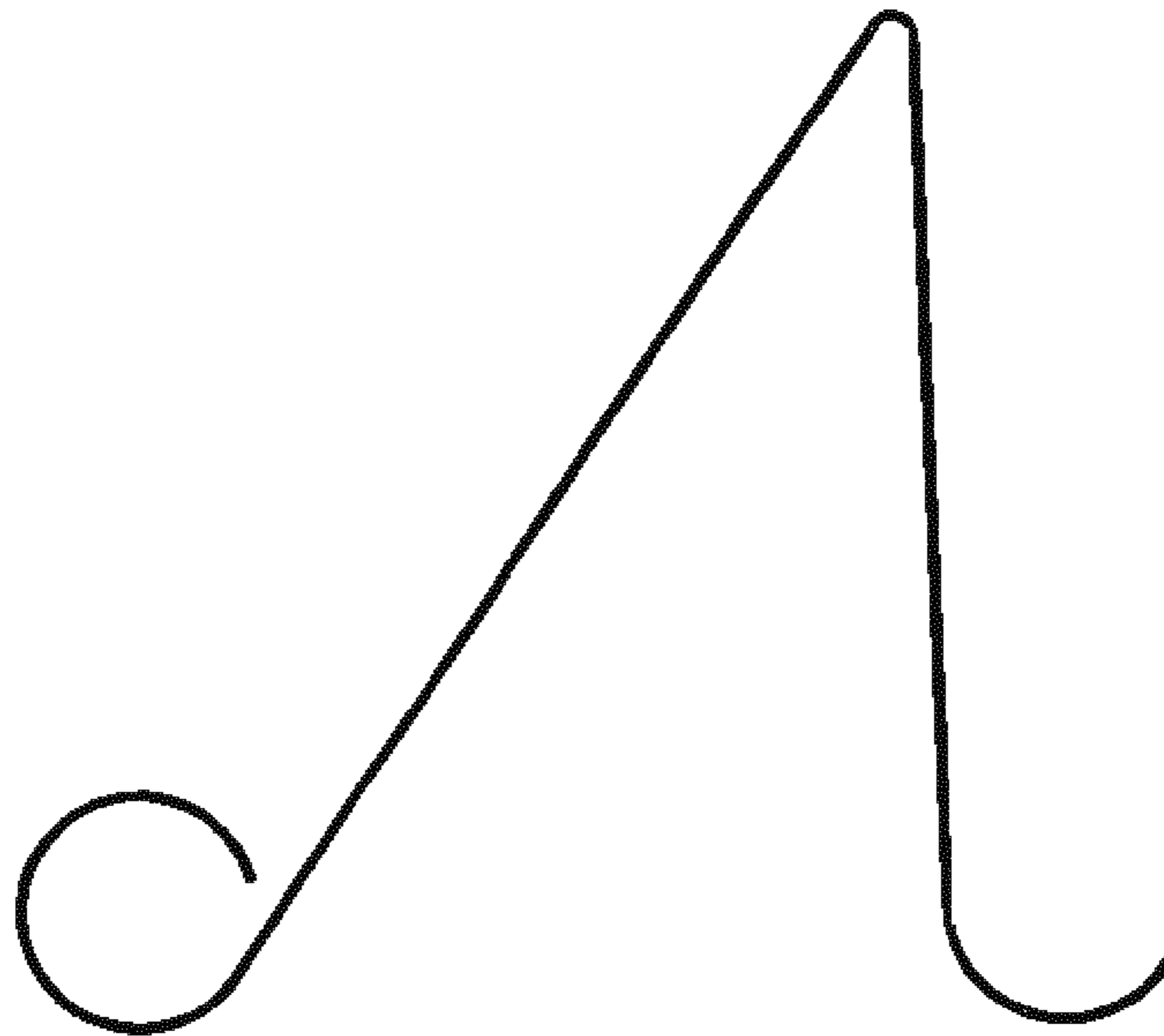


FIG. 2

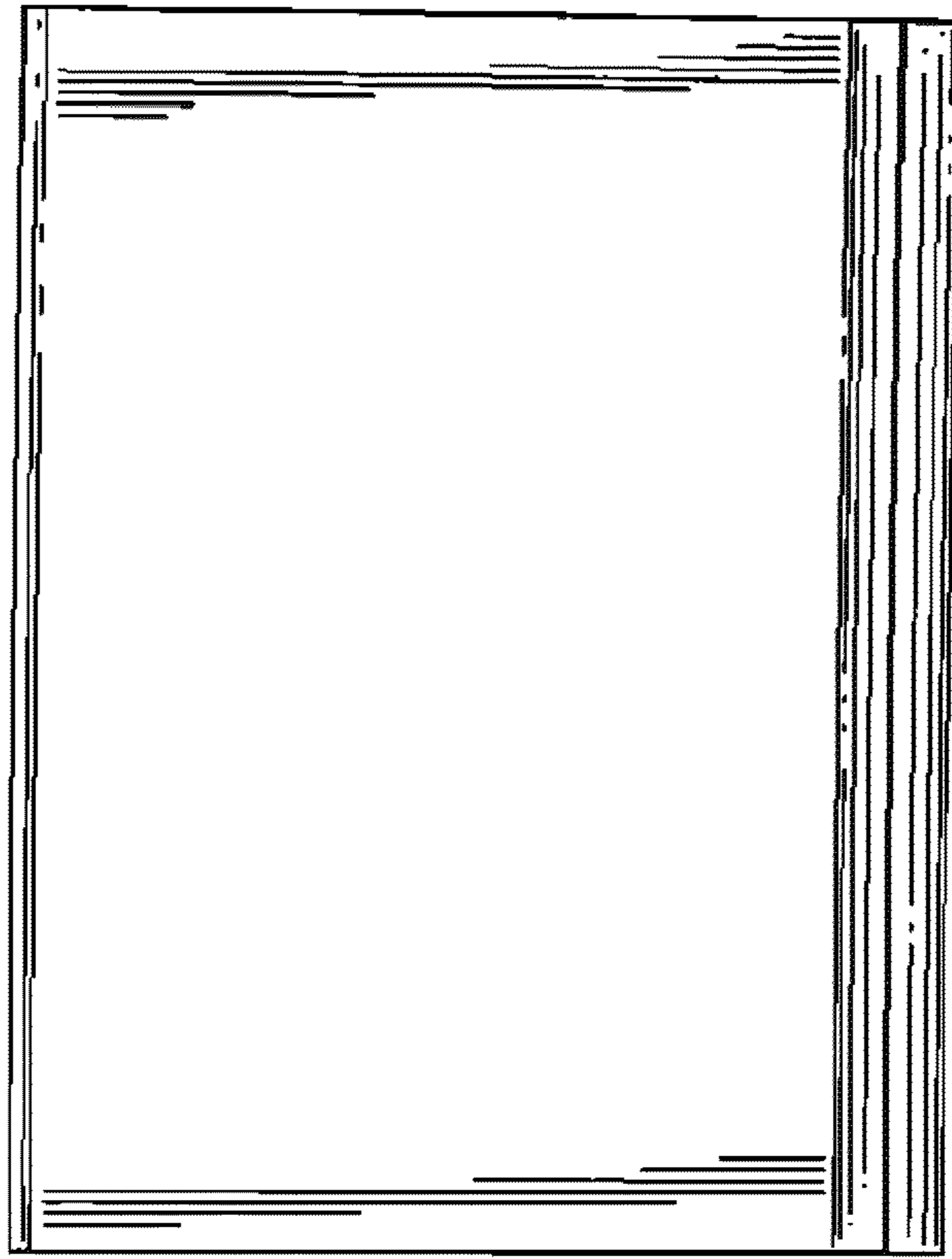


FIG. 4

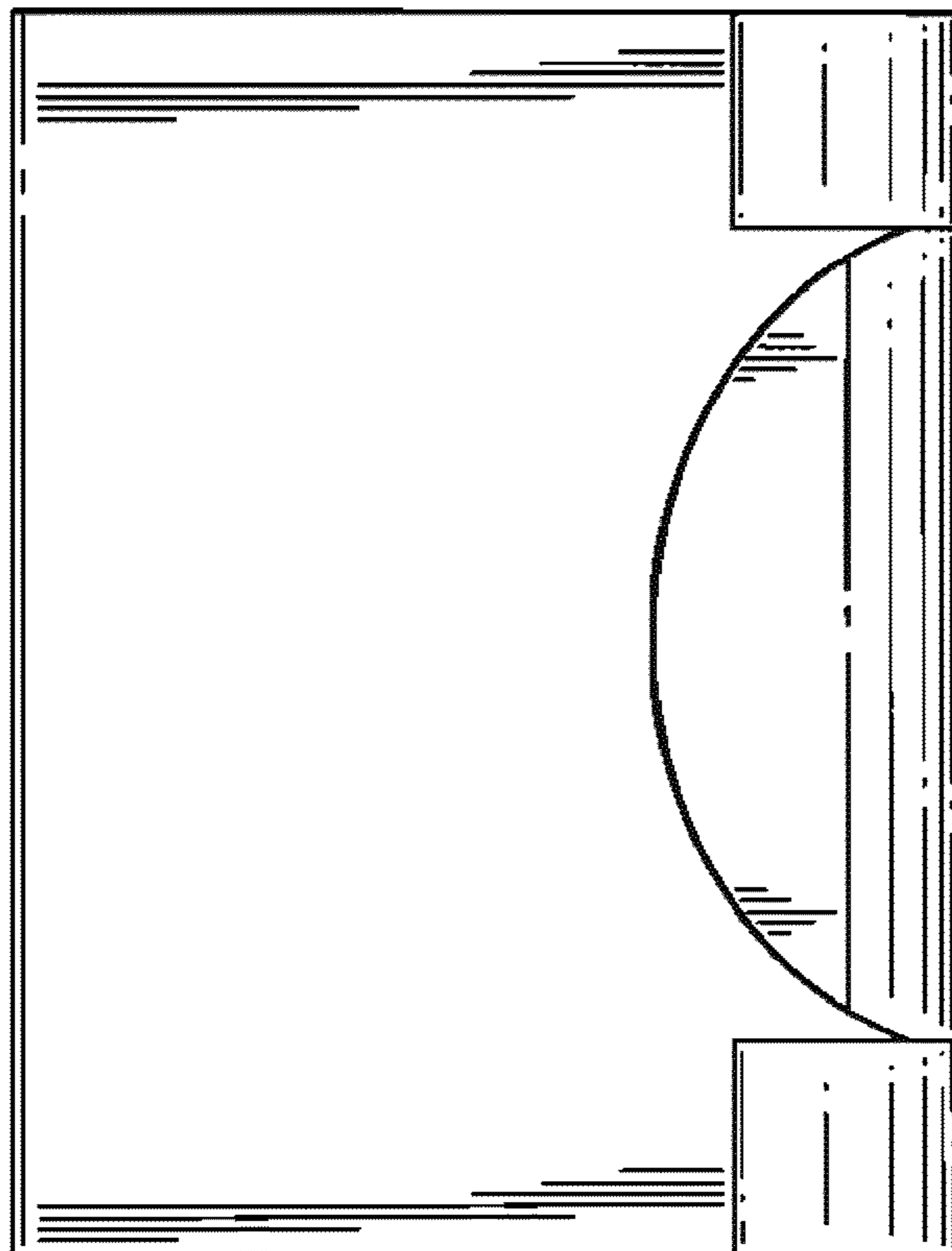


FIG. 3

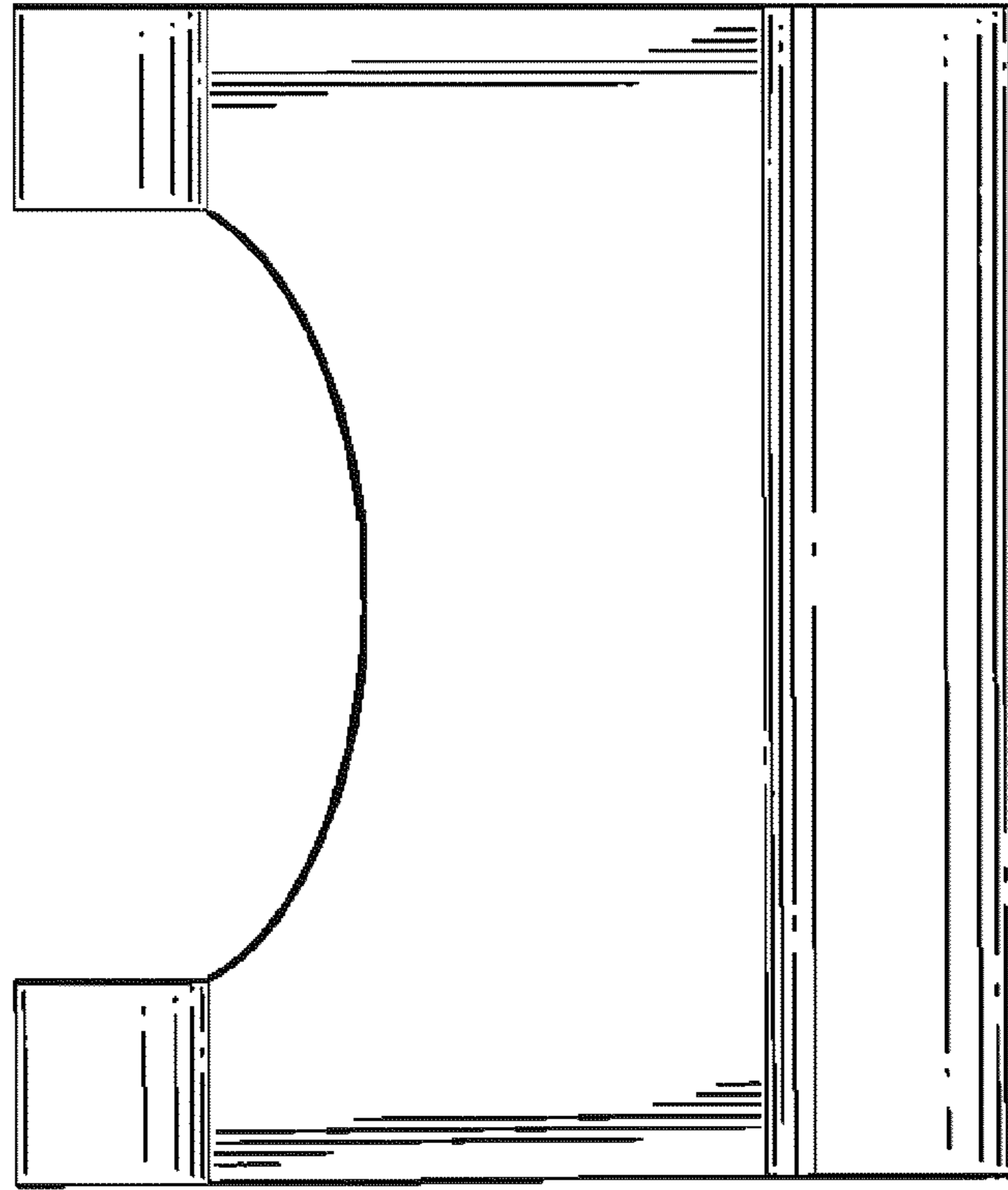


FIG. 6

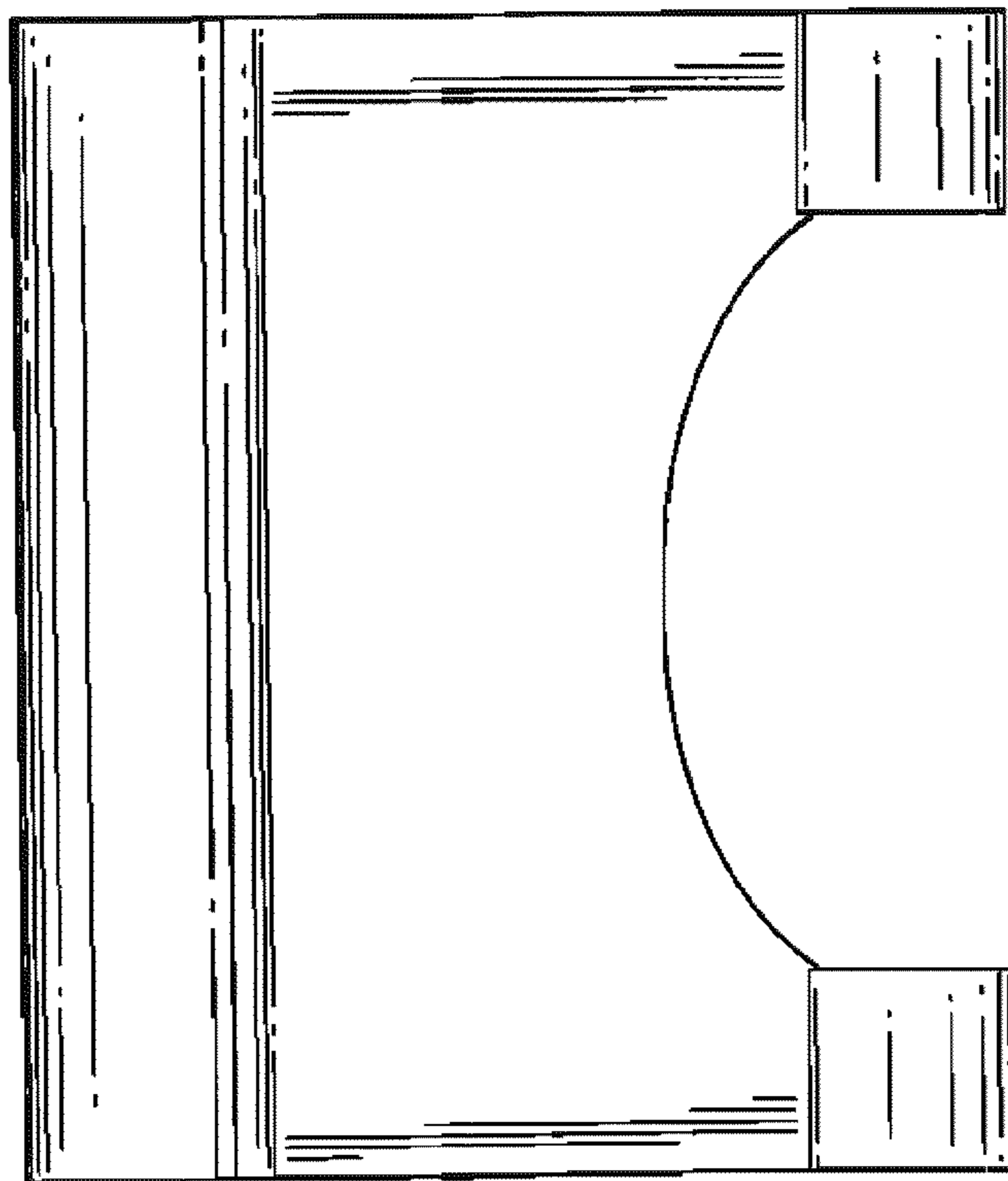


FIG. 5

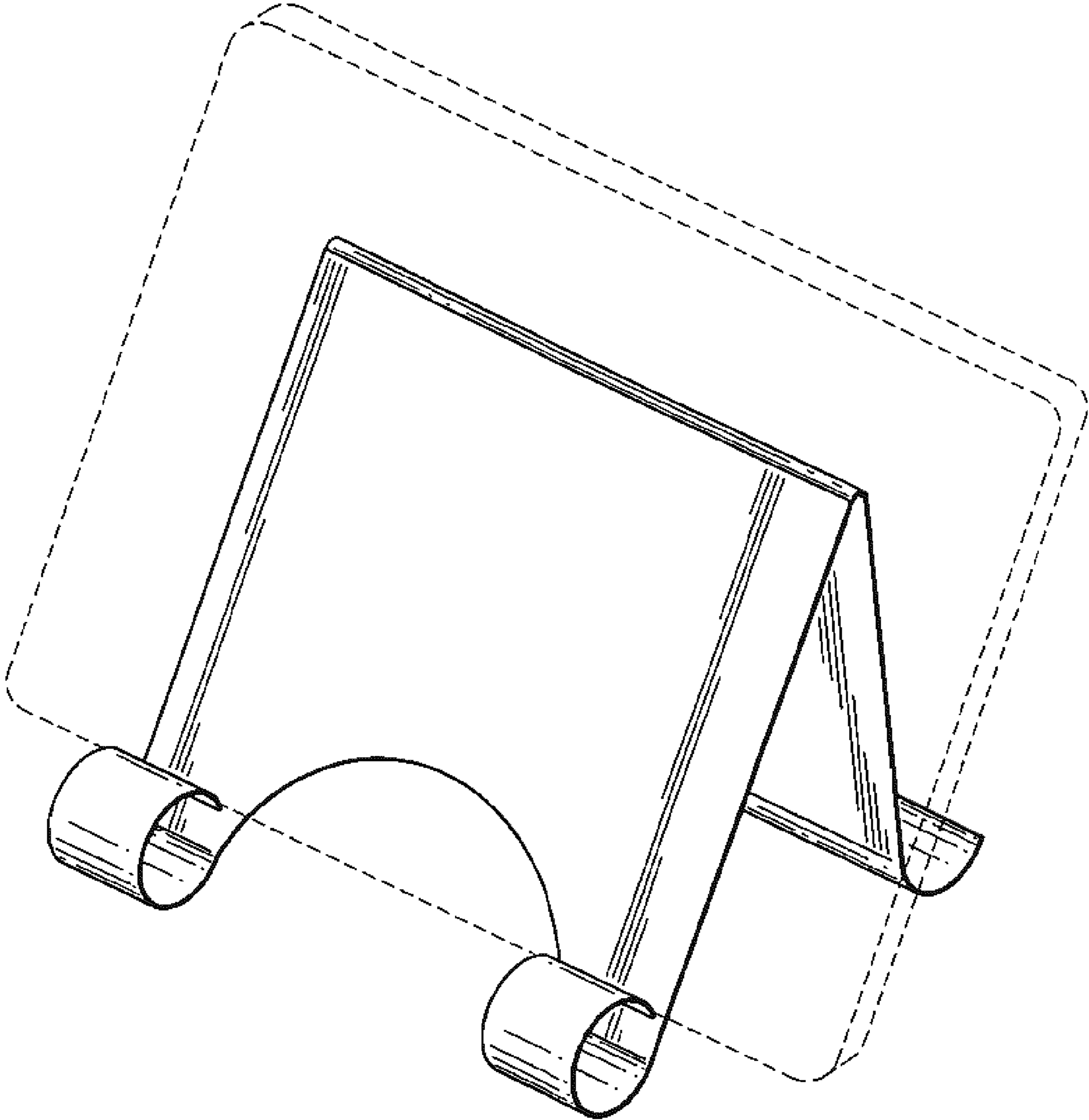


FIG. 7

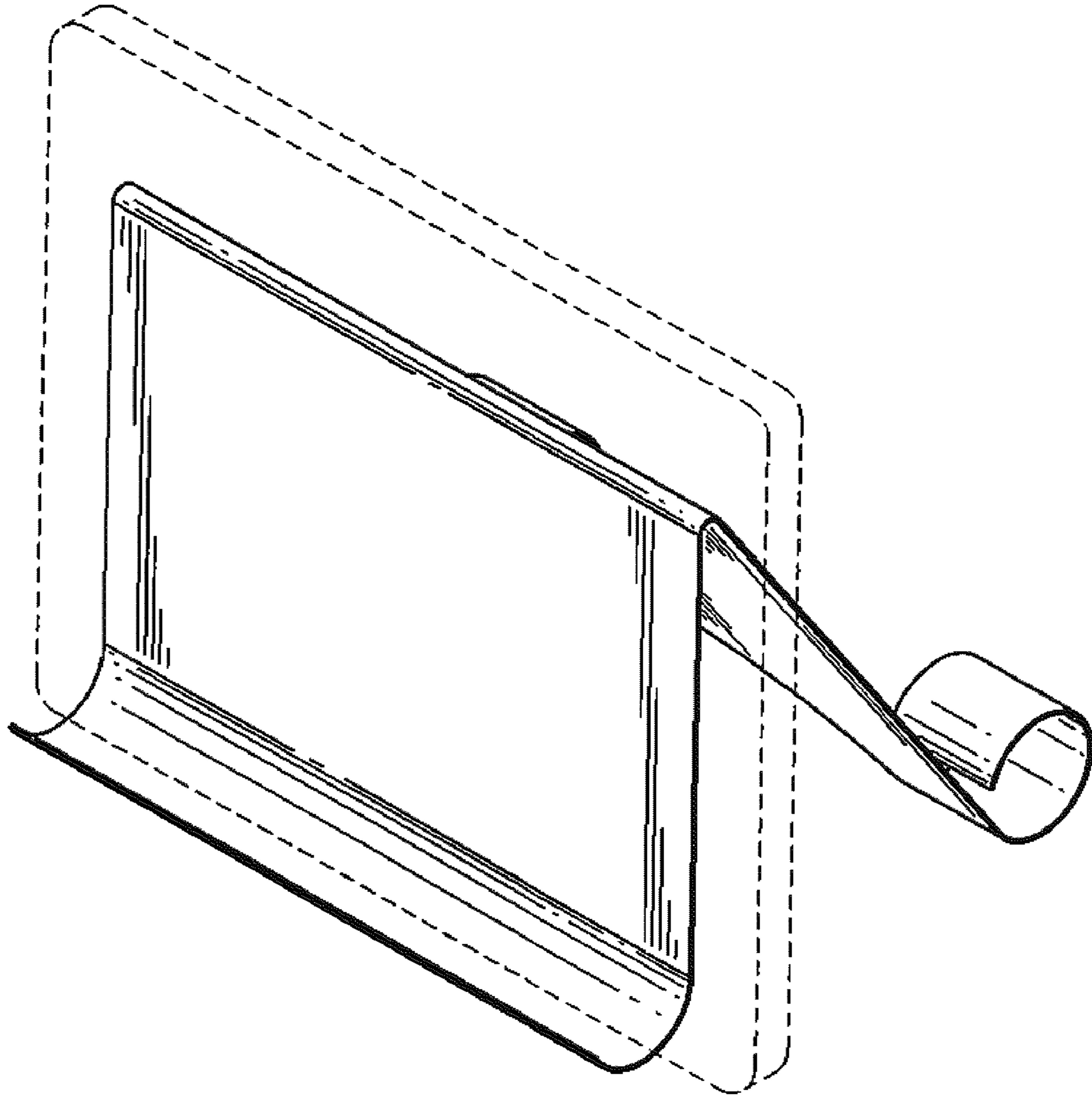


FIG. 8