



US00D646902S

(12) **United States Design Patent**
Woo et al.

(10) **Patent No.:** **US D646,902 S**
(45) **Date of Patent:** **** Oct. 18, 2011**

(54) **DIGITAL PICTURE FRAME**

(75) Inventors: **Sangsung Woo**, Seoul (KR); **Bumho Chun**, Seoul (KR); **Eunuae Shally Lee**, Seoul (KR)

(73) Assignee: **Samsung Electronics Co., Ltd.**, Suwon-Si (KR)

(**) Term: **14 Years**

(21) Appl. No.: **29/369,461**

(22) Filed: **Sep. 9, 2010**

(51) **LOC (9) Cl.** **06-07**

(52) **U.S. Cl.** **D6/308**

(58) **Field of Classification Search** D6/300-314;
D14/371, 372, 448, 449, 450, 374, 381, 382,
D14/336, 337, 250, 146, 341, 496, 331, 126,
D14/130, 203.7, 138 G; D20/10; D10/24,
D10/75, 2; 40/700, 768, 717, 714, 721, 735,
40/773; 428/138; 206/454

See application file for complete search history.

(56) **References Cited**

U.S. PATENT DOCUMENTS

D558,460 S *	1/2008	Yu et al.	D6/308
D577,206 S *	9/2008	Chang et al.	D6/300
D579,983 S *	11/2008	Milne et al.	D20/39
D584,738 S *	1/2009	Kim et al.	D14/496
D585,399 S *	1/2009	Hwang	D14/130

D598,426 S *	8/2009	Kim et al.	D14/203.7
D599,791 S *	9/2009	Kuang et al.	D14/314
D600,672 S *	9/2009	Kim et al.	D14/203.7
D615,083 S *	5/2010	Andre et al.	D14/341
D624,896 S *	10/2010	Park et al.	D14/138 G
D630,630 S *	1/2011	Andre et al.	D14/341
D633,090 S *	2/2011	Andre et al.	D14/341
D638,814 S *	5/2011	Sutherland et al.	D14/138 G
D638,835 S *	5/2011	Akana et al.	D14/341
D639,805 S *	6/2011	Song et al.	D14/341
D640,663 S *	6/2011	Arnholt et al.	D14/138 G
D641,018 S *	7/2011	Lee et al.	D14/341

* cited by examiner

Primary Examiner — Philip S Hyder

Assistant Examiner — Sydney Buffalow

(74) *Attorney, Agent, or Firm* — Ladas & Parry LLP

(57) **CLAIM**

We claim the ornamental design for a digital picture frame, as shown.

DESCRIPTION

FIG. 1 is a front/right-side/top perspective view of a digital picture frame our new design;

FIG. 2 is a front-side elevational view thereof;

FIG. 3 is a rear-side elevational view thereof;

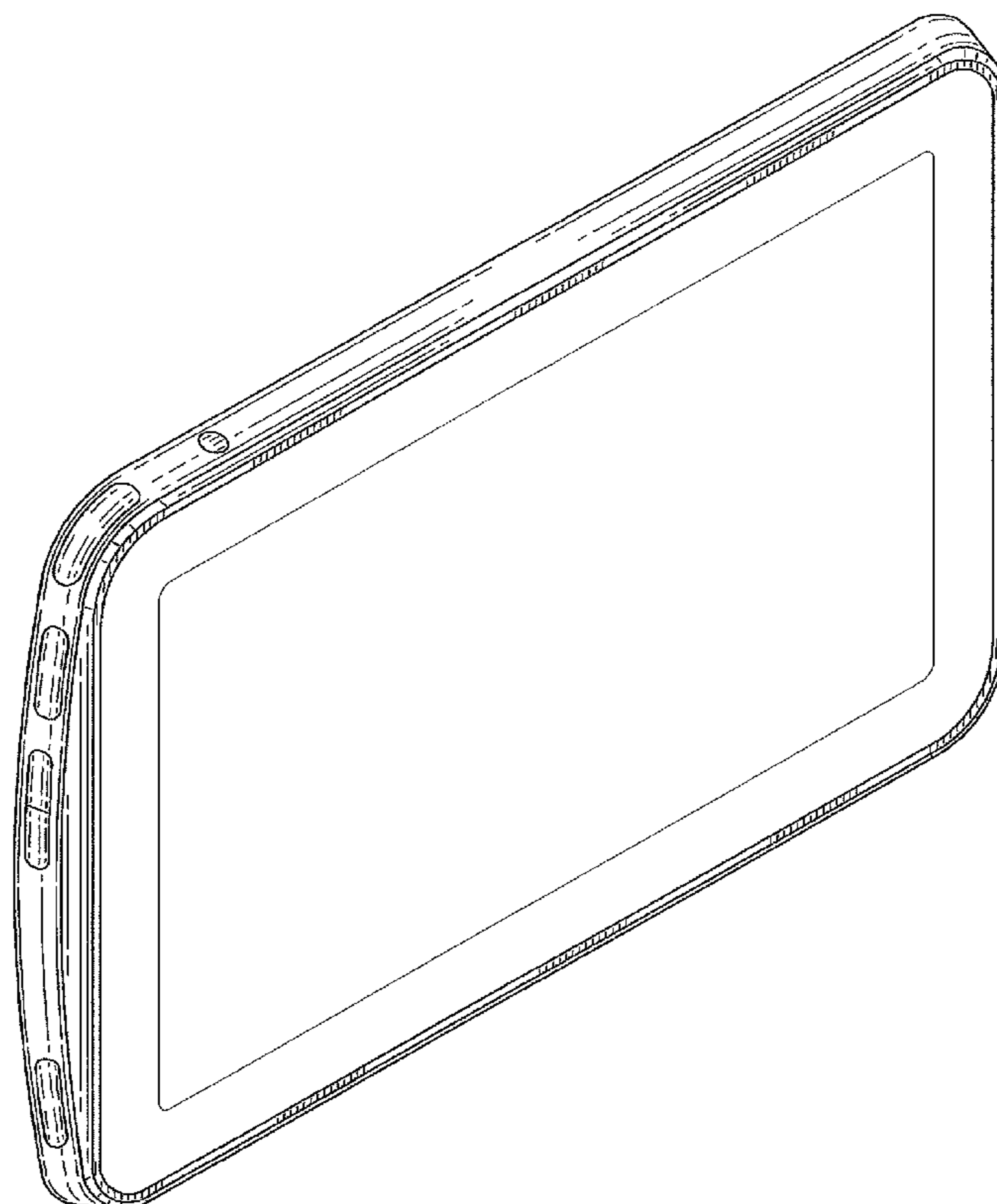
FIG. 4 is a left-side elevational view thereof;

FIG. 5 is a right-side elevational view thereof;

FIG. 6 is a top-side elevational view thereof; and,

FIG. 7 is a bottom-side elevational view thereof.

1 Claim, 6 Drawing Sheets



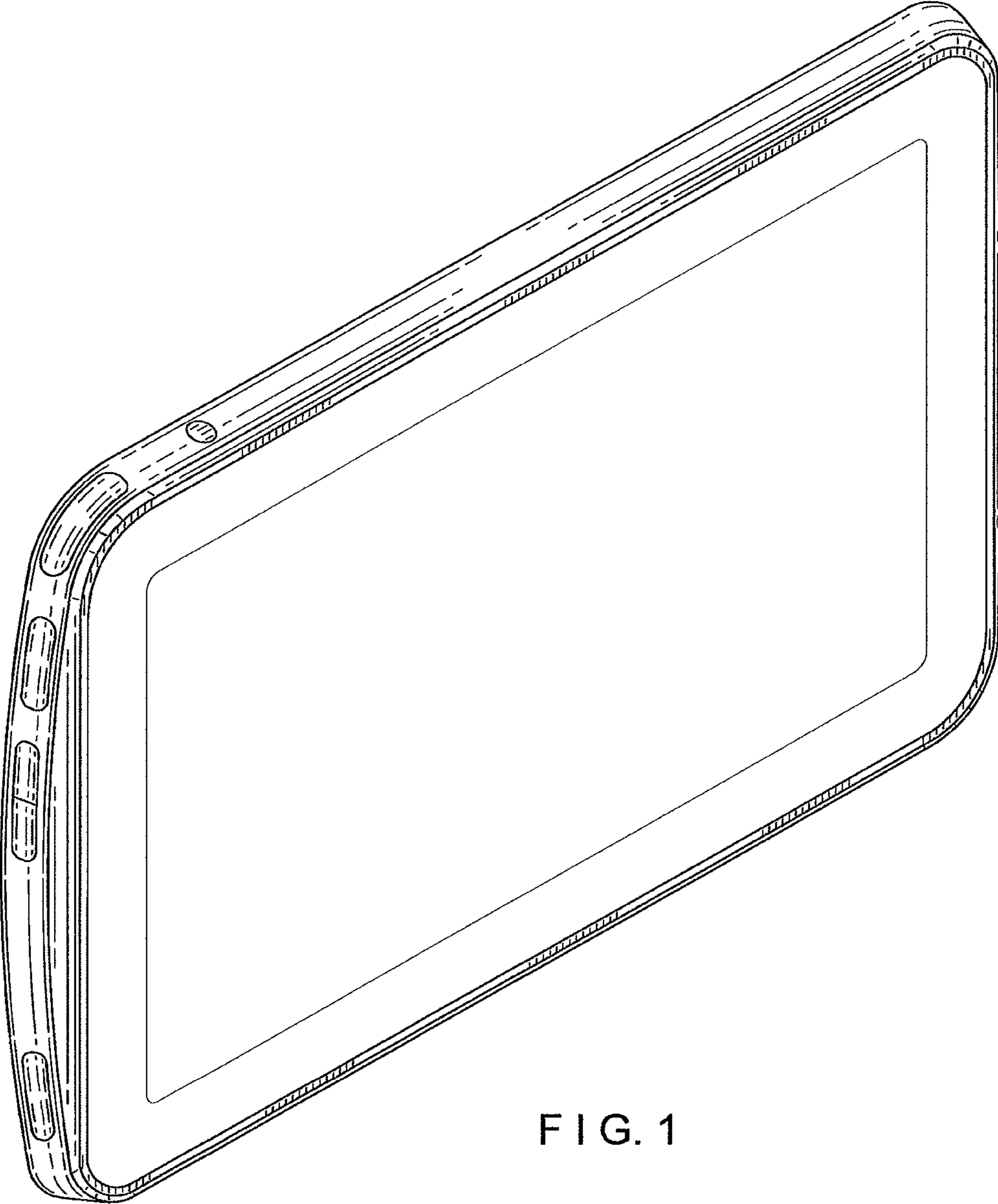


FIG. 1

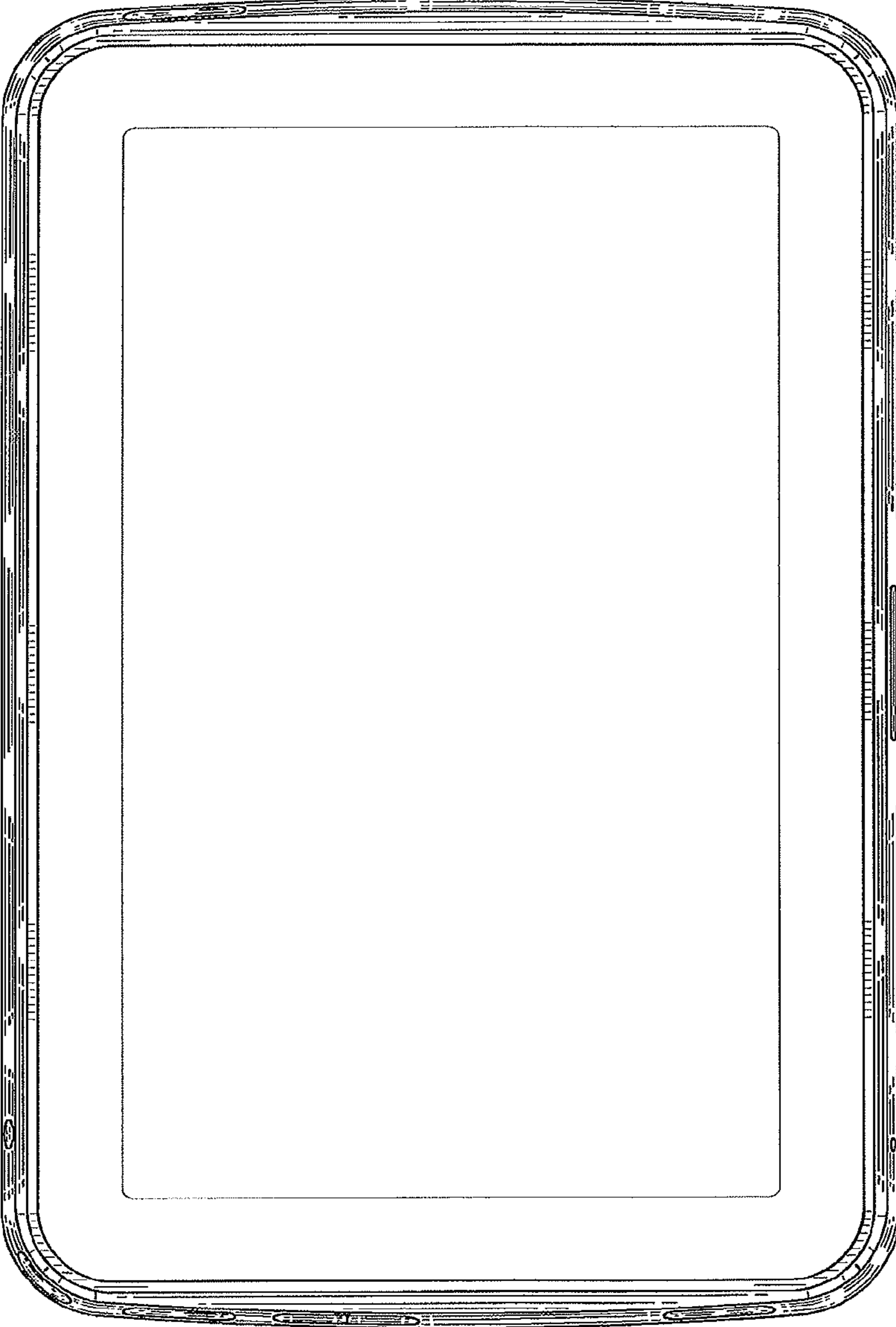


FIG. 2

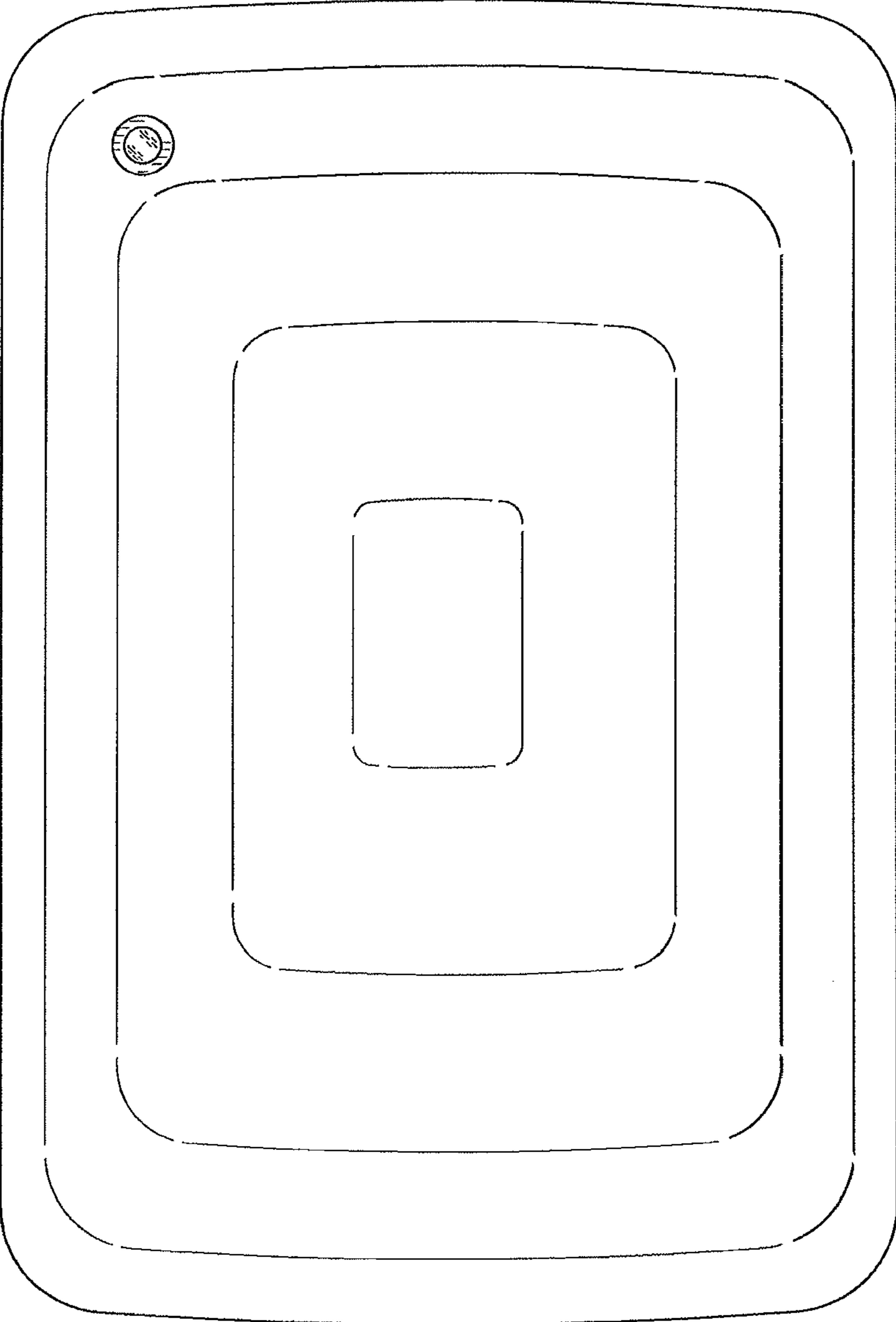


FIG. 3



FIG. 4



FIG. 5



FIG. 6



FIG. 7