



US00D646889S

(12) **United States Design Patent**  
**Coon**

(10) **Patent No.:** **US D646,889 S**

(45) **Date of Patent:** **\*\* Oct. 18, 2011**

(54) **ACCESORY HOLDER**

D553,353 S \* 10/2007 Karadimas ..... D3/221  
D604,947 S \* 12/2009 Smart et al. .... D3/224

(76) Inventor: **Michael P. Coon**, Royal Palm Beach, FL  
(US)

\* cited by examiner

(\*\*) Term: **14 Years**

*Primary Examiner* — Ralf Seifert

(74) *Attorney, Agent, or Firm* — Robert M. Schwartz

(21) Appl. No.: **29/343,894**

(57) **CLAIM**

The ornamental design of an accessory holder, as shown and described.

(22) Filed: **Sep. 21, 2009**

**DESCRIPTION**

(51) **LOC (9) Cl.** ..... **03-01**

(52) **U.S. Cl.** ..... **D3/224**

(58) **Field of Classification Search** ..... D3/215,  
D3/221, 260, 201, 231, 254, 269, 274, 318,  
D3/327, 328, 224; 43/4, 54.1; 269/907  
See application file for complete search history.

FIG. 1 is a perspective view of the present invention

FIG. 2 is a front view of the present invention.

FIG. 3 is a rear view of the present invention.

FIG. 4 is a bottom view of the present invention.

FIG. 5 is a top view of the present invention.

FIG. 6 is a right side view of the present invention; and,

FIG. 7 is a left side view of the present invention.

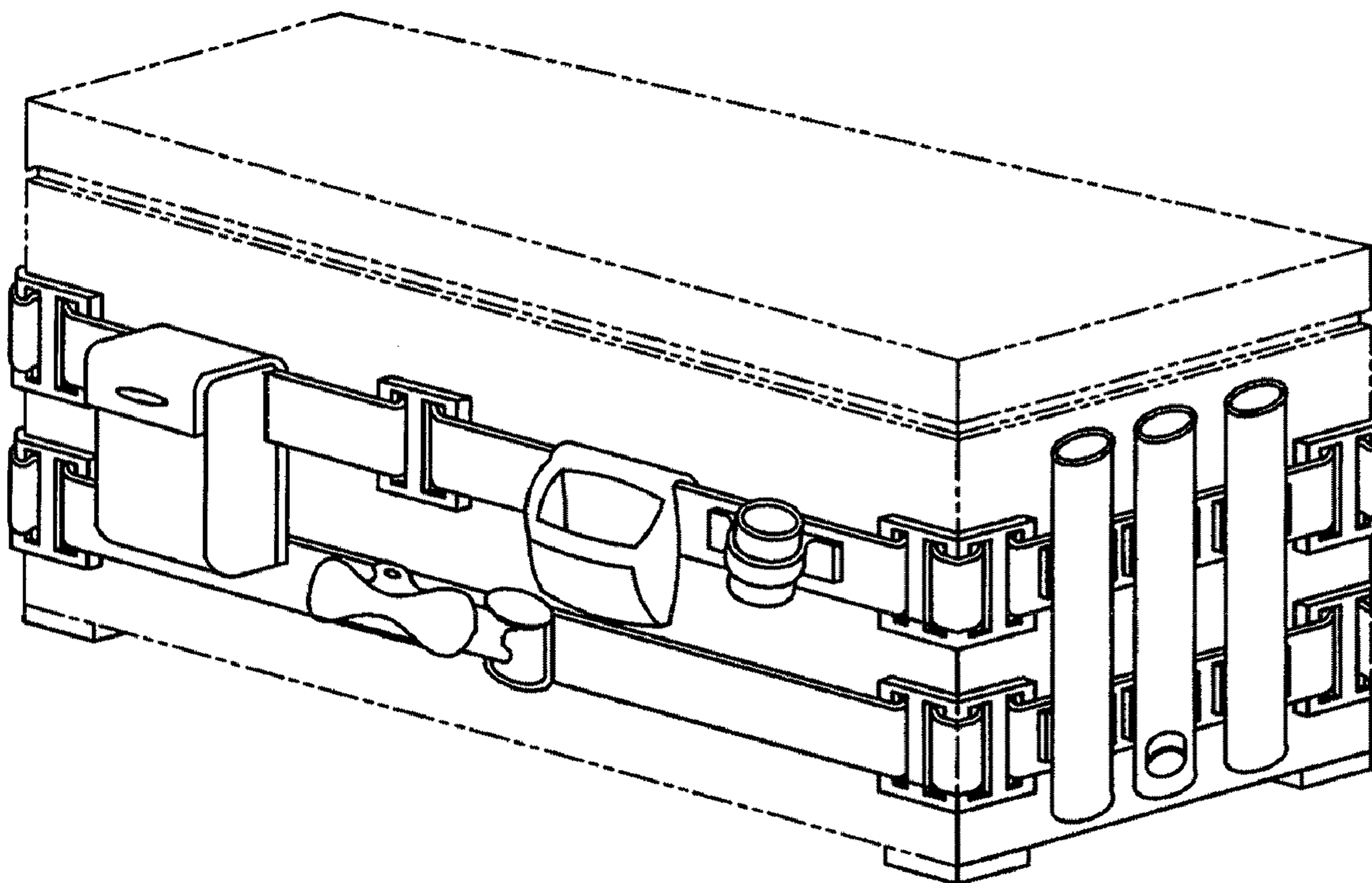
The broken line showing of a box is included for the purpose of illustrating environmental matter and forms no part of the claimed design.

(56) **References Cited**

**U.S. PATENT DOCUMENTS**

D208,178 S \* 7/1967 Meyer ..... D7/339  
D371,456 S \* 7/1996 Champlin et al. .... D3/224  
5,938,023 A \* 8/1999 Herron et al. .... 206/315.11

**1 Claim, 4 Drawing Sheets**



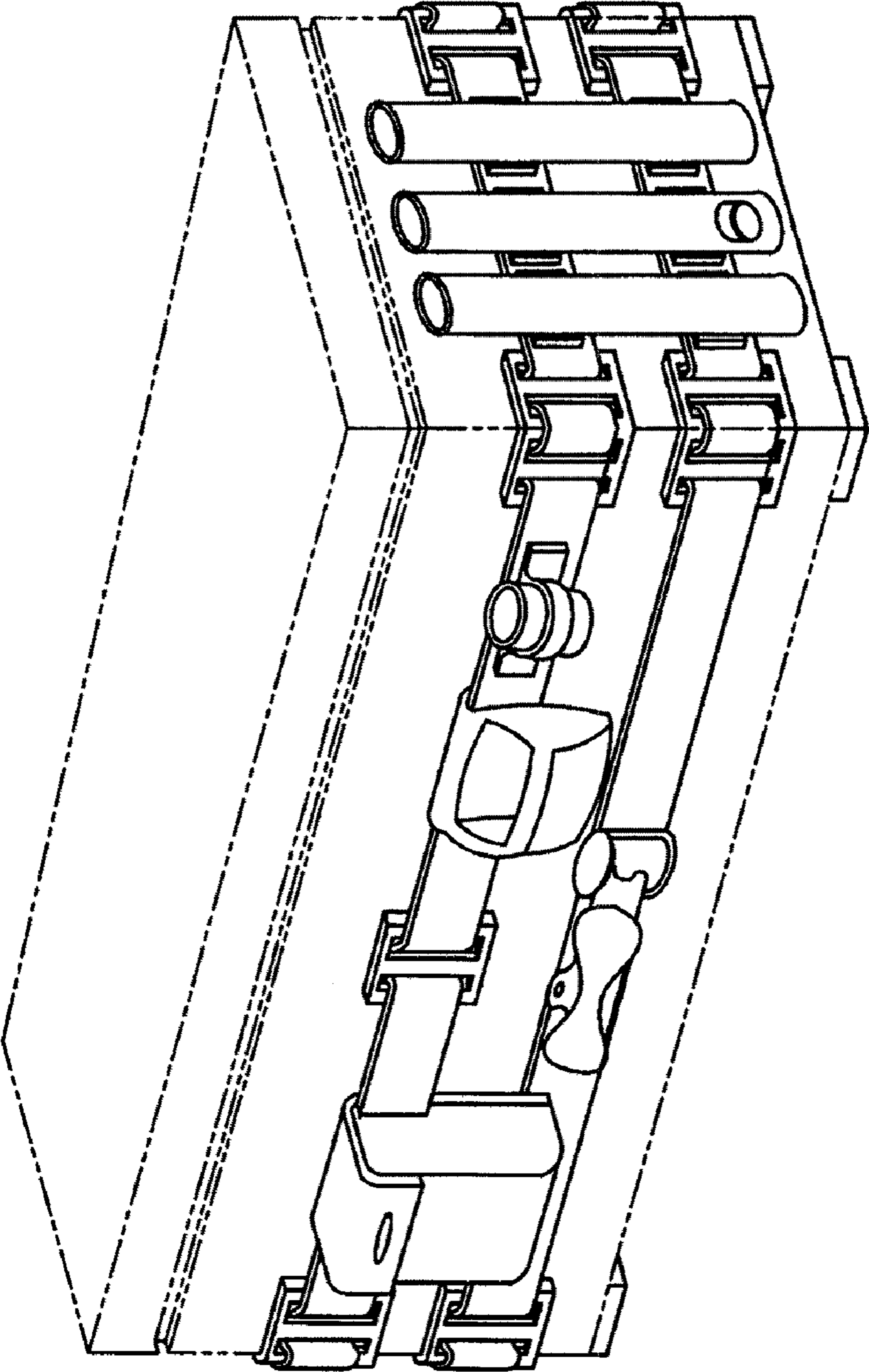


FIG.1

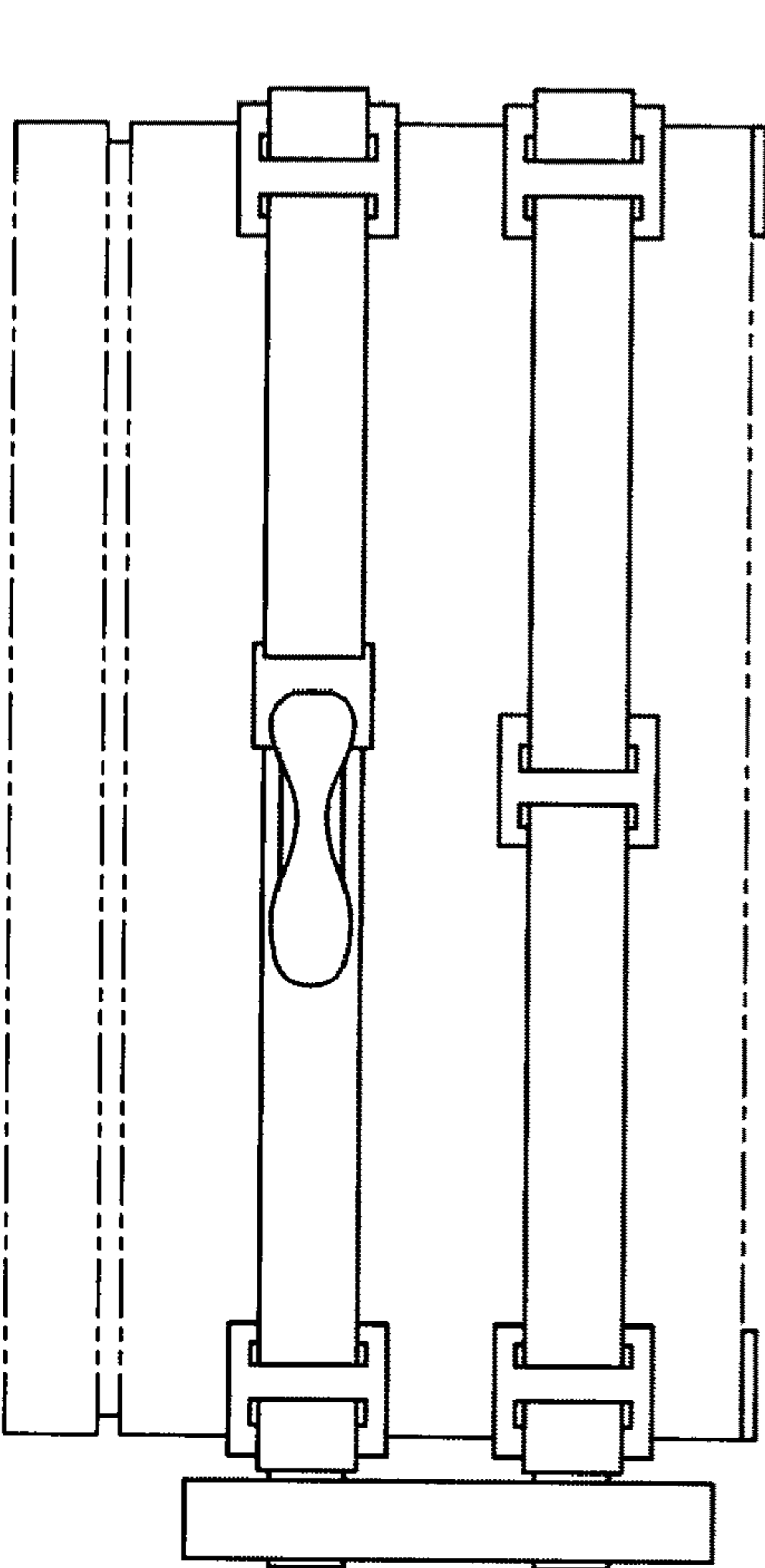


FIG. 3

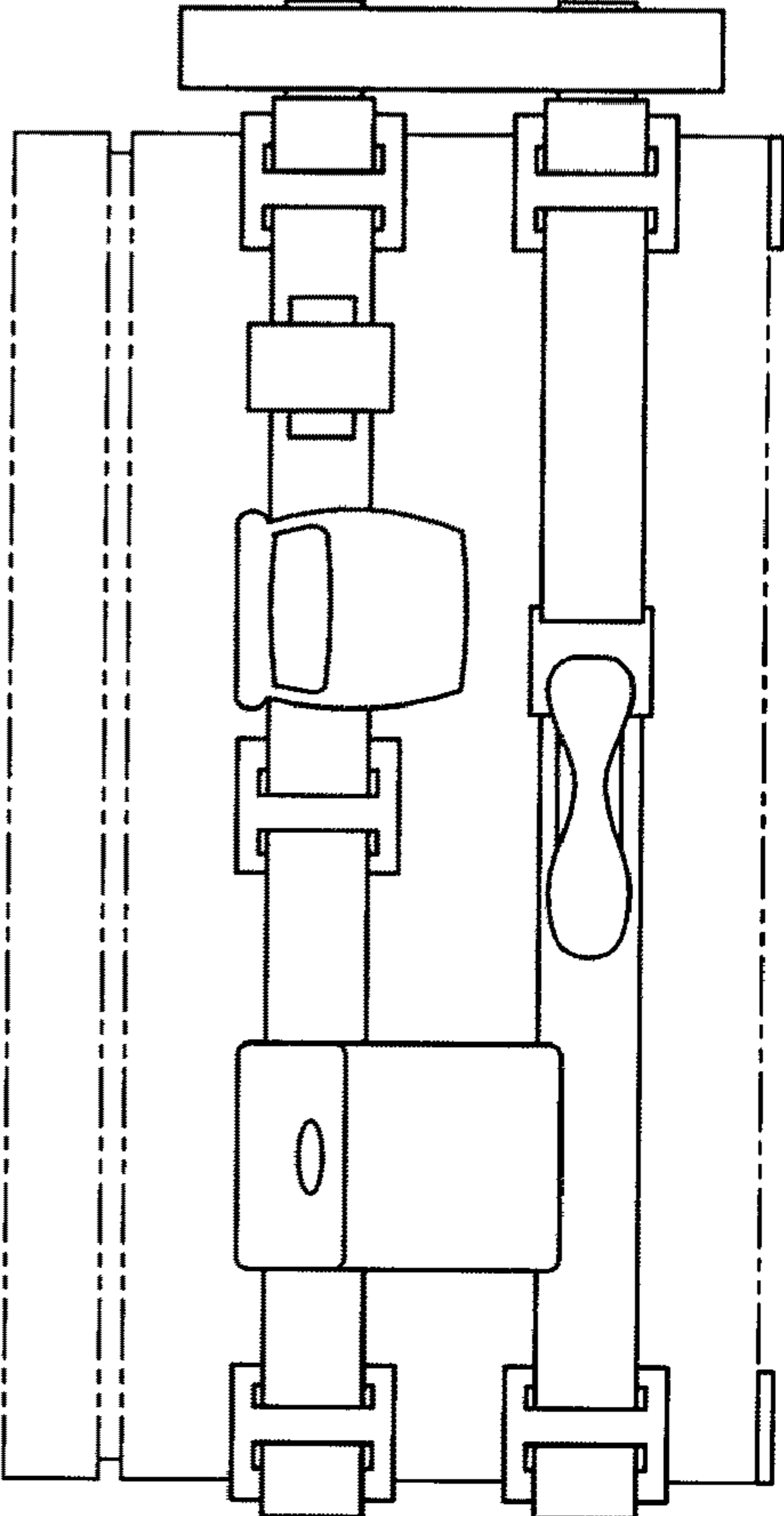


FIG. 2

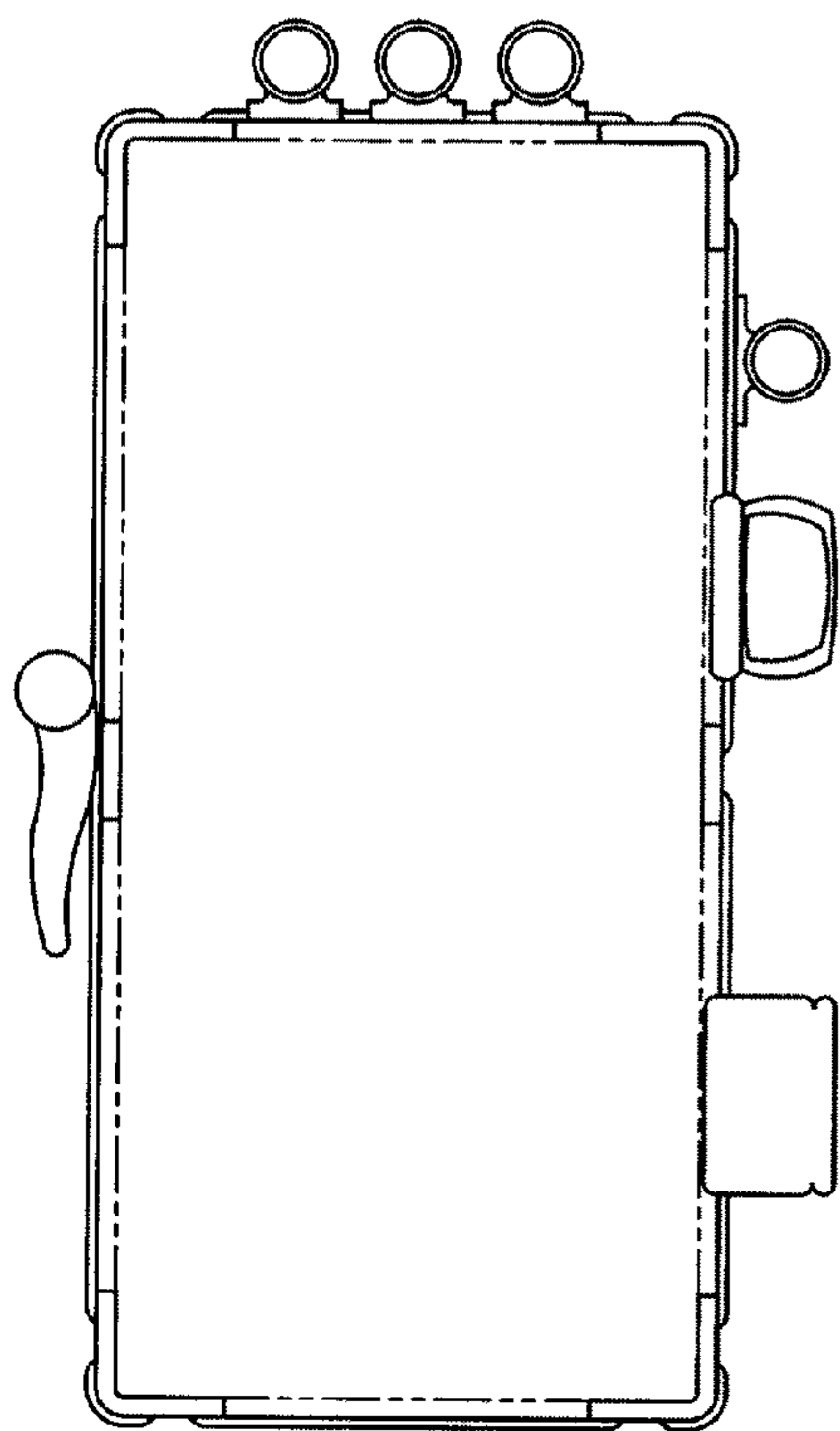


FIG. 5

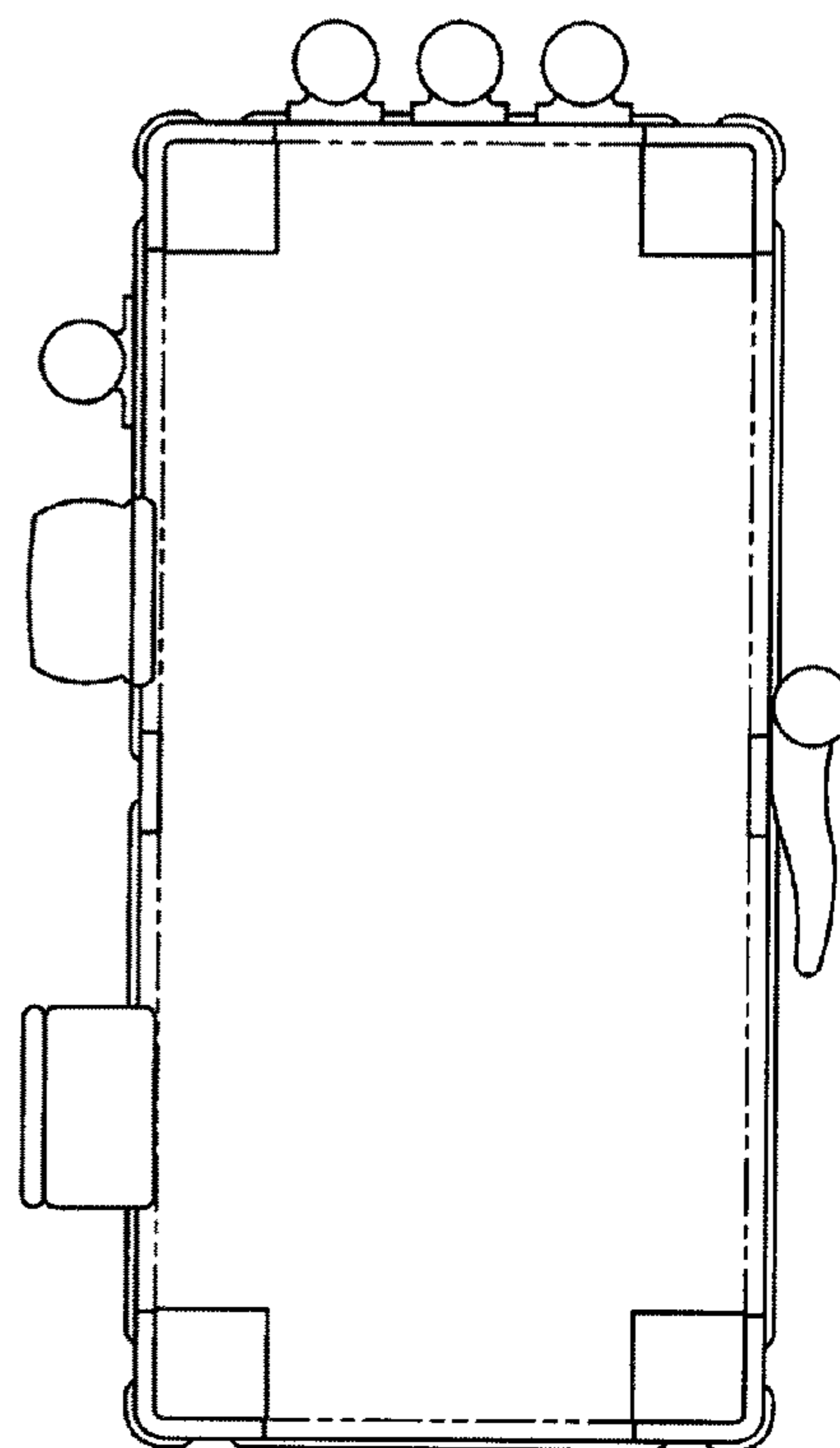


FIG. 4



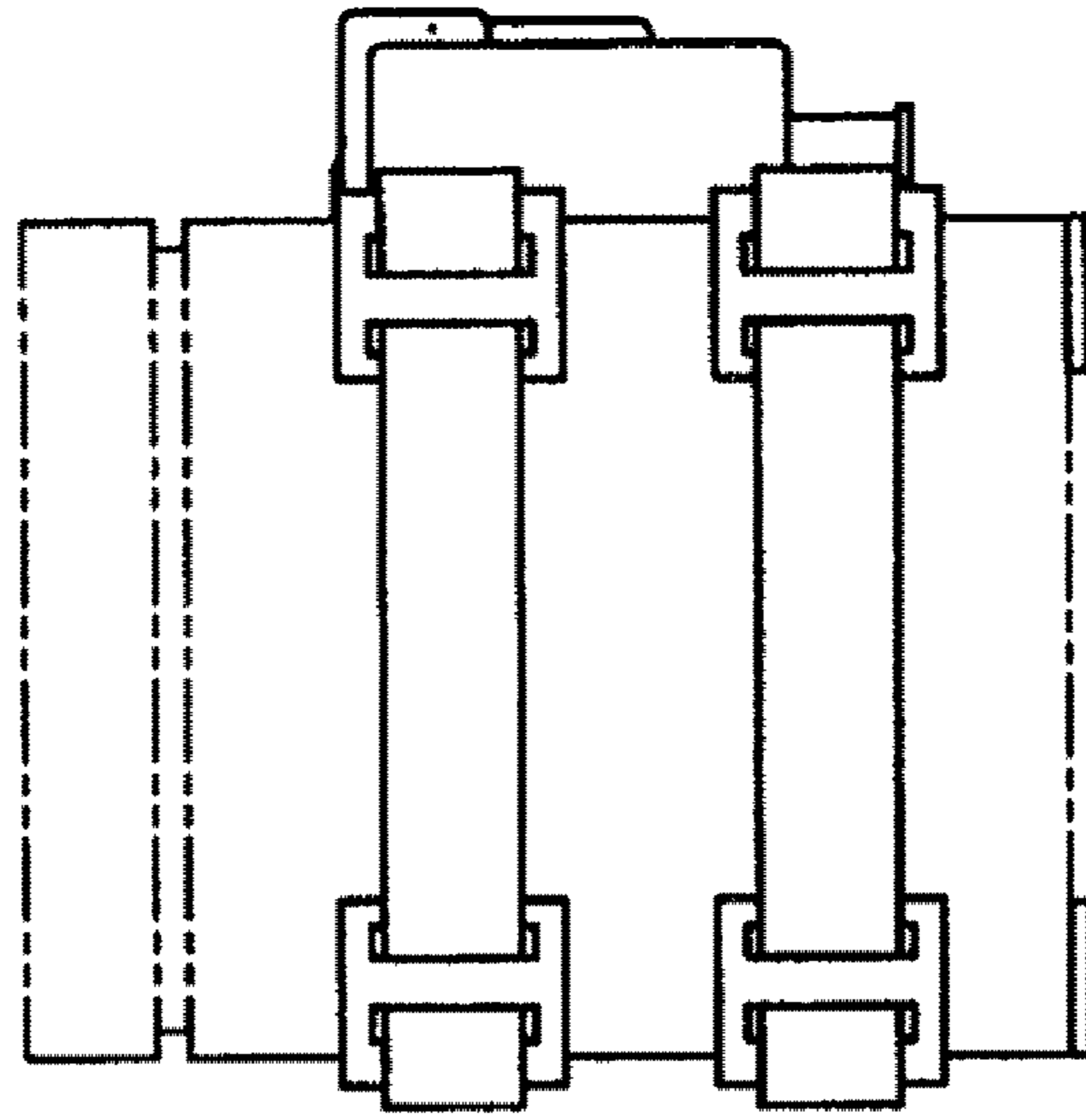


FIG. 7

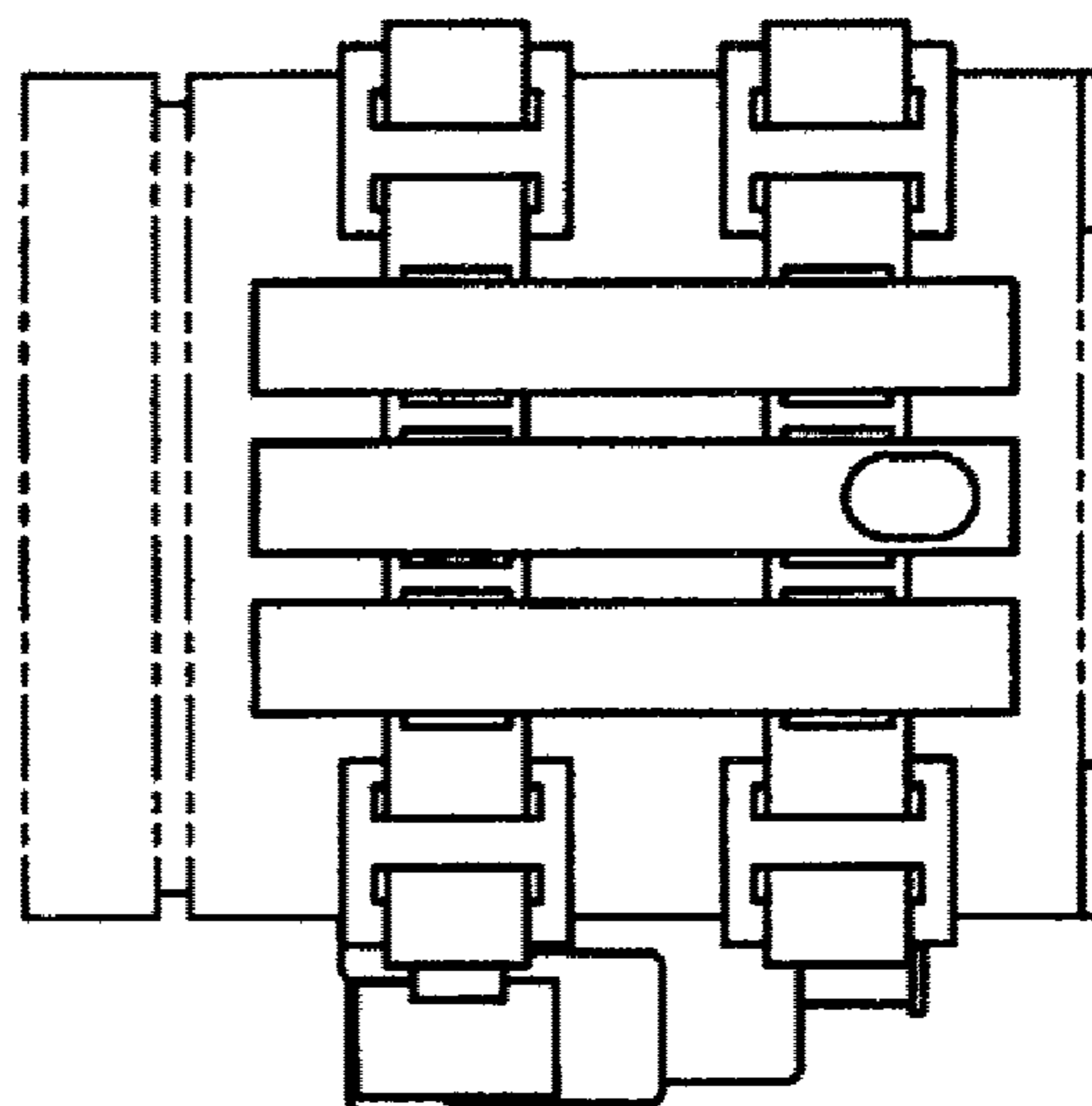


FIG. 6