



US00D646888S

(12) **United States Design Patent**  
**Kieswetter**

(10) **Patent No.:** **US D646,888 S**

(45) **Date of Patent:** **\*\* Oct. 18, 2011**

- (54) **KEY RING AND COMPARTMENT COMBINATION**
- (76) Inventor: **Carl A. Kieswetter**, Woodstock (CA)
- (\*\*) Term: **14 Years**
- (21) Appl. No.: **29/380,731**
- (22) Filed: **Dec. 10, 2010**
- (51) **LOC (9) Cl.** ..... **03-01**
- (52) **U.S. Cl.** ..... **D3/208**
- (58) **Field of Classification Search** ..... D11/1-2,  
D11/14, 26-29, 89-92, 44, 48, 81, 99; 63/26-28,  
63/32; D3/207-212; D8/38; 70/456 B;  
206/37-38, 37.1, 37.4; D9/429, 715, 722,  
D9/527-529, 418; 40/463  
See application file for complete search history.

(56) **References Cited**

**U.S. PATENT DOCUMENTS**

692,173	A *	1/1902	Wilber	.....	40/660
D114,210	S *	4/1939	Florman	.....	D3/209
D121,541	S *	7/1940	Lipic, Jr.	.....	D3/208
D129,716	S *	9/1941	Trollen	.....	D3/208
D156,228	S *	11/1949	Gaudriot	.....	D3/208
D185,015	S *	4/1959	Maybrun	.....	D3/300
D243,975	S *	4/1977	Persson	.....	D3/300
4,129,228	A	12/1978	Stoneback		
4,333,562	A *	6/1982	Todd	.....	206/37
4,420,076	A *	12/1983	Beveridge et al.	.....	206/37
4,519,497	A	5/1985	Brinkers		
5,058,405	A	10/1991	Stillwagon		
5,076,301	A	12/1991	Sulskis		
5,209,090	A	5/1993	Stillwagon		
D346,119	S *	4/1994	Weinstock	.....	D10/31
D347,297	S *	5/1994	Vesco	.....	D28/77
D384,254	S *	9/1997	Johnson	.....	D8/14
D409,830	S *	5/1999	Stafford	.....	D3/208

D433,225	S *	11/2000	Deiss et al.	.....	D3/203.2
D433,562	S *	11/2000	Redlinger	.....	D3/208
D446,006	S *	8/2001	Martin et al.	.....	D3/208
D465,709	S *	11/2002	Robinson	.....	D8/34
6,631,800	B1 *	10/2003	Keeven	.....	206/37
D489,171	S *	5/2004	Jackson	.....	D3/203.2
D570,724	S *	6/2008	Kittelsen	.....	D11/80
D586,252	S *	2/2009	Kittelsen	.....	D11/80
D602,247	S	10/2009	Oas		
D630,010	S *	1/2011	Brown	.....	D3/208

\* cited by examiner

*Primary Examiner* — Ralf Seifert

(57) **CLAIM**

The ornamental design for a key ring and compartment combination, as shown and described.

**DESCRIPTION**

FIG. 1 is a front elevated view of a key ring and compartment combination showing my new design, the area in phantom being for illustrative purposes and forming no portion of the claimed invention;

FIG. 2 is a rear elevated view of the key ring and compartment combination;

FIG. 3 is a right side elevated view of the key ring and compartment combination;

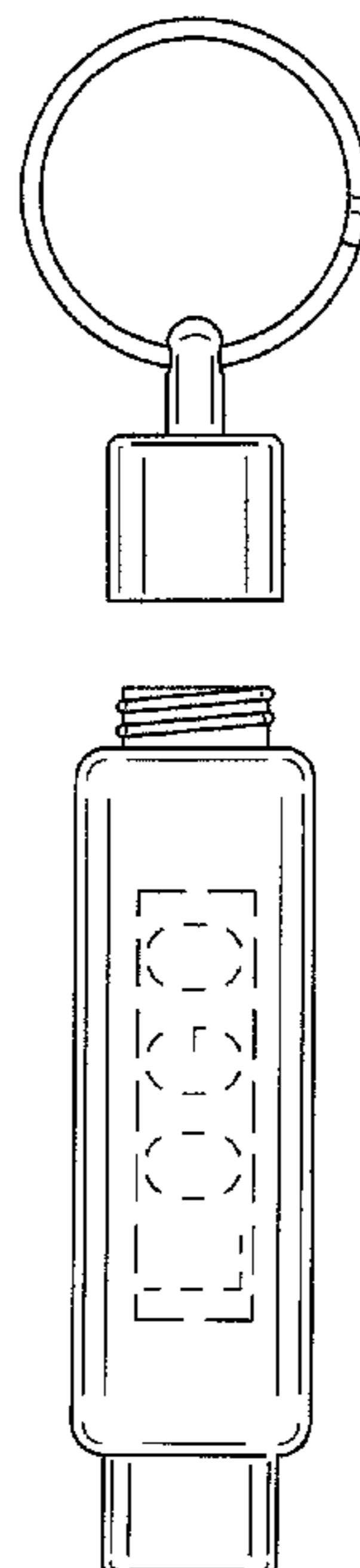
FIG. 4 is a left side view of the key ring and compartment combination;

FIG. 5 is a top plan view of the key ring and compartment combination; and,

FIG. 6 is a bottom plan view of the key ring and compartment combination.

The broken lines in FIGS. 5 and 6 are intended for the purpose of illustrating portions of the claim that form no part of the claimed design.

**1 Claim, 5 Drawing Sheets**



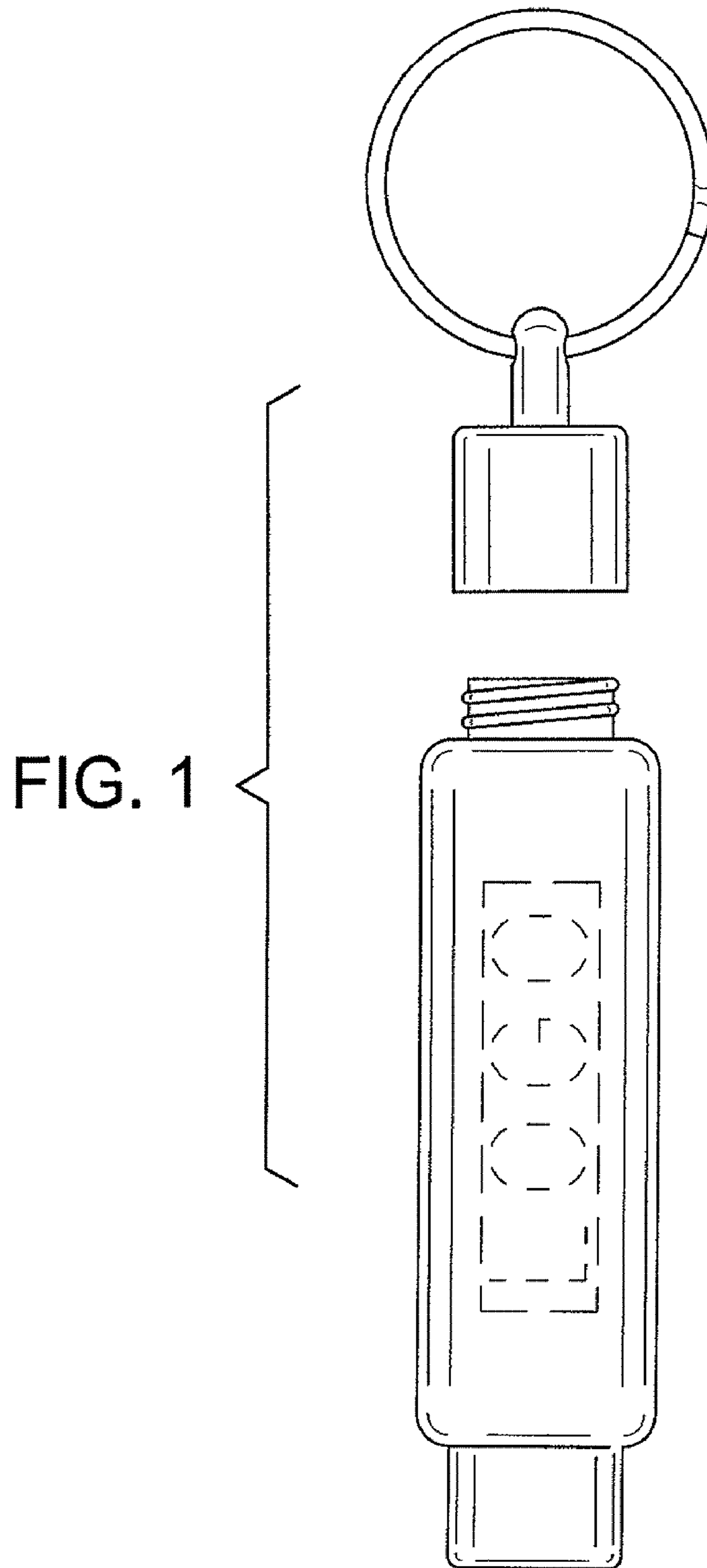


FIG. 2

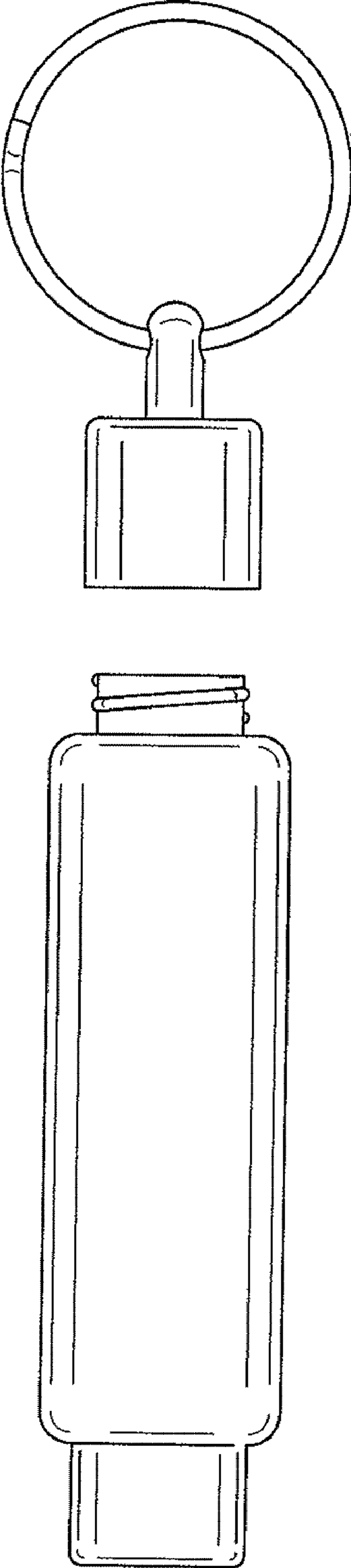


FIG. 3

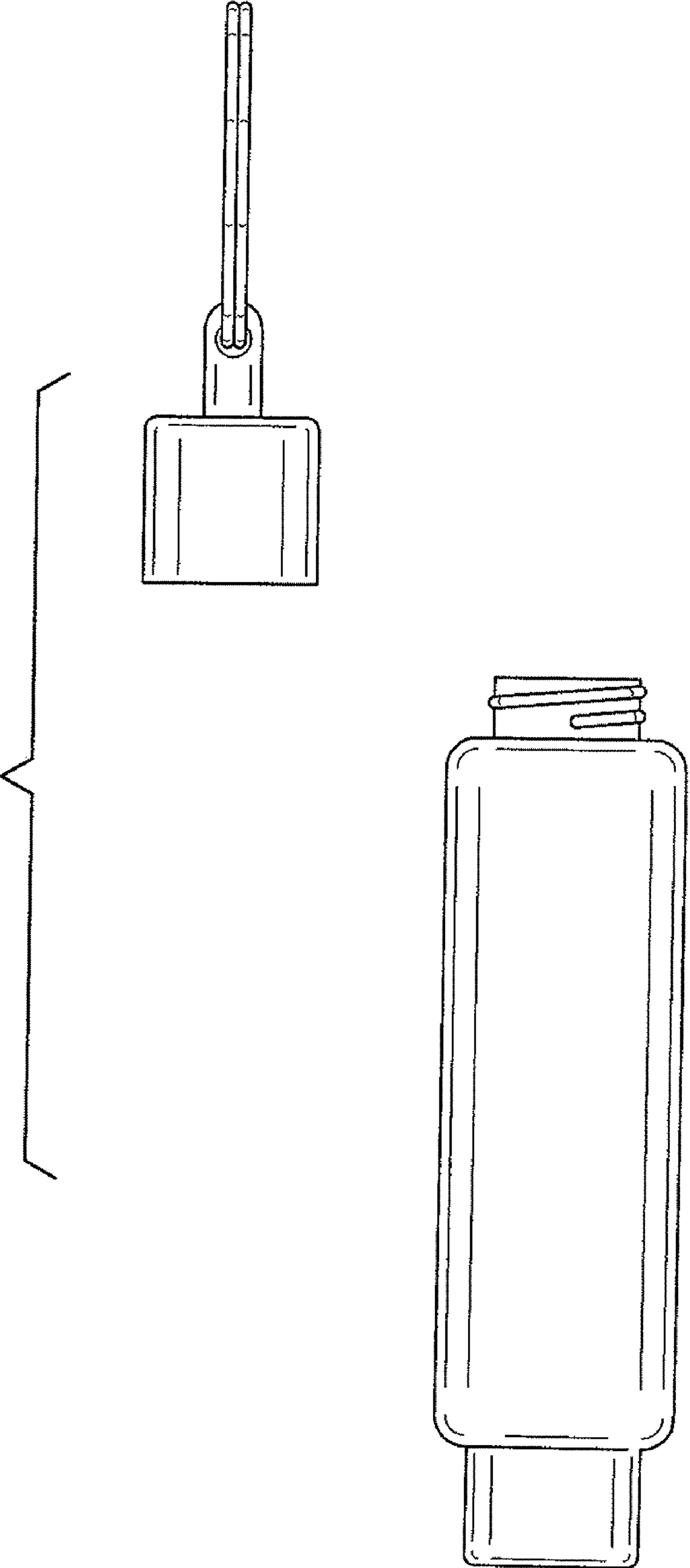


FIG. 4

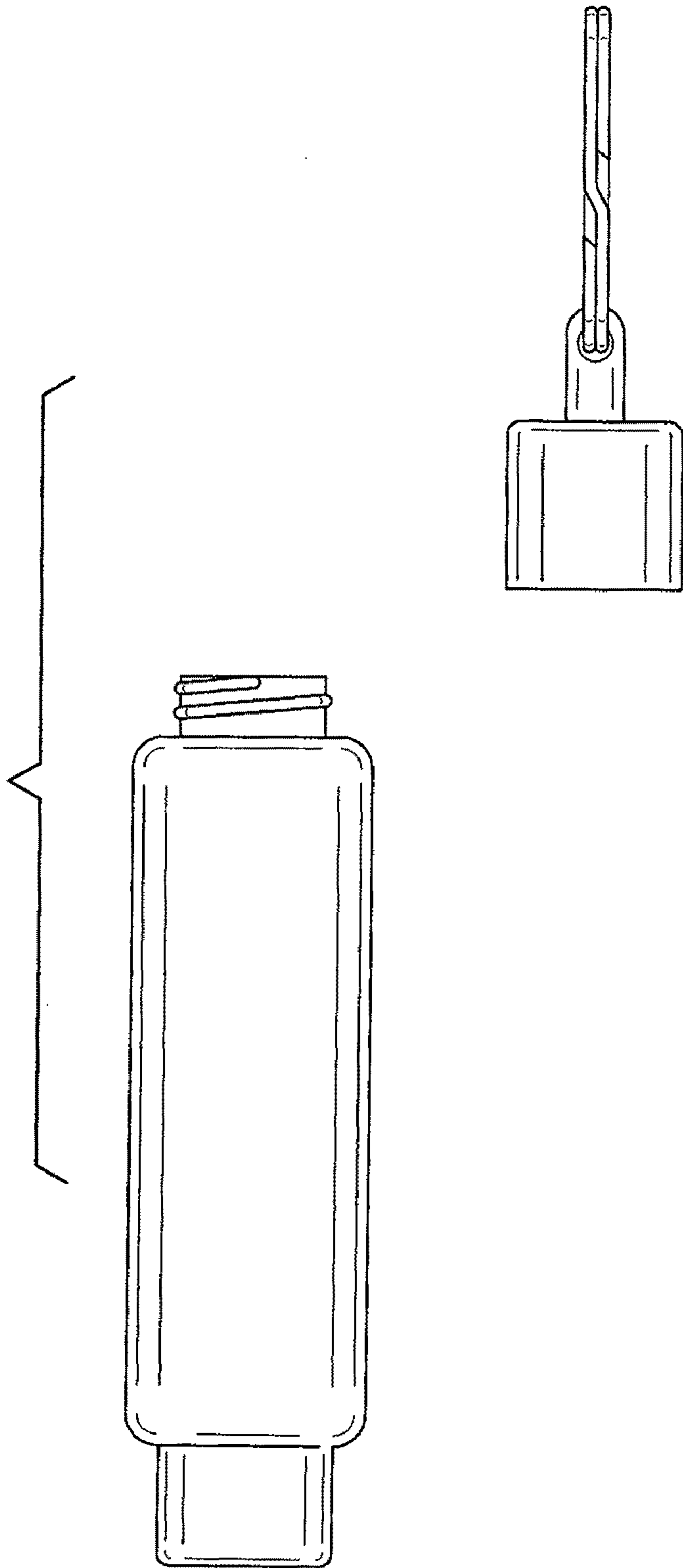


FIG. 5

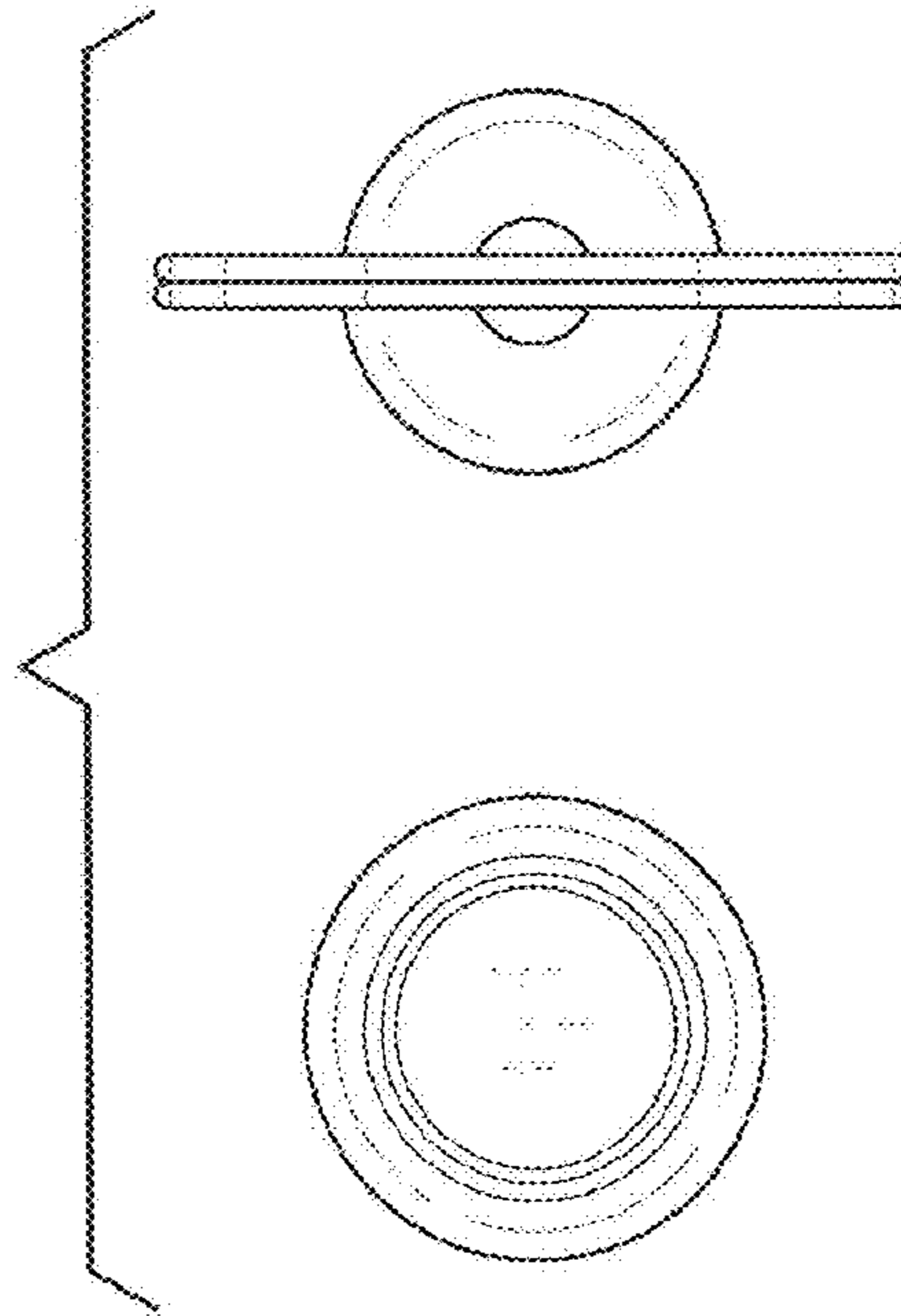


FIG. 6

