



US00D646887S

(12) **United States Design Patent**  
**Gupta**

(10) **Patent No.:** **US D646,887 S**

(45) **Date of Patent:** **\*\* Oct. 18, 2011**

(54) **COVERED BEADING DESIGN BOARD**

(76) Inventor: **Nikhil Gupta**, Schaumburg, IL (US)

(\*\*) Term: **14 Years**

(21) Appl. No.: **29/369,366**

(22) Filed: **Sep. 7, 2010**

**Related U.S. Application Data**

(63) Continuation of application No. 12/008,593, filed on Jan. 11, 2008, now Pat. No. 7,946,423.

(51) **LOC (9) Cl.** ..... **03-01**

(52) **U.S. Cl.** ..... **D3/20**

(58) **Field of Classification Search** ..... D3/18,  
D3/20-26, 203.1, 203.2, 203.3, 304, 310,  
D3/313, 901, 903, 905; D6/406.6; D9/347,  
D9/737; D19/77, 78; D7/553.5, 553.8; D12/416,  
D12/419, 425, 426; 206/214, 216, 561, 557,  
206/558, 563, 564, 566, 574, 575; 220/555,  
220/DIG. 12, 23.4; 294/172; 108/43  
See application file for complete search history.

(56) **References Cited**

**U.S. PATENT DOCUMENTS**

1,201,979	A	10/1916	Noyes	
1,746,054	A	2/1927	Ridabock	
2,282,908	A	3/1940	Thompson	
D206,027	S *	10/1966	Murphy et al.	D3/20
3,280,595	A *	10/1966	Linstead	66/117
D206,409	S *	12/1966	Murphy et al.	D3/20
3,804,239	A	4/1974	O'Brien	

(Continued)

**OTHER PUBLICATIONS**

Rio Grande catalog, "Gems and Findings", Aug. 2002, p. 332, items C and D.\*

*Primary Examiner* — Celia A. Murphy  
*Assistant Examiner* — John Windmuller

(74) *Attorney, Agent, or Firm* — Polster Lieder Woodruff & Lucchesi, LC

(57) **CLAIM**

The ornamental design for a covered beading design board, as shown and described.

**DESCRIPTION**

FIG. 1 is a perspective top view of the covered beading design board of the present invention with the cover in place over the board;

FIG. 2 is a perspective top view of the embodiment shown in FIG. 1, with the cover separated from the board;

FIG. 3 is a top plan view of the covered beading design board of FIG. 1 with the cover in place over the board, the bottom plan view is substantially identical;

FIG. 4 is a left side view of the covered beading design board of FIG. 1 with the cover in place over the board, the right side view is substantially identical;

FIG. 5 is the front side view of the covered beading design board of FIG. 1 with the cover in place over the board, the back side view is substantially identical;

FIG. 6 is a top plan view of the covered beading design board of FIG. 1, with the cover removed;

FIG. 7 is a left side view of the covered beading design board of FIG. 6 with the cover removed, the right side view is substantially identical;

FIG. 8 is the front side view of the covered beading design board of FIG. 6 with the cover removed, the back side view is substantially identical;

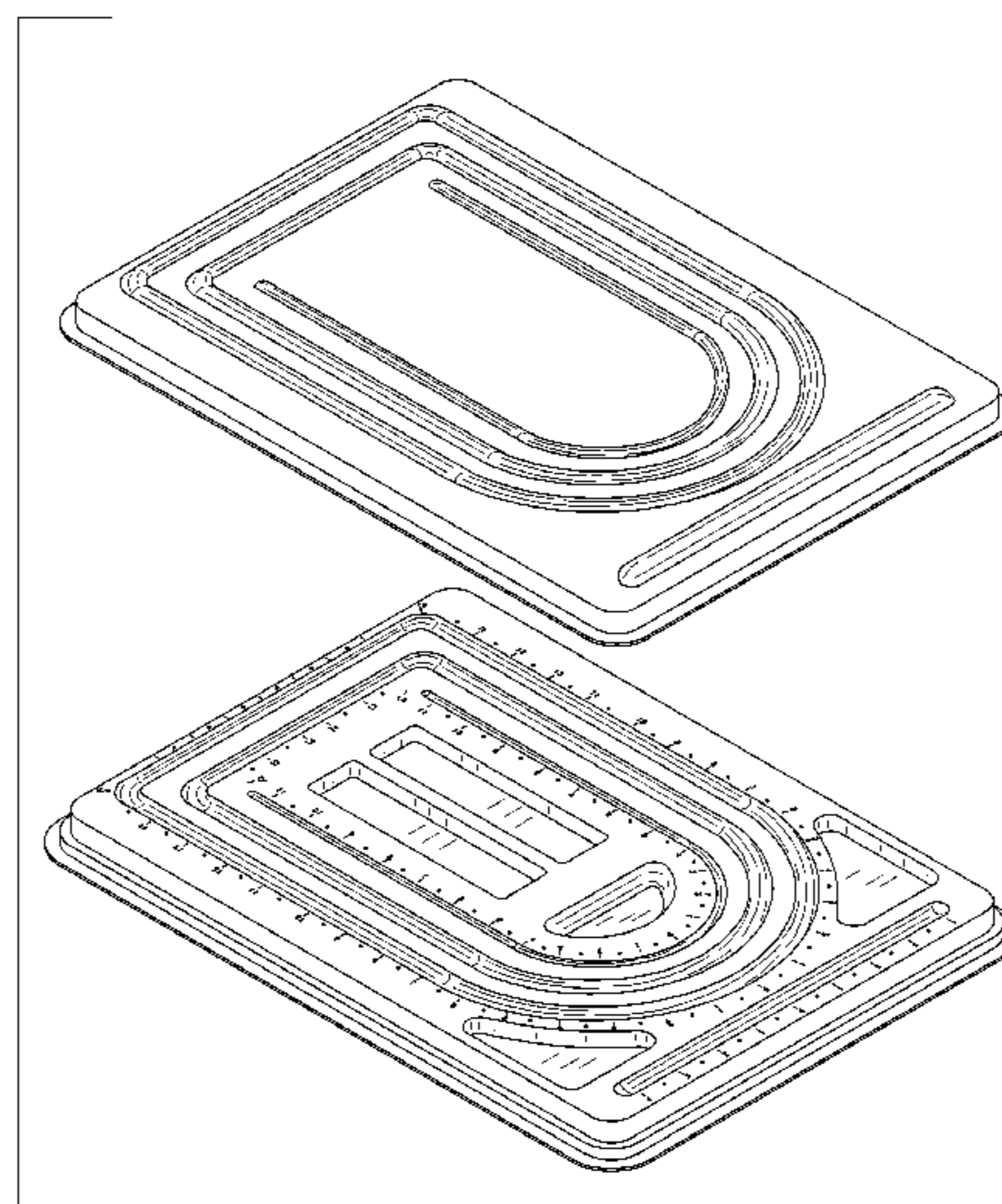
FIG. 9 is a bottom plan view of the covered beading design board of FIG. 1;

FIG. 10 is a top plan view of the cover of the covered beading design board of FIG. 1, the bottom plan view is substantially identical;

FIG. 11 is a left side view of the cover of the covered beading design board of FIG. 1, the right side plan view is substantially identical; and,

FIG. 12 is a front plan view of the cover of the covered beading design board of FIG. 1, the back side plan view is substantially identical.

**1 Claim, 5 Drawing Sheets**



# US D646,887 S

Page 2

---

U.S. PATENT DOCUMENTS			
D255,310	S *	6/1980	Spencer ..... D7/553.5
D275,453	S *	9/1984	Bankier ..... D9/415
4,720,012	A	1/1988	Dufour
4,848,586	A	7/1989	Jasik
5,353,921	A	10/1994	Tyra
5,540,324	A *	7/1996	Knapp ..... 206/6.1
5,944,862	A *	8/1999	Howes ..... 65/60.3
D504,563	S *	5/2005	Broussard et al. .... D3/20
7,367,449	B2	5/2008	Kaminski et al.
2005/0178693	A1 *	8/2005	Gupta ..... 206/574
2005/0211138	A1 *	9/2005	Gupta ..... 108/43
2005/0279745	A1 *	12/2005	Gupta ..... 220/23.4
2008/0011770	A1	1/2008	Tobias
2008/0169219	A1 *	7/2008	Gupta ..... 206/564
2009/0038901	A1	2/2009	Pomerantz
2010/0200436	A1 *	8/2010	Gupta ..... 206/205

\* cited by examiner

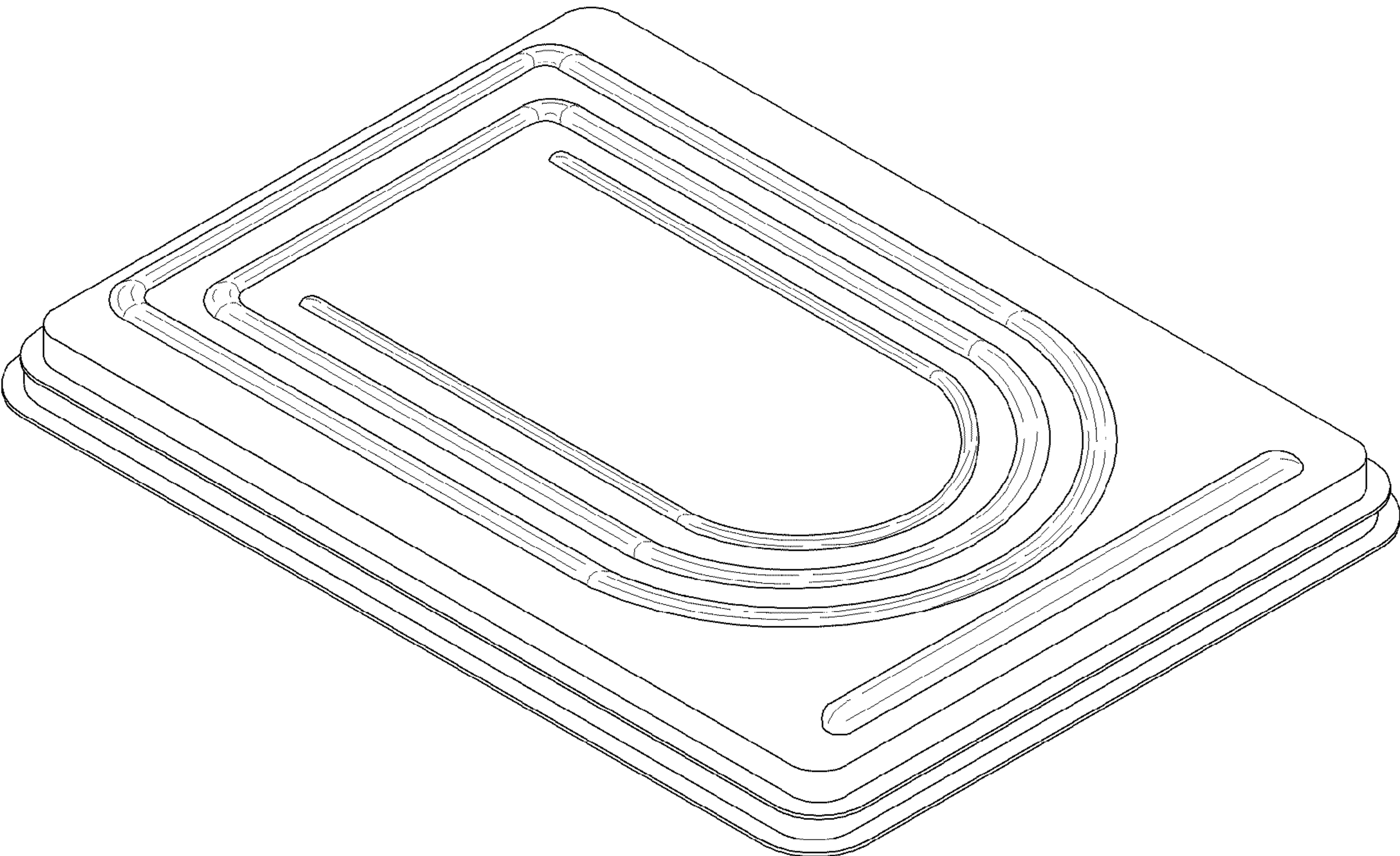


FIG. 1



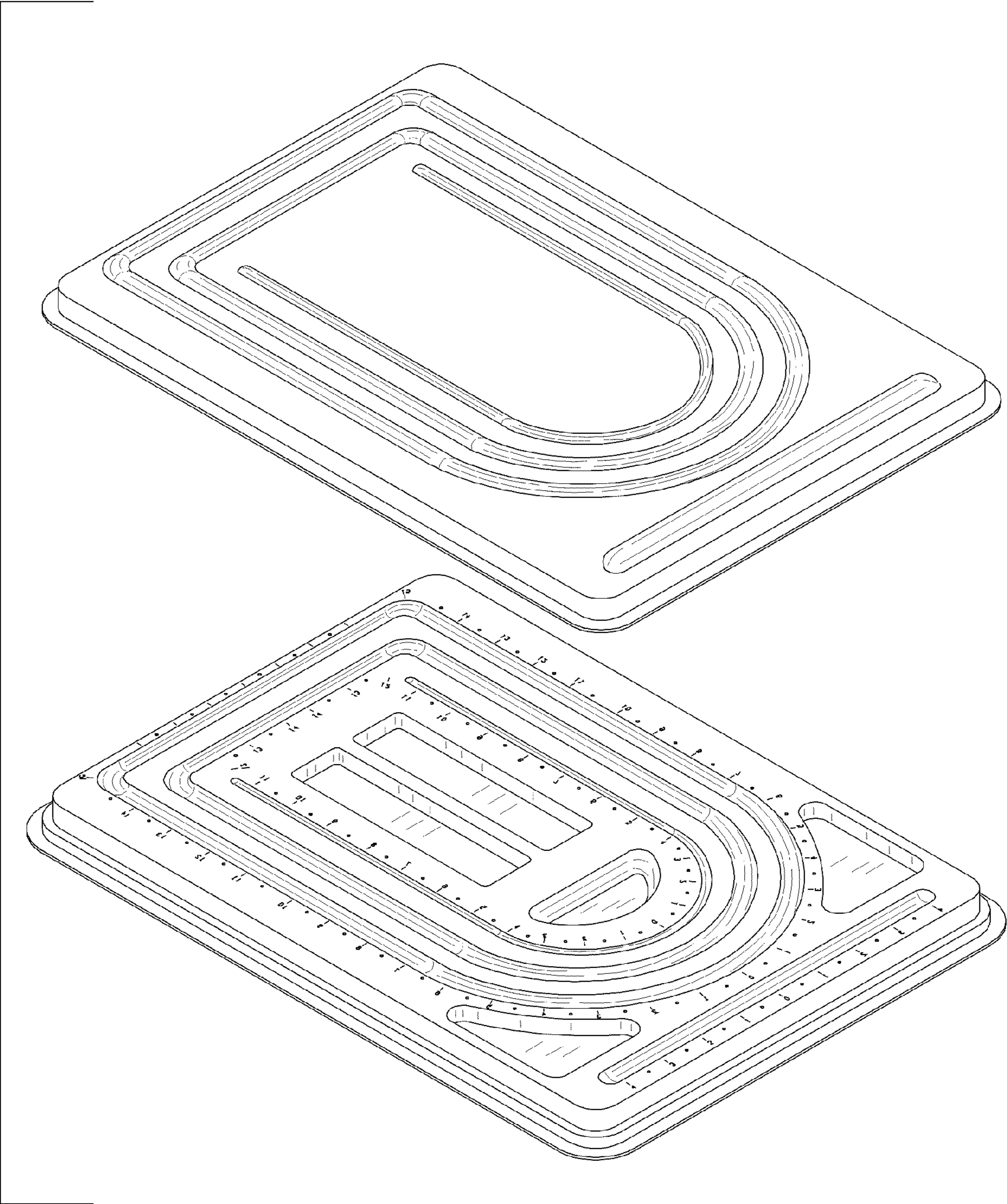


FIG. 2

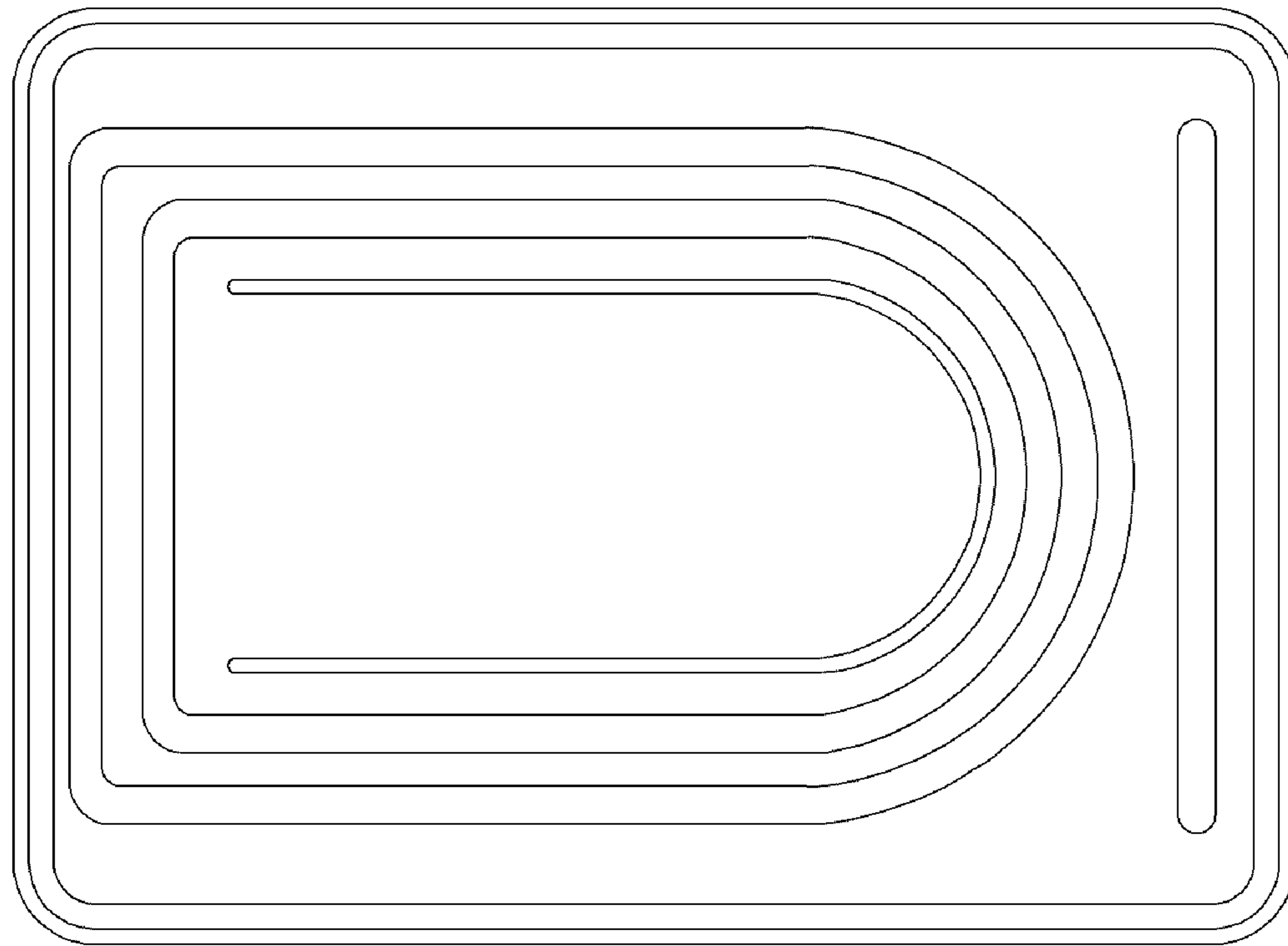


FIG. 3

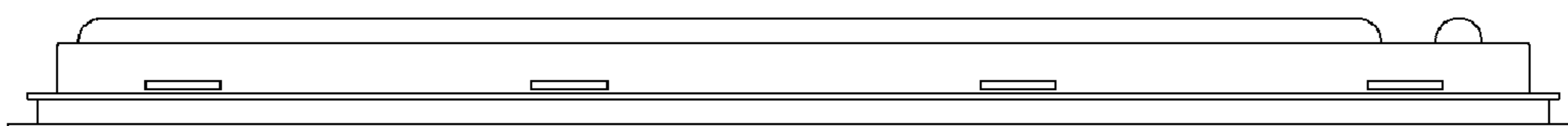


FIG. 4

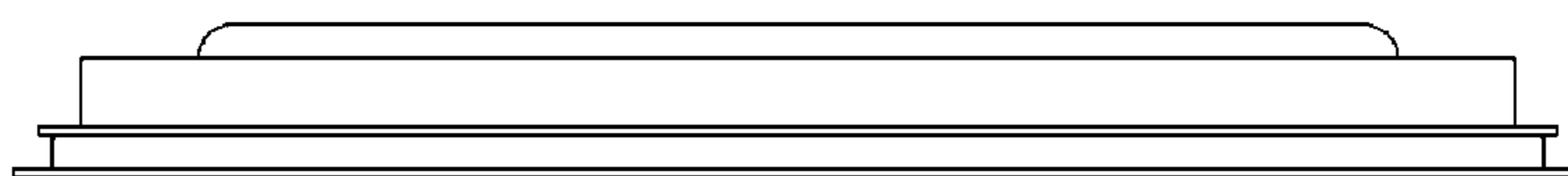


FIG. 5

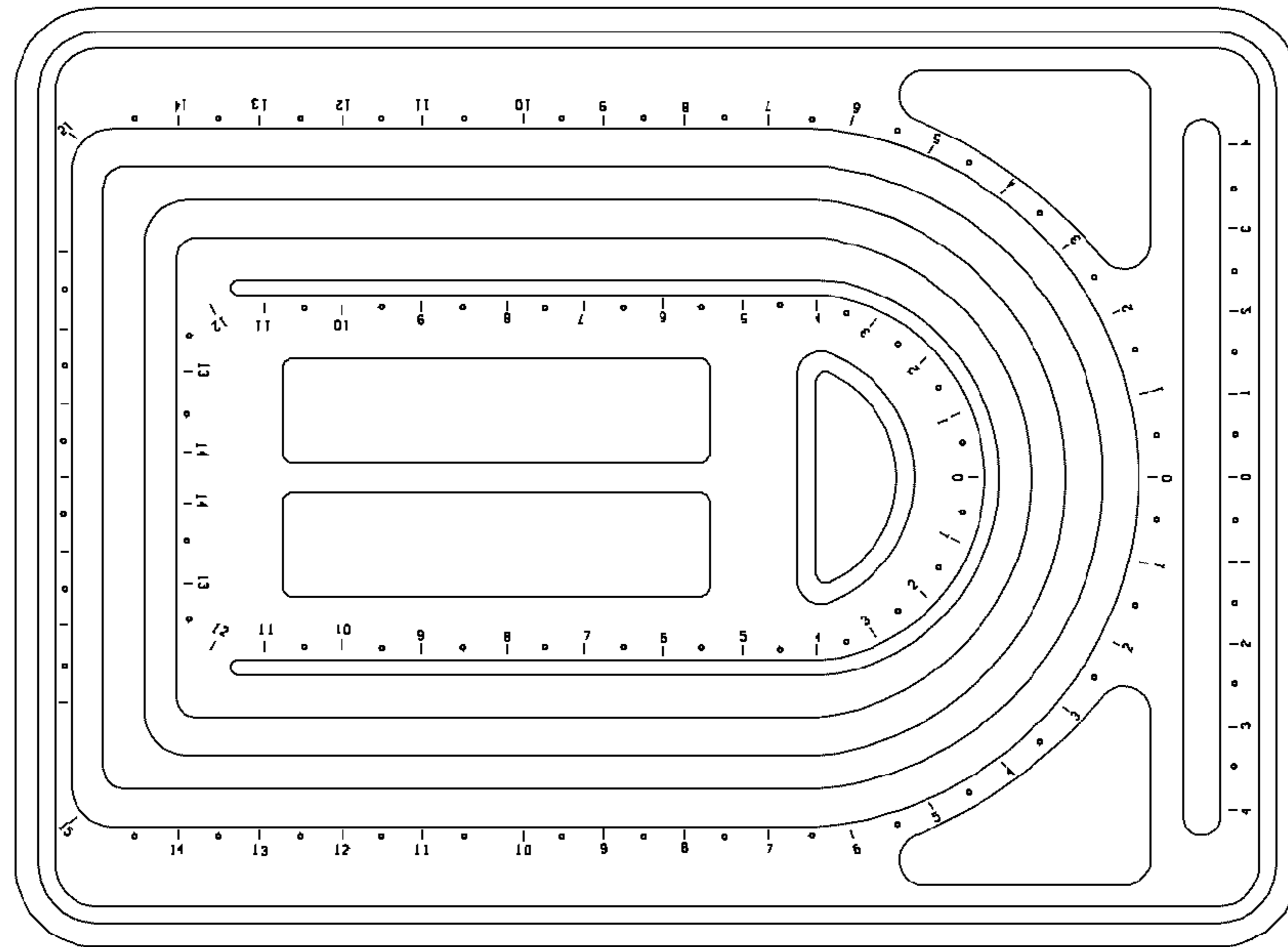


FIG. 6

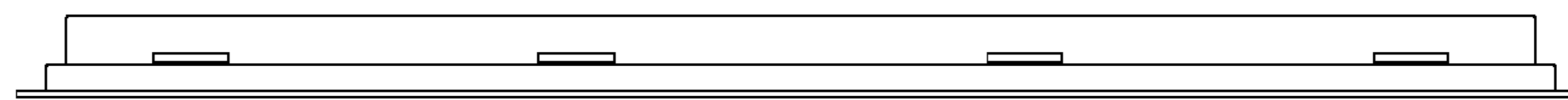


FIG. 7

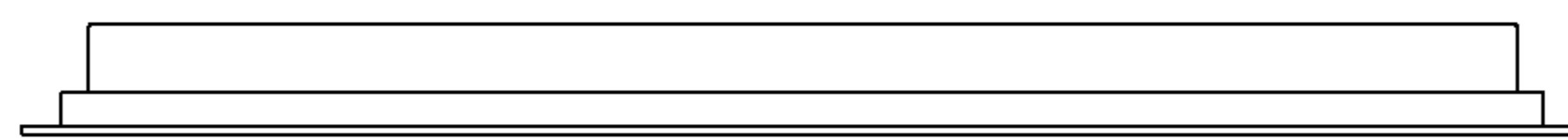


FIG. 8

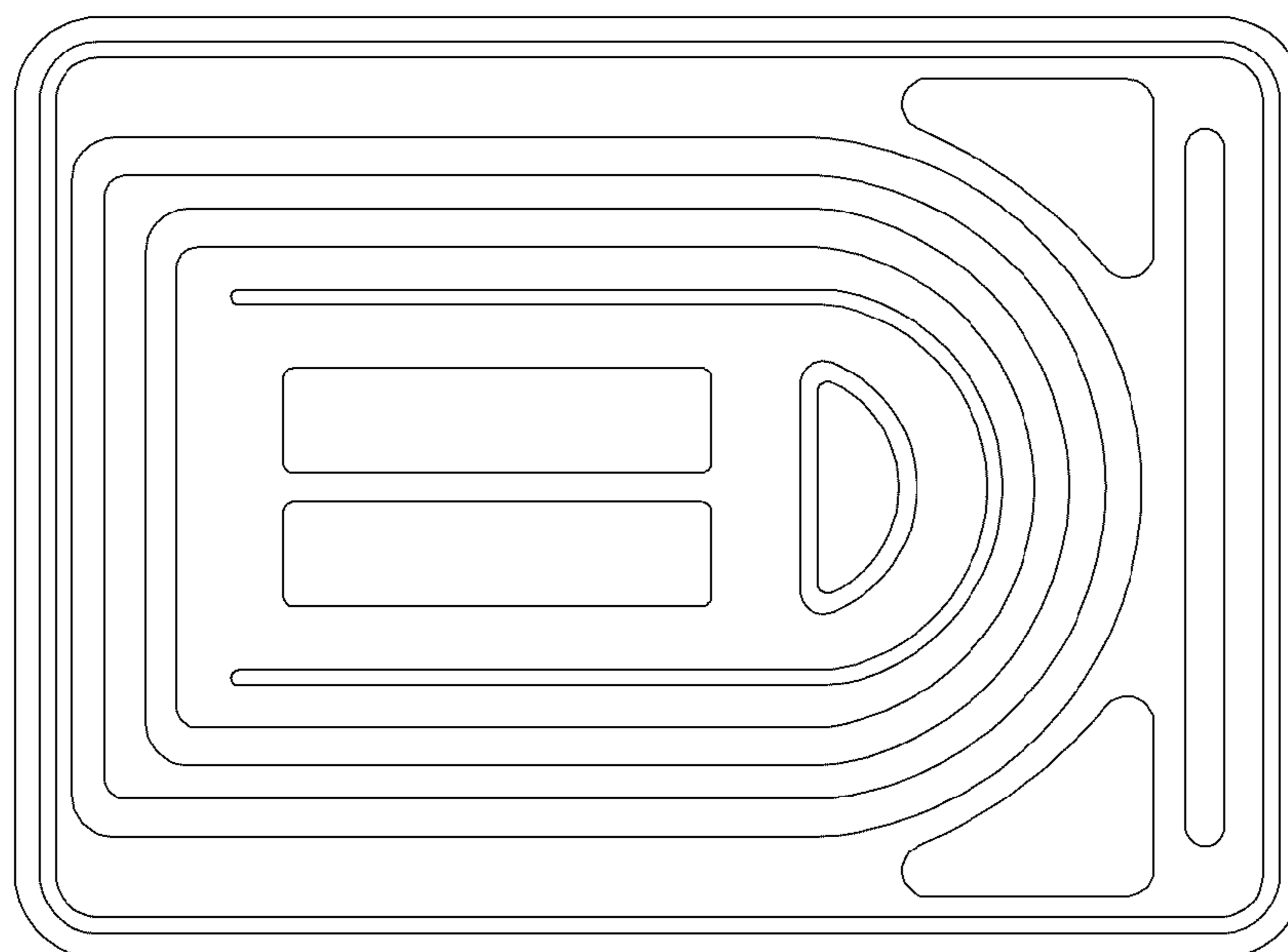


FIG. 9

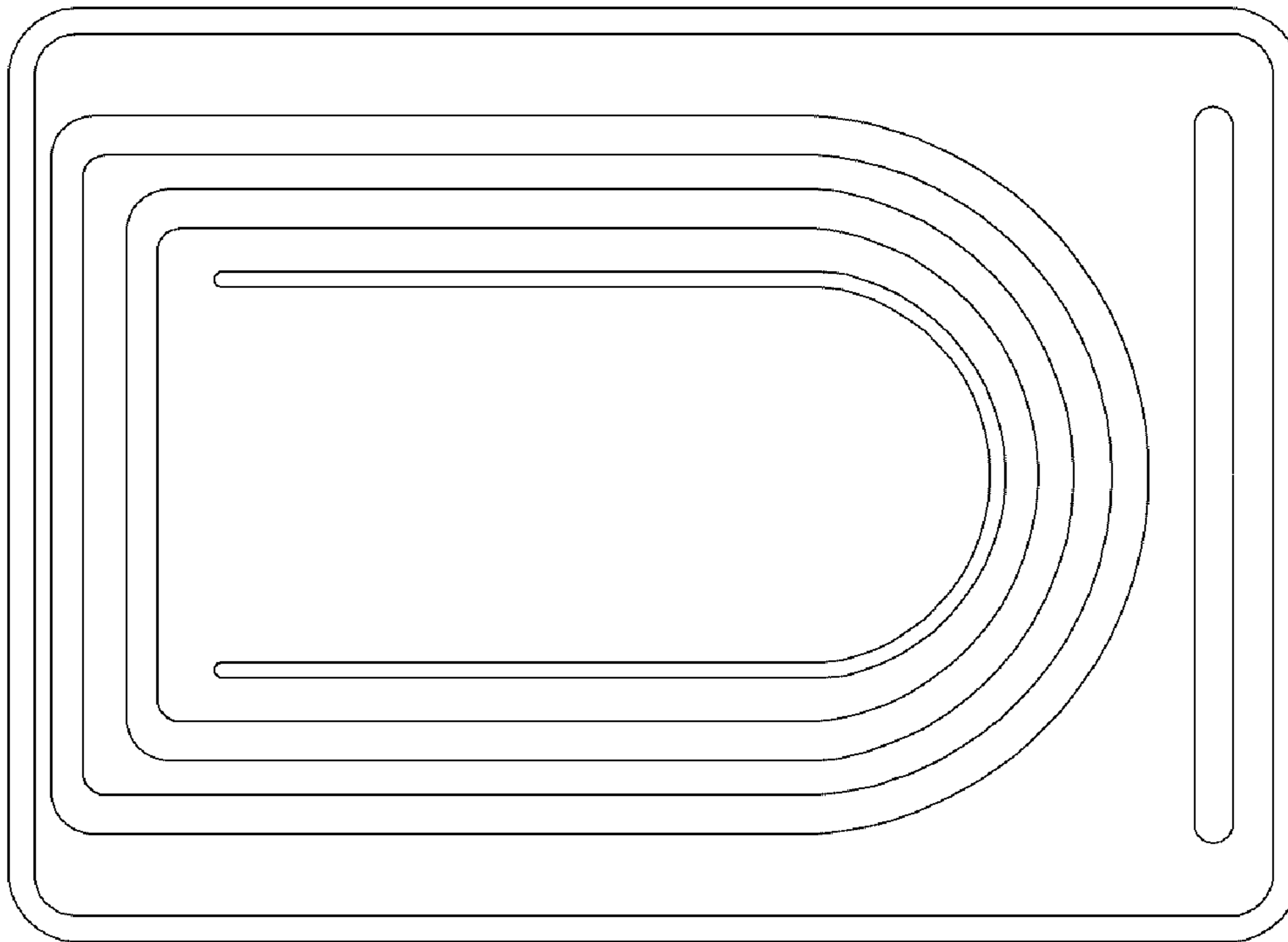


FIG. 10

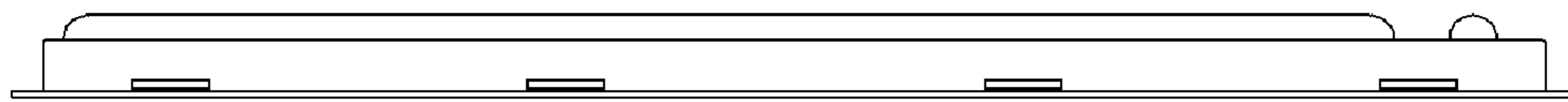


FIG. 11

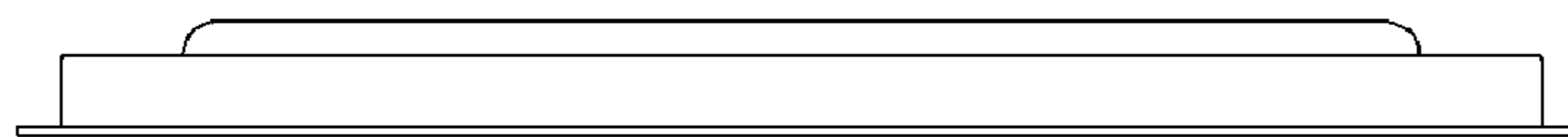


FIG. 12