



US00D646864S

(12) **United States Design Patent**
Uhl et al.

(10) **Patent No.:** **US D646,864 S**
(45) **Date of Patent:** **** Oct. 11, 2011**

(54) **SUPERSTRUCTURE FOR RECEIVING
ROTATABLE LIFT ARMS IN AN
AUTOMOTIVE VEHICLE LIFT**

3,334,706 A 8/1967 Dayson
3,415,342 A 12/1968 Hott
3,489,248 A 1/1970 Clarke
3,724,602 A * 4/1973 Hernick 187/216
3,775,026 A 11/1973 Hewlings

(75) Inventors: **John E. Uhl**, Madison, IN (US); **Kevin
A. Brittain**, Madison, IN (US)

(Continued)

(73) Assignee: **Vehicle Service Group, LLC**, Madison,
IN (US)

FOREIGN PATENT DOCUMENTS

DE 1 209 268 1/1966

(Continued)

(**) Term: **14 Years**

OTHER PUBLICATIONS

(21) Appl. No.: **29/385,339**

International Search Report dated Apr. 6, 2011 for Application No.
PCT/US2011/024494.

(22) Filed: **Feb. 11, 2011**

(Continued)

Related U.S. Application Data

(63) Continuation of application No. 13/025,769, filed on
Feb. 11, 2011.

Primary Examiner — Cynthia Ramirez

(74) *Attorney, Agent, or Firm* — Frost Brown Todd LLC

(51) **LOC (9) Cl.** **12-05**

(52) **U.S. Cl.** **D34/35**

(58) **Field of Classification Search** D34/28,
D34/35; 187/205, 210, 216, 218, 219, 221,
187/214, 272, 267; 254/92, 98

(57) **CLAIM**

The ornamental design for a superstructure for receiving
rotatable lift arms in an automotive vehicle lift, as shown and
described.

See application file for complete search history.

DESCRIPTION

(56) **References Cited**

FIG. 1 is a top perspective view of a superstructure for receiving
rotatable lift arms in an automotive vehicle lift, showing
our new design;

U.S. PATENT DOCUMENTS

942,755 A	12/1909	Schollmeyer
1,055,099 A	3/1913	Sullivan
1,870,128 A	8/1932	Lunati
1,889,185 A	11/1932	Stukenborg
1,899,534 A	2/1933	Steedman
1,915,024 A	6/1933	Logette et al.
1,919,156 A	7/1933	Banning, Jr.
1,985,510 A	12/1934	Lunati
2,640,977 A	3/1953	Parisi
2,844,218 A	7/1958	Hott
2,956,581 A	10/1960	Pearson
3,061,044 A	10/1962	Shotmeyer
3,237,723 A	3/1966	Halstead
3,279,562 A	10/1966	Farrell
3,331,470 A	7/1967	Hott

FIG. 2 is a bottom perspective view thereof;

FIG. 3 is a rear perspective view thereof;

FIG. 4 is a front elevational view thereof;

FIG. 5 is a back elevational view thereof;

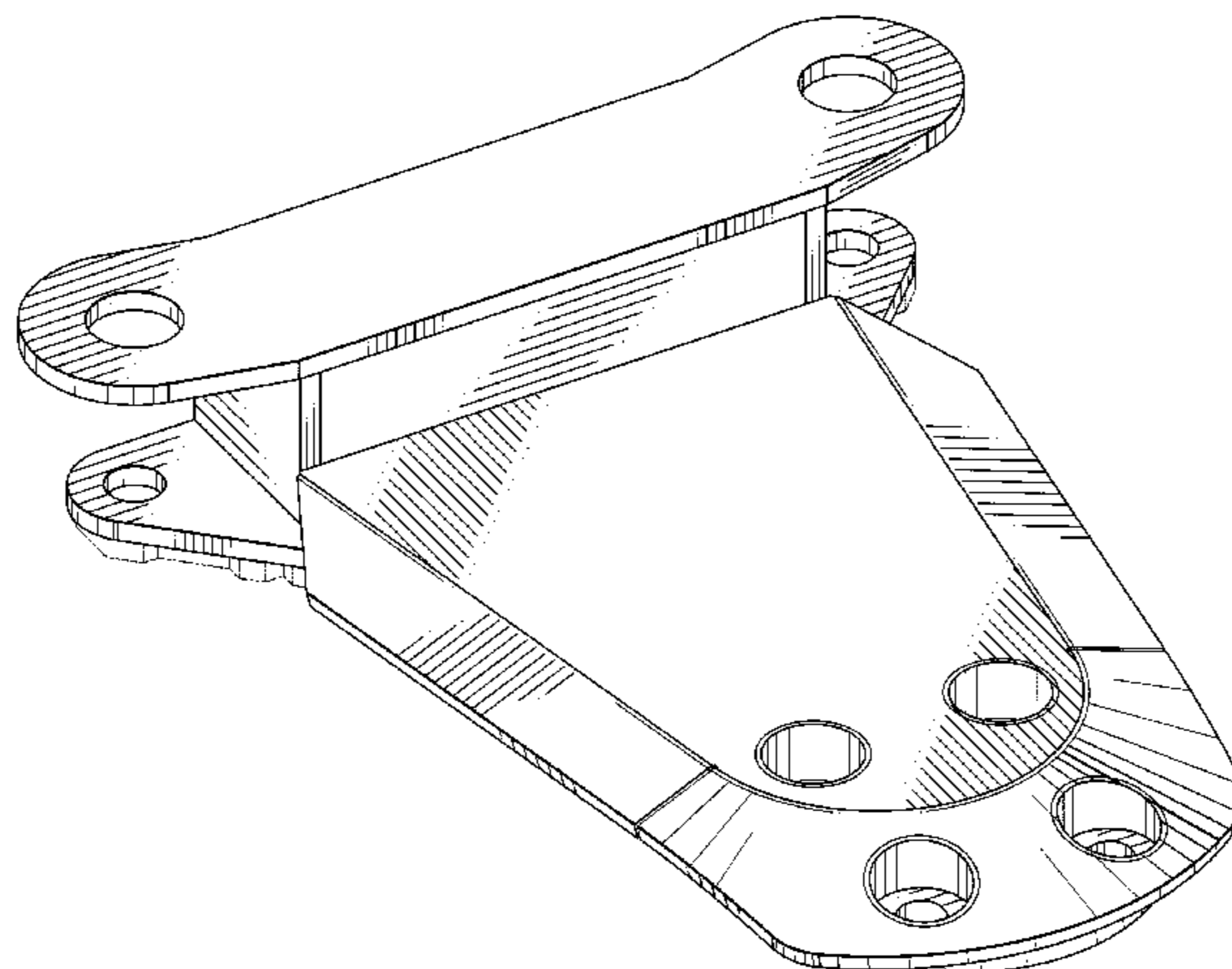
FIG. 6 is a left side elevational view thereof, the right side
being a mirror image thereof;

FIG. 7 is a top plan view thereof; and,

FIG. 8 is a bottom plan view thereof.

The lower plate structures shown in broken lines are
unclaimed environment, and form no part of the claimed
design.

1 Claim, 8 Drawing Sheets



US D646,864 S

Page 2

U.S. PATENT DOCUMENTS

3,892,292 A 7/1975 Takenoshita et al.
3,981,619 A 9/1976 Mitter
4,022,428 A 5/1977 Mantha
4,452,340 A 6/1984 Hernick et al.
4,687,078 A 8/1987 Wilson
4,700,748 A 10/1987 Fossati et al.
4,726,450 A 2/1988 Fossati et al.
4,763,761 A 8/1988 McKinsey et al.
4,830,146 A 5/1989 Nakamura et al.
4,830,147 A 5/1989 Kawada
4,848,732 A 7/1989 Rossato
5,014,824 A 5/1991 Fargo
5,050,844 A 9/1991 Hawk
5,096,159 A 3/1992 Fletcher
5,099,956 A 3/1992 Curran
5,143,179 A 9/1992 Hornstein
5,190,122 A 3/1993 Fletcher et al.
5,199,686 A 4/1993 Fletcher
5,259,482 A 11/1993 Proulx et al.
D343,488 S 1/1994 Fletcher
5,299,658 A 4/1994 Cox et al.
5,322,143 A 6/1994 Curran
5,404,968 A 4/1995 Fletcher
5,501,296 A * 3/1996 Fletcher 187/210
5,501,299 A 3/1996 Holmes

5,518,220 A 5/1996 Bertrand et al.
5,573,083 A 11/1996 Fletcher et al.
5,678,253 A 10/1997 Baker
5,709,286 A 1/1998 Mead et al.
5,740,886 A 4/1998 Fletcher
5,969,619 A 10/1999 Niemiro et al.
6,244,390 B1 6/2001 Yeo et al.
6,571,919 B1 6/2003 Stewart
6,814,187 B2 11/2004 Brown et al.
2002/0029934 A1 * 3/2002 Gradziuk 187/216
2004/0011594 A1 * 1/2004 Stewart 187/213
2009/0188758 A1 * 7/2009 Grotz et al. 187/210
2009/0288918 A1 * 11/2009 Schmitt 187/216
2010/0108445 A1 * 5/2010 Kritzer 187/218

FOREIGN PATENT DOCUMENTS

DE 4 028 484 3/1992
FR 1 279 190 12/1961
GB 1 072 375 6/1967
WO WO 96/31292 10/1996

OTHER PUBLICATIONS

Written Opinion dated Apr. 6, 2011 for Application No. PCT/US2011/024494.

* cited by examiner

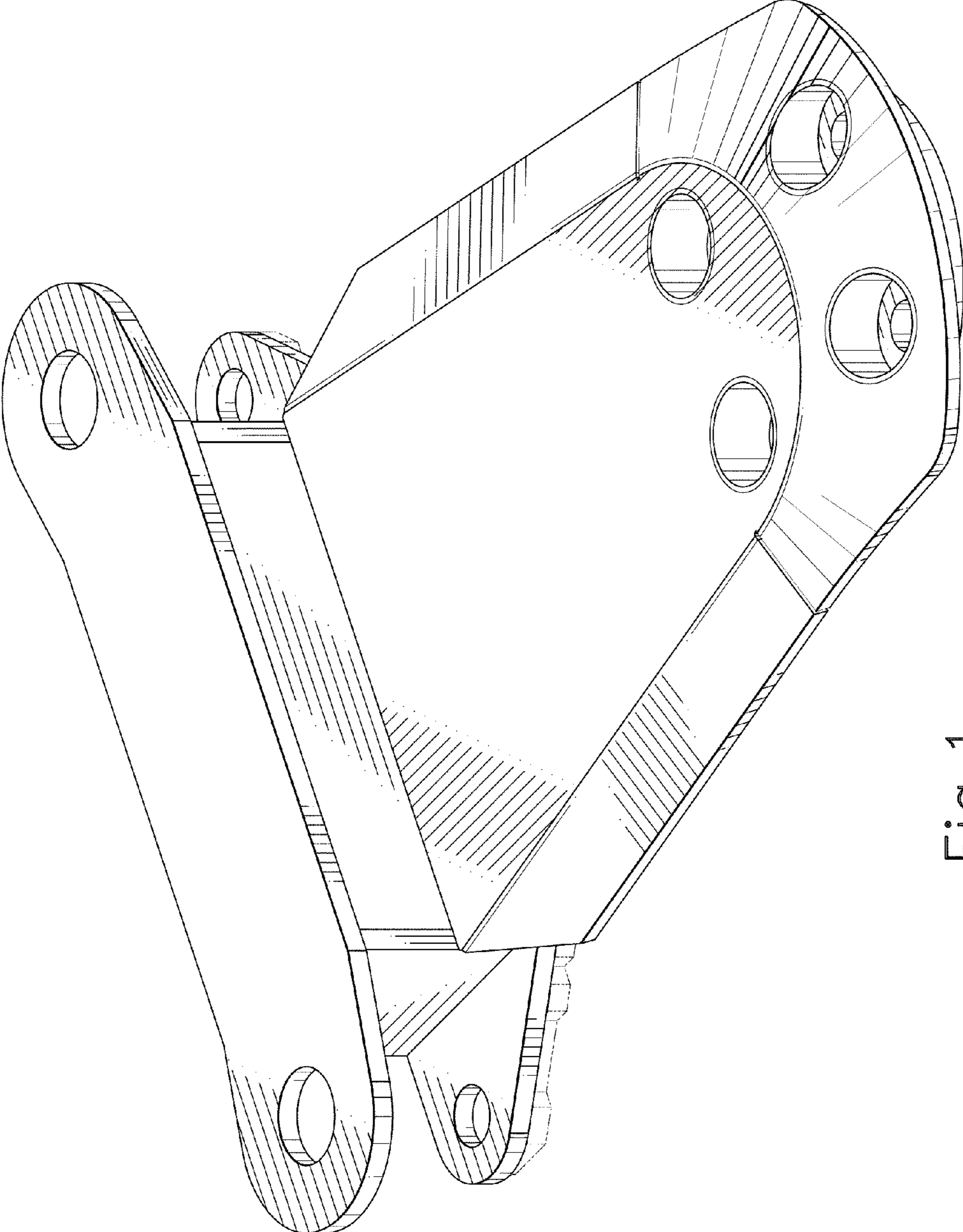


Fig. 1

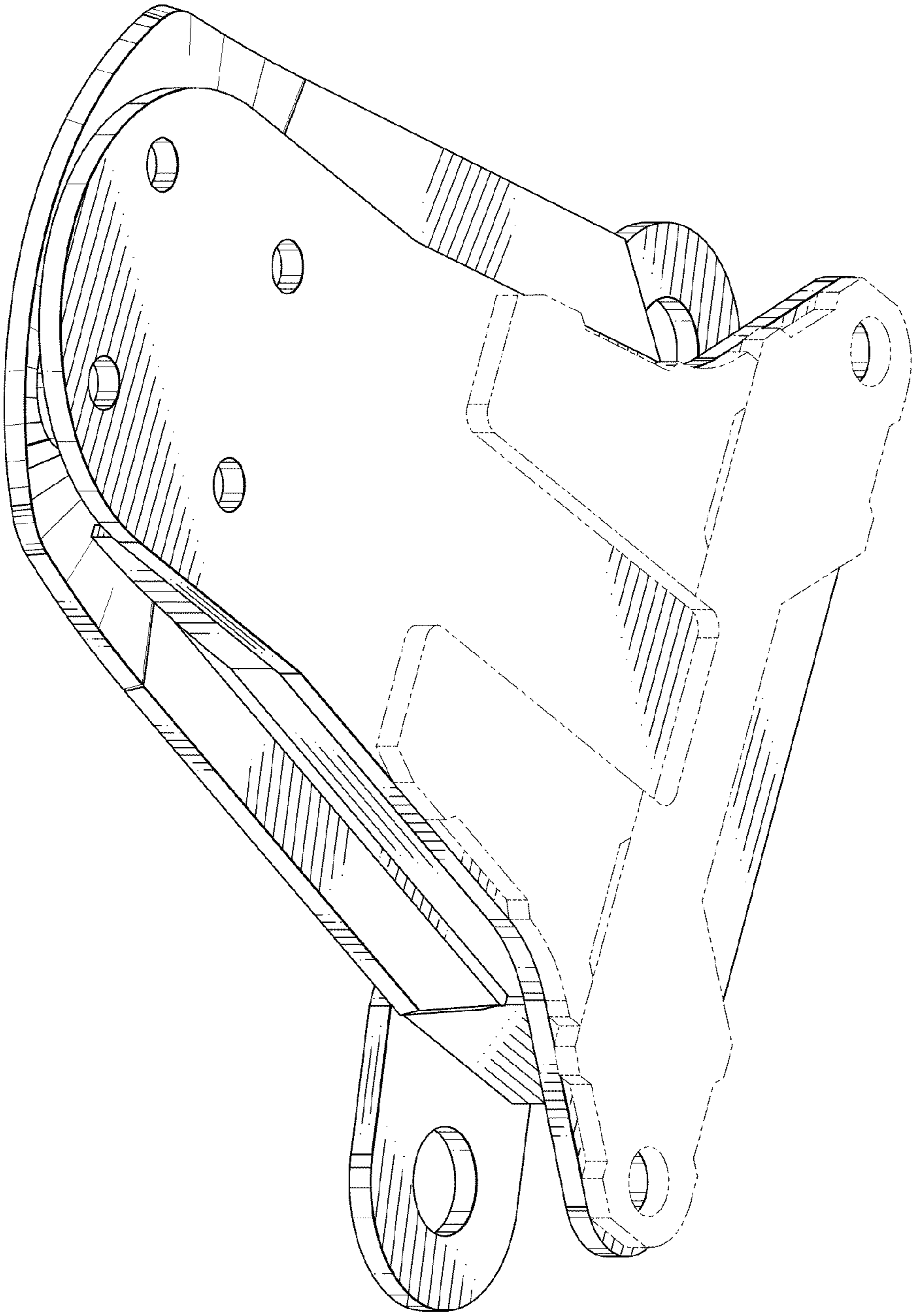


Fig. 2

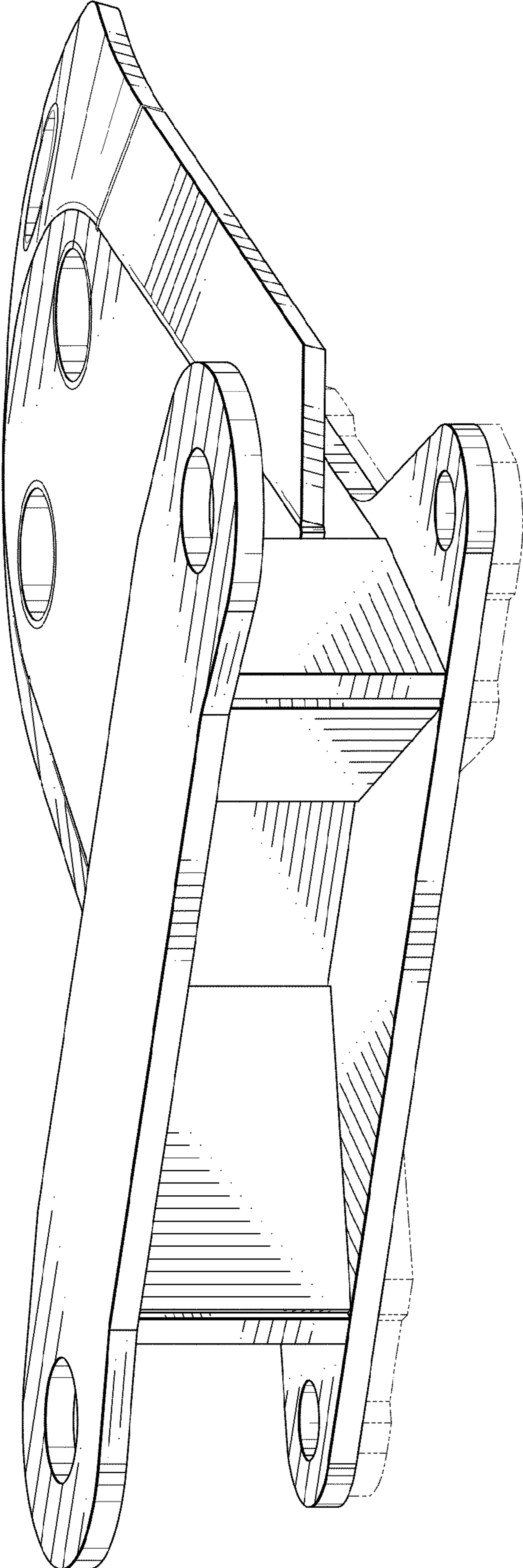


Fig. 3

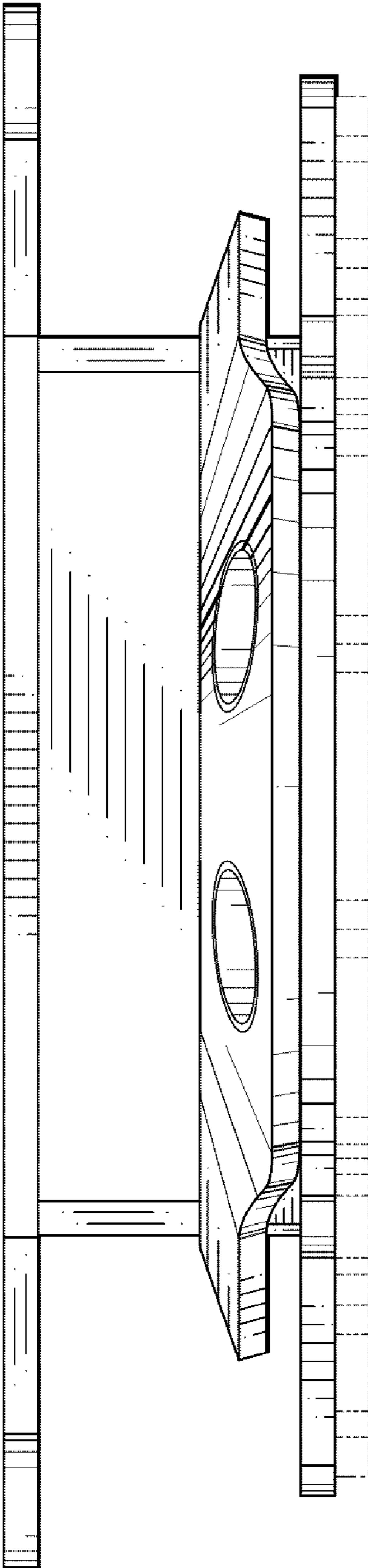


Fig. 4

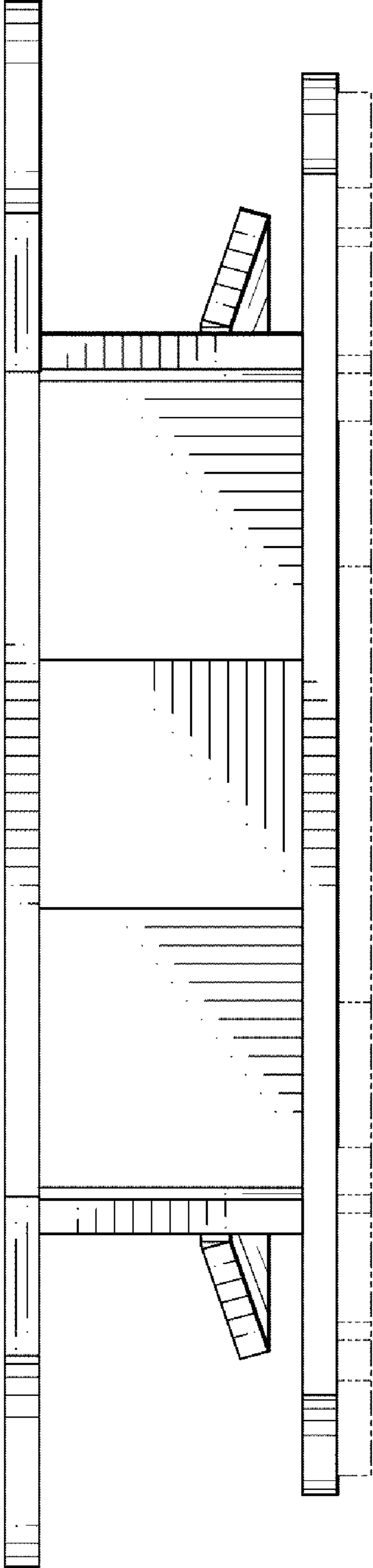


Fig. 5

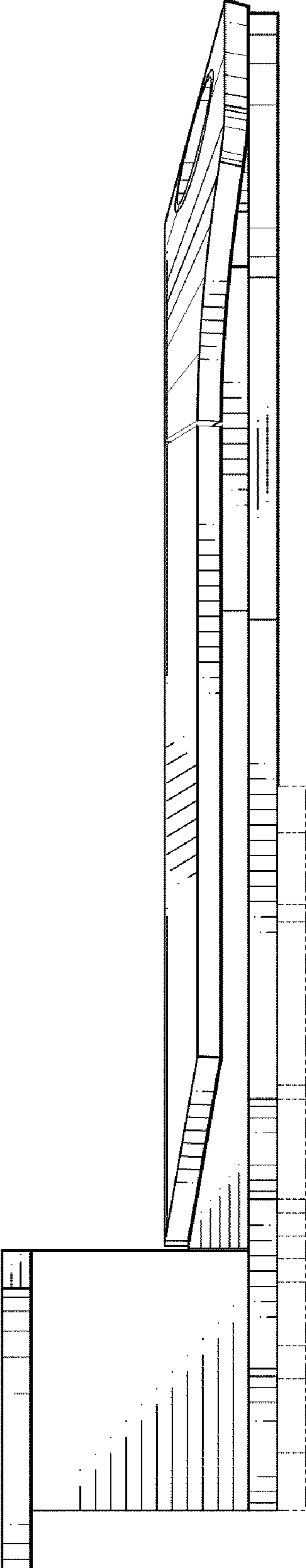


Fig. 6

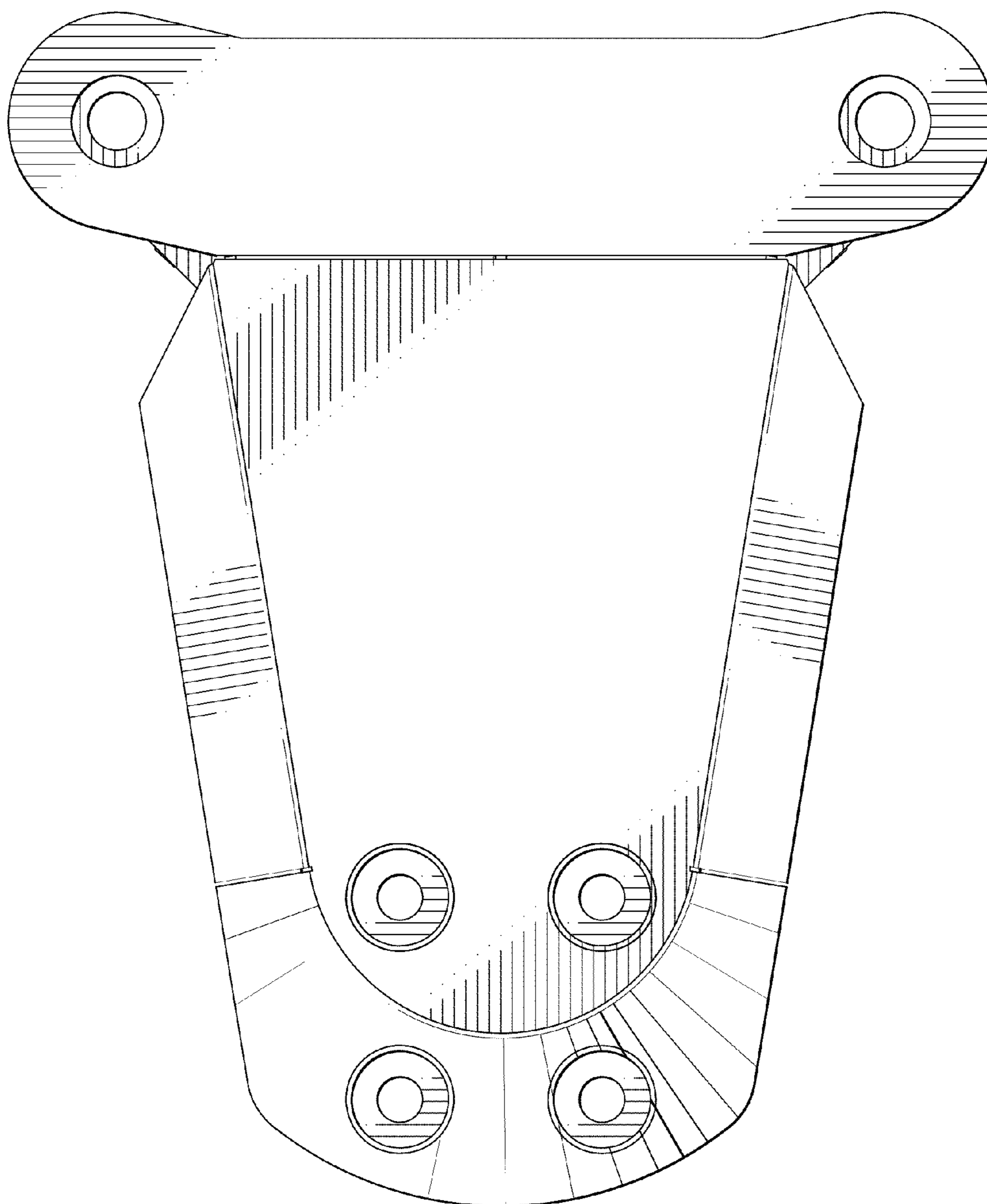


Fig.7

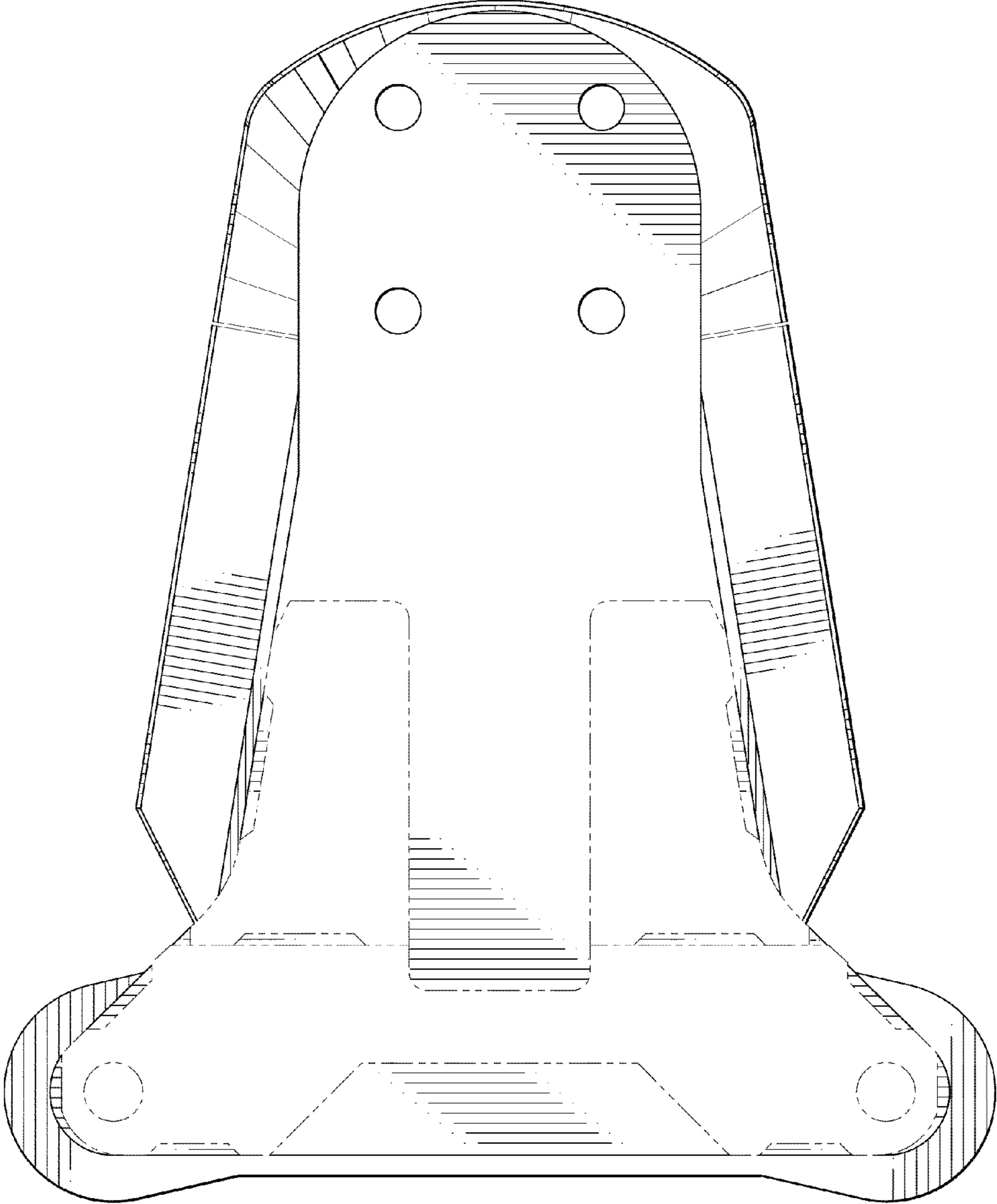


Fig.8